



INSTALLATION INSTRUCTIONS FOR PART 99-8153

APPLICATIONS

LEXUS LS SERIES

1995-2000

***NOT FOR USE IN VEHICLES
WITH FACTORY NAVIGATION***

99-8153

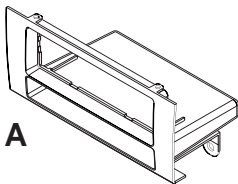
KIT FEATURES

- DIN Radio Provision with Pocket
- ISO Mount Radio Provision with Pocket

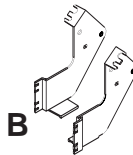


KIT COMPONENTS

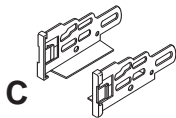
A) Radio Housing • B) Radio Housing Brackets • C) ISO Brackets • D) Trim Plate



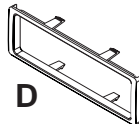
A



B



C



D

TOOLS REQUIRED:

- Small Flat Blade Screwdriver/ Panel Removal Tool
- Phillips Screwdriver • Socket Set



1-800-221-0932



www.metraonline.com

© COPYRIGHT 2008 METRA ELECTRONICS CORPORATION



TABLE OF CONTENTS

Dash Disassembly

- Lexus LS Series 1995-20001

Kit Preparation 2

Kit Assembly

- DIN Radio Provision with Pocket3

- ISO Mount Radio Provision with Pocket4

Final Assembly5

***Note:**

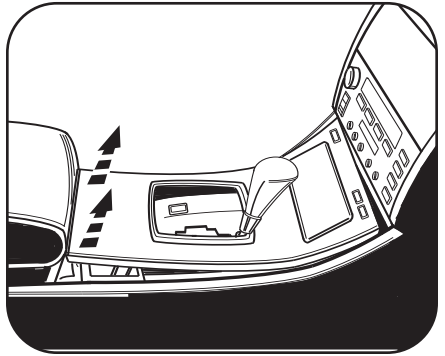
Refer also to the instructions included with the aftermarket radio.

LEXUS LS SERIES 1995-2000

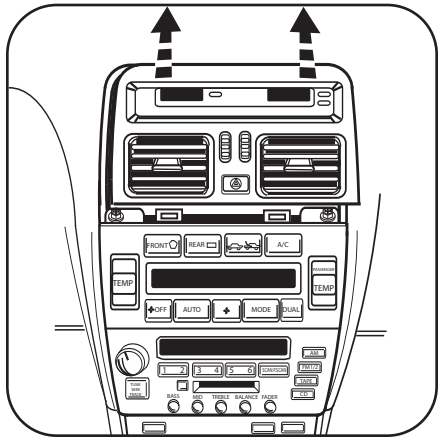
- 1 Disconnect the negative battery terminal to prevent an accidental short circuit.
- 2 Starting at rear of panel surrounding the shifter carefully pry up and out to remove entire panel including ashtray. (Figure A)
- 3 Using a panel removal tool or small flat blade screwdriver gently pry out on the top of the A/C vent assembly (including clock) and remove. (Figure B)
- 4 Remove (4) screws securing the factory radio/climate control assembly. Unplug and remove the assembly. (Figure C)
- 5 Remove (2) screws securing factory climate control to the assembly. Remove the climate control from the assembly and retain it for re-use during kit assembly. (Figure D)

Continue to kit assembly.

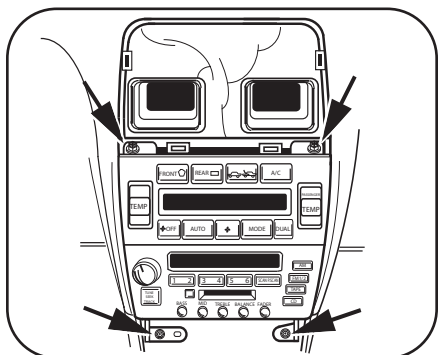
A



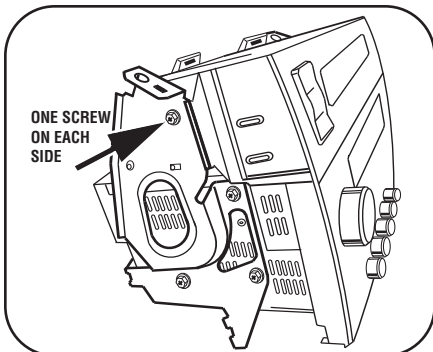
B



C



D



LEXUS LS SERIES 1995-2000

DIN RADIO PROVISION WITH POCKET

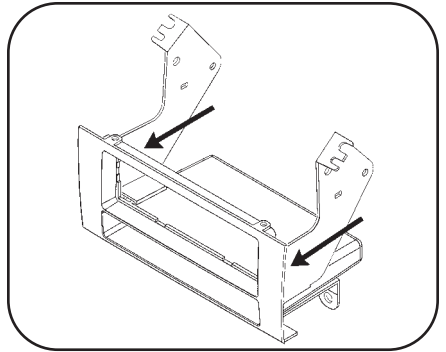
ISO MOUNT RADIO PROVISION WITH POCKET

Note: Refer also to the instructions included with the aftermarket radio.

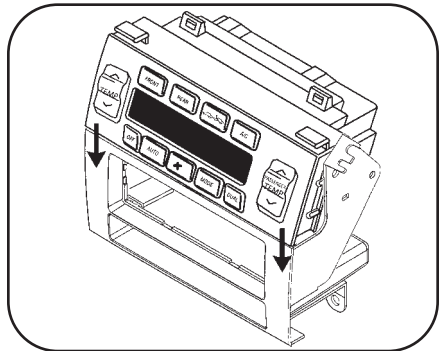
- 1** Slide the corresponding bracket onto the 99-8153 until side clips engage. (Figure A)
- 2** Slide the factory climate controls into the 99-8153 aligning holes in top of kit with alignment pins in the bottom of the climate controls and secure using the factory hardware. (Figure B)

Continue to final assembly.

A



B



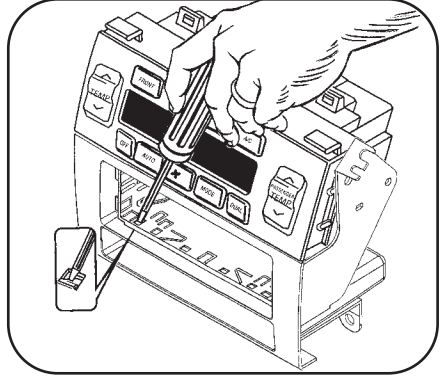
DIN RADIO PROVISION WITH POCKET

**Note: Refer also to the instructions included with the aftermarket radio.*

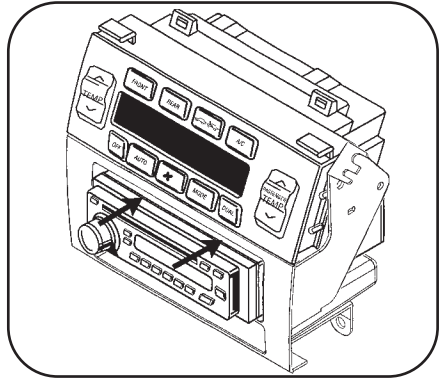
- 1 Slide the DIN cage into the Radio Housing and secure by bending the metal locking tabs outward. (Figure A)
- 2 Slide the aftermarket radio into the cage until it snaps into place. (Figure B)

Continue to final assembly.

A



B



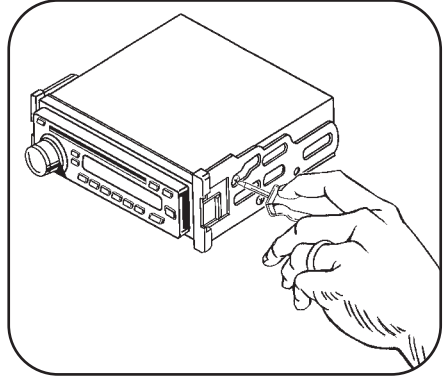
ISO MOUNT RADIO PROVISION WITH POCKET

**Note: Refer also to the instructions included with the aftermarket radio.*

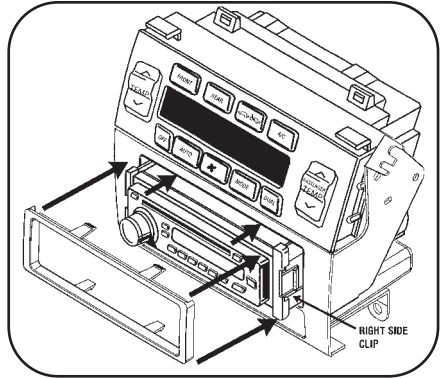
- 1** Mount the ISO Brackets to the radio with the screws supplied with the radio. (Figure A)
- 2** Slide the radio into the radio housing until it snaps into place. (Figure B)
- 3** Attach the radio housing trim plate supplied with the kit to the assembly. (Figure B)

Continue to final assembly.

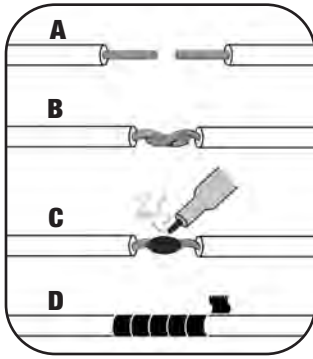
A



B



FINAL ASSEMBLY



- (A) Strip wire ends back 1/2"**
- B) Twist ends together**
- C) Solder**
- D) Tape**

- 1** Locate the factory wiring harness in the dash. Metra recommends using the proper mating adapter and making connections as shown. (Isolate and individually tape off the ends of any unused wires to prevent electrical short circuit.)
- 2** Re-connect the negative battery terminal and test the unit for proper operation.
- 3** Reassemble radio and dash assemblies in reverse order of disassembly.

FINAL WIRING CONNECTIONS

Make wiring connections using the EIA color code chart shown below and the instructions included with the head unit. Metra recommends making connections as shown below; Strip, Splice, Solder, Tape. Isolate and individually tape off ends of any unused wires to prevent electrical short circuit.

METRA / EIA WIRING CODE

12V Ignition / Acc. Red	Right Front (+) Gray
12V Batt / Memory. Yellow	Right Front (-). Gray/ Black
Ground. Black*	Left Front (+) White
Power Antenna. Blue	Left Front (-). White / Black
Amp Turn-On Blue / White	Right Rear (+) Violet
Amp Ground. Black / White	Right Rear (-). Violet / Black
Illumination Orange	Left Rear (+) Green
Dimmer Orange / White	Left Rear (-). Green / Black

***NOTE:** When a Black wire is not present, ground radio to vehicle chassis.
All colors may not be present on all leads due to manufacturer's specifications.

99-8153 INSTRUCTIONS



1-800-221-0932



www.metraonline.com

REV. 04/29/08 © COPYRIGHT 2008 METRA ELECTRONICS CORPORATION INST99-8153