



## INSTALLATION INSTRUCTIONS FOR PART 99-8212

### APPLICATIONS

# 2004-2008 Toyota Solara

# 99-8212

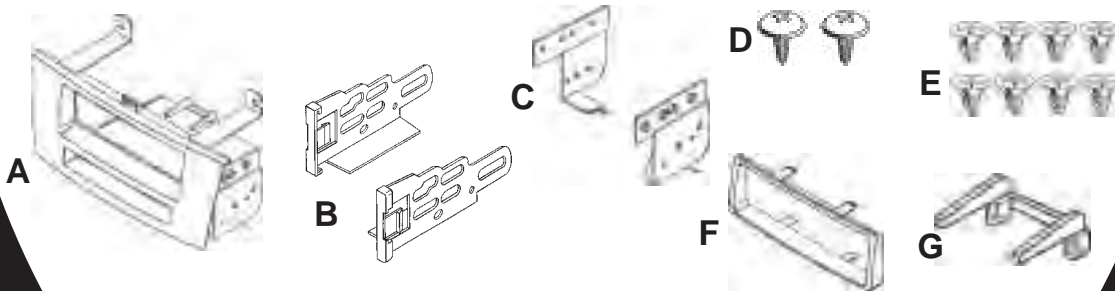


#### KIT FEATURES

- DIN Head Unit Provisions with Pocket
- ISO DIN Head Unit Provisions with Pocket

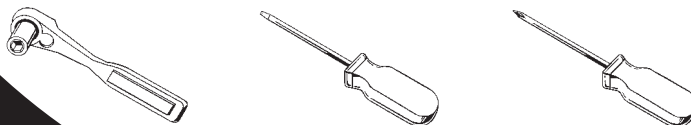
#### KIT COMPONENTS

- A) Radio Housing w/ Pocket • B) ISO Brackets  
C) Radio Housing Brackets • D) (2) PTH-838 Phillips Screws • E) (8) PFH-614 Phillips Screws  
F) Trim Plate • G) X-9002 Radio Support Bracket



#### TOOLS REQUIRED:

- Socket Wrench • Small Flat Blade Screwdriver • Phillips Screwdriver



1-800-221-0932



[www.metraonline.com](http://www.metraonline.com)

© COPYRIGHT 2004-2007 METRA ELECTRONICS CORPORATION Rev.10-02-07



# 99-8212

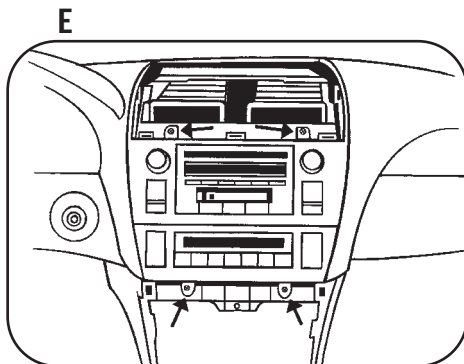
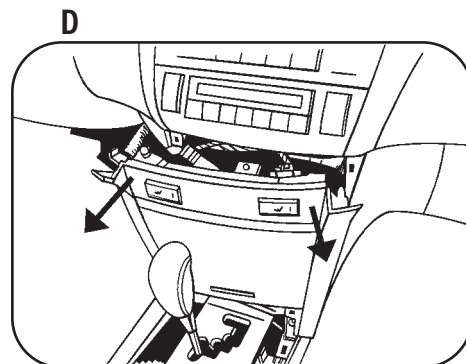
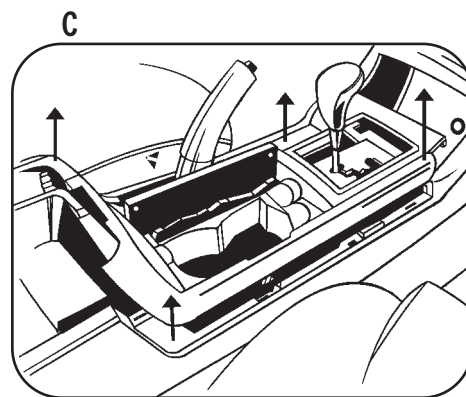
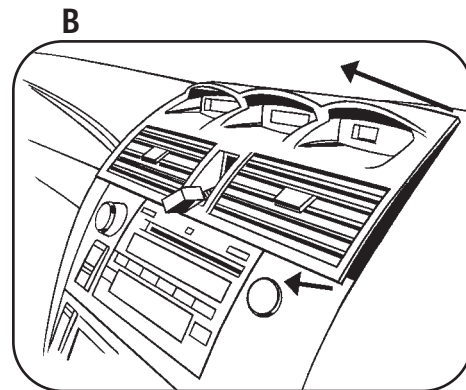
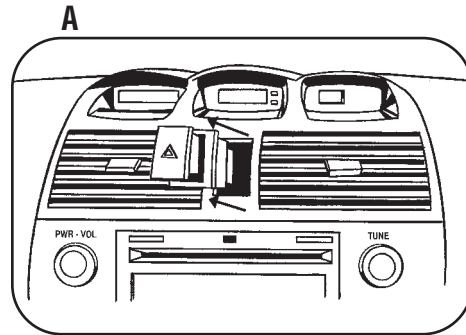
## TABLE OF CONTENTS

<i>Dash Disassembly</i> .....	1
<i>Kit Assembly</i> .....	2-4
<i>Final Assembly</i> .....	5

## 2004-2008 TOYOTA SOLARA

### DASH DISASSEMBLY

- 1 Disconnect the negative battery terminal to prevent an accidental short circuit.
- 2 Remove the cover from the hazard switch then unclip and remove the switch. (Figure A)
- 3 Unclip and remove panel above radio including A/C vents and clock. **TIP:** Start pulling from the inside of the hazard switch cavity. (Figure B)
- 4 Unclip and remove panel surrounding shifter. (Figure C)
- 5 Unclip and remove pocket and seat heater switch panel. (Figure D)
- 6 Remove (4) 10mm screws to extract radio from sub dash. (Figure E)





99-8212

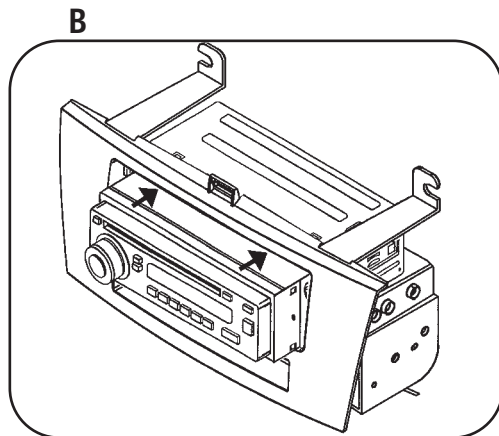
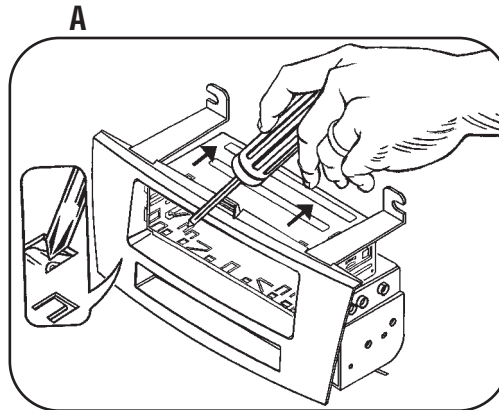
KIT ASSEMBLY

2004-2008 TOYOTA SOLARA

- 1 Attach the corresponding radio housing bracket to the radio housing using the included (8) PFH-614 Phillips screws.
- 2 Slide the factory climate control into the assembled radio housing brackets/radio housing assembly and secure with the factory hardware.
- 3 Attach the radio support to the back of the pocket using the supplied (2) PTF-838 Phillips screws.

## DIN HEAD UNIT PROVISIONS

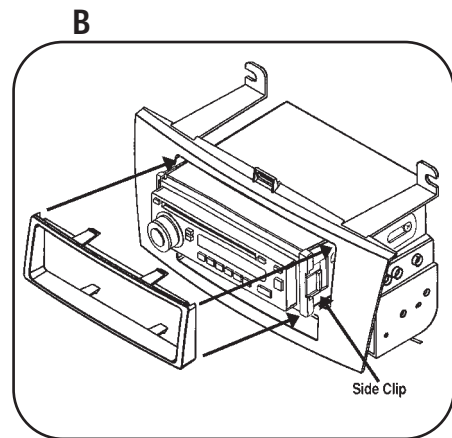
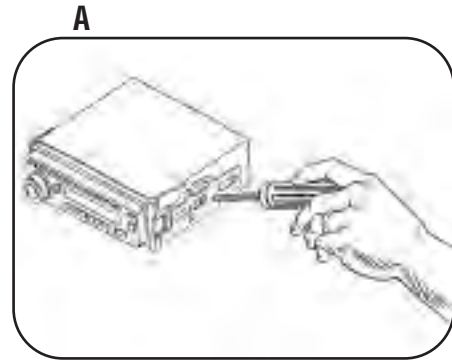
- 1 Slide the DIN cage into the radio housing and secure by bending the metal locking tabs down. (Figure A)
- 2 Slide the aftermarket head unit into the cage and secure. (Figure B)

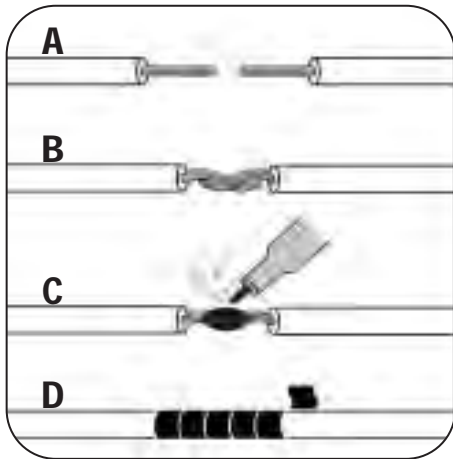


KIT ASSEMBLY

## ISO DIN HEAD UNIT PROVISIONS

- 1 Mount the ISO Brackets to the head unit with the screws supplied with the unit. (Figure A)
- 2 Slide the head unit into the radio opening until the side clips engage. (Figure B)
- 3 Snap the trim plate into the radio housing. (Figure B)





- A) *Strip wire ends back 1/2"*
- B) *Twist ends together*
- C) *Solder*
- D) *Tape*

FINAL ASSEMBLY

- 1 Locate the factory wiring harness in the dash. Metra recommends using the proper mating adapter and making the connections as shown. (Isolate and individually tape off the ends of any unused wires to prevent electrical short circuit)
  
- 2 Re-connect the negative battery terminal and test the unit for proper operation.
  
- 3 Reassemble radio and dash assemblies in reverse order of disassembly.

# INST99-8212



1-800-221-0932



[www.metraonline.com](http://www.metraonline.com)

Rev. 07-02-07

© COPYRIGHT 2004-2007 METRA ELECTRONICS CORPORATION

INST99-8212