



INSTALLATION INSTRUCTIONS FOR PART 99-8219

APPLICATIONS

Toyota FJ Cruiser 2007-2009

99-8219

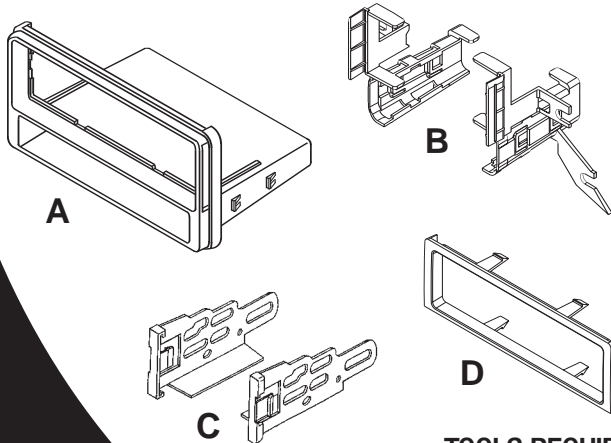
KIT FEATURES

- DIN radio provision with pocket
- ISO radio provision with pocket



KIT COMPONENTS

- A) Radio Housing • B) Housing Brackets • C) ISO Snap In Brackets • D) Trim Plate



WIRING AND ANTENNA CONNECTIONS (Sold Separately)

Wire harness:

- 70-1761 Toyota 1987-up

Antenna adapter:

- Not required

TOOLS REQUIRED:

Phillips Screwdriver Or Panel Removal Tool



1-800-221-0932



www.metraonline.com

© COPYRIGHT 2004-2009 METRA ELECTRONICS CORPORATION



TABLE OF CONTENTS

Dash Disassembly

- Toyota FJ Cruiser 2007-2009 1

Kit Assembly *

- DIN Radio Provision with Pocket 2

- ISO Radio Provision with Pocket 3

Final Assembly 4

***Note:**

Refer also to the instructions included with the aftermarket radio.



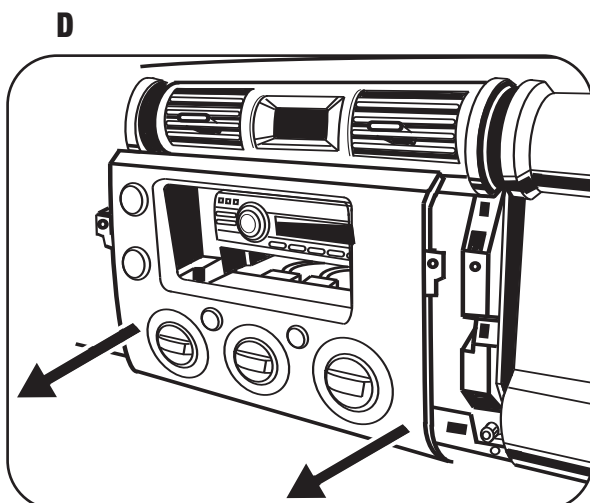
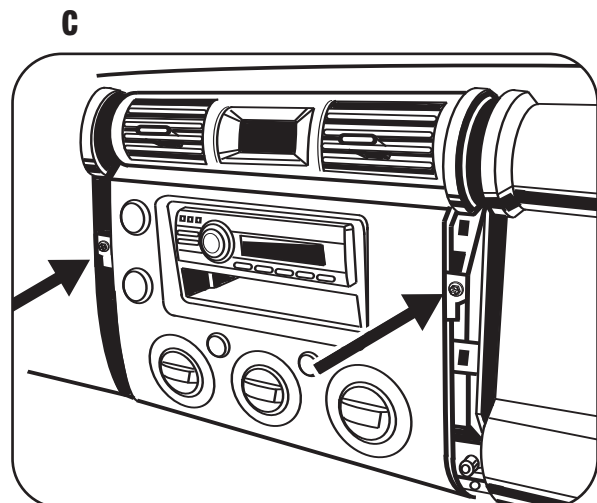
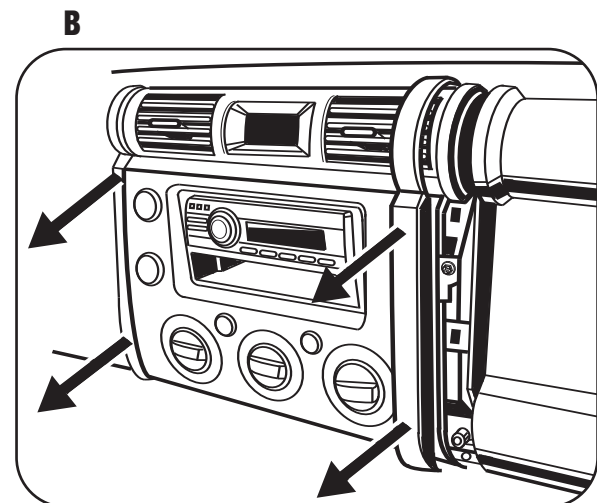
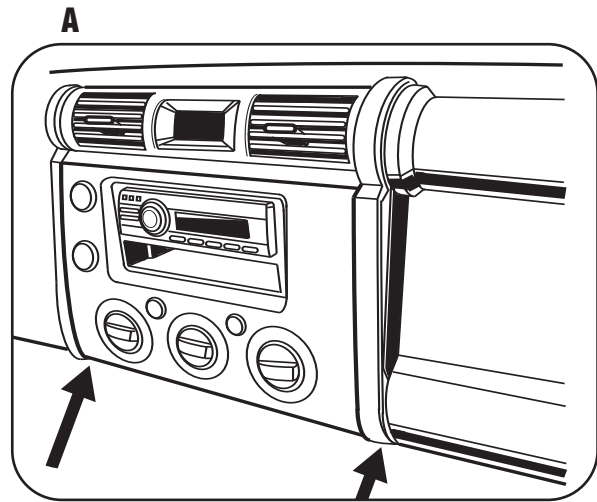
KNOWLEDGE IS POWER

Enhance your installation and fabrication skills by enrolling in the most recognized and respected mobile electronics school in our industry. Log onto www.installerinstitute.com or call 800-354-6782 for more information and take steps toward a better tomorrow.

TOYOTA FJ CRUISER 2007-2009

- 1** Disconnect the negative battery terminal to prevent an accidental short circuit.
- 2** Remove two Phillips screws from bottom part of side trim panels. **Figure A)**
- 3** Using a panel removal tool, carefully remove the side trim panels. **(Figure B)**
- 4** Remove (2) Phillips screws from radio trim panel. **(Figure C)**
- 5** Using panel removal tool, carefully remove radio trim panel. **(Figure D)**
- 6** Remove (4) 10mm bolts securing the radio.
- 7** Unplug and remove radio.

Continue to kit assembly.

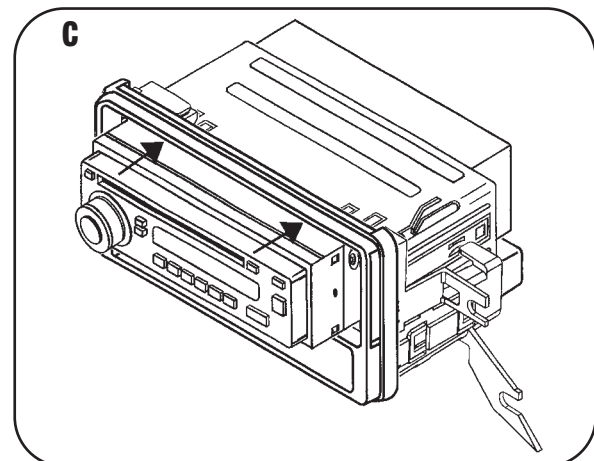
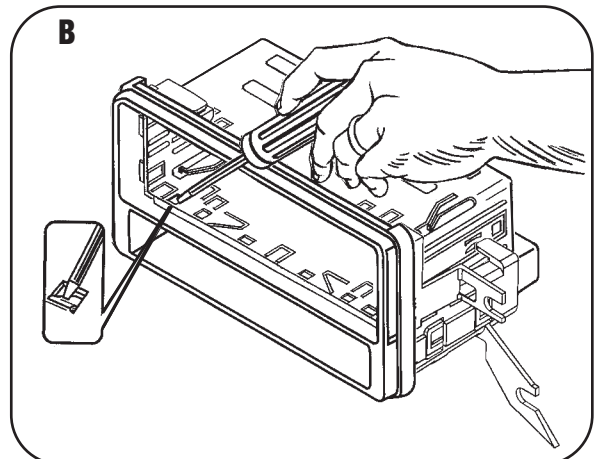
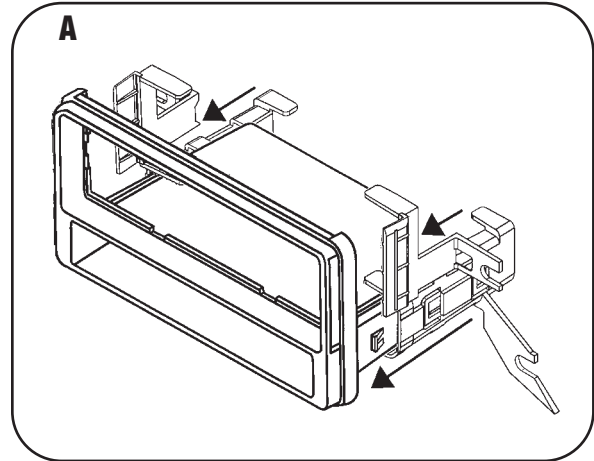


DIN RADIO PROVISION WITH POCKET

**Note: Refer also to the instructions included with the aftermarket radio.*

- 1** Slide the housing brackets onto the side of the radio housing until the clips engage. *Note: Brackets are marked left and right.* (Figure A)
- 2** Slide the DIN cage into the Radio Housing and secure by bending the metal locking tabs outward. (Figure B)
- 3** Slide the aftermarket radio into the cage and secure. (Figure C)

Continue to final assembly.

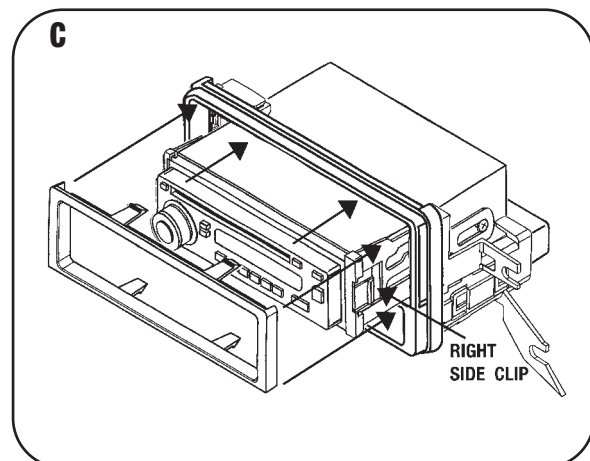
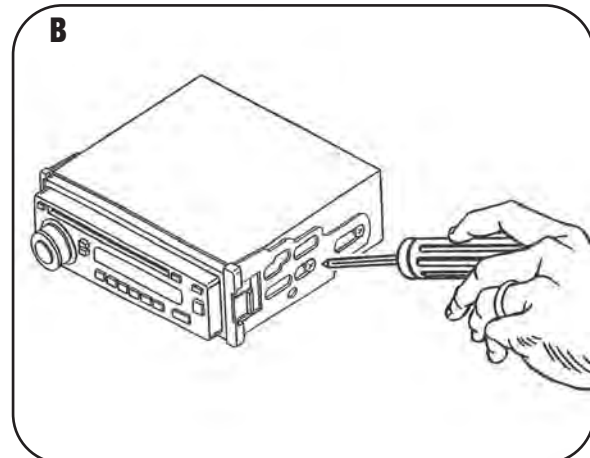
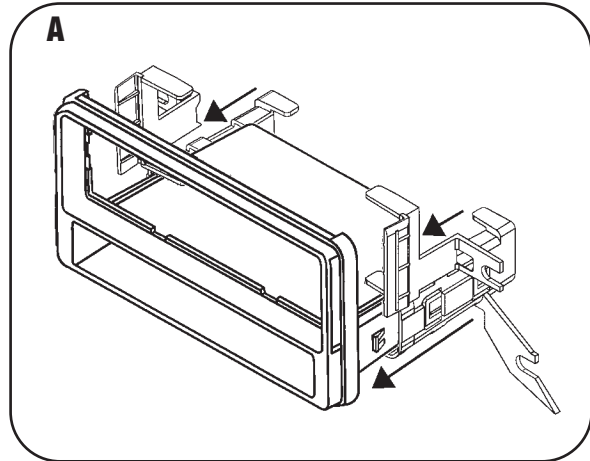


ISO RADIO PROVISION WITH POCKET

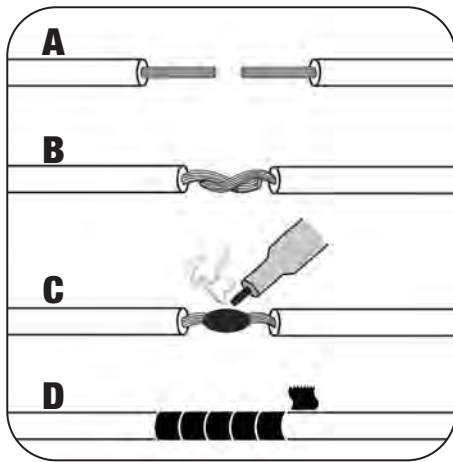
**Note: Refer also to the instructions included with the aftermarket radio.*

- 1** Slide the housing brackets onto the side of the radio housing until the clips engage. *Note: Brackets are marked left and right.* (Figure A)
- 2** Mount the ISO Brackets to the aftermarket radio using the screws supplied with the radio. (Figure B)
- 3** Slide the radio into the radio housing until the side clips engage. Snap the Trim-plate into the Radio Housing. (Figure C)

Continue to final assembly.



FINAL ASSEMBLY



- A) Strip wire ends back 1/2"**
- B) Twist ends together**
- C) Solder**
- D) Tape**

- 1** Locate the factory wiring harness in the dash. Metra recommends using the proper mating adapter and making connections as shown. (Isolate and individually tape off the ends of any unused wires to prevent electrical short circuit.)
- 2** Re-connect the negative battery terminal and test the unit for proper operation.
- 3** Reassemble radio and dash assemblies in reverse order of disassembly.

FINAL WIRING CONNECTIONS

Make wiring connections using the EIA color code chart shown below and the instructions included with the head unit. Metra recommends making connections as shown below; Strip, Splice, Solder, Tape. Isolate and individually tape off ends of any unused wires to prevent electrical short circuit.

METRA / EIA WIRING CODE

12V Ignition / Acc . . . Red	Right Front (+) Gray
12V Batt / Memory . . Yellow	Right Front (-) Gray/ Black
Ground Black*	Left Front (+) White
Power Antenna Blue	Left Front (-) White / Black
Amp Turn-On Blue / White	Right Rear (+) Violet
Amp Ground Black / White	Right Rear (-) Violet / Black
Illumination Orange	Left Rear (+) Green
Dimmer Orange / White	Left Rear (-) Green / Black

***NOTE:** When a Black wire is not present, ground radio to vehicle chassis.

All colors may not be present on all leads due to manufacturer's specifications.

99-8219 INSTRUCTIONS



1-800-221-0932



www.metraonline.com

REV. 05/13/09 © COPYRIGHT 2004-2009 METRA ELECTRONICS CORPORATION INST99-8219