



INSTALLATION INSTRUCTIONS FOR PART 99-8901

APPLICATIONS

**Subaru Legacy/Outback
For Manual Climate Controls Only
(Excluding Outback Sport)
2005-2009**

99-8901

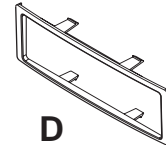
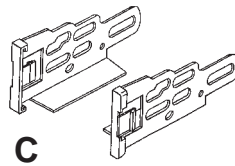
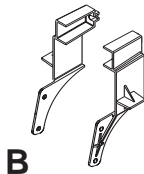
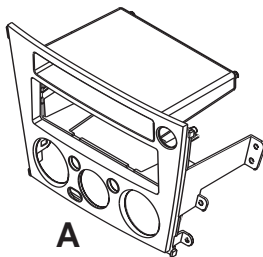


KIT FEATURES

- DIN head unit provision with a pocket
- ISO DIN head unit provision with a pocket

KIT COMPONENTS

A) Radio Housing • B) Radio Housing Brackets • C) ISO Brackets • D) Trim Plate



WIRING AND ANTENNA CONNECTIONS (Sold Separately)

Wire harness:

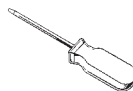
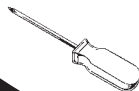
- 70-8901 Subaru harness 1990-up

Antenna adapter:

- 40-SB10 Subaru antenna adapter 2005-up

TOOLS REQUIRED:

Phillips Screwdriver • Small Flat Blade Screwdriver • Socket Wrench



1-800-221-0932



www.metraonline.com

© COPYRIGHT 2004-2009 METRA ELECTRONICS CORPORATION

TABLE OF CONTENTS

***Dash Disassembly* 1**

***Kit Assembly* 2, 3, 4**

***Final Assembly* 5**



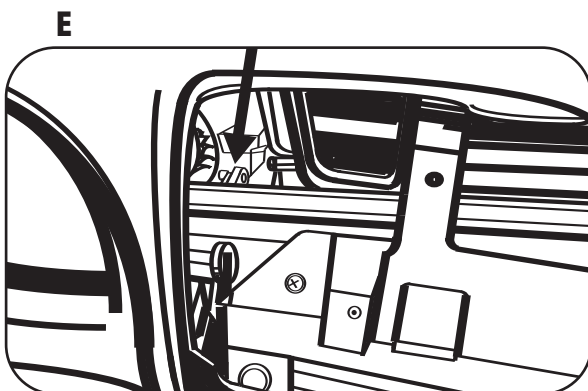
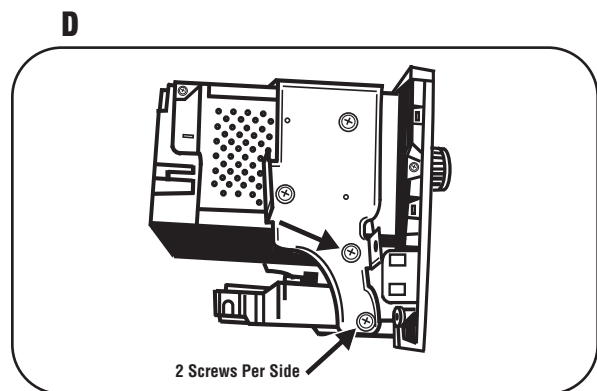
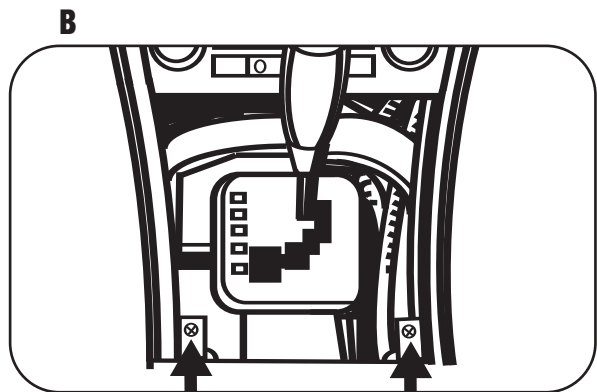
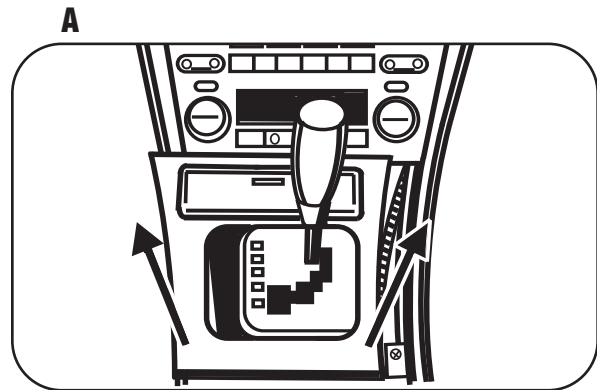
KNOWLEDGE IS POWER

Enhance your installation and fabrication skills by enrolling in the most recognized and respected mobile electronics school in our industry. Log onto www.installerinstitute.com or call 800-354-6782 for more information and take steps toward a better tomorrow.

SUBARU LEGACY AND OUTBACK EXCLUDING OUTBACK SPORT 2005-2009

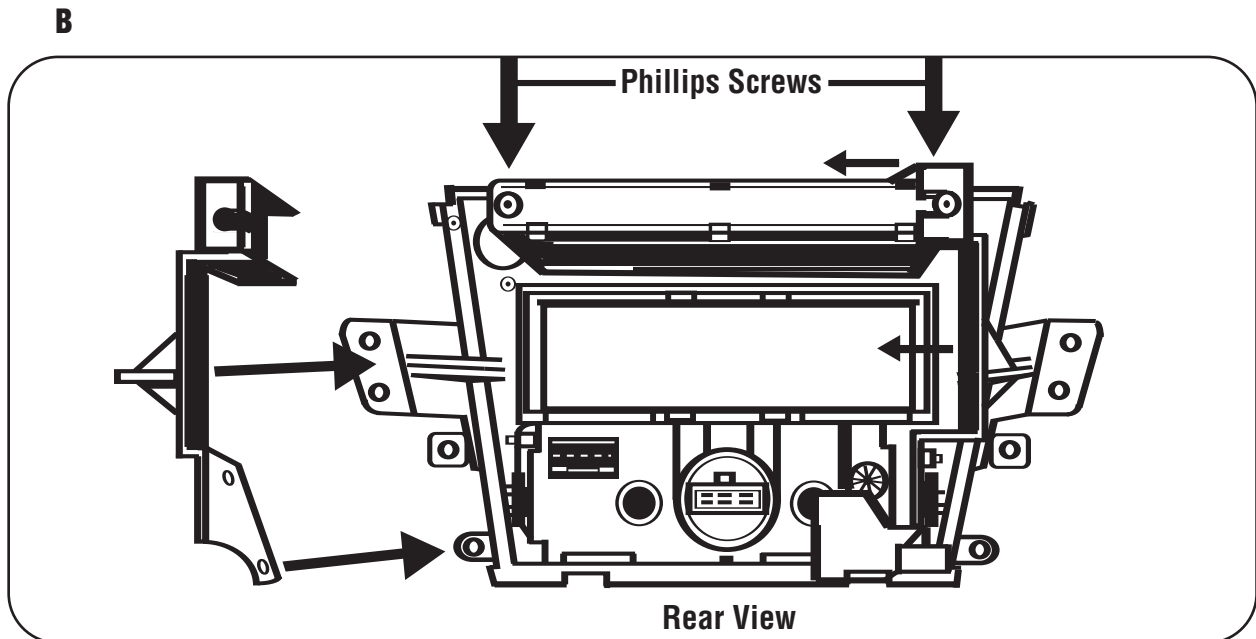
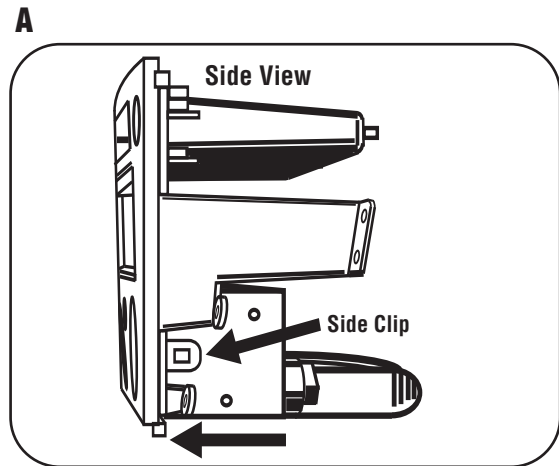
- 1 Disconnect the negative battery terminal to prevent an accidental short circuit.
- 2 Unclip and remove panel surrounding shifter including ashtray. (Figure A)
- 3 Remove (1) Phillips screw per side panel then unclip and remove panels. (Figure B)
- 4 Remove (6) Phillips from radio to remove. (Figure C)
- 5 Remove (4) screws securing the climate control to the radio/climate control assembly then unclip and remove climate control. (Figure D)

NOTE: You will need to unclip the climate control cable from behind the pocket above the radio in order to remove the radio/climate controls. (See Art Below) (Figure E)

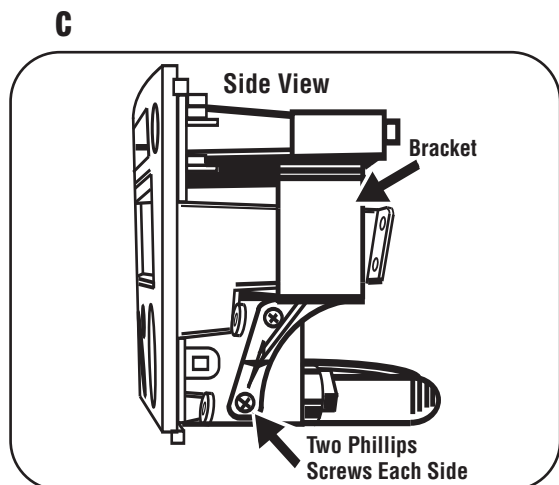


SUBARU LEGACY AND OUTBACK EXCLUDING OUTBACK SPORT 2005-2009

- 1 Clip the climate control into the back of the 99-8901. (Figure A)
- 2 Attach the corresponding bracket to the back of the pocket and secure with the provided Phillips screws. (Figure B)

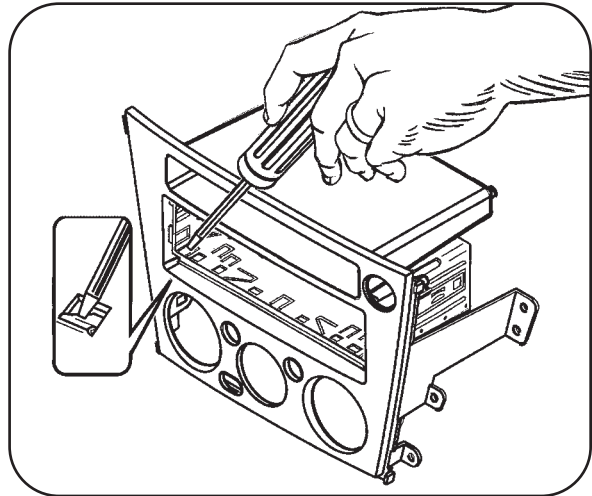
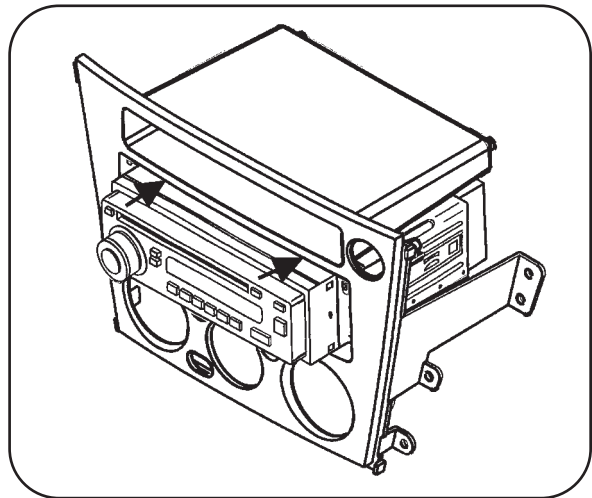


- 3 Secure the climate control to the brackets using the factory screws. (Figure C)



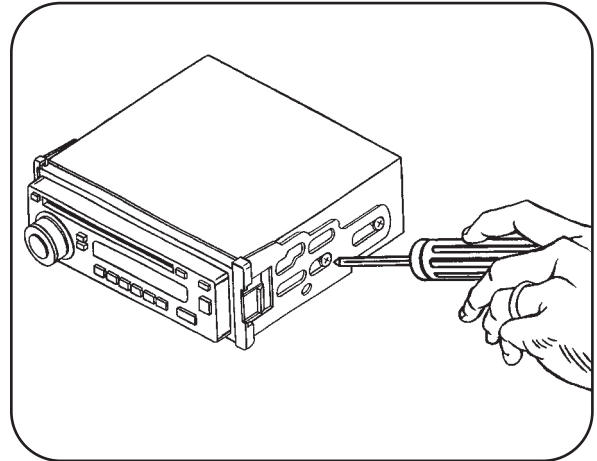
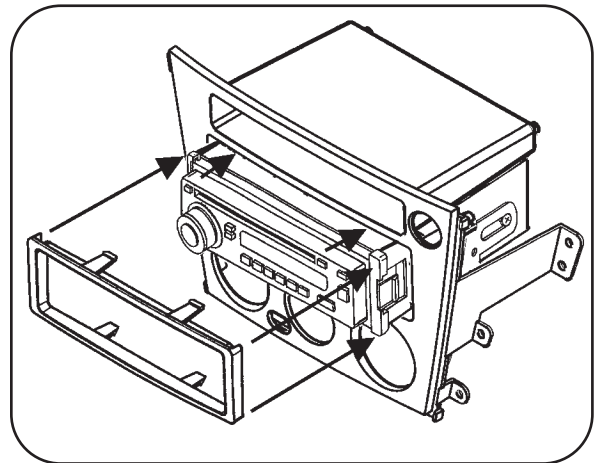
DIN HEAD UNIT PROVISION

- 1** Slide the DIN cage into the Radio Housing and secure by bending the metal locking tabs down. (Figure A)
- 2** Slide the aftermarket head unit into the cage and secure. (Figure B)

A**B**

ISO DIN HEAD UNIT PROVISION

- 1** Mount the ISO Brackets to the head unit with the screws supplied with the unit. (Figure A)
- 2** Slide the head unit into the radio opening until the side clips engage. (Figure B)
- 3** Snap the Trim plate into the Radio Housing. (Figure B)

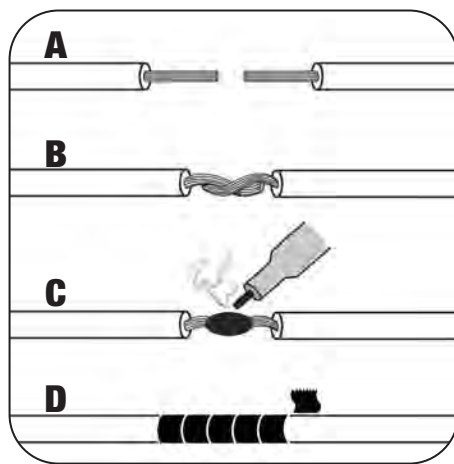
A

B


FINAL ASSEMBLY

- 1 Locate the factory wiring harness in the dash and make the connection as shown. Metra recommends using the proper mating adapter and making the connections as shown. (Isolate and individually tape off the ends of any unused wires to prevent electrical short circuit.)
- 2 Re-connect the negative battery terminal and test the unit for proper operation.
- 3 Reassemble radio and dash assemblies in reverse order of disassembly.

FINAL WIRING CONNECTIONS

Make wiring connections using the EIA color code chart shown below and the instructions included with the head unit. Metra recommends making connections as shown below; Strip, Splice, Solder, Tape. Isolate and individually tape off ends of any unused wires to prevent electrical short circuit.



- A) Strip wire ends back 1/2"**
- B) Twist ends together**
- C) Solder**
- D) Tape**

METRA / EIA WIRING CODE

12V Ignition / Acc . . . Red	Right Front (+) Gray
12V Batt / Memory . . Yellow	Right Front (-) Gray / Black
Ground Black*	Left Front (+) White
Power Antenna Blue	Left Front (-) White / Black
Amp Turn-On Blue / White	Right Rear (+) Violet
Amp Ground Black / White	Right Rear (-) Violet / Black
Illumination Orange	Left Rear (+) Green
Dimmer Orange / White	Left Rear (-) Green / Black

***NOTE:** When Black a wire is not present, ground radio to vehicle chassis.

All colors may not be present on all leads due to manufacturer's specifications.

99-8901 INSTRUCTIONS



1-800-221-0932



www.metraonline.com

REV. 05/15/09

© COPYRIGHT 2004-2009 METRA ELECTRONICS CORPORATION

INST99-8901