



INSTALLATION INSTRUCTIONS FOR PART 99-9105

APPLICATIONS

Audi A4 2000-2001

(Symphony Radio Only)

99-9105

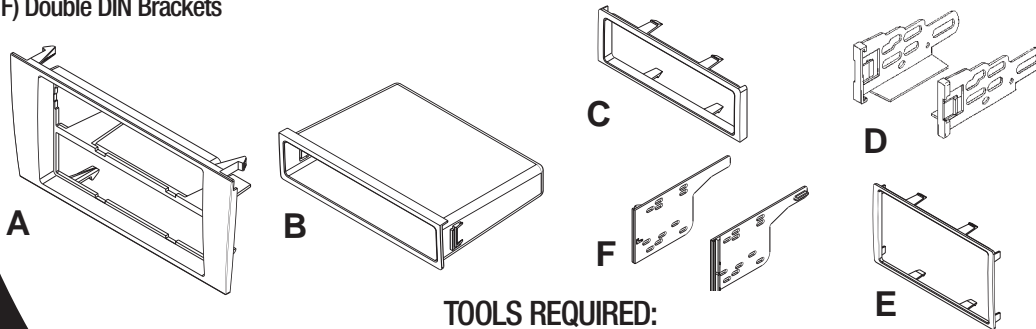


KIT FEATURES

- DIN radio provision with pocket
- ISO radio provision with pocket
- Double DIN radio provision

KIT COMPONENTS

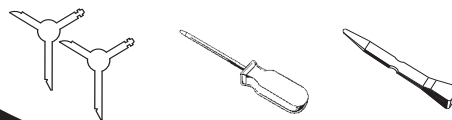
- A) Radio Housing
- B) Pocket
- C) Trim Plate
- D) ISO Brackets
- E) Double DIN Trim Plate
- F) Double DIN Brackets



TOOLS REQUIRED:

* 86-9001 Head Unit Removal Tool • Flat Blade Screwdriver Or Panel Removal Tool

Note: Two sets of the head unit removal tools are recommended for easier removal of factor head unit.



1-800-221-0932



www.metraonline.com

© COPYRIGHT 2004 METRA ELECTRONICS CORPORATION



TABLE OF CONTENTS

Dash Disassembly

- Audi A4 2000-2001 1

Kit Assembly

- DIN Radio Provision with Pocket 2

- ISO Radio Provision with Pocket 3

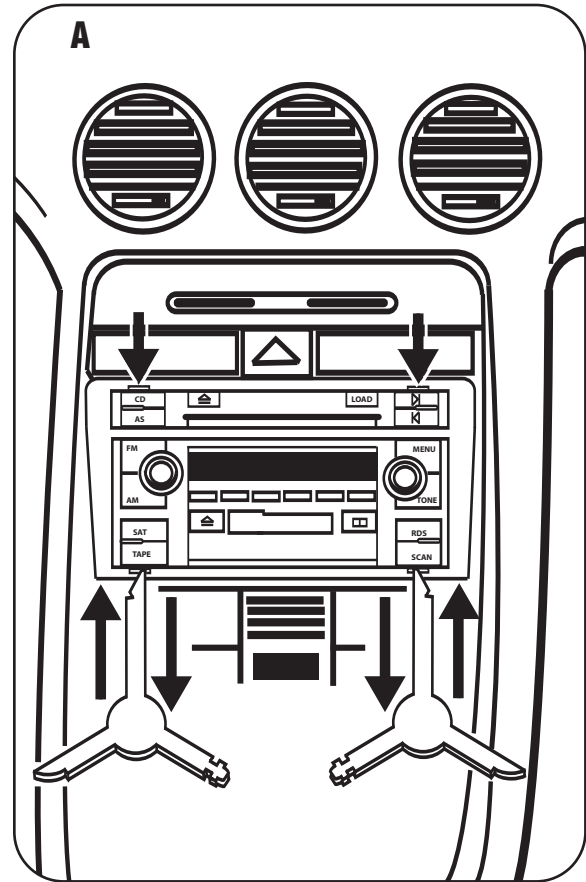
- Double DIN Radio Provision 4

Final Assembly 5

AUDI A4 2000-2001

- 1 Disconnect the negative battery terminal to prevent an accidental short circuit.
- 2 Insert Metra's 86-9001 into the slots in the factory radio and pull the radio from the dash. (Figure A)
- 3 Disconnect the wiring.

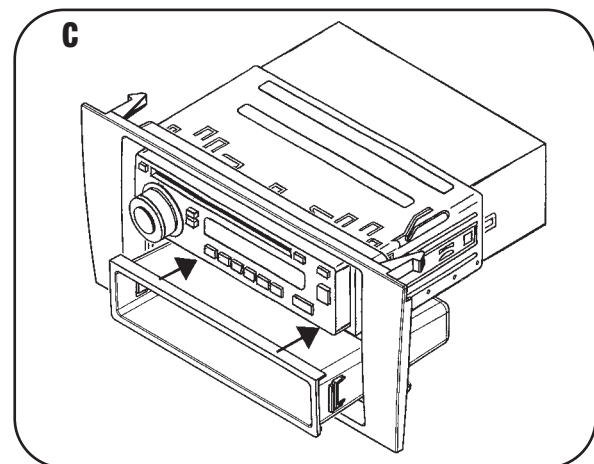
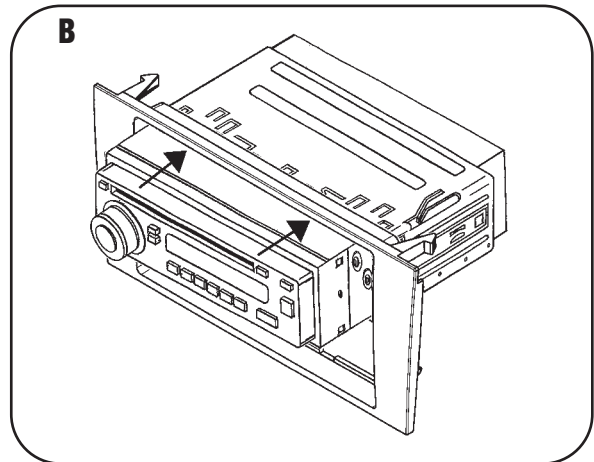
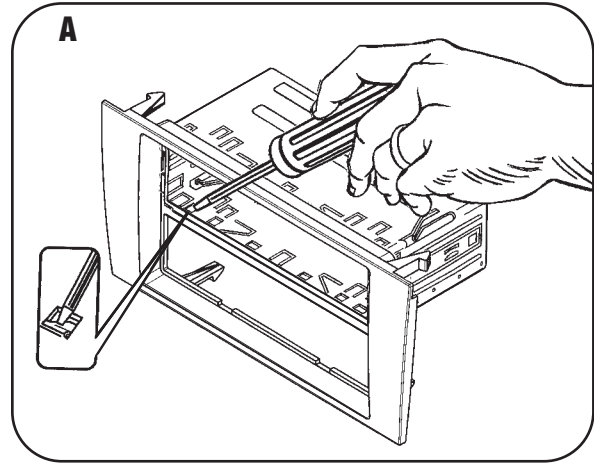
Continue to kit assembly.



DIN RADIO PROVISION WITH POCKET

- 1** Slide the DIN cage into the Radio Housing and secure by bending the metal locking tabs down. (Figure A)
- 2** Slide the aftermarket radio into the cage and secure. (Figure B)
- 3** Snap the pocket into the Radio Housing until secure. (Figure C)

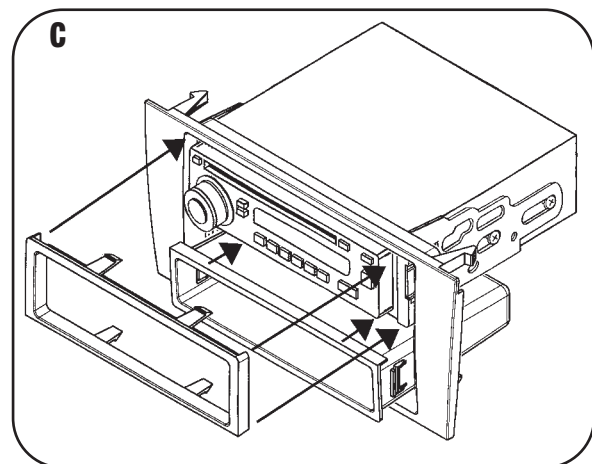
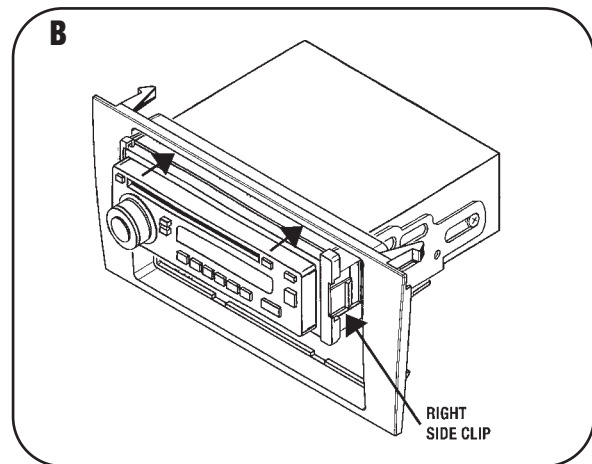
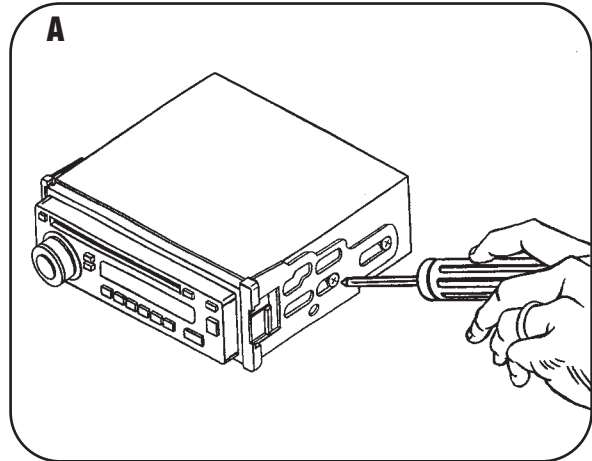
Continue to final assembly.



ISO RADIO PROVISION WITH POCKET

- 1** Mount the ISO Brackets to the radio with the screws supplied with the unit. (Figure A)
- 2** Slide the radio into the radio opening until the side clips engage. (Figure B)
- 3** Snap the ISO Trim Plate into the Radio Housing. (Figure C)
- 4** Snap the pocket into the radio housing. (Figure C)

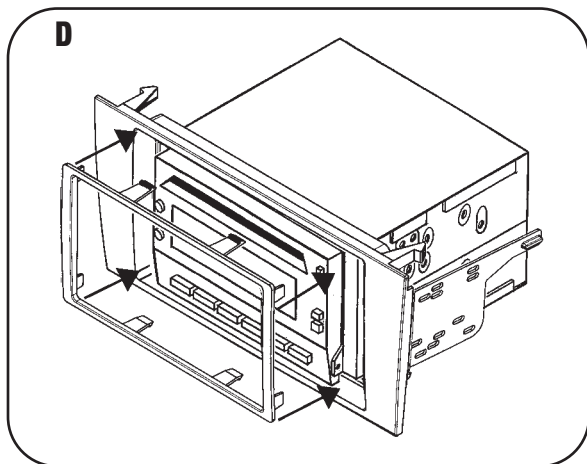
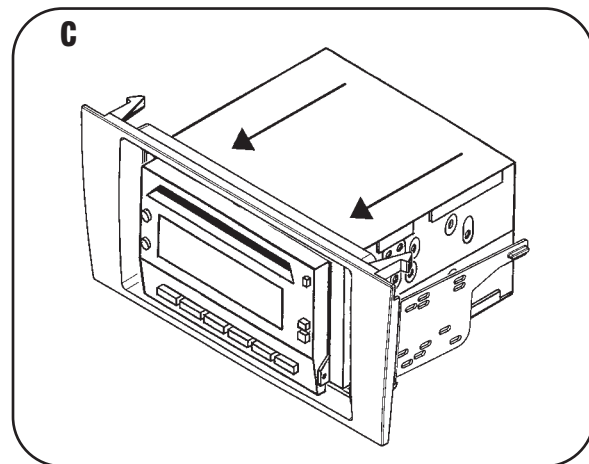
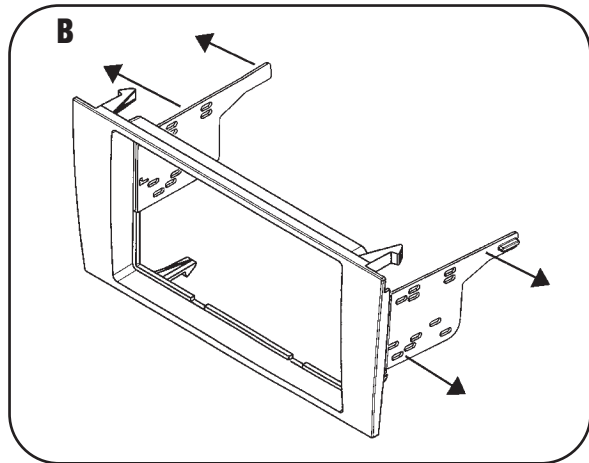
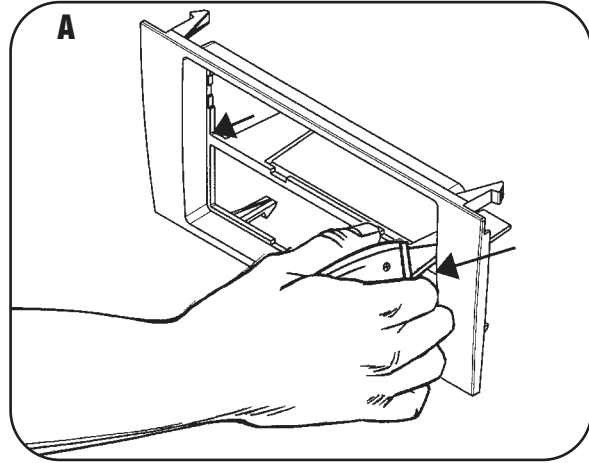
Continue to final assembly.



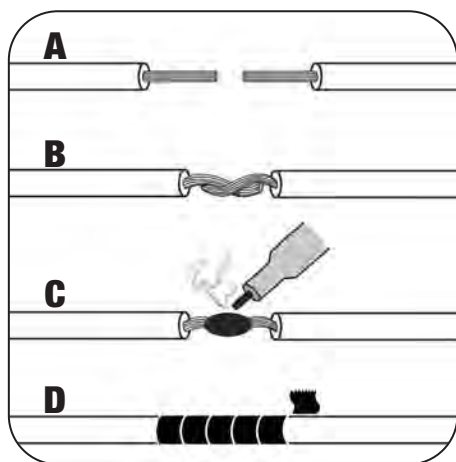
DOUBLE DIN RADIO PROVISION

- 1** Cut and remove center divider from radio housing. (Figure A)
- 2** Snap the Double DIN brackets to the inside edge of the radio housing. (Figure B)
- 3** Slide the Double DIN radio into the Double DIN bracket/radio housing assembly and secure the unit to the kit using the screws supplied with the radio. (Figure C)
- 4** Snap the Double DIN trim-plate onto the housing/radio assembly. (Figure D)

Continue to final assembly.



FINAL ASSEMBLY



- A) Strip wire ends back 1/2"**
- B) Twist ends together**
- C) Solder**
- D) Tape**

- 1** Locate the factory wiring harness in the dash. Metra recommends using the proper mating adapter and making connections as shown. (Isolate and individually tape off the ends of any unused wires to prevent electrical short circuit.)
- 2** Re-connect the negative battery terminal and test the unit for proper operation.
- 3** Snap radio housing assembly into factory radio opening.

FINAL WIRING CONNECTIONS

Make wiring connections using the EIA color code chart shown below and the instructions included with the head unit. Metra recommends making connections as shown below; Strip, Splice, Solder, Tape. Isolate and individually tape off ends of any unused wires to prevent electrical short circuit.

METRA / EIA WIRING CODE

12V Ignition / Acc . . . Red	Right Front (+) Gray
12V Batt / Memory . . Yellow	Right Front (-) Gray/ Black
Ground Black*	Left Front (+) White
Power Antenna Blue	Left Front (-) White / Black
Amp Turn-On Blue / White	Right Rear (+) Violet
Amp Ground Black / White	Right Rear (-) Violet / Black
Illumination Orange	Left Rear (+) Green
Dimmer Orange / White	Left Rear (-) Green / Black

***NOTE:** When a Black wire is not present, ground radio to vehicle chassis.

All colors may not be present on all leads due to manufacturer's specifications.

99-9105 INSTRUCTIONS



1-800-221-0932



www.metraonline.com

REV. 04/17/06

© COPYRIGHT 2004 METRA ELECTRONICS CORPORATION

INST99-9105