

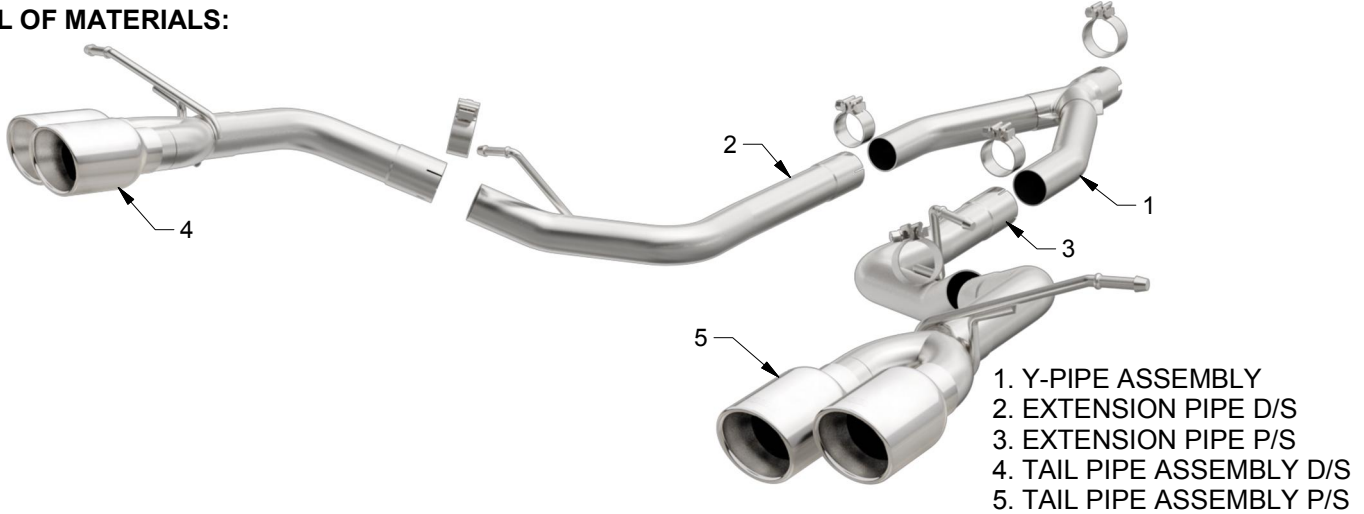


INSTALLATION INSTRUCTIONS



2014-2015 JEEP GRAND CHEROKEE SUMMIT 3.0L | PART NO. 19192

BILL OF MATERIALS:



- 1. Y-PIPE ASSEMBLY
- 2. EXTENSION PIPE D/S
- 3. EXTENSION PIPE P/S
- 4. TAIL PIPE ASSEMBLY D/S
- 5. TAIL PIPE ASSEMBLY P/S



WEAR SAFETY GLASSES



READ INSTRUCTIONS THOROUGHLY BEFORE INSTALLING PRODUCT

SHOP SUPPLIES:



SPRAY LUBRICANT

To ease removal of existing exhaust components (especially on older vehicles) spray penetrating lubricant on all fasteners and hangers/insulators that will be loosened or removed and let soak before disassembly.

HARDWARE KIT:

- 1.[4] 2.25" Clamp
- 2.[1] 2.75" Clamp

MINIMUM REQUIRED TOOLS:



15mm



Hanger Tool (Or Pry Bar)

MAGNAFLOW RECOMMENDS PROFESSIONAL INSTALLATION ON ALL THEIR PRODUCTS



WARNING: When working on, under, or around any vehicle exercise caution. Please allow the vehicle's exhaust system to cool before removal, as exhaust system temperatures may cause severe burns. If working without a lift always consult vehicle manual for correct lifting specifications. Always wear safety glasses and ensure a safe work area. Serious injury or death could occur if safety measures are not followed.

ATTENTION: Always install any supplied band or U-bolt clamps to the proper torque specifications of 40-45 ft-lbs for band clamps and 30-35 ft-lbs for U-bolt clamps. Over tightening will result in the clamp breaking and will NOT be warranted by MagnaFlow.

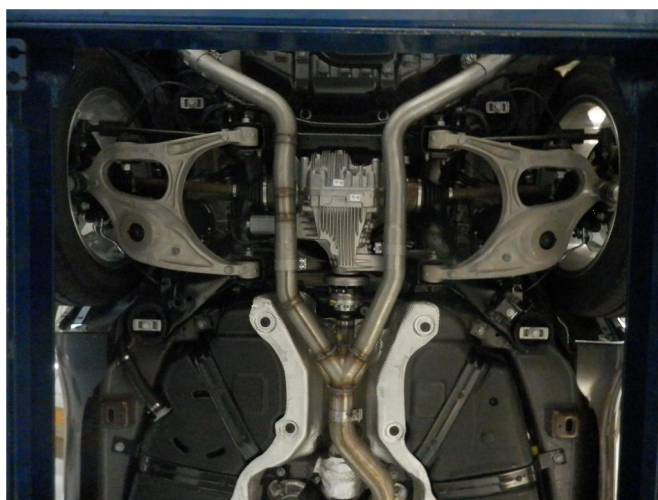
INSTALLATION INSTRUCTIONS



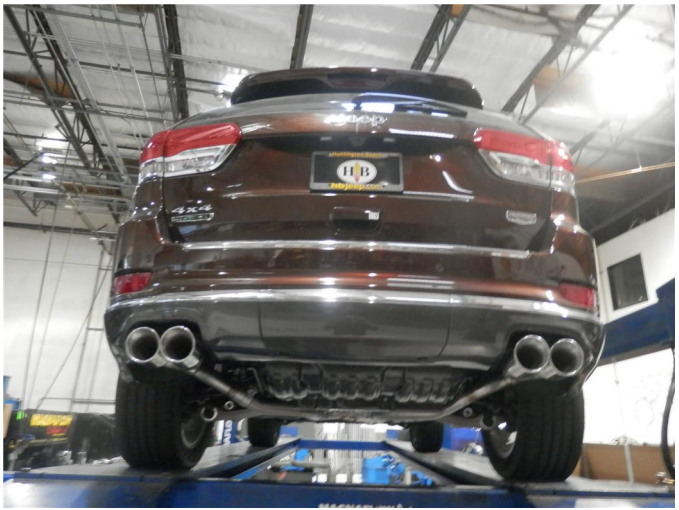
Step 2. Begin installation of the new system by fastening the inlet Y-Pipe Assembly to the outlet of the catalytic converter using the supplied 2.75" band clamp. Leave all clamps loose for the final adjustment of the complete system.



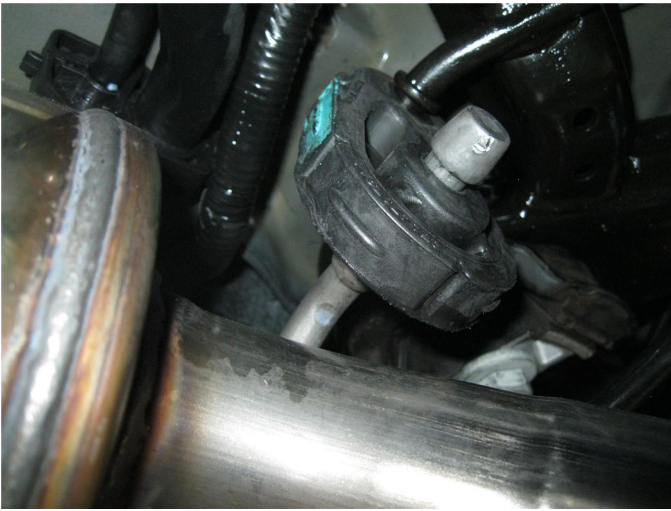
Step 1. To remove the OEM exhaust system loosen the clamp fastening the Y-Pipe/Muffler Assembly to the Catalytic Converter outlet, un-clip the ground strap from the rear hanger. Disengage the hangers from the rubber insulators and remove the system. Do not discard or damage the rubber insulators as they will be used to mount the new system.



Step 3. Next attach the driver and passenger side Extension Pipes using the supplied 2.25" clamps.



Step 5. Once a final position has been chosen for the new exhaust system, evenly tighten all clamps from front to rear using the torque specifications on page one of the instructions. Inspect all fasteners after 25-50 miles of operation and re-tighten if necessary.



Step 4. Finish by installing both Tail Pipe Assemblies using the supplied 2.25" clamps, fitting the hangers into the rubber insulators and re-attaching ground strap..