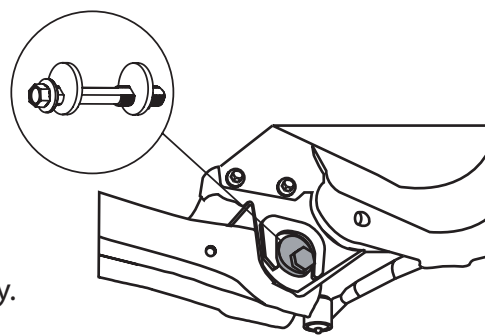


JEEP CASTER/PINION ANGLE ADJUSTER

Instructions: Jeep Front Caster/Pinion Angle Kit Installation Instructions.

Year Model 97-06 Wrangler TJs 93-98 Grand Cherokee 94-98
Ram Trucks (36mm cams)



1. Check vehicle for bent, worn or loose components and repair as necessary.
2. Check alignment and determine front caster changes required.
3. Lift front of vehicle so suspension hangs freely and bolts can be accessed. Support safely.
4. Remove the front lower control arm axle bolts one at time.
5. Install the cam bolts by placing one cam at the head of each bolt, slide the bolt through the axle bracket and control arm, then place another cam washer on the bolt and then the locknut.
6. Repeat for other side making sure cam washer sets in recess on axle bracket.
7. To adjust loosen lock nut and rotate cam bolt. Both cam bolts must be in the same relative position.

Note: Cross caster cannot be set on this type of axle. Having the bolts in different positions on each side will load the bushings and possibly cause setback problems.

8. While holding bolt head or cam to prevent rotation Tighten locknut to 115 Nm (85 lb-ft)
9. Check alignment and/or pinion angle readings and road test vehicle.

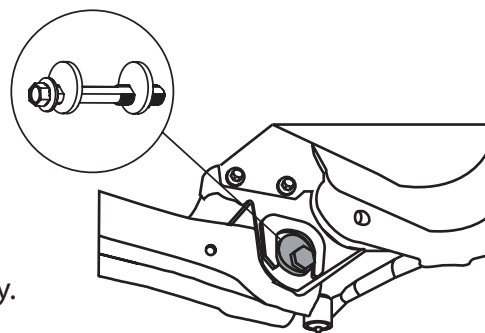
Note: Always check for proper clearance between suspension components and other components of the vehicle.

95-245-0806

JEEP CASTER/PINION ANGLE ADJUSTER

Instructions: Jeep Front Caster/Pinion Angle Kit Installation Instructions.

Year Model 97-06 Wrangler TJs 93-98 Grand Cherokee 94-98
Ram Trucks (36mm cams)



1. Check vehicle for bent, worn or loose components and repair as necessary.
2. Check alignment and determine front caster changes required.
3. Lift front of vehicle so suspension hangs freely and bolts can be accessed. Support safely.
4. Remove the front lower control arm axle bolts one at time.
5. Install the cam bolts by placing one cam at the head of each bolt, slide the bolt through the axle bracket and control arm, then place another cam washer on the bolt and then the locknut.
6. Repeat for other side making sure cam washer sets in recess on axle bracket.
7. To adjust loosen lock nut and rotate cam bolt. Both cam bolts must be in the same relative position.

Note: Cross caster cannot be set on this type of axle. Having the bolts in different positions on each side will load the bushings and possibly cause setback problems.

8. While holding bolt head or cam to prevent rotation Tighten locknut to 115 Nm (85 lb-ft)
9. Check alignment and/or pinion angle readings and road test vehicle.

Note: Always check for proper clearance between suspension components and other components of the vehicle.

95-245-0806