

**IDEAL TAPE APPLICATION TEMPERATURE RANGE IS 70-100 DEGREES FAHRENHEIT !**

- 1** HOLD THE HOOD PROTECTOR IN PLACE AND FAMILIARIZE YOURSELF WITH THE FIT.
- 2** LIFT THE HOOD AND REMOVE ANY DIRT OR DEBRIS. WITH THE ALCOHOL PAD PROVIDED, CLEAN THE AREAS UNDER THE GRILLE WHERE THE TAPED MOUNTING TABS ARE TO ADHERE.
- 3** PUSH A GROMMET NUT INTO EACH OF THE 4 FACTORY SLOTS ON THE UNDERSIDE OF THE HOOD THAT ARE LOCATED ABOVE THE HEADLIGHT AREA. CENTER THE GROMMET NUTS IN THE SLOTS.
- 4** REMOVE THE RED BACKING FROM THE ADHESIVE STRIPS ON THE HOOD PROTECTOR TABS.
- 5** CENTER THE HOOD PROTECTOR WITH THE GRILLE AND SLIDE THE MOUNTING TABS THROUGH THE GRILLE. ONCE YOU ARE SURE OF THE PLACEMENT APPLY PRESSURE TO ADHERE THE TABS TO THE UNDERSIDE OF THE GRILLE. (Fig 1)

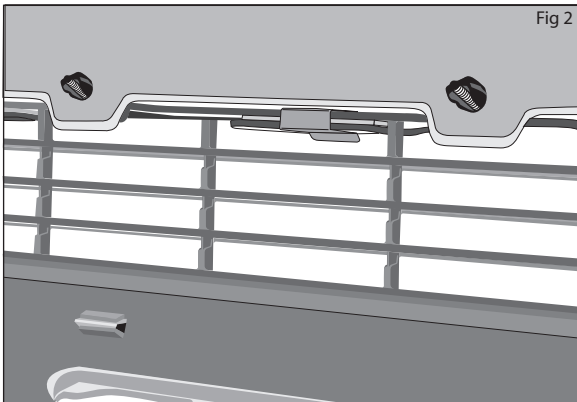
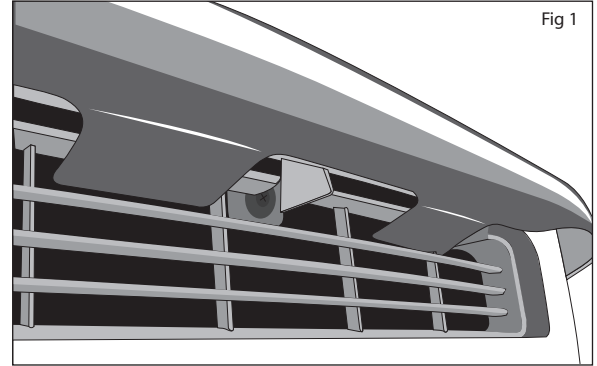
**KIT CONTAINS:**  
HOOD PROTECTOR  
4 MOUNTING SCREWS  
4 WASHERS  
4 GROMMET NUTS  
4 METAL CLIPS  
**TOOLS NEEDED:**  
PHILLIPS SCREWDRIVER

Fig 1

- 6** FROM THE BACKSIDE OF THE GRILLE LOCATE WHERE THE MOUNTING TABS OF THE HOOD PROTECTOR PROTRUDE THROUGH THE GRILL AND CLAMP TO THE GRILLE USING THE 4 METAL CLIPS PROVIDED. (fig 2)
- 7** PLACE WASHERS ON THE SCREWS AND INSERT THROUGH THE HOLES IN THE HOOD PROTECTOR INTO THE GROMMET NUTS YOU PLACED IN THE SLOTS ABOVE THE HEADLIGHTS. TIGHTEN THE SCREWS WITH SCREWDRIVER UNTIL SNUG. **DO NOT OVER TIGHTEN** THIS MAY DAMAGE YOUR NEW HOOD PROTECTOR. CLOSE THE HOOD **CAREFULLY** TO CHECK THE FIT.

**CLEANING:** USE ONLY SOAPY WATER AND A SOFT CLOTH. NEVER USE PAPER TOWELS, PETROLEUM PRODUCTS OR SOLVENTS TO CLEAN YOUR HOOD PROTECTOR.

Stampede Automotive Accessories • 1924 S. Washington Blvd. • Camanche, IA. 52730 • Ph 563-259-9189 Fax 563-259-9288 • www.stampedeautomotiveaccessories.com

**IDEAL TAPE APPLICATION TEMPERATURE RANGE IS 70-100 DEGREES FAHRENHEIT !**

- 1** HOLD THE HOOD PROTECTOR IN PLACE AND FAMILIARIZE YOURSELF WITH THE FIT.
- 2** LIFT THE HOOD AND REMOVE ANY DIRT OR DEBRIS. WITH THE ALCOHOL PAD PROVIDED, CLEAN THE AREAS UNDER THE GRILLE WHERE THE TAPED MOUNTING TABS ARE TO ADHERE.
- 3** PUSH A GROMMET NUT INTO EACH OF THE 4 FACTORY SLOTS ON THE UNDERSIDE OF THE HOOD THAT ARE LOCATED ABOVE THE HEADLIGHT AREA. CENTER THE GROMMET NUTS IN THE SLOTS.
- 4** REMOVE THE RED BACKING FROM THE ADHESIVE STRIPS ON THE HOOD PROTECTOR TABS.
- 5** CENTER THE HOOD PROTECTOR WITH THE GRILLE AND SLIDE THE MOUNTING TABS THROUGH THE GRILLE. ONCE YOU ARE SURE OF THE PLACEMENT APPLY PRESSURE TO ADHERE THE TABS TO THE UNDERSIDE OF THE GRILLE. (Fig 1)

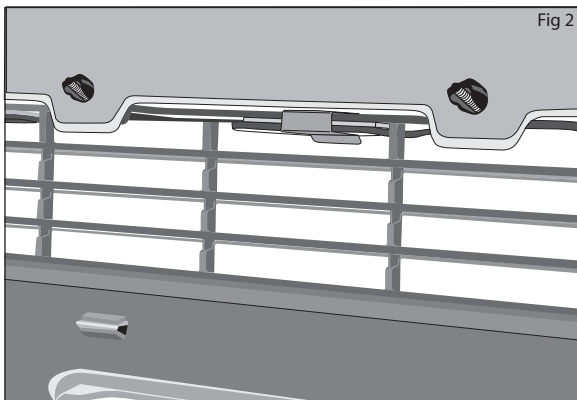
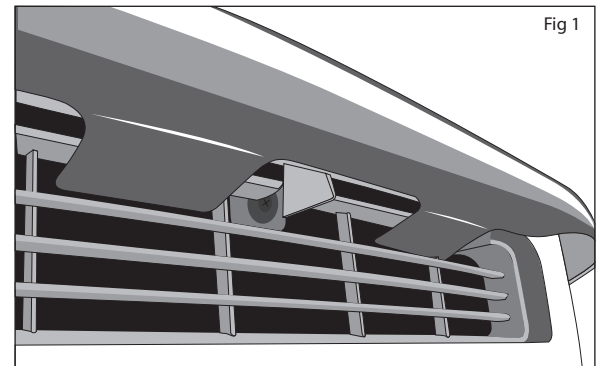
**KIT CONTAINS:**  
HOOD PROTECTOR  
4 MOUNTING SCREWS  
4 WASHERS  
4 GROMMET NUTS  
4 METAL CLIPS  
**TOOLS NEEDED:**  
PHILLIPS SCREWDRIVER

Fig 1

- 6** FROM THE BACKSIDE OF THE GRILLE LOCATE WHERE THE MOUNTING TABS OF THE HOOD PROTECTOR PROTRUDE THROUGH THE GRILL AND CLAMP TO THE GRILLE USING THE 4 METAL CLIPS PROVIDED. (fig 2)
- 7** PLACE WASHERS ON THE SCREWS AND INSERT THROUGH THE HOLES IN THE HOOD PROTECTOR INTO THE GROMMET NUTS YOU PLACED IN THE SLOTS ABOVE THE HEADLIGHTS. TIGHTEN THE SCREWS WITH SCREWDRIVER UNTIL SNUG. **DO NOT OVER TIGHTEN** THIS MAY DAMAGE YOUR NEW HOOD PROTECTOR. CLOSE THE HOOD **CAREFULLY** TO CHECK THE FIT.

**CLEANING:** USE ONLY SOAPY WATER AND A SOFT CLOTH. NEVER USE PAPER TOWELS, PETROLEUM PRODUCTS OR SOLVENTS TO CLEAN YOUR HOOD PROTECTOR.

Stampede Automotive Accessories • 1924 S. Washington Blvd. • Camanche, IA. 52730 • Ph 563-259-9189 Fax 563-259-9288 • www.stampedeautomotiveaccessories.com