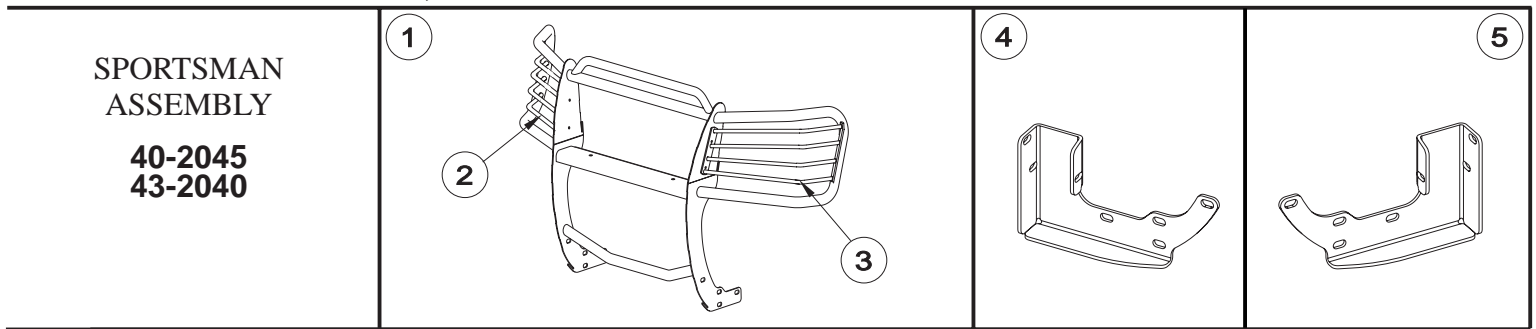




# INSTALLATION INSTRUCTIONS

APPLICATION: 2006-UP CHEVY TRAILBLAZER LT/EXT/SS

AUTOMOTIVE PRODUCTS, INC.



## PARTS KIT CONTENTS

ITEM	QTY	DESCRIPTION	ITEM	QTY	DESCRIPTION
1	1	SPORTSMAN ASSEMBLY	9	8	1/2-13 HEX NUT
2,3	2	LIGHT GUARD ASSEMBLY, PASSENGER (2) AND DRIVER (3)	10	6	3/8-16 X 1.00" HEX HEAD BOLT
4,5	2	BOTTOM BRACKET, PASSENGER (4) AND DRIVER (5)	11	12	3/8" FLAT WASHER
6	8	1/2-13 X 1.25" HEX HEAD BOLT	12	6	3/8" LOCK WASHER
7	16	1/2" FLAT WASHER	13	6	3/8-16 HEX NUT
8	8	1/2" LOCK WASHER	14	2	15" REFLECTIVE TAPE (FOR CHROME ASSEMBLIES ONLY)

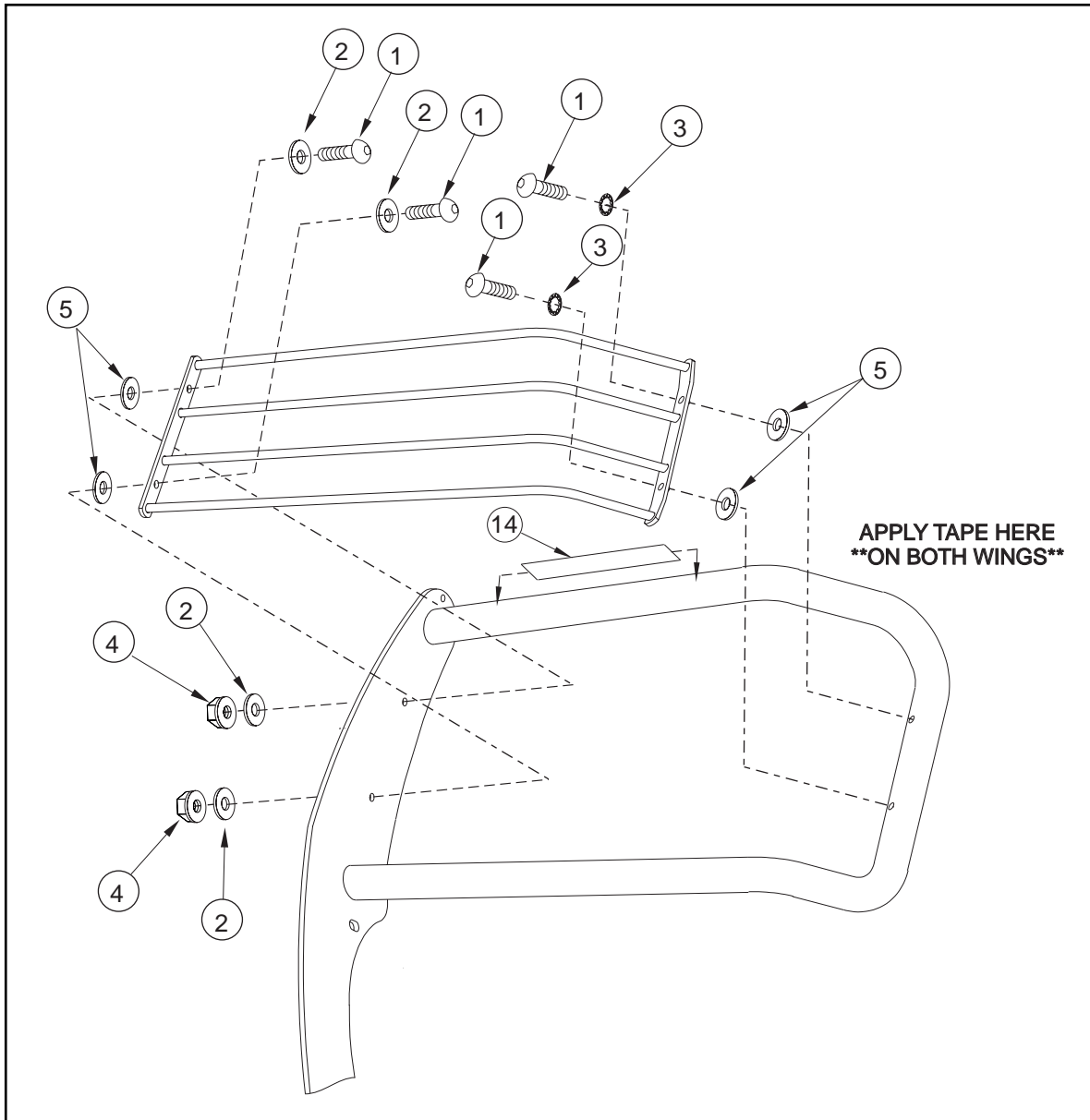
## TOOLS REQUIRED

3/4" SOCKET	3/4" WRENCH	7/16" WRENCH	9/16" SOCKET	9/16" WRENCH
5/32" HEX WRENCH	RATCHET	TORQUE WRENCH	UTILITY KNIFE	FLAT TIP SCREWDRIVER

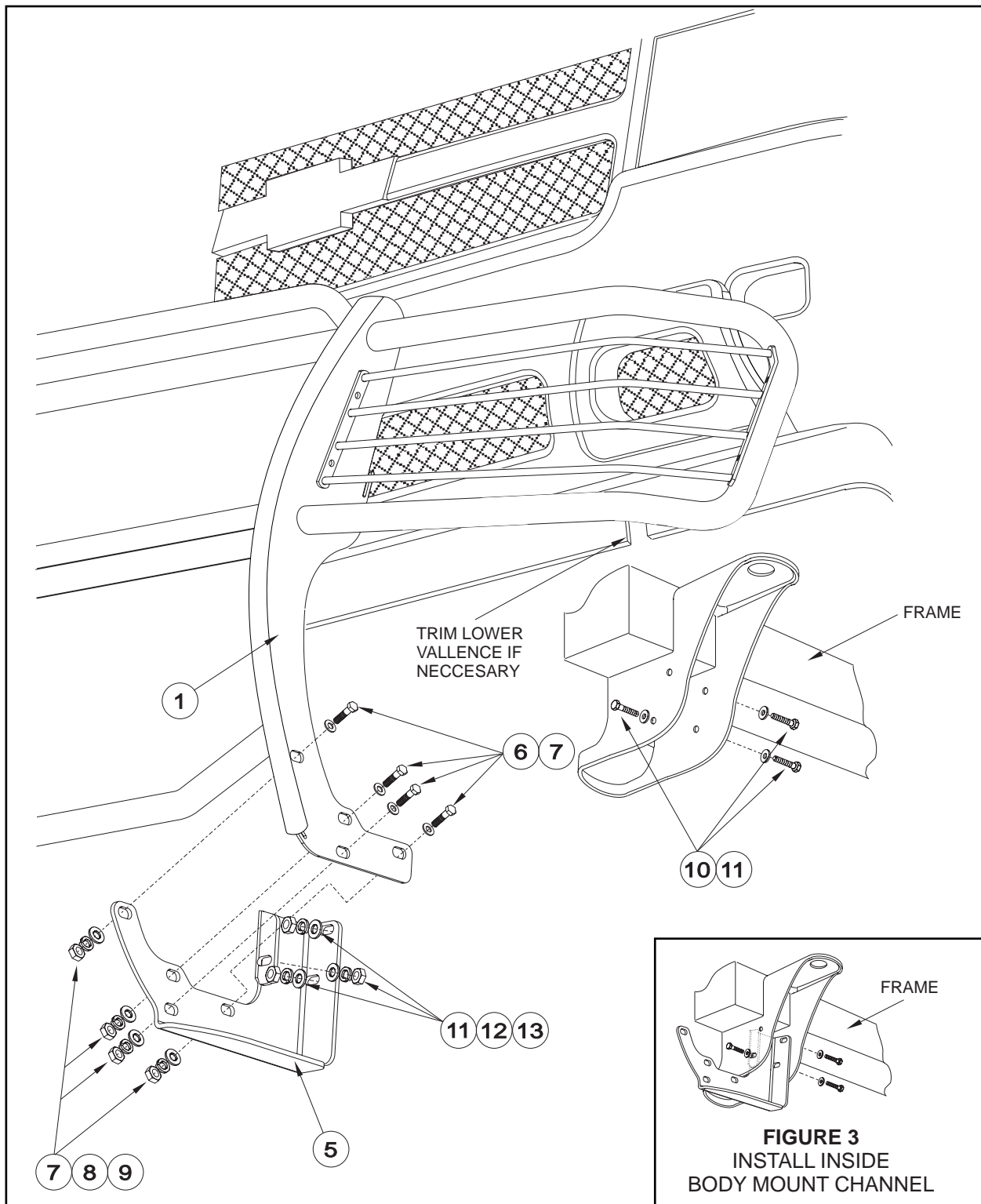
- STEP 1. Remove the contents from box and check for damage. Verify all parts are present. Read instructions completely before beginning.
- STEP 2. Attach light guard assemblies as shown. **SEE FIGURE 1.**
- STEP 3. From underneath the front of vehicle, locate the front body mount. Determine passenger and driver side mount brackets. Install brackets inside body mount channel with 3/8" fasteners as shown. **SEE FIGURES 2 AND 3.** Hand tighten. It may be necessary to trim lower valance.  
**NOTE:** If vehicle is equipped with underbody shield package it will be necessary to remove the front shield. If shield is to be reinstalled, both ends will need to be trimmed to fit around mount brackets. Mounting hardware supplied with the Sportsman will still be used.
- STEP 4. Place Sportsman up to the front of vehicle and align the slots on upright with the slots on the brackets.  
**NOTE:** The upright legs will mount to the outside face of the brackets. Secure the Sportsman to the brackets using 1/2" fasteners. **SEE FIGURE 2**
- STEP 5. Center and level Sportsman on vehicle. Torque 1/2" fasteners to 65 Ft.Lbs. and 3/8" fasteners to 30 Ft.Lbs.
- STEP 6. FOR CHROME ASSEMBLIES ONLY. If light glare is being experienced off the wings of the Sportsman, anti reflective tape has been supplied to reduce glare. With headlights on, note where the reflection is concentrated on the wing. Clean the wing well with a non-abrasive cleaner (rubbing alcohol works the best.) Trim the anti-reflective tape to the appropriate size where the glare was located and apply tape. **SEE FIGURE 1.**

ITEM	QTY.	DESCRIPTION
1	8	1/4-20 X 1.00" BUTTON HEAD BOLT
2	8	1/4" FLAT WASHER
3	4	1/4" INTERNAL TOOTH LOCK WASHER
4	4	1/4-20 NYLON NUT
5	8	RUBBER WASHER

NOTE: ALL FASTENERS MAY NOT BE USED.



**FIGURE 1**  
LIGHT GUARD INSTALLATION



**FIGURE 2**  
INSTALLATION VIEW OF DRIVER SIDE,  
PASSENGER SIDE OPPOSITE

Finish protection - Westin products have a high quality finish that must be cared for like any other exposed finish on the vehicle. Protect the finish with a non-abrasive automotive wax (pure carnauba, for example) on a regular basis. The use of cleaner wax or any compound which contains an abrasive is detrimental, as the compounds scratch the finish and open it to corrosion.



Westin Automotive Products, Inc.  
5200 N. Irwindale Ave. Suite 220  
Irwindale, Ca. 91706

AUTOMOTIVE PRODUCTS, INC.

Thank You for choosing Westin products  
For additional installation assistance please call  
Customer service (800) 793-7846 or (507) 375-3559