

INSTALLATION MANUAL

Level of Difficulty

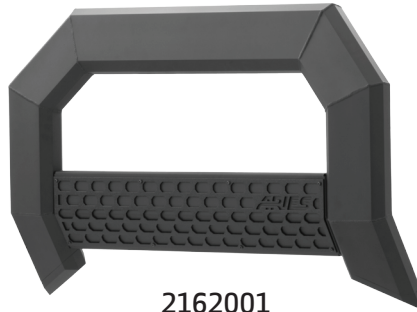
Easy

Parts List

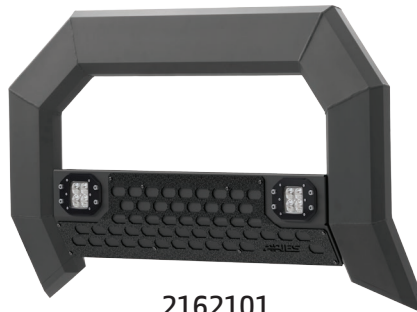
1	Bull bar
2	Driver / left mounting bracket
2	Passenger / right mounting bracket
1	Driver / left bull bar bracket
1	Passenger / right bull bar bracket
1	LED wiring harness*
4	Hex bolt, M8
4	Flat washer, M8
4	Nylock nut, M8
4	Hex bolt, M10
4	Flat washer, M10
4	Nylock nut, M10
2	Nylock nut, M12
2	Hex bolt, M12
2	Flat washer, M12

*Wiring harness only included with LED-equipped models

Product Image



2162001



2162101

Tools Required

Ratchet	Wrench, 13mm
Socket, 13mm	Wrench, 17mm
Socket, 17mm	Level
Socket Extension	

Torque Specifications

Metric		
M6 bolt		3 ft.-lbs.
M8 bolt		7 ft.-lbs.
M10 bolt		16 ft.-lbs.
M12 bolt		28 ft.-lbs.
1/4" bolt		3 ft.-lbs.
5/16" bolt		7 ft.-lbs.
3/8" bolt		16 ft.-lbs.
7/16" bolt		20 ft.-lbs.
1/2" bolt		28 ft.-lbs.

Use above torque setting unless otherwise noted

Notes and Maintenance

Before you begin installation, read all instructions thoroughly.

Proper tools will improve the quality of installation and reduce the time required.

To protect the product, wax after installing. Regular waxing is recommended to add a protective layer over the finish. Do not use any type of polish or wax that may contain abrasives that could damage the finish.

For polished, gloss and other smooth finishes, polish may be used to clear small scratches and scuffs on the finish.

Mild automotive detergent may be used to clean the product. Do not use dish detergent, abrasive cleaners, abrasive pads, wire brushes or other similar products that may damage the finish.

Refer to the table to the left when securing hardware during the installation process to help prevent damage to the product or vehicle.

Step 1

Remove the splash guard.



Step 2

Once the splash guard is removed, remove the factory bolt on the driver side.



Step 3

After the bolt is out, take the driver-side bracket and attach using the factory bolts.

With the bottom bolt snug, use an M12 bolt, flat washer and nylock nut to secure the top of the bracket.

Snug the hardware, but do not fully tighten.



Step 4

Repeat steps 2 and 3 on the passenger side.



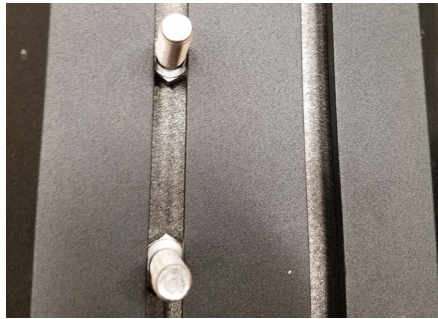
Step 5

To attach the bull bar mounting brackets, lay the bull bar on a flat surface.

Insert two M8 hex bolts into the inner rail slot.

Place the driver-side bracket over the bolts and secure the bracket to the bull bar using an M8 flat washer and M8 nylock nut.

Snug the hardware, but do not fully tighten.



Step 6

With help, lift the bull bar into place and align the mounting tabs on the outside of the mounting brackets.



Step 7

Insert an M10 hex bolt with a flat washer on the outside of the bracket and an M10 flat washer and nylock nut on the inside.

Snug the hardware, but do not fully tighten.

Repeat this process for all mounting locations.



Step 8

Level and adjust the bull bar into the desired position and tighten all hardware to the recommended torque specifications listed in the table on the first page.

If your bull bar is not equipped with lights, skip to step 11.

If your bull bar is equipped with lights, complete steps 9 and 10.

Note: If the LED lights are being used with a 24V system, the 12V relay will need to be replaced with a 24V unit.



Step 9

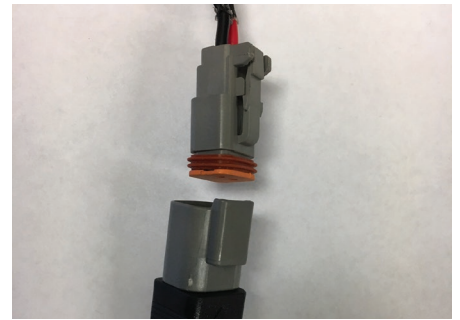
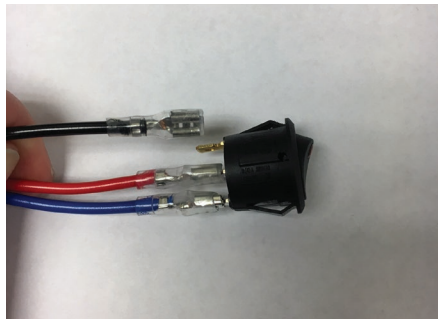
Disconnect the supplied switch from the wiring harness and install in the desired location.

With the switch installed, route the wiring harness to the LED lights and the switch.

Reconnect the blue, red and black spade connectors to the switch as shown.

Note: The black wire connects to the gold switch terminal.

Plug the male connector on the wiring harness into the female connector attached to the LED lights.



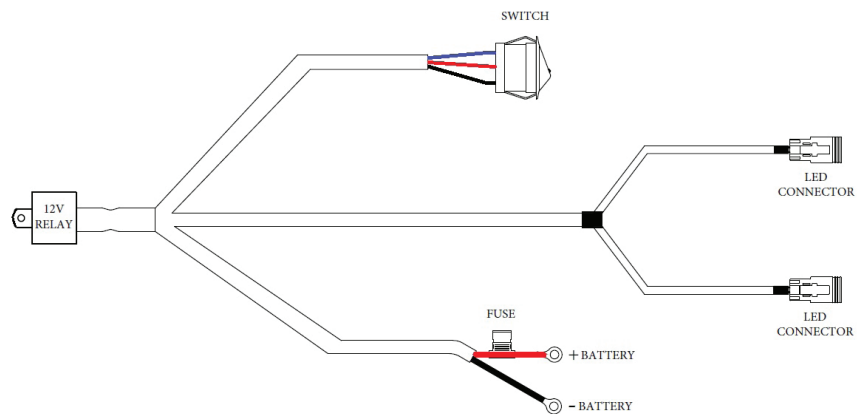
Step 10

Connect the red fused wire with the ring terminal to the positive battery post.

Connect the black wire ring terminal to the negative battery post or other suitable vehicle grounding point.

Mount the supplied relay to the vehicle and secure all wires with zip ties away from moving parts to avoid damage.

Test the lights to ensure proper function.



Step 11

Congratulations on the installation of your new ARIES AdvantEDGE™ bull bar.

With the bull bar installed, periodic inspections should be performed to ensure all mounting hardware remains tight.

To protect your investment, see the 'Notes and Maintenance' section on the first page of this instruction manual.

