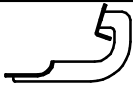



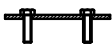







INSTALLATION INSTRUCTION
 For Ford F150 Super Crew Cab 01-04
 ITEM NO:4505

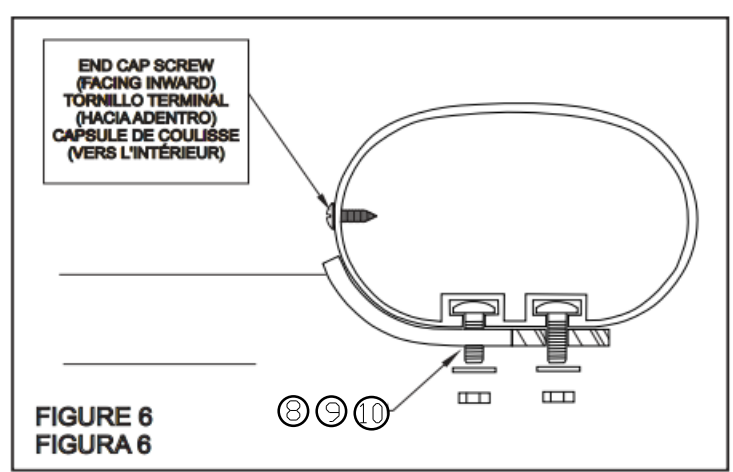
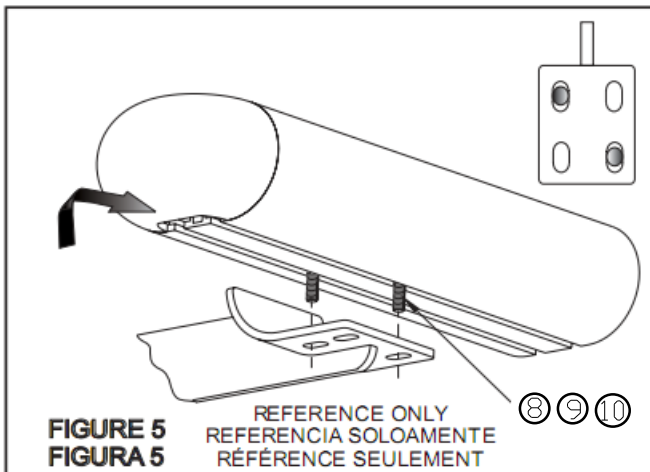
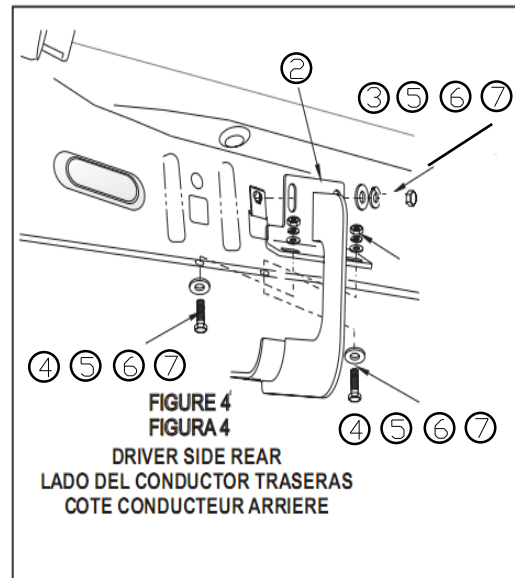
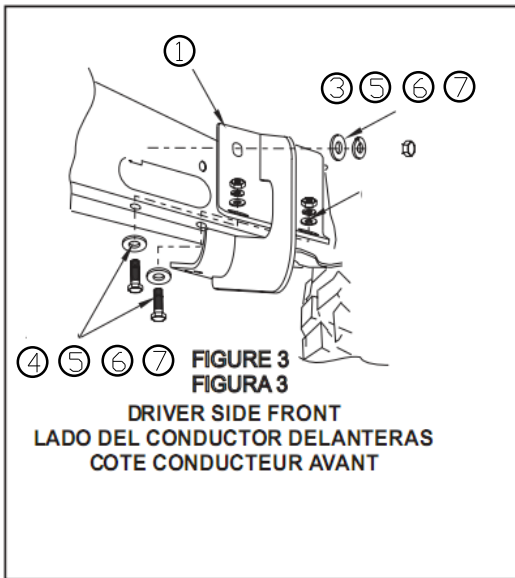
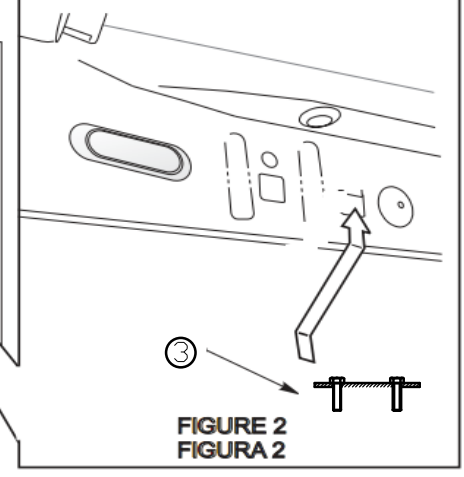
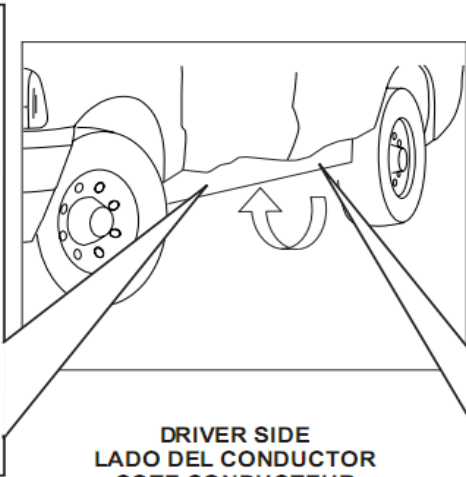
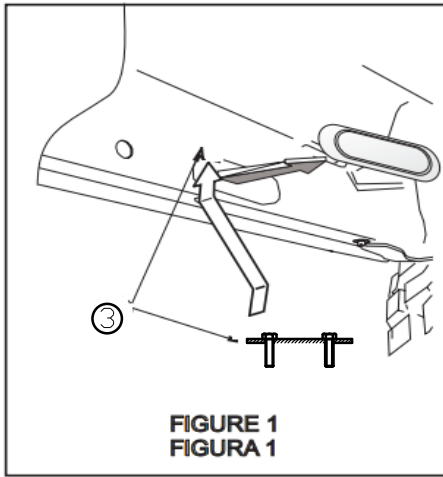
ATTENTION

1. Please read this installation instruction before installing this part.
 When install it, please pay attention to protecting your vehicles.
2. When you use it, please check this parts at a fix time-lapse, such as one month or two month.

PARTS LIST

No	Name	Photo	Qty	Remarks	No	Name	Photo	Qty	Remarks
①	Mount Bracket1		2	lateral symmetry	⑨	flat washer		16	M6
②	Mount Bracket2		2	lateral symmetry	⑩	LOCK NUT		16	M6
③	"T" Bolt		4	M10*35					
④	Hex Bolt		8	M10*35					
⑤	Flat Washer		24	M10					
⑥	Lock Washer		12	M10					
⑦	Hex Nut		12	M10					
⑧	"T"Bolt		4						

Installation Diagram



INSTALLATION STEPS

- STEP 1: Check the parts in the box carefully if match above list .
- STEP 2: Pls Pre Pare the tools for installation follow as: 10-12wrench 14-17 wrench .
- STEP 3: Put the mount bracket into the girder of the car, and tighten it with ③ ④.
- STEP 4: Install the Side Bar to the mount bracket, and tighten it with ⑧.
- STEP 5: Installation is finished.