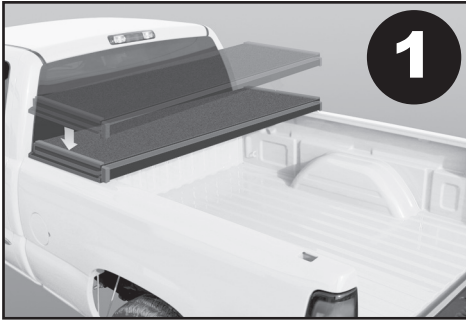




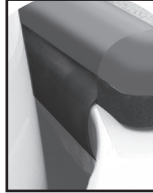
# EZFOLD Hard Tonneau Installation Instructions

333 Centennial Parkway, Suite B. • Louisville, CO 80027 • 1-800-845-3567

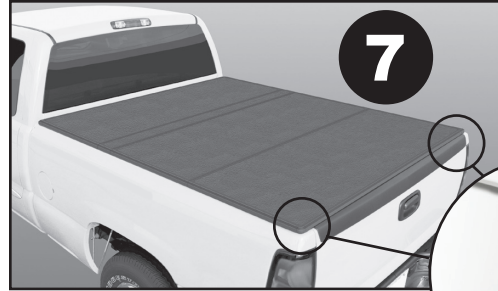


**1**

**1.** Place the cover on front of truck bed.



Place dust seal between cab and truck bed.



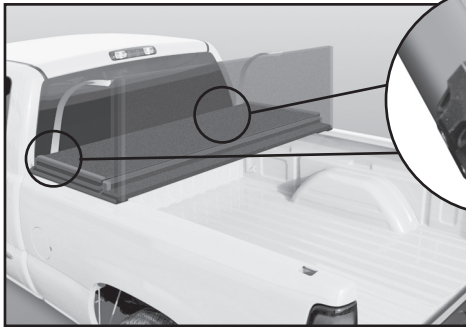
**7**

**7.** Cover is laying down flat.



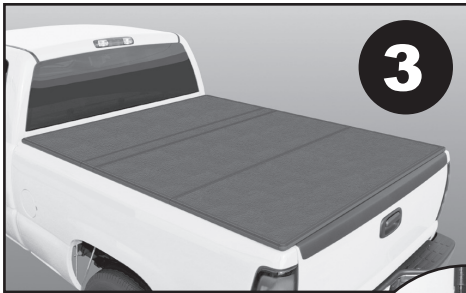
**8**

**8a.** Secure tailgate clamp hooks for a snug fit.



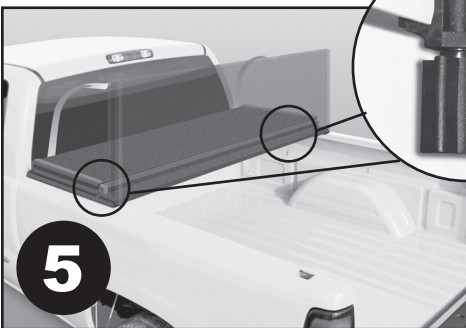
**2**

**2.** Undo both tie-down straps so cover can be unfolded.



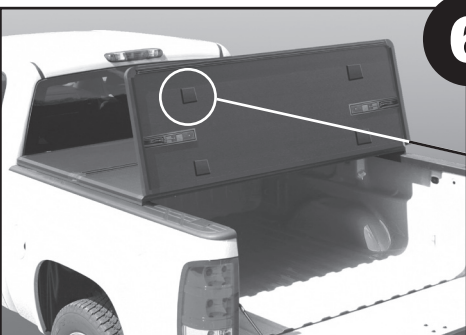
**3**

**3.** Unfold the cover all the way open to align cover on the truck bed rails before clamping.



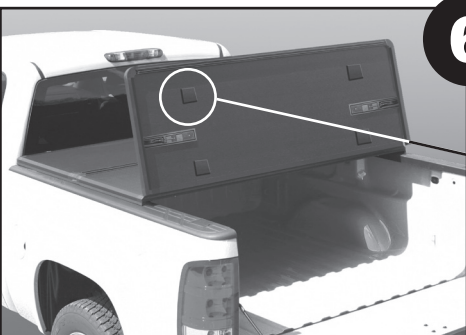
**4**

**4.** Secure cab clamp hooks under the metal bed rail. Toyota Models Only - Tighten lock nut at bottom of knob.



**5**

**5.** Unfold first section.

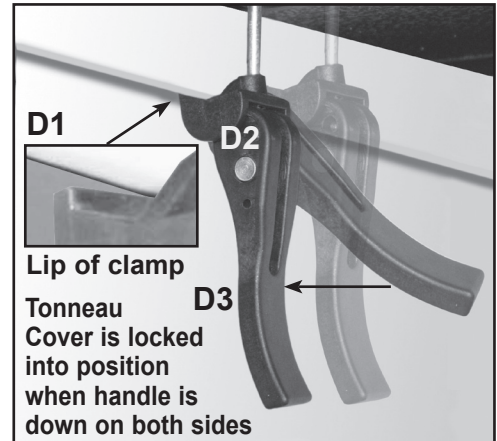


**6**

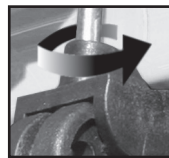
**6.** Unfold second section.

### IMPORTANT

DO NOT remove foam blocks. They protect surface of panel when folding. Voids Warranty.



**8b.** To clamp cover down, put lip of clamp hooks under the side metal bed rail and push handle down. (See D1, D2, D3)

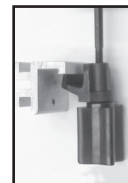


### How To Adjust Clamps

- To adjust, turn clamp hook clockwise to tighten or counter clockwise to loosen.

### 9. Vehicles With Utility Track

- A.** Slide aluminum blocks into track, position and tighten set-screw.
- B.** Secure cab and tailgate clamp hooks on to aluminum blocks.



Cab



Tailgate

### 10. Paint Protectors

- A.** Apply to inside metal bed rail at each latch location

\*Patent No's.

8,348,328/8,256,824/8,511,736