








Installation Instructions Header Windshield Channel

Vehicle Application:

- Jeep JK Wrangler and Wrangler Unlimited
2007 – Current
Part Number: 51243

www.Bestop.com - We're here to help! Visit our web site and click on "[Ask a Question](#)". Click here for more [Jeep® Accessories by Bestop](#).

INSTALLATION TIME	SKILL LEVEL	
 3/4 Hour	 2 - Moderately Easy	
TOOLS		
 Phillips Screwdriver	 Adjustable Wrench	 Safety Glasses



⚠ WARNING This product is designed primarily to enhance the appearance of the vehicle. Do not rely in any way on the components of this product to protect against injury or death in the event of an accident. Never operate the vehicle in excess of manufacturer's specifications.

WEAR SEAT BELTS AT ALL TIMES

Read and follow, precisely, all installation instructions provided when installing product. Failure to do so may result in a poor fit and could place occupants of the vehicle in a potentially dangerous situation.

Header Windshield Channel Installation Instructions

Parts List and Hardware Identification

Windshield Header, Part Number 423.45, Qty - 1

Header Knob, Part Number 440.55, Qty - 2

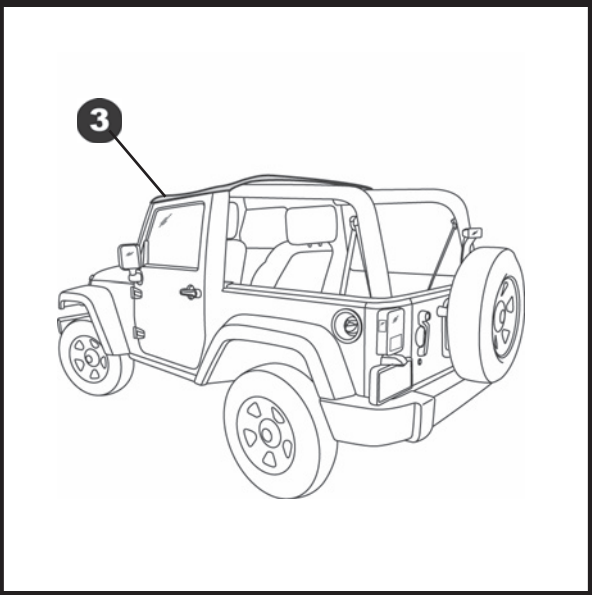
Header Knob Base - Right, Part Number 445.08, Qty - 1

Header Knob Base - Left, Part Number 445.09, Qty - 1

Header Knob Plate, Part Number 445.10, Qty - 2

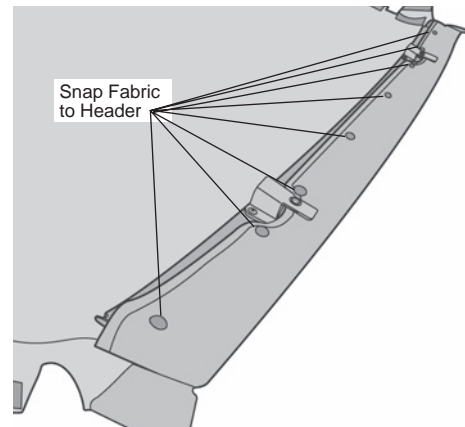
#10-24 Locknut, Part Number 195.93, Qty - 8

#10-24 x 3/8" Phillips Truss Head Screw, Part Number 195.92, Qty - 8



2 Snap Bikini to Header

Slide the pocket sewn along the front of the Bikini over the edge of the header and snap it to the snaps.

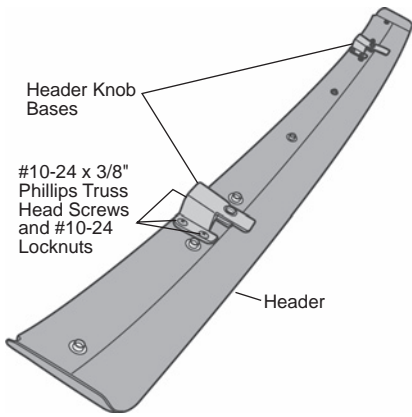


1 Install Header Knob Bases on Header

The bottom of each Header Knob Base is stamped with an R for right or an L for left.

Place the Right Header Knob Base over the four holes with the tab of the base pointing to the front of the Header. Secure the Header Knob Base to the Header with four (4) #10-24 x 3/8" Phillips Truss Head Screws and four (4) #10-24 Locknuts.

Repeat this procedure with the left base.



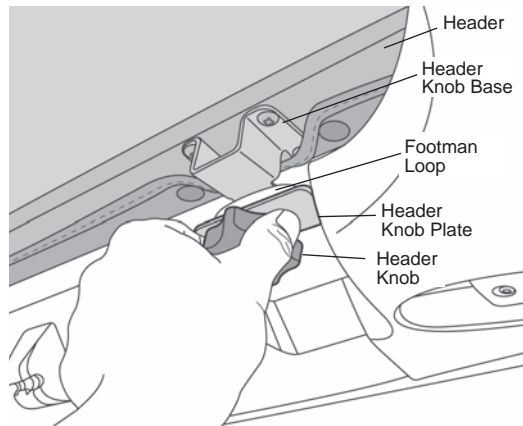


Header Windshield Channel Installation Instructions

3 Secure Header to Windshield

Center the Bikini on the vehicle. Place the tabs on the Header Knob Bases above the footman loops in the windshield frame. Place a Header Knob Plate under a footman loop. Install a Header Knob through the plate and footman loop and thread it into the Header Knob Base. Repeat this with both Header Knob Bases.

Install the rest of the Bikini as detailed in the Bikini Installation Instructions.



For Bestop Warranty Information, Please go to;
<https://www.bestop.com/help/warranty-information/>

