



Installation Instructions Element Door Enclosure (Front)

Vehicle Application:
Jeep® JL Wrangler, JL Wrangler Unlimited And Gladiator
2018-current
Part Number 51744

Installation Tips

Before you install your new Bestop Element Door Enclosure, Please read all the instructions thoroughly.


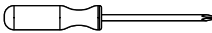

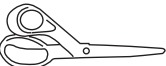
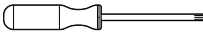

WARNING This product is designed primarily to enhance the appearance of the vehicle and to shield the occupants from ordinary weather conditions. Do not rely in any way on the components of this product to protect against injury or death in the event of an accident. Never operate the vehicle in excess of manufacturer’s specifications.

Read and follow, precisely, all installation instructions provided when installing this product. Failure to do so may result in a poor fit and could place occupants of the vehicle in a potentially dangerous situation.


CAUTION Safety glasses should be worn at all times when installing this product.

WEAR SEAT BELTS AT ALL TIMES



Tools		
 Safety Glasses	 Phillips Screwdriver	 3/8" and 10 mm Wrench
 Scissors	 T20 and T30 Torx Driver	 5mm Hex Socket

Installation Time



30 Minutes

Skill Level

1 2 3 4

1 - Easy

Support

We're here to help! Go to:
<https://www.bestop.com>
and click on **Need Help?**



<https://www.bestop.com/video-library>



Installation Instructions Element Door Enclosure (Front)

Vehicle Application:
Jeep® JL Wrangler, JL Wrangler Unlimited And Gladiator
2018-current
Part Number 51744

Sugerencias de Instalación

Antes de empezar a instalar esta unidad, lea atentamente todas las instrucciones.

Para un buen ajuste:

Para facilitar la instalación, el producto debe instalarse a temperaturas superiores a 72 °F (22 °C).

Por debajo de esta temperatura, la tela puede encogerse una pulgada o más, lo que dificultaría su ajuste al vehículo.

Es normal que la tela se contraiga o arrugue cuando está guardada en la caja de empaque. A los pocos días después de la instalación, la tela se relajará y las arrugas desaparecerán.



ADVERTENCIA

Este producto se diseñó principalmente para mejorar la apariencia del vehículo y proteger a los ocupantes de las condiciones climáticas comunes. De ninguna manera piense que los componentes de este producto pueden servir como medio de contención para los ocupantes del vehículo o que pueden protegerlos contra lesiones o la muerte en caso de accidente. Este producto no protegerá a los ocupantes contra caídas de objetos. Nunca conduzca este vehículo fuera de las especificaciones del fabricante.

USE LOS CINTURONES DE SEGURIDAD EN TODO MOMENTO

Lea y siga con precisión todas las instrucciones de instalación que se proporcionan para instalar este producto. Si no lo hace, podría producirse un mal ajuste que colocaría a los ocupantes del vehículo en una situación potencialmente peligrosa.



PRECAUCIÓN

Debe usar gafas protectoras en todo momento durante la instalación de este producto.

Conseils pour l'installation

Lire toutes les instructions au complet avant de commencer l'installation de cet assemblage.

Pour un ajustement sans problème :

Afin de faciliter l'installation, ce produit doit être installé à des températures au-dessus de 72 °F (22 °C).

Sous cette température, le tissu peut rétrécir d'un pouce (2,5 cm) ou plus, ce qui rendra l'ajustement sur le véhicule difficile.

Il est normal que le tissu rétrécisse et plisse pendant qu'il est dans la boîte d'expédition. En quelques jours après l'installation, le tissu se détendra et les plis disparaîtront.



AVERTISSEMENT

Ce produit est conçu principalement pour améliorer l'apparence du véhicule et pour protéger les occupants des conditions météorologiques usuelles. Ne jamais se fier aux composants de ce produit pour se protéger de blessures ou de la mort en cas d'accident. Ce produit ne protégera pas les occupants des chutes d'objets. Ne jamais utiliser le véhicule au-delà des caractéristiques techniques indiquées par le fabricant.

PORTER UNE CEINTURE DE SÉCURITÉ EN TOUT TEMPS

Lire et suivre, très fidèlement, toutes les instructions d'installation fournies lors de l'installation de ce produit. Ne pas suivre cette consigne peut causer une installation inadéquate et mettre les occupants du véhicule dans une situation potentiellement dangereuse.



MISE EN GARDE

Des lunettes de sécurité doivent être portées en tout temps lors de l'installation de ce produit.

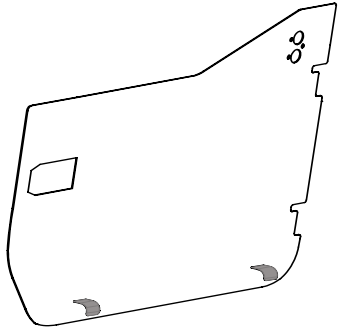
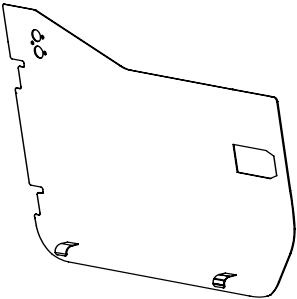


Installation Instructions Element Door Enclosure (Front)

Vehicle Application:
Jeep® JL Wrangler, JL Wrangler Unlimited and Gladiator
2018-current
Part Number 51744

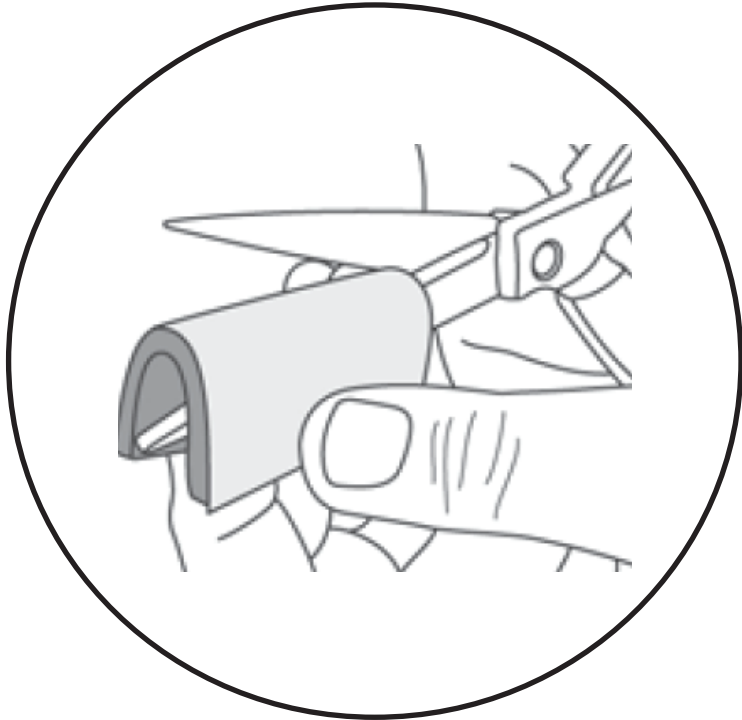
Parts List

- Required parts for installation

 <p>Panel, Left (Driver) Side Part #587.89 Qty. 1</p>	 <p>Panel, Right (Passenger) Side Part #587.88 Qty. 1</p>
--	--

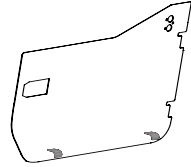
 <p>Screw, 1/4 - 20 x 3/4 Pan Head Part #257.92 Qty 6</p>	 <p>Seal Part #445.84 Qty 1</p>	 <p>Foam Tape Part #449.09 Qty 1</p>
--	---	---

Step 1

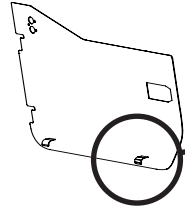


Hardware

 Foam Tape
Part #449.09
Qty 1

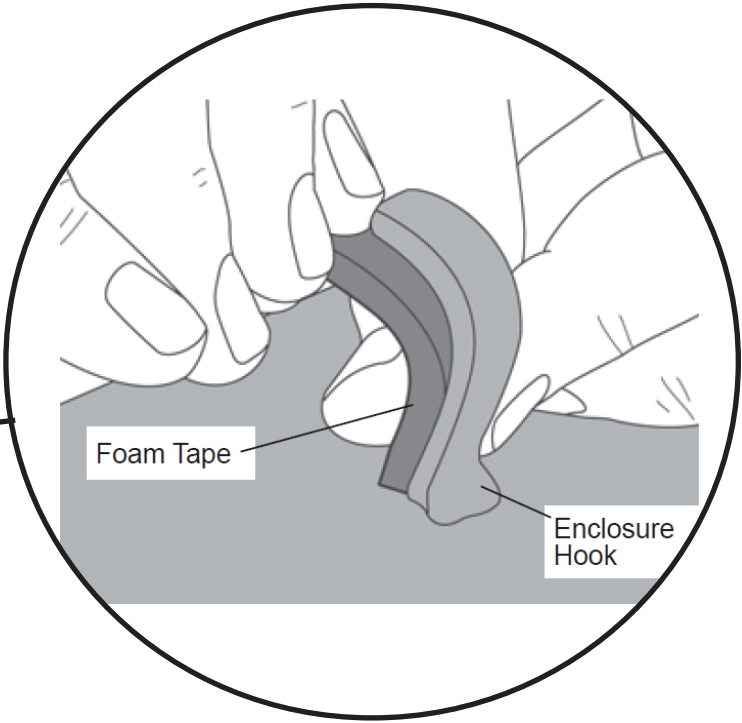


Panel, Left (Driver) Side
Part #587.89
Qty. 1

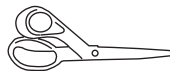


Panel, Right (Passenger) Side
Part #587.88
Qty. 1

Step 2



Tools



Scissors

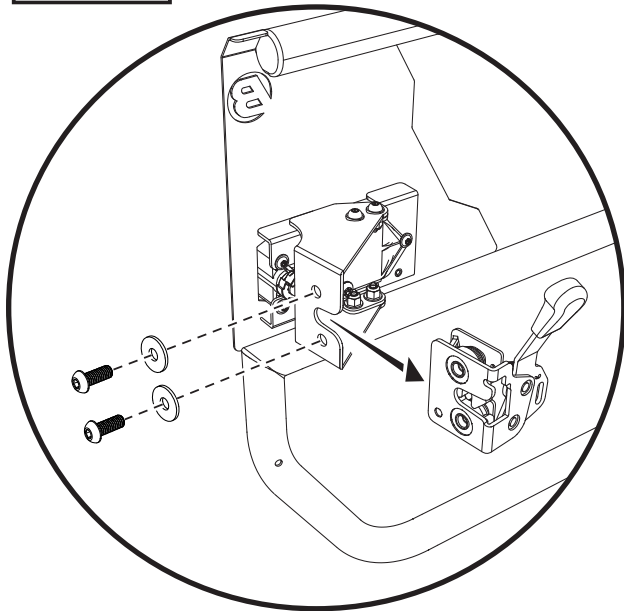
Step 1

Cut the Foam Tape #449.09 to fit the hooks on the enclosures.

Step 2

Peel the backing off of the piece of foam tape then press it firmly into the curve of the hook. Repeat this step to all of the hooks.

Step 1



Step 1

Remove the Rotor Assembly from the Rotor Bracket using the 5mm Hex Socket.

Tools



T20 and T30 Torx Driver

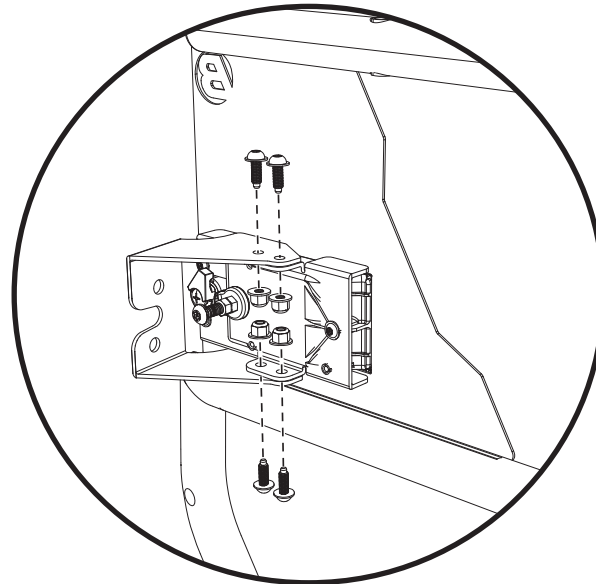


5mm Hex Socket



10 mm Wrench

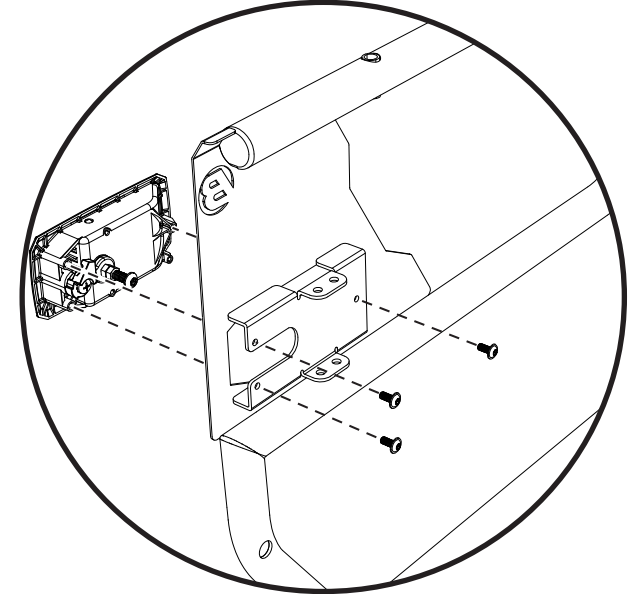
Step 2



Step 2

Remove the Rotor Bracket from the Door Handle using the T30 Torx Driver and the 10mm Wrench.

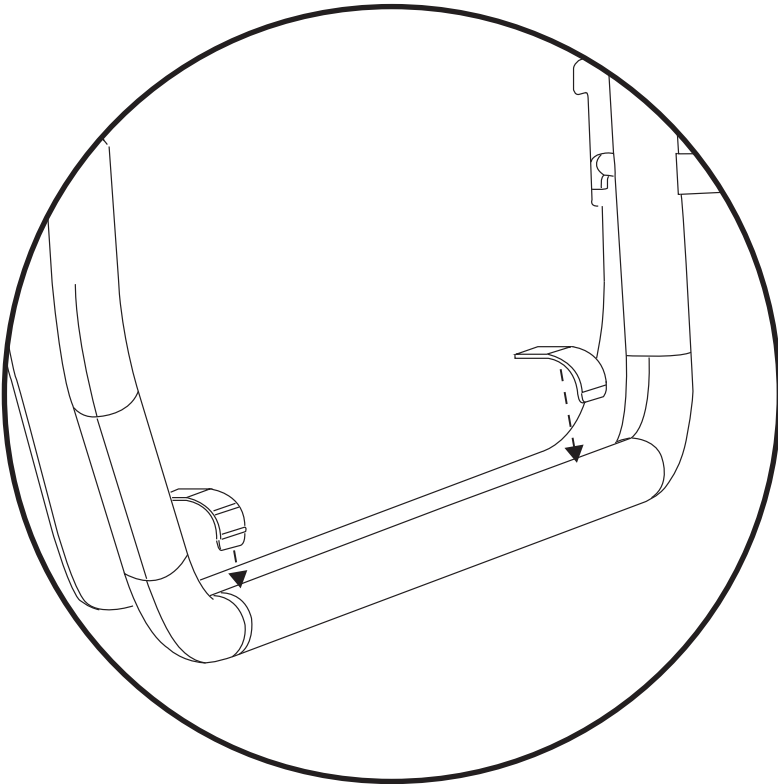
Step 3



Step 3

Remove the Paddle Handles from the Element door frames using the T20 Torx Driver.

Step 1

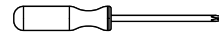


Hardware



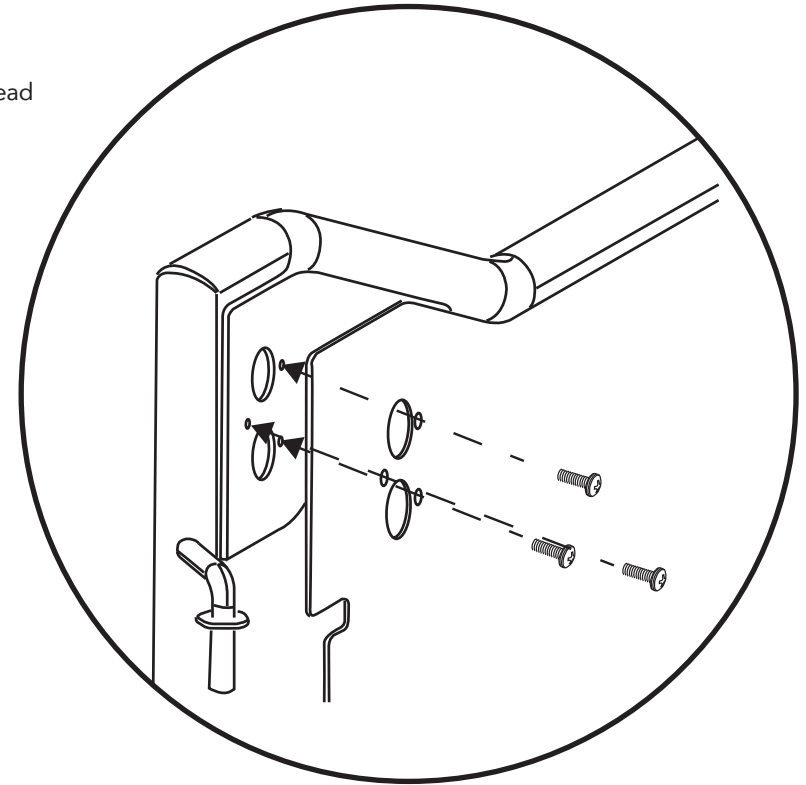
Screw, 1/4 - 20 x 3/4 Pan Head
Part #257.92
Qty 6

Tools



Phillips Screwdriver

Step 2



Step 1

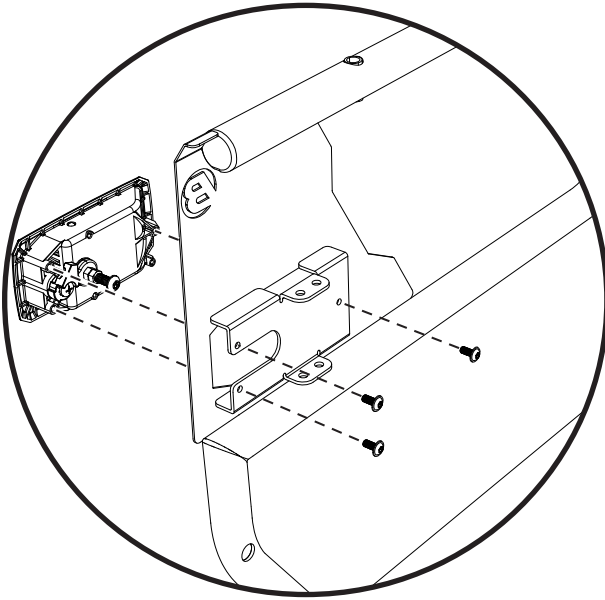
Place the hooks on the lower part of the Enclosure Panel onto the lower bar of the Element Door Frame.

Step 2

Install three (3) 1/4-20 x 3/4 inch screws Part # 257.92 Through the Enclosure panel into the plate located in the upper front corner of the Element Door frame.

The Enclosure Panel can also be secured by installing the OE mirrors from the factory doors. or Bestop Replacement Mirrors Part Number 51261-01.

Step 1



Step 1

Re-attach the Paddle Handle assemblies to the Element Doors.

Insert each Paddle Handle assembly into the pocket in the Element Door.

Make sure that the lock on the Paddle is toward the rear of the door.

Tools



T20 and T30 Torx Driver

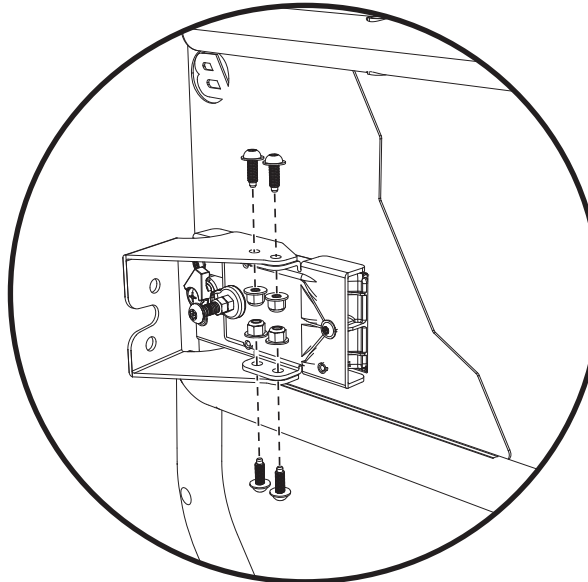


5mm Hex Socket



10 mm Wrench

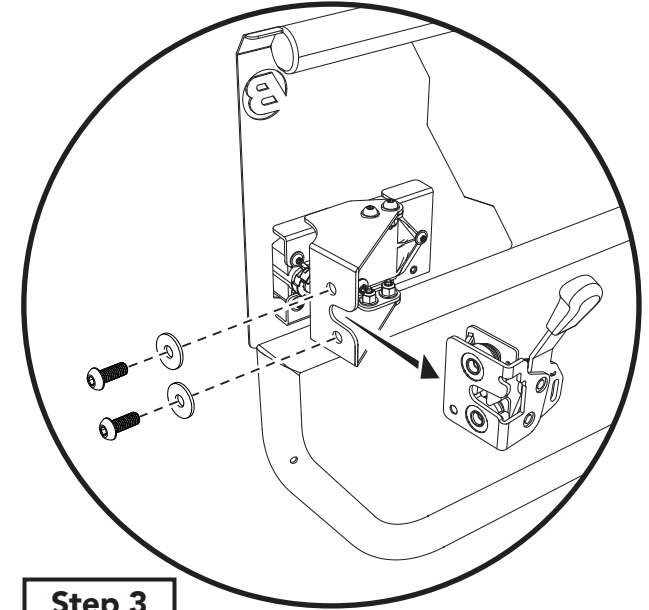
Step 2



Step 2

Re-attach the Rotor Brackets to the rear of the Paddle Latch pockets in each door.

Step 3



Step 3

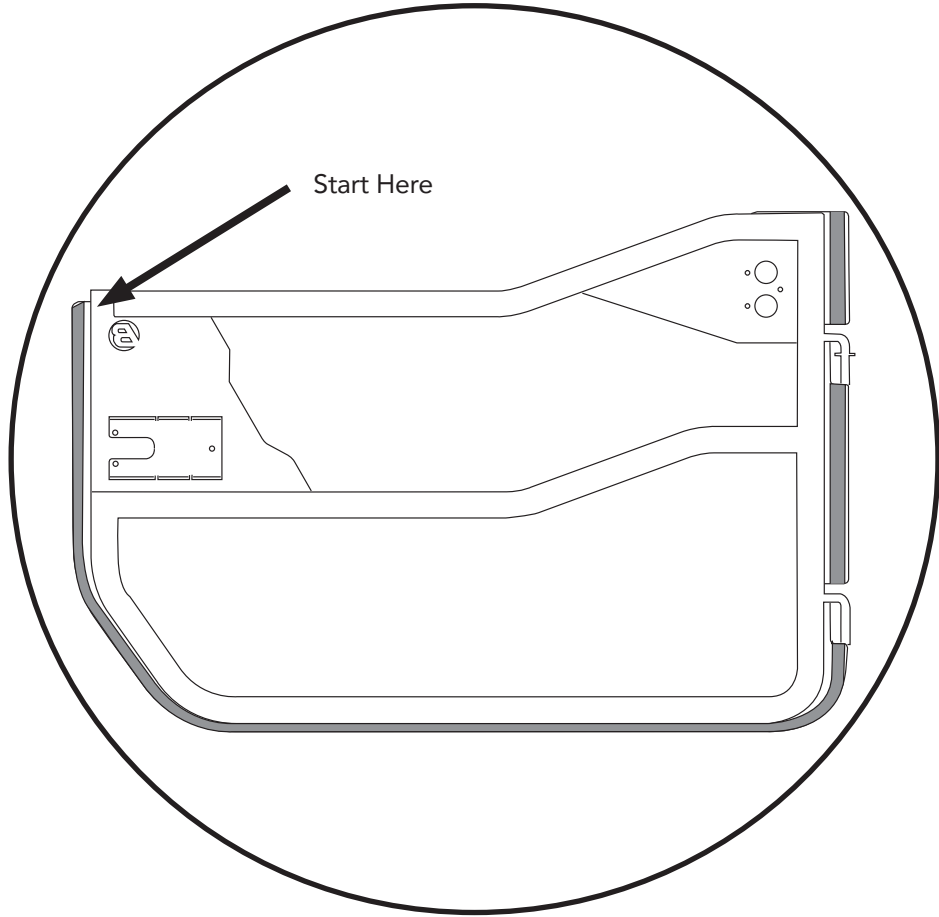
Re-attach the Rotor Assemblies to the Rotor Brackets.

Make sure that Rotor Assembly and Paddle Assembly are aligned to each other when assembled.

NOTE: Incorrectly-installed Rotor Assemblies will be crooked, and will run into the Rotor Brackets.

Step 1

Hardware



Seal
Part #445.84
Qty 1

Step 1

Cut the Seal in half. Peel off the strip from the adhesive Seal Part # 445.84 then start from the top of the Enclosure Panel (Inside) work your way down and around to the front of the door and up to the top front of the door. Cut the seal around the door pins.



Care and Maintenance of your Bestop Product

Your Bestop product is made of the finest materials available. To keep it looking new and for the maximum possible wear, it will need periodic cleaning and maintenance.

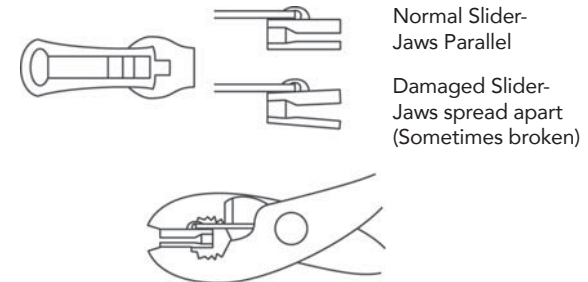
Fabric: The fabric should be washed often using soap, warm water and a soft bristle brush. Rinse with clear water to remove all traces of soap. Bestop recommends using Bestop Cleaner (part no. 11201-00) and Bestop Protectant (part no. 11202-00) for Vinyl fabric and Bestop Twill Protectant (part no. 11207-00) for Twill fabric. Bestop Cleaner and Bestop protectant are specially formulated to provide a total cleaning and protection system. Bestop Cleaner safely removes the toughest stains, will not harm vehicle finishes, is biodegradable and environmentally friendly. Bestop Protectant protects against UV-fading, cracking and hardening, and repels dust, grease, dirt and mildew.

Windows: Keep windows clean to avoid scratching. **DO NOT** use a brush on the windows! Wash with a water-soaked cloth or sponge and a mild dishwashing detergent. Bestop recommends Bestop Vinyl Window Cleaner (part no. 11203-00), which safely cleans and protects vinyl windows and helps prevent UV damage. **NEVER WIPE THE WINDOWS WHEN THEY ARE DRY.** Be careful when cleaning snow or frost from the vinyl windows since they are easily scratched and may crack at low temperatures. **DO NOT** roll the sides or rear window in cold weather. The windows become stiff and will crack. Cracks caused by misuse in cold temperatures are not covered under warranty.

Water: Seeping through at the seams may be stopped by applying 3-M Scotchgard® on the inside of the seams.

Snaps: Keep snaps cleaned and lubricated with silicone to help prevent snaps from sticking to the studs. If a snap does become stuck to a stud, use a screwdriver and **GENTLY** pry apart to prevent permanent damage to the snap or the top fabric.

Zippers: Keeping zippers cleaned and lubricated with Bestop's Zipper Cleaner (part no. 11206-00) will help prevent damage and keep the zippers in smooth working condition. If a zipper opens behind the slider, the slider may have been spread apart. This problem can usually be repaired by using an ordinary pair of pliers to bring the sides back into parallel. Return slider to the end of the zipper in the normal Open position. Squeeze lightly at first and test the zipper. If the zipper continues to remain open squeeze more firmly with the pliers and try the zipper again. Repeat this procedure until the zipper operates correctly.



For Bestop Warranty Information, Please go to;
<https://www.bestop.com/help/warranty-information/>

