



# Installation Instructions





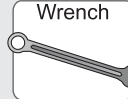


## HighRock 4x4™ Element™

### Lower Door Frame


#### Vehicle Application


- Jeep CJ7 / YJ Wrangler  
1980 - 1995  
Part Number: 51808 / 51824

[www.Bestop.com](http://www.Bestop.com) - We're here to help! Visit our web site and click on "[Ask a Question](#)". Click here for more [Jeep Accessories by Bestop](#).

INSTALLATION TIME	SKILL LEVEL		
 1/2 Hour	 1 - Easy		
TOOLS			
 Safety Glasses	 Phillips Screwdriver	 Wrench 7/16" and 3/8"	 Allen Wrench
 Torx Wrench T-50			



 **CAUTION** Safety glasses should be worn at all times while installing this product.

 **WARNING** This product is designed primarily to enhance the appearance of the vehicle and to shield the occupants from ordinary weather conditions. Do not rely in any way on the components of this product to contain occupants within the vehicle, or to protect against injury or death in the event of an accident. This product will not protect the occupants from falling objects. Never operate the vehicle in excess of manufacturer's specifications.

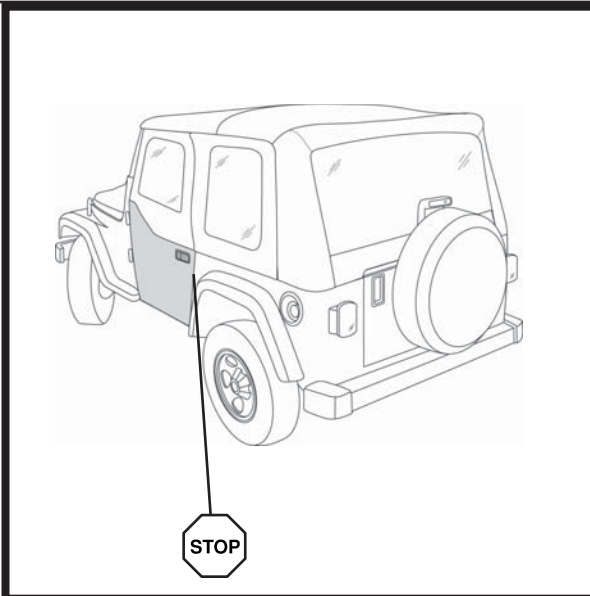
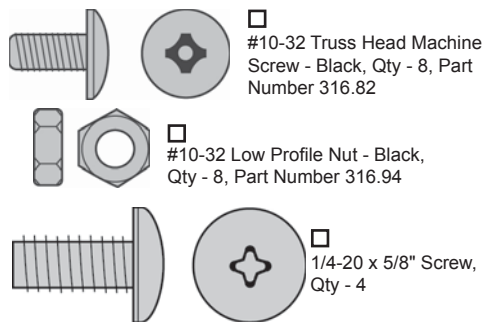
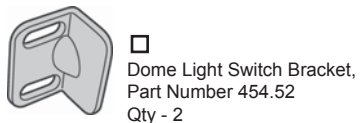
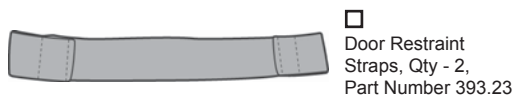
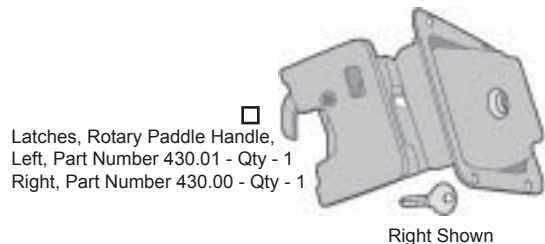
#### WEAR SEAT BELTS AT ALL TIMES

Read and follow, precisely, all installation instructions provided when installing product. Failure to do so may result in a poor fit and could place occupants of the vehicle in a potentially dangerous situation.

# HighRock 4x4™ Element™ Lower Door Frame – Installation Instructions

## Parts List

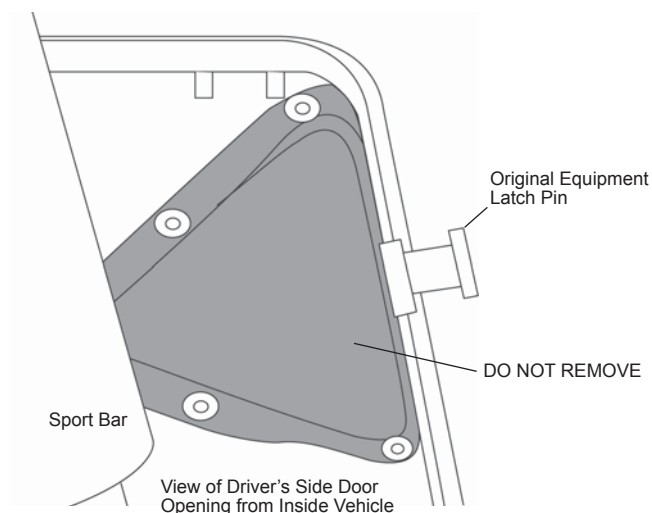
- Right Door Frame, Part Number 422.12 (GLOSS FINISH)  
Part Number 499.48 (MATTE FINISH)  
Qty - 1
- Left Door Frame, Part Number 422.00 (GLOSS FINISH)  
Part Number 499.47 (MATTE FINISH)  
Qty - 1



**WARNING** It is important that the Paddle Handle must align correctly with the automobile manufacturer's original equipment steel latch pin located on the vehicle. Failure to properly install the paddle handle may result in the door accidentally opening. **IMPROPER CLOSURE COULD RESULT IN SERIOUS INJURY OR DEATH TO THE OCCUPANTS. WEAR SEAT BELTS AT ALL TIMES. DRIVE CAREFULLY.**

**NOTE** The Rotary Latch Paddle Handle will only latch on the automobile manufacturer's original equipment steel latch pin located on the vehicle. Do Not remove this part.

**STOP** If your vehicle does not have the latch pin assembly illustrated here, you have an incorrect part for your vehicle. Please call the 1-800 number before attempting installation.

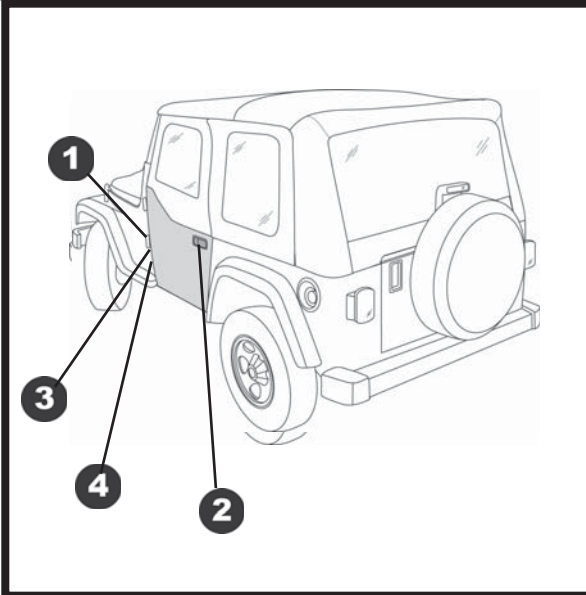
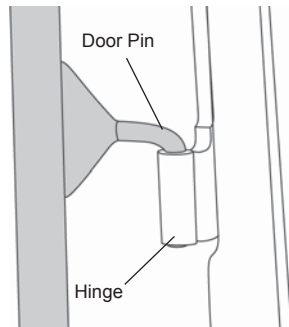


# HighRock 4x4™ Element™ Lower Door Frame – Installation Instructions

## 1 Install Door

Hold the door straight out from the vehicle with the hinge pins over the body hinges. Lower the pins into the hinges. Make sure that the pins are fully inserted into the body hinges.

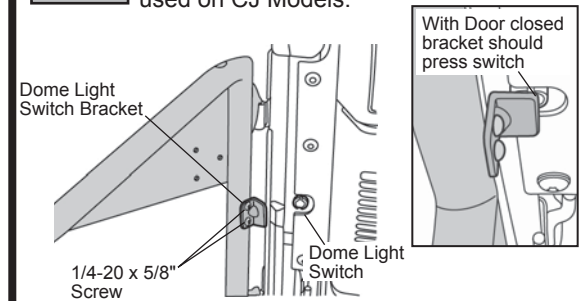
**NOTE** To adjust the latch pin, loosen the pin with a T-50 Torx driver. Reposition the pin so it fully engages into the latch and then retighten the pin. Be sure to readjust the pin if different doors are used later.



## 3 Install Dome Light Switch Bracket

Locate the Dome Light Switch on the vehicle. Mount the Dome Light Switch Bracket to the Door in that location. Adjust the bracket location so that the dome light turns off when the Door is closed. Repeat on both sides of the vehicle.

**NOTE** The Dome Light Switch Bracket is not used on CJ Models.



**IMPORTANT:** You should check the Paddle Handle periodically to ensure the alignment to the door striker is correct, allowing the door to close properly, and that the screws are tight. If out of alignment, align and retighten the screws securely. Repeat for both lower doors. If more adjustment is needed, adjust the vehicle's door striker.

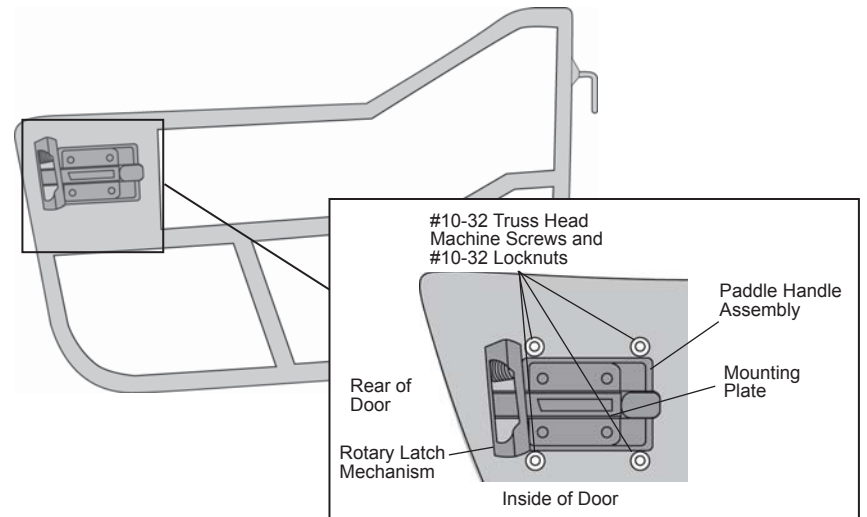
## 2 Install Paddle Handle

Insert the Paddle Handle into the mounting plate so that the latch mechanism is inside of the vehicle and the Rotary Latch Mechanism is toward the rear of the door. Align the four holes in the Paddle Handle Assembly with the four holes in the mounting plate. Insert four #10-32 Truss Head Machine Screws from the outside and secure them with #10-32 Nuts.

Close the door and adjust the latch to ensure it latches properly.

Tighten the screws once the latch works properly.

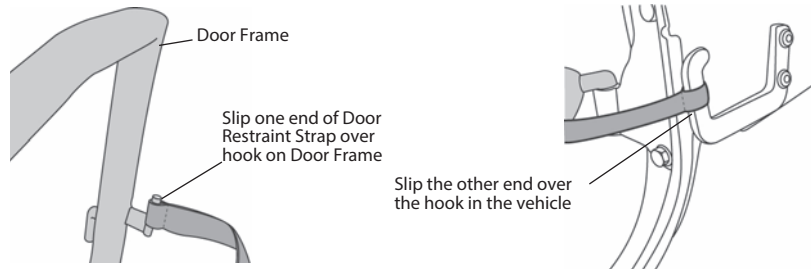
Adjust the factory door striker if necessary to ensure the latch engages properly.



## HighRock 4x4™ Element™ Lower Door Frame – Installation Instructions

### 4 Install Restraint Strap

Locate a Door Restraint Strap in the small parts kit. Slip the loop in one over the hook on the door frame. Slip the loop in the other end onto the hook on the vehicle body.



**For Bestop Warranty Information, Please go to;**  
<https://www.bestop.com/help/warranty-information/>

