



# Installation Instructions HighRock 4x4™ Element™ Rear Door Frame

Vehicle Application:  
Jeep® Wrangler Unlimited 2007-2017  
Part Number 51811/51827

## Installation Tips












Before you install your new High Rock 4x4™ Element™ Door Frame, please read all the instructions thoroughly.

**! WARNING** This product is designed primarily to enhance the appearance of the vehicle and to shield the occupants from ordinary weather conditions. Do not rely in any way on the components of this product to protect against injury or death in the event of an accident. Never operate the vehicle in excess of manufacturer’s specifications.

Read and follow, precisely, all installation instructions provided when installing this product. Failure to do so may result in a poor fit and could place occupants of the vehicle in a potentially dangerous situation.



## WEAR SEAT BELTS AT ALL TIMES

Tools			Installation Time	Support
 Safety Glasses	 #2 Phillips Screwdriver	 3/8" Wrench	 30 Minutes	We're here to help! Go to <a href="http://www.Bestop.com">www.Bestop.com</a> and click on "Contact Us"
 3mm & 5mm Allen Wrenches	 Ratchet	 T40 & T45 Torx Driver	<b>Skill Level</b>     <b>1 - Easy</b>	



## Installation Instructions HighRock 4x4™ Element™ Rear Door Frame

Vehicle Application:  
Jeep® Wrangler Unlimited 2007-2017  
Part Number 51811/51827

### Sugerencias de Instalación

**Antes de empezar a instalar esta unidad, lea atentamente todas las instrucciones.**

#### Para un buen ajuste:

Para facilitar la instalación, el producto debe instalarse a temperaturas superiores a 72 °F (22 °C).

Por debajo de esta temperatura, la tela puede encogerse una pulgada o más, lo que dificultaría su ajuste al vehículo.

Es normal que la tela se contraiga o arrugue cuando está guardada en la caja de empaque. A los pocos días después de la instalación, la tela se relajará y las arrugas desaparecerán.



#### ADVERTENCIA

Este producto se diseñó principalmente para mejorar la apariencia del vehículo y proteger a los ocupantes de las condiciones climáticas comunes. De ninguna manera piense que los componentes de este producto pueden servir como medio de contención para los ocupantes del vehículo o que pueden protegerlos contra lesiones o la muerte en caso de accidente. Este producto no protegerá a los ocupantes contra caídas de objetos. Nunca conduzca este vehículo fuera de las especificaciones del fabricante.

#### USE LOS CINTURONES DE SEGURIDAD EN TODO MOMENTO

Lea y siga con precisión todas las instrucciones de instalación que se proporcionan para instalar este producto. Si no lo hace, podría producirse un mal ajuste que colocaría a los ocupantes del vehículo en una situación potencialmente peligrosa.



#### PRECAUCIÓN

Debe usar gafas protectoras en todo momento durante la instalación de este producto.

### Conseils pour l'installation

**Lire toutes les instructions au complet avant de commencer l'installation de cet assemblage.**

#### Pour un ajustement sans problème :

Afin de faciliter l'installation, ce produit doit être installé à des températures au-dessus de 72 °F (22 °C).

Sous cette température, le tissu peut rétrécir d'un pouce (2,5 cm) ou plus, ce qui rendra l'ajustement sur le véhicule difficile.

Il est normal que le tissu rétrécisse et plisse pendant qu'il est dans la boîte d'expédition. En quelques jours après l'installation, le tissu se détendra et les plis disparaîtront.



#### AVERTISSEMENT

Ce produit est conçu principalement pour améliorer l'apparence du véhicule et pour protéger les occupants des conditions météorologiques usuelles. Ne jamais se fier aux composants de ce produit pour se protéger de blessures ou de la mort en cas d'accident. Ce produit ne protégera pas les occupants des chutes d'objets. Ne jamais utiliser le véhicule au-delà des caractéristiques techniques indiquées par le fabricant.

#### PORTER UNE CEINTURE DE SÉCURITÉ EN TOUT TEMPS

Lire et suivre, très fidèlement, toutes les instructions d'installation fournies lors de l'installation de ce produit. Ne pas suivre cette consigne peut causer une installation inadéquate et mettre les occupants du véhicule dans une situation potentiellement dangereuse.



#### MISE EN GARDE

Des lunettes de sécurité doivent être portées en tout temps lors de l'installation de ce produit.

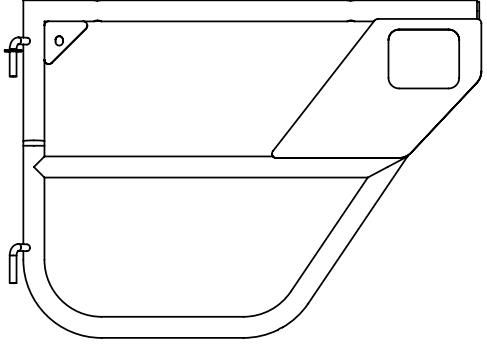
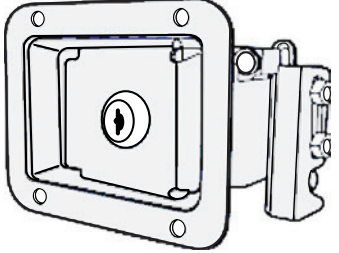
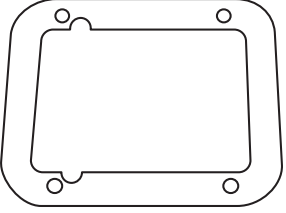
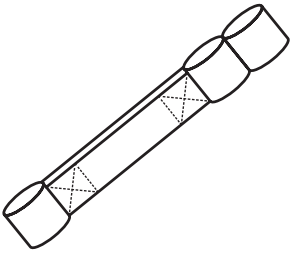


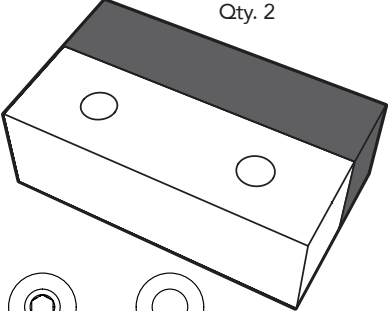
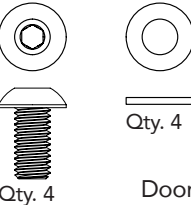


# Installation Instructions HighRock 4x4™ Element™ Rear Door Frame

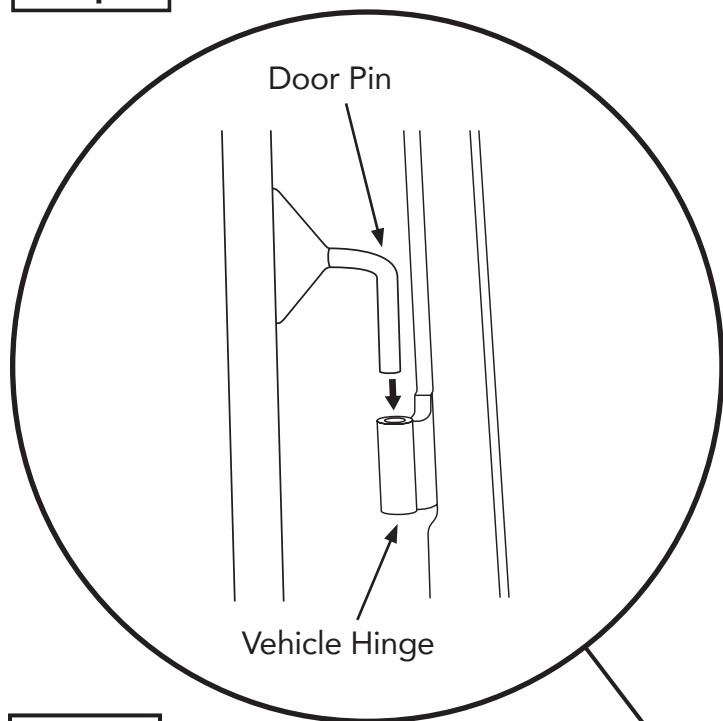
Vehicle Application:  
Jeep® Wrangler Unlimited 2007-2017  
Part Number 51811/51827

## Parts List

- Required parts for installation      - Page number in Installation Guide

All Sections	Element™ Door Parts		Multiple Pages
 <p>Door Frames Left (shown) Part #427.21 (gloss) OR #499.51 (matte) Right #427.22 (gloss) OR #499.52 (matte) Qty. 1 of each</p>	 <p>Latch - Rotary Locking Paddle With Key Part #459.24 Left Part #459.25 Right Qty. 1 of each</p>	 <p>Latch Plate Part #429.41 Qty. 2</p>	 <p>Door Restraint Part #428.59 Qty. 2</p>
 <p>#10-32 Lock Nut - Black Part #316.82 Qty. 8</p>	 <p>#10-32 Truss Head Machine Screw Part #316.94 Qty. 8</p>	 <p>Qty. 2</p>  <p>Qty. 4</p> <p>Qty. 4</p> <p>Door Latch Bumper Kit Kit of Parts #565.91 Qty. 1</p>	

**Step 1**



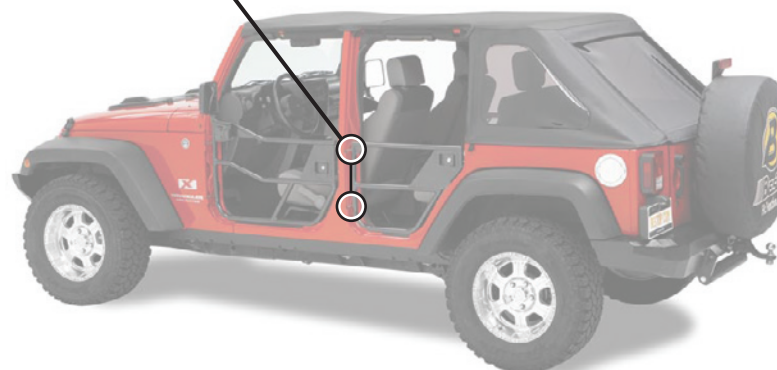
**Step 1**

Hold the door straight out from the vehicle with the hinge pins over the body hinges.

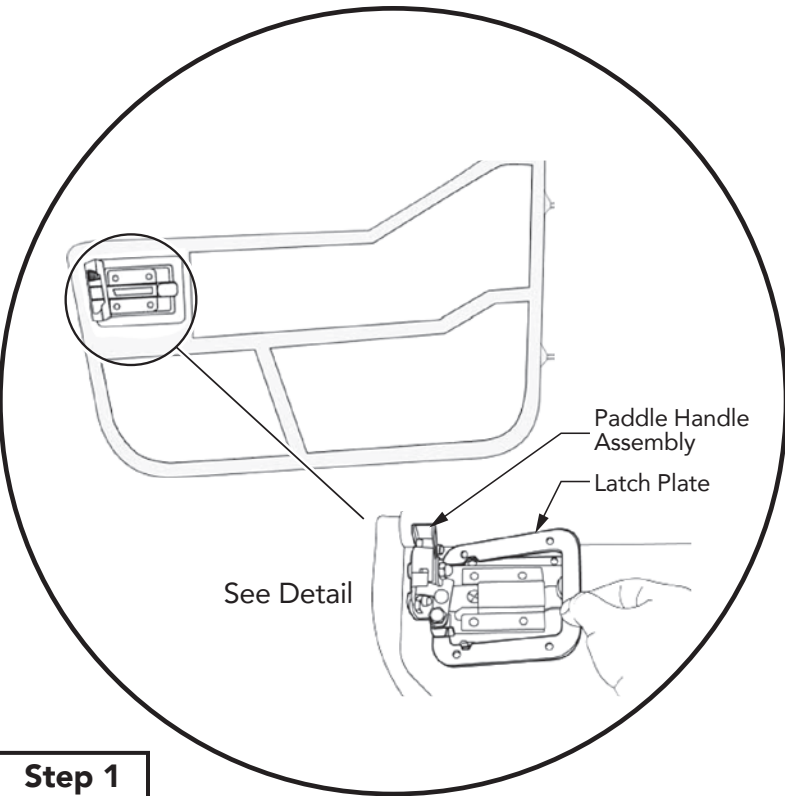
Lower the pins into the hinges.

Make sure that the pins are fully inserted into the body hinges.

Repeat on both sides of the Jeep.



<b>Step 1</b>	459.24	459.25	316.94	316.82
---------------	--------	--------	--------	--------



**Step 1**

In this installation, Paddle Latch #459.24 fits the left (driver) side door, and Paddle Latch #459.25 fits the right (passenger) side door.

Insert the Paddle Handle into the opening in the door plate so that the latch mechanism is inside the vehicle and the Rotary Latch Mechanism is toward the rear of the door.

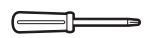
Place the Latch Plate #429.41 over the Paddle Handle on the inside of the door. Align the holes in the Paddle Handle and Latch Plate. Insert four (4) #10-32 Truss Head Machine Screws #316.94 from the outside and secure with four (4) #10-32 Low-Profile Nuts #316.82.

Close the door and adjust the latch to ensure it latches properly.

Tighten the screws once the latch works properly.

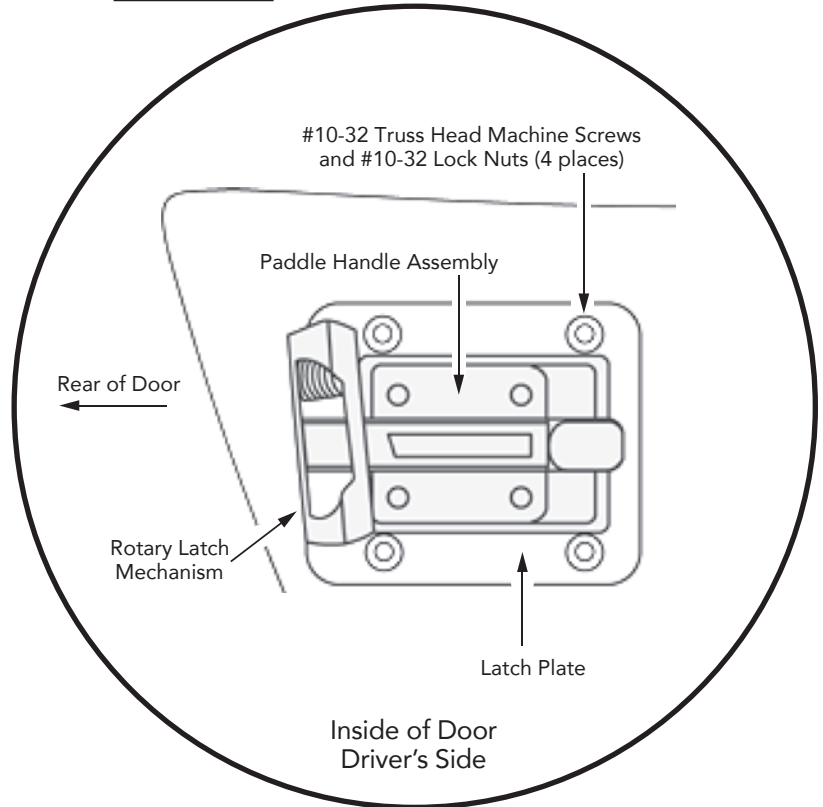
Adjust the factory door striker if necessary to ensure the latch engages properly. (See page 6)

**Tools**



#2 Phillips Screwdriver

**Detail**

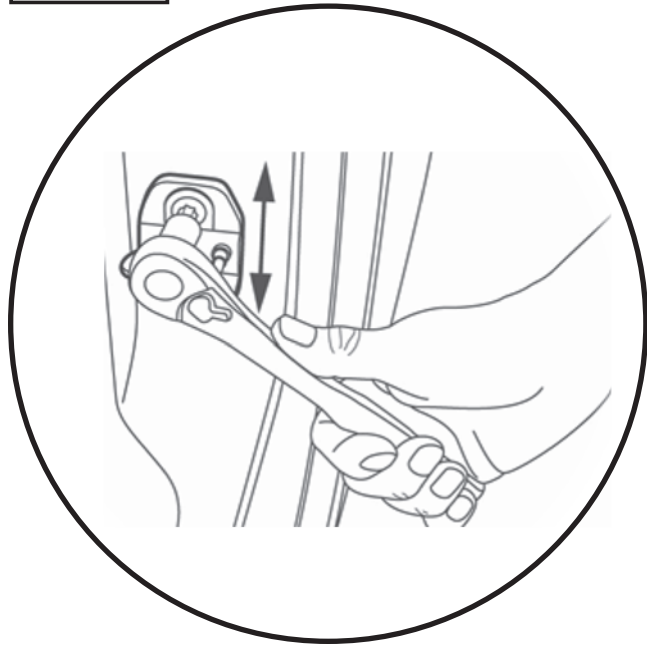


**WARNING**

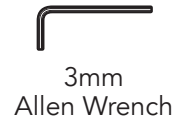
It is important that the Paddle Handle must align correctly with the vehicle manufacturer's original equipment steel latch pin located on the vehicle. Failure to properly install the Paddle Handle may result in the door accidentally opening.

**IMPROPER CLOSURE COULD RESULT IN SERIOUS INJURY OR DEATH TO THE OCCUPANTS. WEAR SEAT BELTS AT ALL TIMES. DRIVE CAREFULLY.**

**Step 1**



**Tools**

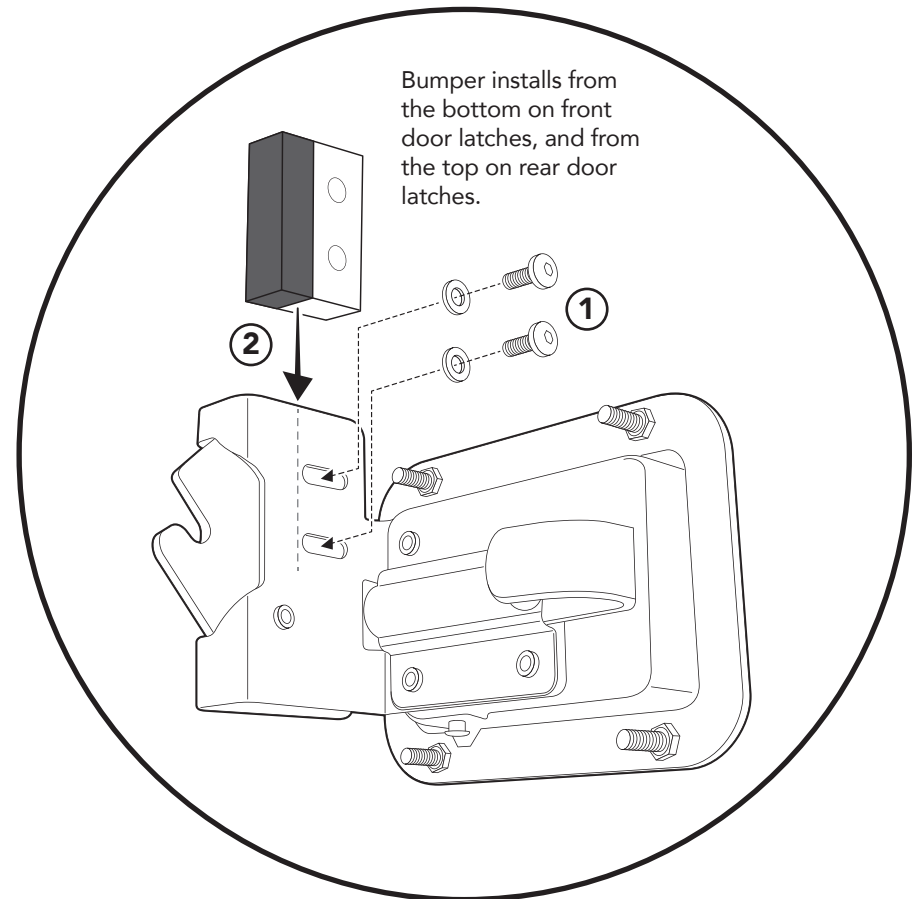


**Step 2**

459.24

459.25

565.91



**Step 1**

If the Element Door does not match up with the door striker, you may adjust the door striker by loosening it with a T-45 Torx wrench and either lowering or raising the door striker.

Tighten the door striker securely after adjusting.

The door striker will have to be put back into its original position when re-installing OEM doors.

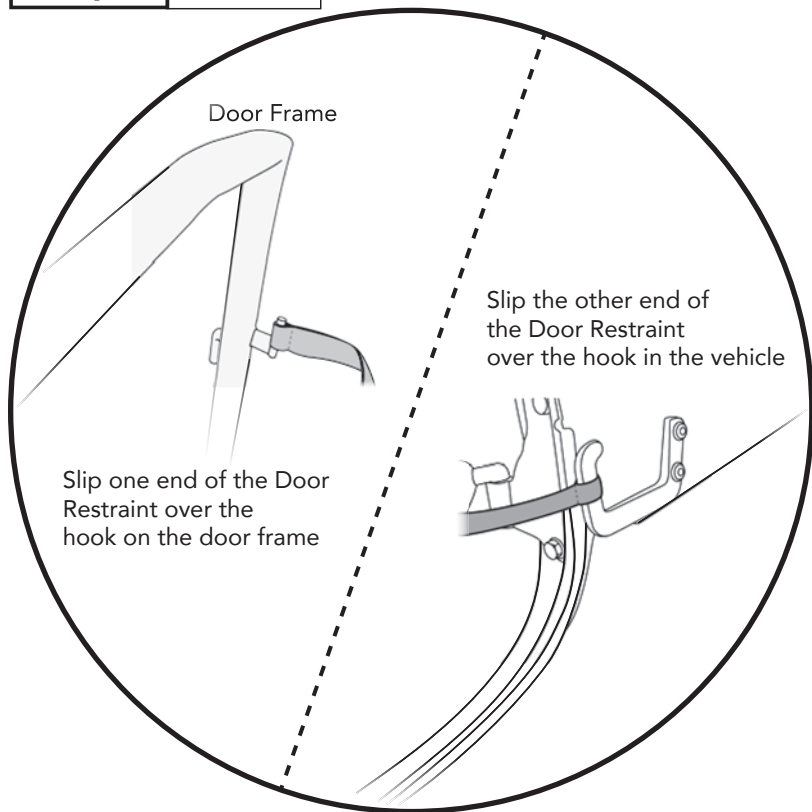
**Step 2**

Slide the Door Latch Bumper from Parts Kit #565.91 into the Rotary Latch Mechanism. The Bumper will slide in from the top of the Latch Mechanism.

Using the 3mm Allen Wrench, secure the bumper with the screws and washers from the Parts Kit #565.91, using two screws and washers on each bumper.

Repeat on both side of the Jeep.

Step 1 428.59



Step 1

Locate the two (2) Door Restraints # 428.59. Slip the loop in one end of a Door Restraint over the hook on the door frame.

Slip the loop in the other end of the Door Restraint over the hook on the vehicle body.

Repeat on both sides of the Jeep.

**For Bestop Warranty Information, Please go to;**  
<https://www.bestop.com/help/warranty-information/>

