



Installation Instructions The SunScreen

Vehicle Application:
Wrangler and Wrangler Unlimited 2018- Current
Gladiator 2020 - Current

Installation Tips

Note: Vehicle must have a Sunrider for Hardtop installed

Before you begin installing The SunScreen, please read all the instructions thoroughly.

WARNING Do not rely in any way on the components of this product to protect against injury or death in the event of an accident. Never operate the vehicle in excess of manufacturer's specifications.

Read and follow, precisely, all installation instructions provided when installing this product. Failure to do so may result in a poor fit and could place occupants of the vehicle in a potentially dangerous situation.

Warning:

Never extend or retract The SunScreen while the vehicle is in motion.



CAUTION Safety glasses should be worn at all times when installing this product.

WEAR SEAT BELTS AT ALL TIMES

Tools



Safety Glasses

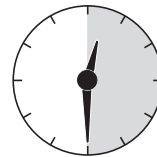


7mm Wrench



4mm Hex Key

Installation Time



30 Minutes

Skill Level



1 - Easy

Support

We're here to help!
Go to www.Bestop.com and click on "Need Help?"



Installation Instructions The SunScreen

Vehicle Application:
Wrangler and Wrangler Unlimited 2018- Current
Gladiator 2020 - Current

Sugerencias de Instalación

Antes de empezar a instalar esta unidad, lea atentamente todas las instrucciones.

Para un buen ajuste:

Para facilitar la instalación, el producto debe instalarse a temperaturas superiores a 72 °F (22 °C).

Por debajo de esta temperatura, la tela puede encogerse una pulgada o más, lo que dificultaría su ajuste al vehículo.

Es normal que la tela se contraiga o arrugue cuando está guardada en la caja de empaque. A los pocos días después de la instalación, la tela se relajará y las arrugas desaparecerán.



ADVERTENCIA

Este producto se diseñó principalmente para mejorar la apariencia del vehículo y proteger a los ocupantes de las condiciones climáticas comunes. De ninguna manera piense que los componentes de este producto pueden servir como medio de contención para los ocupantes del vehículo o que pueden protegerlos contra lesiones o la muerte en caso de accidente. Este producto no protegerá a los ocupantes contra caídas de objetos. Nunca conduzca este vehículo fuera de las especificaciones del fabricante.

USE LOS CINTURONES DE SEGURIDAD EN TODO MOMENTO

Lea y siga con precisión todas las instrucciones de instalación que se proporcionan para instalar este producto. Si no lo hace, podría producirse un mal ajuste que colocaría a los ocupantes del vehículo en una situación potencialmente peligrosa.



PRECAUCIÓN

Debe usar gafas protectoras en todo momento durante la instalación de este producto.

Conseils pour l'installation

Lire toutes les instructions au complet avant de commencer l'installation de cet assemblage.

Pour un ajustement sans problème :

Afin de faciliter l'installation, ce produit doit être installé à des températures au-dessus de 72 °F (22 °C).

Sous cette température, le tissu peut rétrécir d'un pouce (2,5 cm) ou plus, ce qui rendra l'ajustement sur le véhicule difficile.

Il est normal que le tissu rétrécisse et plisse pendant qu'il est dans la boîte d'expédition. En quelques jours après l'installation, le tissu se détendra et les plis disparaîtront.



AVERTISSEMENT

Ce produit est conçu principalement pour améliorer l'apparence du véhicule et pour protéger les occupants des conditions météorologiques usuelles. Ne jamais se fier aux composants de ce produit pour se protéger de blessures ou de la mort en cas d'accident. Ce produit ne protégera pas les occupants des chutes d'objets. Ne jamais utiliser le véhicule au-delà des caractéristiques techniques indiquées par le fabricant.

PORTER UNE CEINTURE DE SÉCURITÉ EN TOUT TEMPS

Lire et suivre, très fidèlement, toutes les instructions d'installation fournies lors de l'installation de ce produit. Ne pas suivre cette consigne peut causer une installation inadéquate et mettre les occupants du véhicule dans une situation potentiellement dangereuse.



MISE EN GARDE

Des lunettes de sécurité doivent être portées en tout temps lors de l'installation de ce produit.

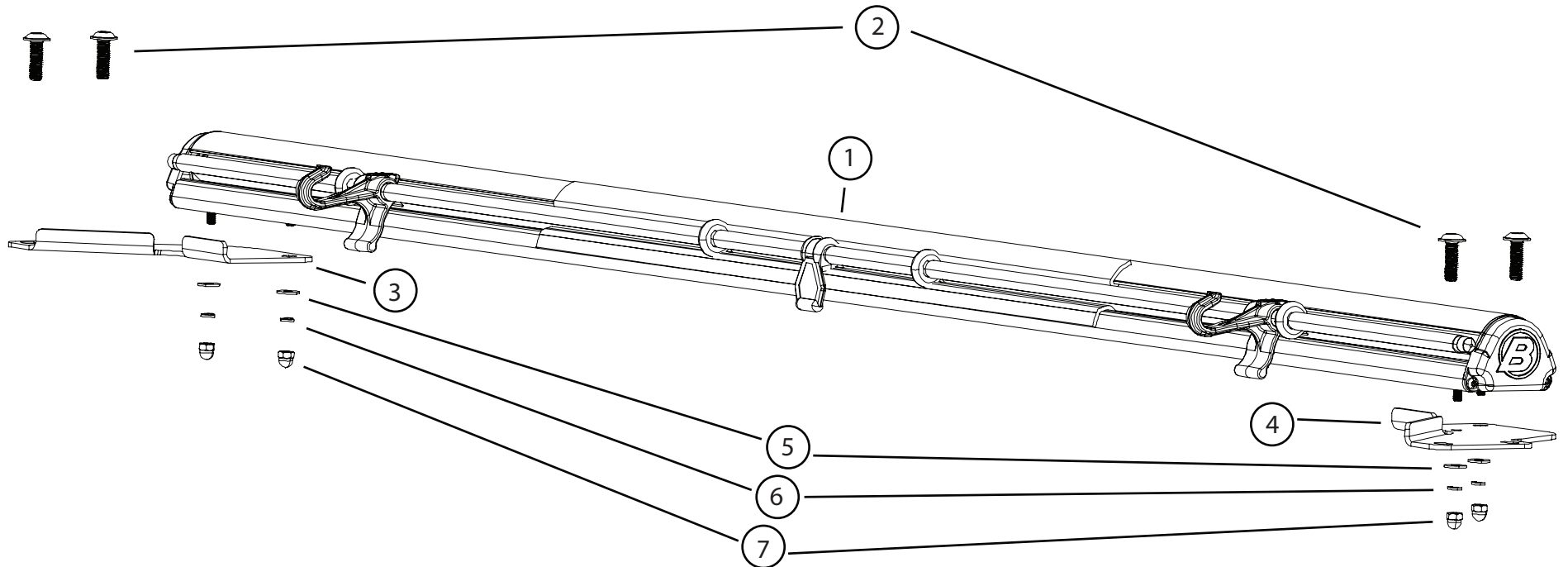
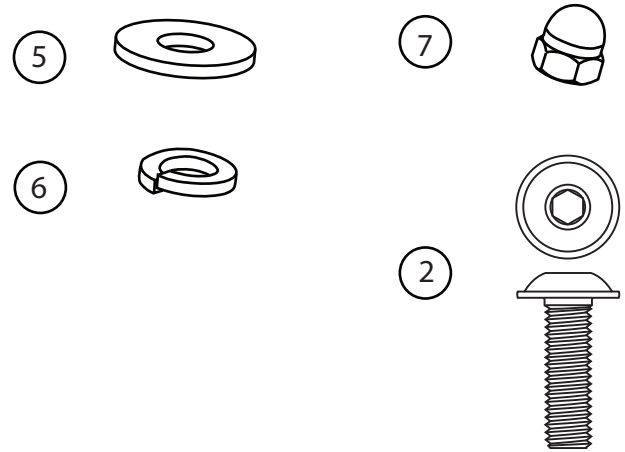


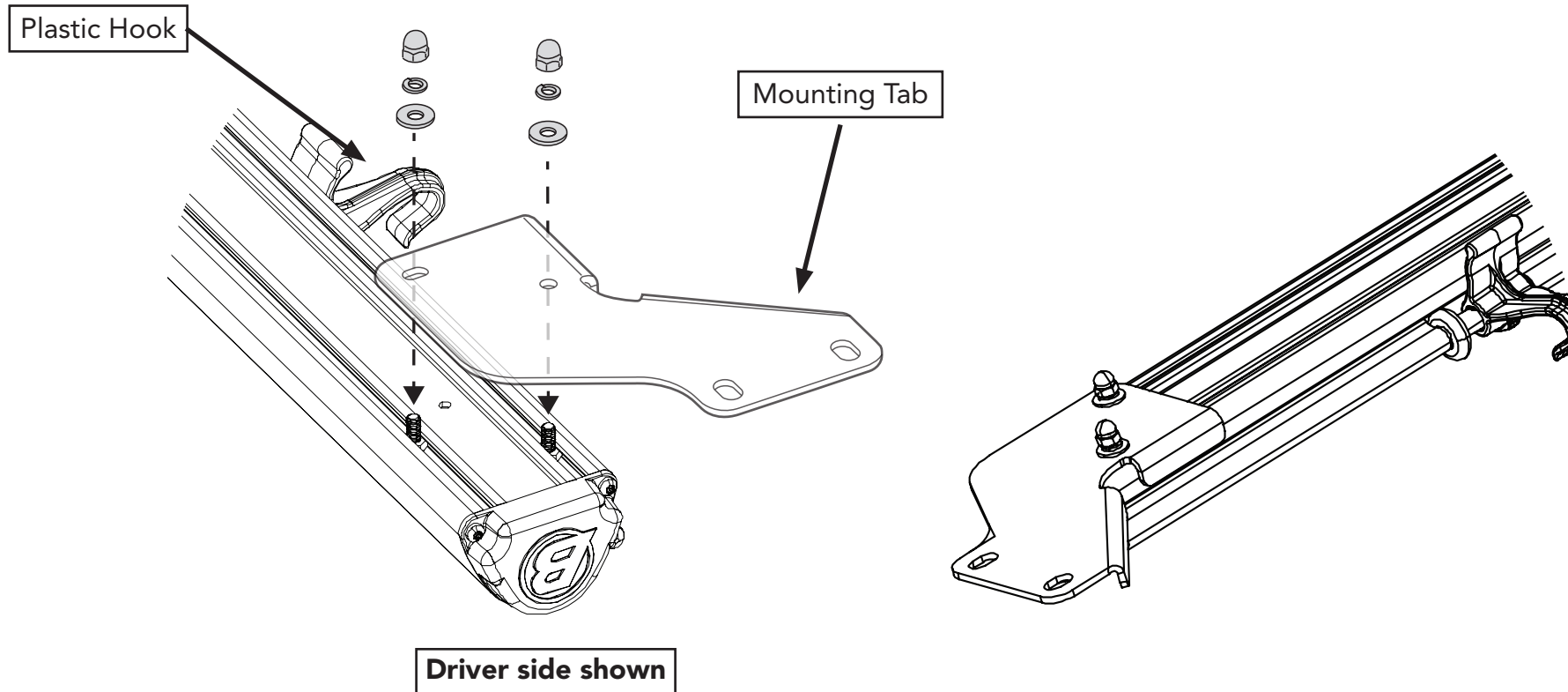
Installation Instructions The SunScreen

Vehicle Application:
Wrangler and Wrangler Unlimited 2018- Current
Gladiator 2020 - Current

Description	Part #	Quantity
-------------	--------	----------

1	The SunScreen Assembly	
2	M6 x 1.0 x 20.0mm BUTTON HEAD	531.27 4
3	BRACKET, SRHT SUN SHADE ATTACH RH	656.56 1
4	BRACKET, SRHT SUN SHADE ATTACH LH	656.57 1
5	WASHER-M4 PLAIN BLK	651.00 4
6	WASHER, M4 SPRING	651.01 4
7	NUT-ACORN M4 X 0.7 BLK	650.98 4





Open the top to the Sunrider position.

Turn The SunScreen upside down.

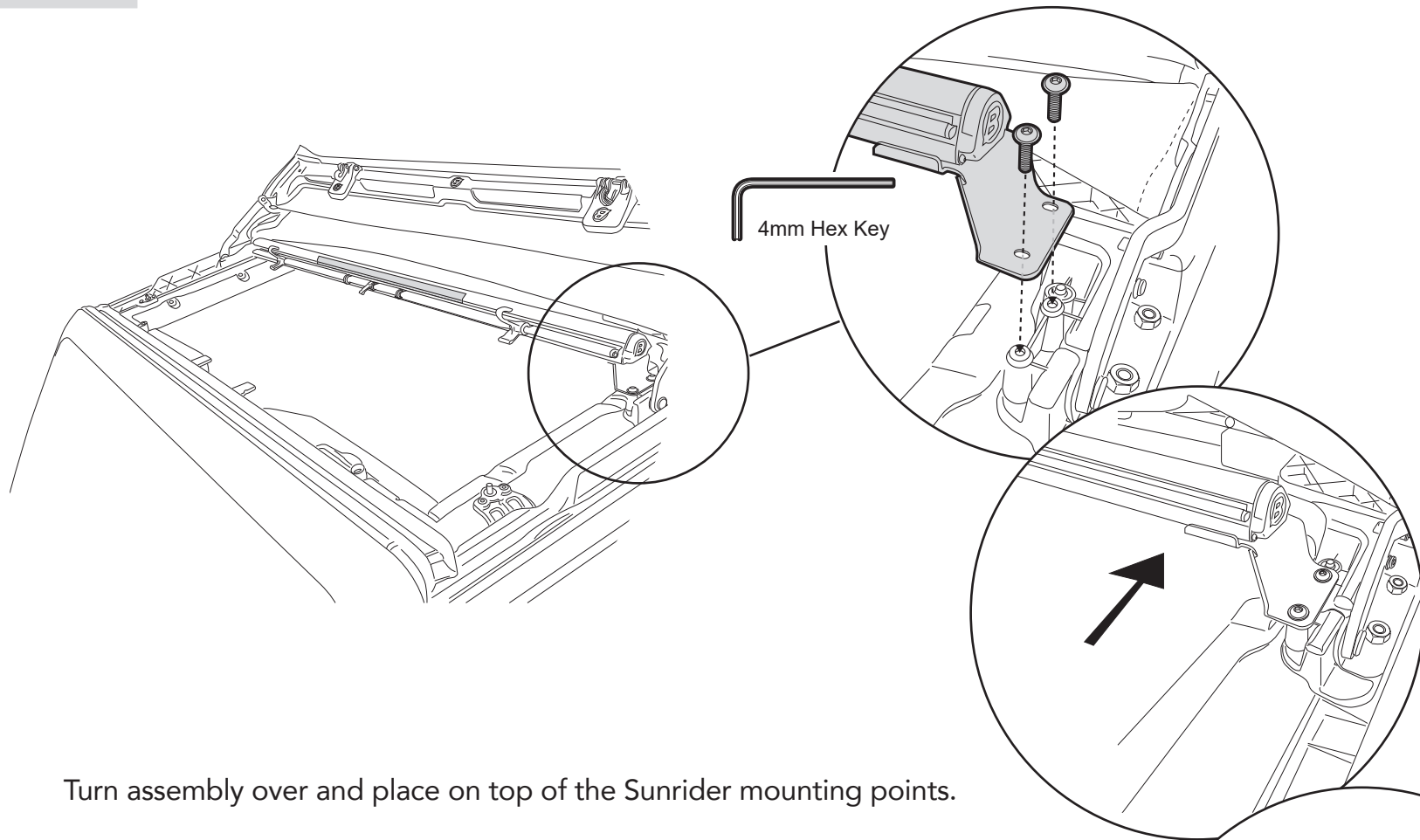
Place the Left Side Attach Bracket on the two studs.

* Make sure the mounting tab goes to the same side as the plastic hooks.

Place the Flat Washers, Split Washers and Acorn Nuts on the studs.

DO NOT tighten at this time.

Repeat this on the right side.

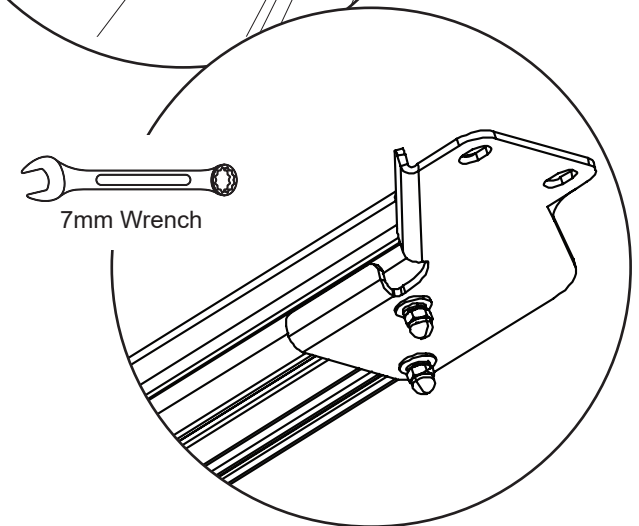


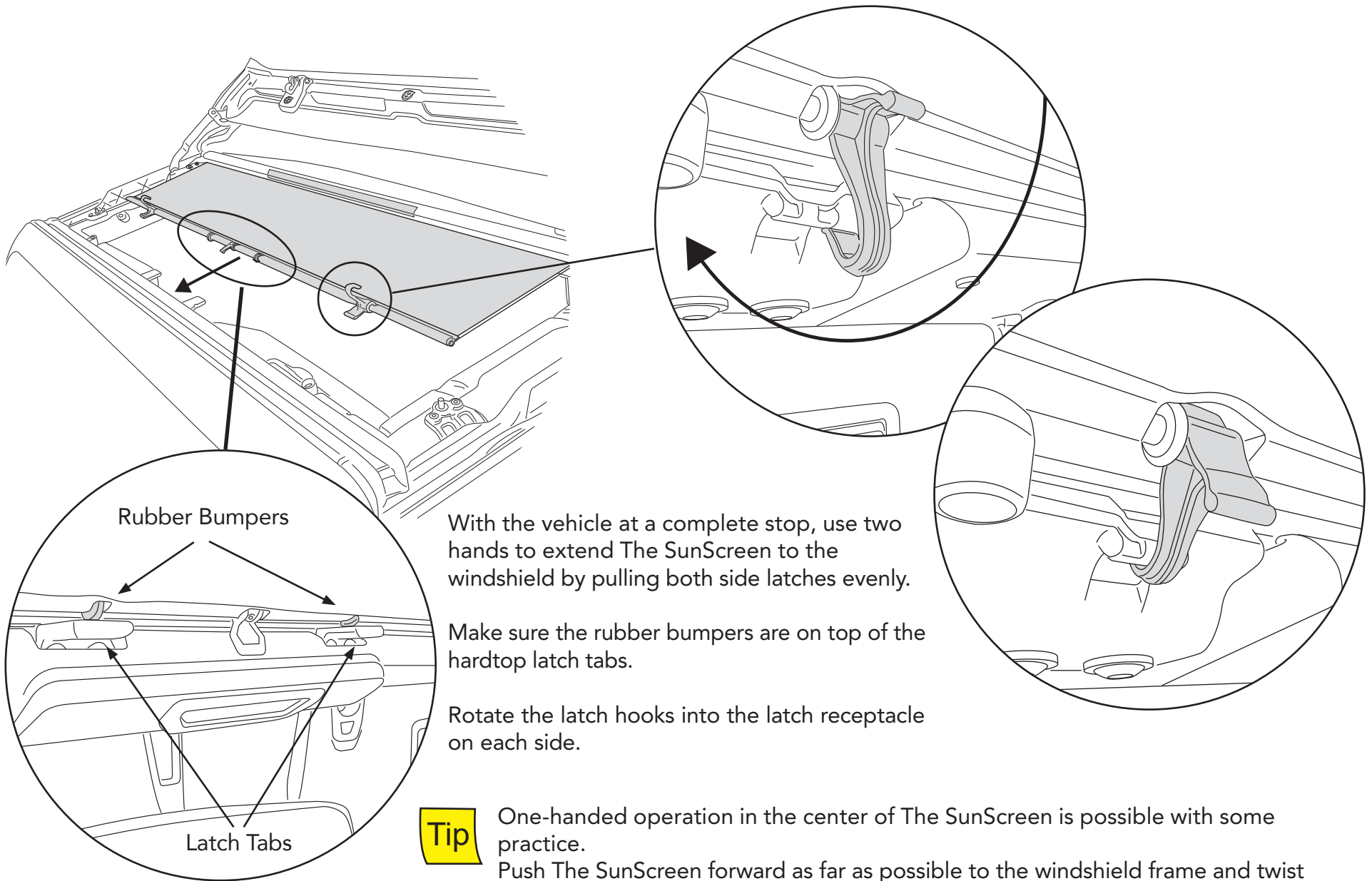
Turn assembly over and place on top of the Sunrider mounting points.

Loosely attach with two M6 x 1 x 20 button head screws per side

Evenly push the assembly rearward towards the hardtop until it stops on both sides.

Tighten all hardware but be careful not to over tighten.





With the vehicle at a complete stop, use two hands to extend The SunScreen to the windshield by pulling both side latches evenly.

Make sure the rubber bumpers are on top of the hardtop latch tabs.

Rotate the latch hooks into the latch receptacle on each side.

Tip One-handed operation in the center of The SunScreen is possible with some practice. Push The SunScreen forward as far as possible to the windshield frame and twist the front bar so that the latches make full purchase on each side.

WARNING: Do not attempt to extend or retract The SunScreen while driving.



Care and Maintenance of your Bestop Product

Your Bestop product is made of the finest materials available. To keep it looking new and for the maximum possible wear, it will need periodic cleaning and maintenance.

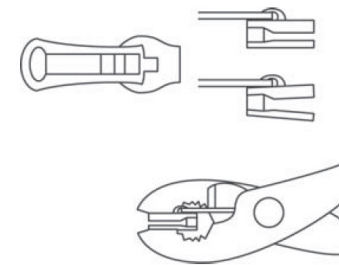
Fabric: The fabric should be washed often using soap, warm water and a soft bristle brush. Rinse with clear water to remove all traces of soap. Bestop recommends using Bestop Cleaner (part no. 11201-00) and Bestop Protectant (part no. 11202-00) for Vinyl fabric and Bestop Twill Protectant (part no. 11207-00) for Twill fabric. Bestop Cleaner and Bestop protectant are specially formulated to provide a total cleaning and protection system. Bestop Cleaner safely removes the toughest stains, will not harm vehicle finishes, is biodegradable and environmentally friendly. Bestop Protectant protects against UV-fading, cracking and hardening, and repels dust, grease, dirt and mildew.

Windows: Keep windows clean to avoid scratching. DO NOT use a brush on the windows! Wash with a water-soaked cloth or sponge and a mild dishwashing detergent. Bestop recommends Bestop Vinyl Window Cleaner (part no. 11203-00), which safely cleans and protects vinyl windows and helps prevent UV damage. NEVER WIPE THE WINDOWS WHEN THEY ARE DRY. Be careful when cleaning snow or frost from the vinyl windows since they are easily scratched and may crack at low temperatures. DO NOT roll the sides or rear window in cold weather. The windows become stiff and will crack. Cracks caused by misuse in cold temperatures are not covered under warranty.

Water: Seeping through at the seams may be stopped by applying 3-M Scotchgard® on the inside of the seams.

Snaps: Keep snaps cleaned and lubricated with silicone to help prevent snaps from sticking to the studs. If a snap does become stuck to a stud, use a screwdriver and GENTLY pry apart to prevent permanent damage to the snap or the top fabric.

Zippers: Keeping zippers cleaned and lubricated with Bestop's Zipper Cleaner (part no. 11206-00) will help prevent damage and keep the zippers in smooth working condition. If a zipper opens behind the slider, the slider may have been spread apart. This problem can usually be repaired by using an ordinary pair of pliers to bring the sides back into parallel. Return slider to the end of the zipper in the normal Open position. Squeeze lightly at first and test the zipper. If the zipper continues to remain open squeeze more firmly with the pliers and try the zipper again. Repeat this procedure until the zipper operates correctly.



Normal Slider-
Jaws Parallel

Damaged Slider-
Jaws spread apart
(Sometimes broken)

For Bestop Warranty Information, Please go to;
<https://www.bestop.com/help/warranty-information/>

