












# Installation Instructions Tailgate Bar Kit

## Vehicle Application:

- Jeep Wrangler TJ  
1997 and newer  
Part Number: 52600

[www.Bestop.com](http://www.Bestop.com) - We're here to help! Visit our web site and click on ["Ask a Question"](#). Click here for more [Jeep Accessories by Bestop](#).

INSTALLATION TIME	SKILL LEVEL
 <b>45 Minutes</b>	    <b>2 - Moderately Easy</b>

TOOLS			
 Phillips Screwdriver #2	 Power Drill 1/8" Bit	 Center Punch	 Hammer
 Safety Glasses			



## CAUTION

Safety glasses should be worn at all times while installing this product.

## Installation Tips

Before you begin installing this assembly, read all instructions thoroughly.

### For a smooth fit:

For ease in installation, the product should be installed at temperatures above 72° F. Below this temperature, the fabric may contract an inch or more, making it difficult to fit to the vehicle. It is normal for fabric to contract and wrinkle when stored in the shipping carton. Within a few days after the installation, the fabric will relax and the wrinkles will disappear.



## WARNING

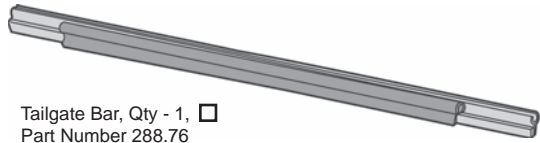
This product is designed primarily to enhance the appearance of the vehicle and to shield the occupants from ordinary weather conditions. Do not rely in any way on the components of this product to contain occupants within the vehicle, or to protect against injury or death in the event of an accident. This product will not protect the occupants from falling objects. Never operate the vehicle in excess of manufacturer's specifications.

## WEAR SEAT BELTS AT ALL TIMES

Read and follow, precisely, all installation instructions provided when installing product. Failure to do so may result in a poor fit and could place occupants of the vehicle in a potentially dangerous situation.

# Tailgate Bar Kit Installation Instructions

## Parts List and Hardware Identification



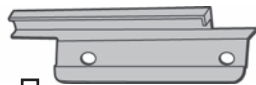
Tailgate Bar, Qty - 1,   
Part Number 288.76



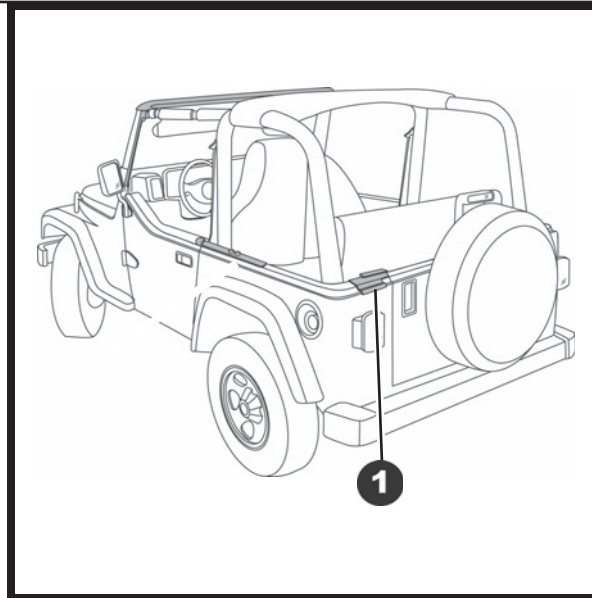
#8 x 1/2" Pan Head Washer Screw - Black, Qty - 4, Part Number 200.48



Tailgate Retainer Mount, Left, Qty - 1, Part Number 311.85



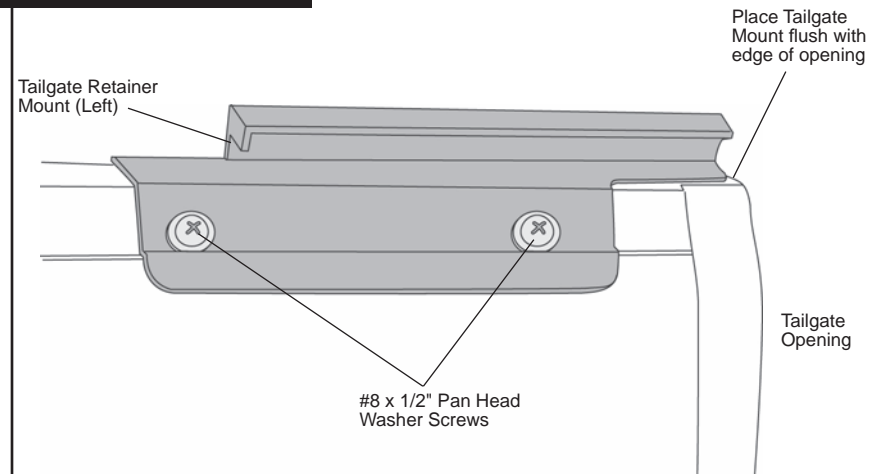
Tailgate Retainer Mount, Right, Qty - 1, Part Number 311.86



## 1 Install Tailgate Retainers

Locate the left and right Tailgate Retainer Mounts. Place the mounts flush with the edge of the tailgate opening. Install the Tailgate Retainer Mounts with two #8 x 1/2" Pan Head Washer Screws for each mount.

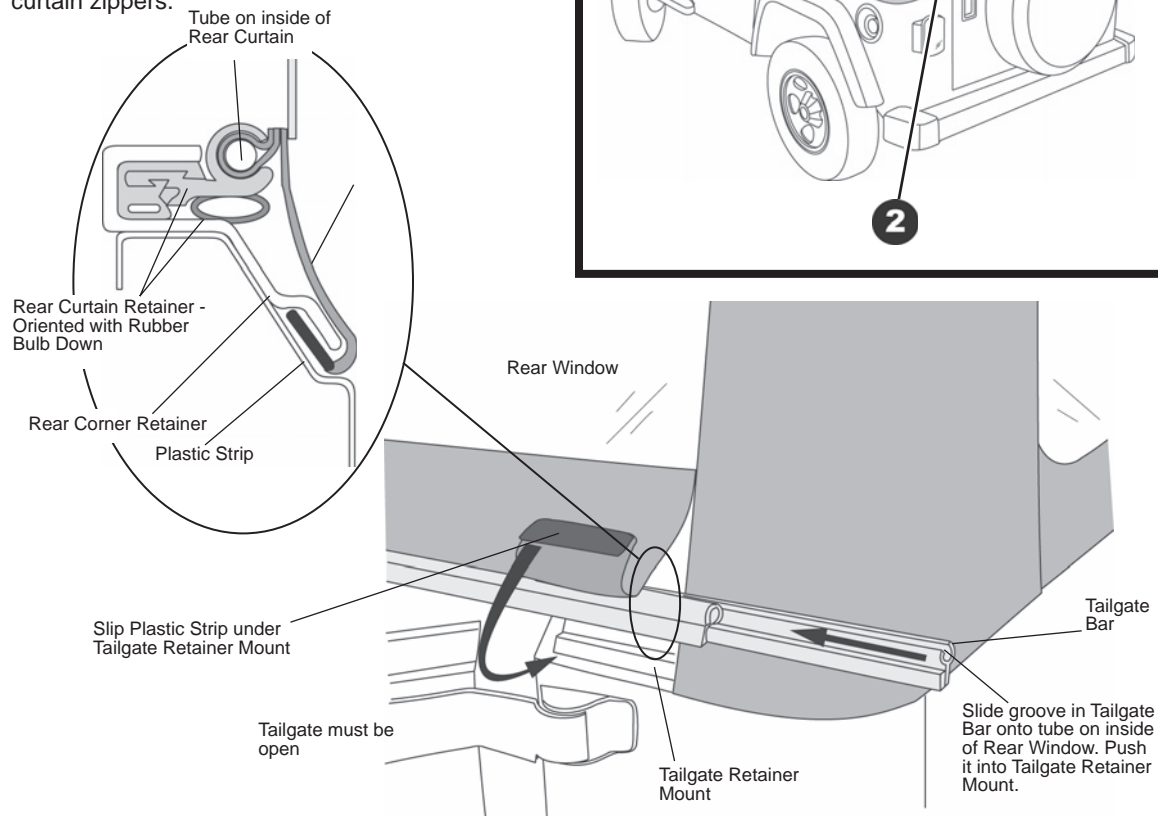
If your vehicle does not have holes at this location, align the Tailgate Retainer Mounts flush with the edge of the tailgate opening. Then mark the locations of the holes in the mounts, center punch and drill a 1/8" hole at the marked locations. Install the mounts with two #8 x 1/2" Pan Head Washer Screws for each mount.



## Tailgate Bar Kit Installation Instructions

### 2 Install Tailgate Bar

Open the tailgate. Orient the Tailgate Bar with the rubber bulb facing down, in order to form a seal with the top of the tailgate. Slide the groove in the Tailgate Bar onto the tube inside the bottom of the Rear Window. Roll the Tailgate Bar into the top of the Tailgate Retainer Mounts. Slip the plastic on the bottom of the Rear Window under the bottom part of the Tailgate Retainer Mounts. Close the rear curtain zippers.



## Tailgate Bar Kit Installation Instructions

---

**For Bestop Warranty Information, Please go to;**  
<https://www.bestop.com/help/warranty-information/>

