



# Installation Instructions Header Style Safari Style Bikini

Vehicle Application:  
Jeep® JT Gladiator 2019-2023  
Part Number 52614 (Requires 51244)

## Installation Tips

Before you begin installing your new Safari Style Bikini Top, please read all the instructions thoroughly.





**WARNING** Do not rely in any way on the components of this product to protect against injury or death in the event of an accident. Never operate the vehicle in excess of manufacturer's specifications.


Read and follow, precisely, all installation instructions provided when installing this product. Failure to do so may result in a poor fit and could place occupants of the vehicle in a potentially dangerous situation.

## WEAR SEAT BELTS AT ALL TIMES

**CAUTION** Safety glasses should be worn at all times when installing this product.



Tools		
 Safety Glasses	 T25 - T40 - T50 Torx Drivers	 Phillips Screwdriver
	 13mm Wrench	

Installation Time
 30 minutes
Skill Level
<div style="display: flex; justify-content: space-around; align-items: center;"> <div style="border: 1px solid black; border-radius: 50%; width: 30px; height: 30px; display: flex; align-items: center; justify-content: center;">1</div> <div style="border: 1px solid black; border-radius: 50%; width: 30px; height: 30px; display: flex; align-items: center; justify-content: center;">2</div> <div style="border: 1px solid black; border-radius: 50%; width: 30px; height: 30px; display: flex; align-items: center; justify-content: center;">3</div> <div style="border: 1px solid black; border-radius: 50%; width: 30px; height: 30px; display: flex; align-items: center; justify-content: center;">4</div> </div> <p>1 - Easy</p>

Support
We're here to help! Go to: <a href="https://www.bestop.com">https://www.bestop.com</a> and click on <b>Need Help?</b>

<a href="https://www.bestop.com/video-library">https://www.bestop.com/video-library</a>



## Installation Instructions Header Style Safari Style Bikini

Vehicle Application:  
Jeep® JT Gladiator 2019-2023  
Part Number 52614 (Requires 51244)

### Sugerencias de Instalación

**Antes de empezar a instalar esta unidad, lea atentamente todas las instrucciones.**

**Para un buen ajuste:**

Para facilitar la instalación, el producto debe instalarse a temperaturas superiores a 72 °F (22 °C).

Por debajo de esta temperatura, la tela puede encogerse una pulgada o más, lo que dificultaría su ajuste al vehículo.

Es normal que la tela se contraiga o arrugue cuando está guardada en la caja de empaque. A los pocos días después de la instalación, la tela se relajará y las arrugas desaparecerán.



#### ADVERTENCIA

Este producto se diseñó principalmente para mejorar la apariencia del vehículo y proteger a los ocupantes de las condiciones climáticas comunes. De ninguna manera piense que los componentes de este producto pueden servir como medio de contención para los ocupantes del vehículo o que pueden protegerlos contra lesiones o la muerte en caso de accidente. Este producto no protegerá a los ocupantes contra caídas de objetos. Nunca conduzca este vehículo fuera de las especificaciones del fabricante.

#### USE LOS CINTURONES DE SEGURIDAD EN TODO MOMENTO

Lea y siga con precisión todas las instrucciones de instalación que se proporcionan para instalar este producto. Si no lo hace, podría producirse un mal ajuste que colocaría a los ocupantes del vehículo en una situación potencialmente peligrosa.



#### PRECAUCIÓN

Debe usar gafas protectoras en todo momento durante la instalación de este producto.

### Conseils pour l'installation

**Lire toutes les instructions au complet avant de commencer l'installation de cet assemblage.**

**Pour un ajustement sans problème :**

Afin de faciliter l'installation, ce produit doit être installé à des températures au-dessus de 72 °F (22 °C).

Sous cette température, le tissu peut rétrécir d'un pouce (2,5 cm) ou plus, ce qui rendra l'ajustement sur le véhicule difficile.

Il est normal que le tissu rétrécisse et plisse pendant qu'il est dans la boîte d'expédition. En quelques jours après l'installation, le tissu se détendra et les plis disparaîtront.



#### AVERTISSEMENT

Ce produit est conçu principalement pour améliorer l'apparence du véhicule et pour protéger les occupants des conditions météorologiques usuelles. Ne jamais se fier aux composants de ce produit pour se protéger de blessures ou de la mort en cas d'accident. Ce produit ne protégera pas les occupants des chutes d'objets. Ne jamais utiliser le véhicule au-delà des caractéristiques techniques indiquées par le fabricant.

#### PORTER UNE CEINTURE DE SÉCURITÉ EN TOUT TEMPS

Lire et suivre, très fidèlement, toutes les instructions d'installation fournies lors de l'installation de ce produit. Ne pas suivre cette consigne peut causer une installation inadéquate et mettre les occupants du véhicule dans une situation potentiellement dangereuse.



#### MISE EN GARDE


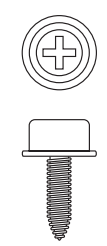

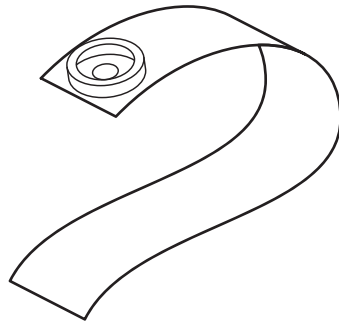
Des lunettes de sécurité doivent être portées en tout temps lors de l'installation de ce produit.



# Installation Instructions Header Style Safari Bikini Top

Vehicle Application:  
Jeep® JT Gladiator 2019-2023  
Part Number 52614 (Requires 51244)

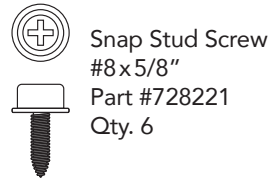
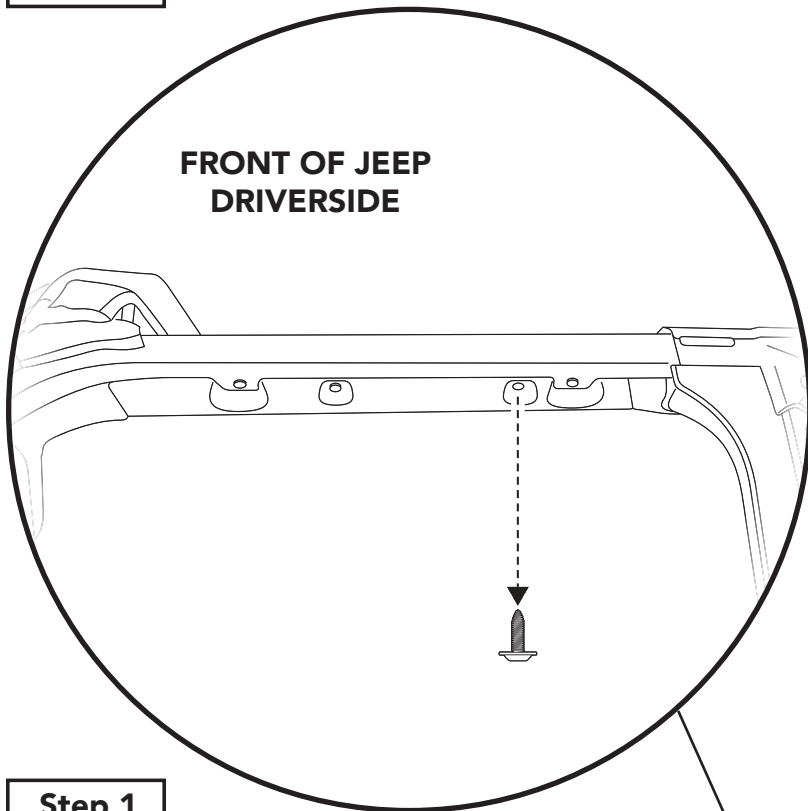
## Parts List

 <p>Safari Style Bikini Top Qty. 1</p>	 <p>Snap Stud Screw #8x5/8" Part #728221 Qty. 8</p>	 <p>Tail Clip Part #338.24 Qty. 8</p>	 <p>Snap Straps 2 Long Part # 600.64 6 Short Part # 592.31</p>
---	---	--	---

**Step 1**

**Hardware**

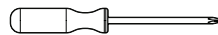
**Step 2**



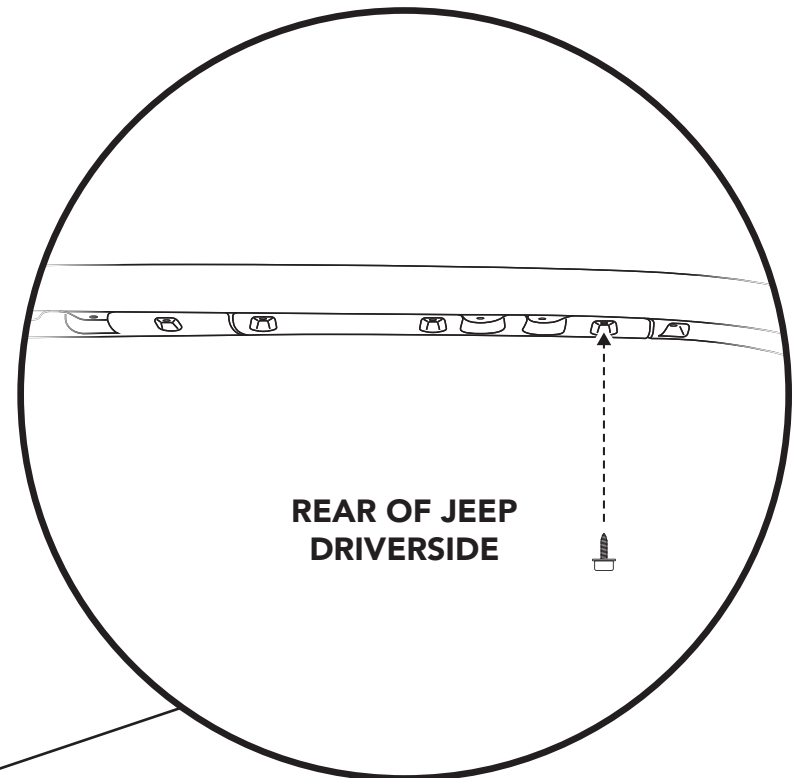
**Tools**



T25 - Torx Driver



Phillips Screwdriver



**Step 1**

Remove the Torx screw from the underside of the front sport bar in the location shown.

(Driver) side shown. Remove this screw on both sides of the Jeep.

Replace the screws you removed with Snap Stud Screws #728221 in both locations.



**Step 2**

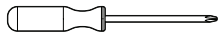
Remove two Torx screws from the underside of the rear sport bar in the locations shown.

Left (driver) side shown. Remove these two screws on both sides of the Jeep.

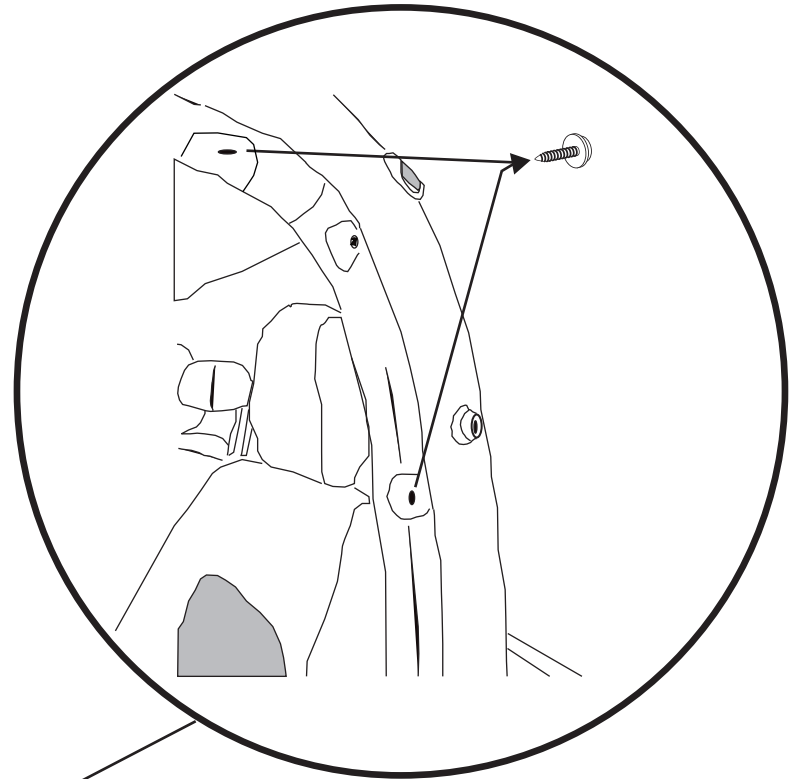
Replace the screws you removed with Snap Stud Screws #728221 in all four locations.

**Step 1****Hardware****Tools**

T25 - Torx Driver



Phillips Screwdriver

Snap Stud Screw  
#8x5/8"  
Part #728221  
Qty. 2**Step 1**

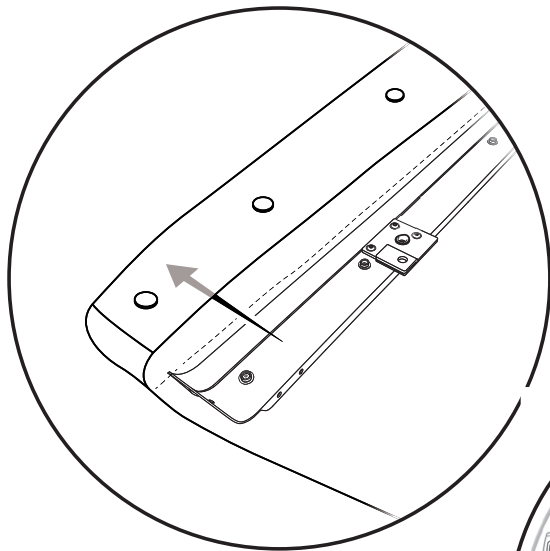
Remove the Torx screw from the interior side of the rear sport bar downtube in the location shown.

Left (driver) side shown. Remove this screw from the downtube on both sides of the Jeep.

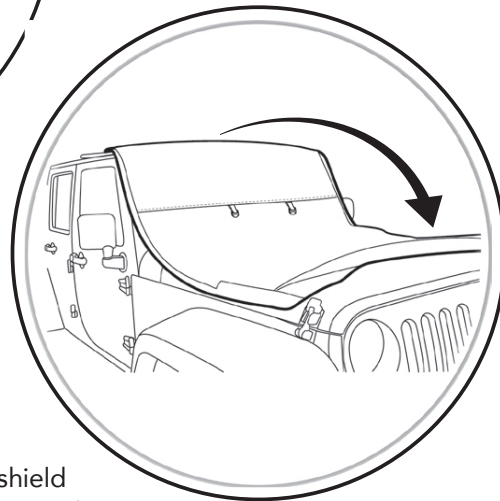
Replace the screws you removed with Snap Stud Screws #728221 in both locations.



**Step 1**



Windshield Header Channel #51244 Sold Separately



**Step 1**

Slip your bikini top over the #51244 Windshield Header Channel (Sold Separately) and snap in place with 8 snaps.

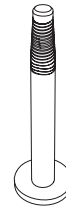
Lay the Header Channel with Bikini on the Jeep windshield, drape the Bikini facing up on the Jeep hood. This will give you clear access to the header screw attachment areas.

**Tools**

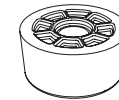


T40 Torx Drivers

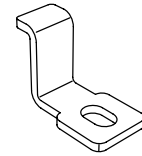
**Hardware**



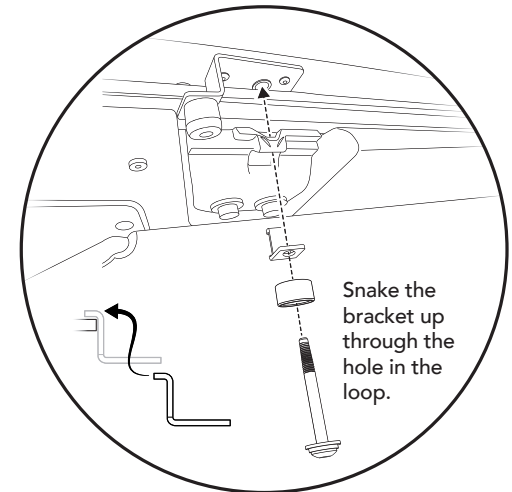
M8 x 1.25 X 80mm Button Head Socket Cap Screw/Washer Part #532.23 Qty. 2



Bolt Spacer Bezel Part #574.05 Qty. 2



Latch Receiver Z-Bracket Part #596.45 Qty. 2



Snake the bracket up through the hole in the loop.

**Step 2**

Secure the Bikini Windshield Header Channel #423.45 to the Jeep windshield header, using one (1) Latch Receiver Bracket #596.45, one (1) M8x1.25x80mm Button Head Socket Cap Screw/Washer #532.23, and one Bolt Spacer Bezel #574.05 per side.

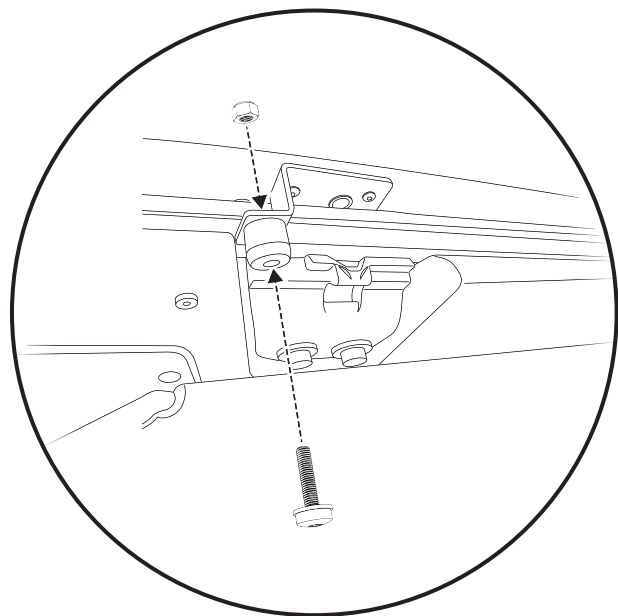
The Latch Receiver Bracket and the M8x1.25x80mm long Screw/Washer with additional M8 washer and Spacer Bezel are attached from the underside to secure the Latch Receiver Bracket to the windshield header.

The Latch Receiver Bracket must be snaked up through the hole in the windshield header latch loop, so that the lip at the top of the bracket catches the horizontal edge on the header.

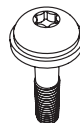
**DO NOT OVER TIGHTEN.**

**Step 1**

**Hardware**



M8x1.25 Nylon Lock Nut  
Part #434.12  
Qty. 2



M8x1.25x38  
Button Head  
Socket Cap  
Screw/Washer  
Part #532.17  
Qty. 2

**Tools**



T50  
Torx Drivers



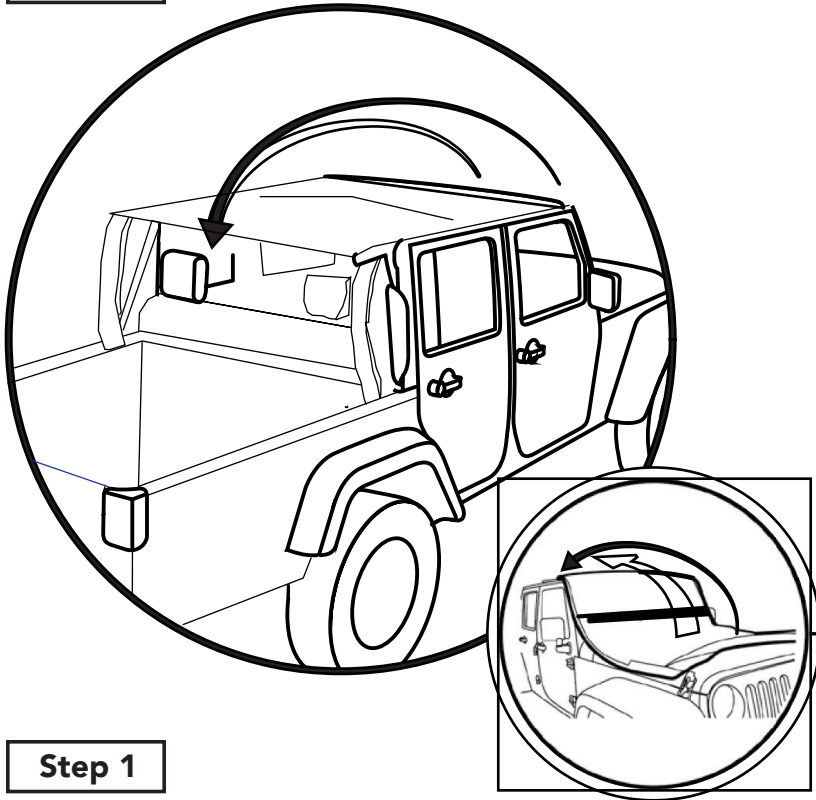
13mm Wrench

**Step 1**

Attach the M8x1.25x38 Button Head Socket Cap Screws #532.17 from the underside, and secure the pre-attached brackets on the Header Channel to the windshield header, using one (1) M8 Nylon Lock Nut #434.12 on top of each pre-attached bracket. Tighten after all screws are in.



**Step 1**

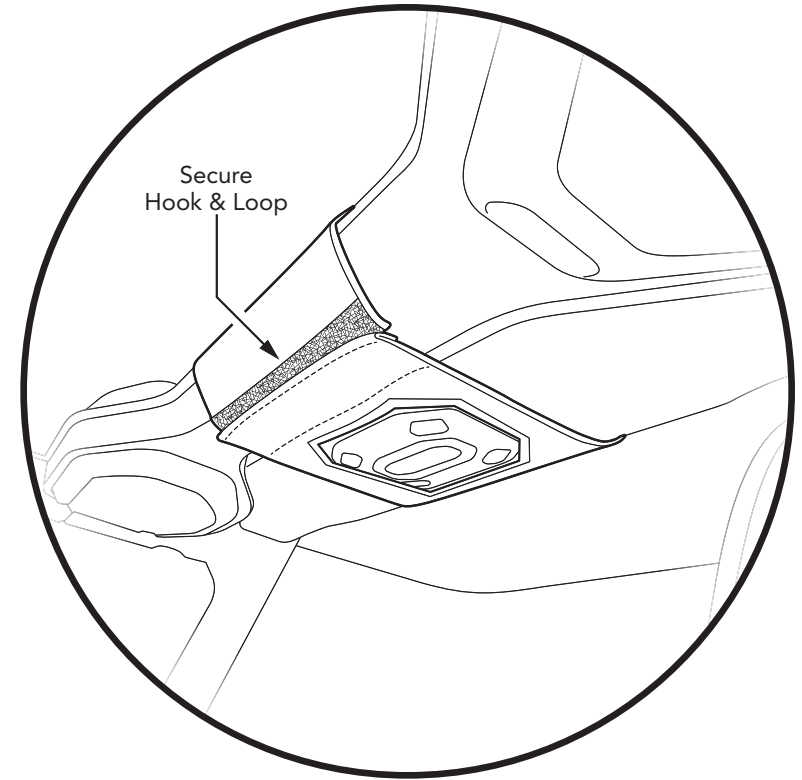


**Step 1**

Drape the Top Fabric back across the top of the Jeep sport bars.



**Step 2**



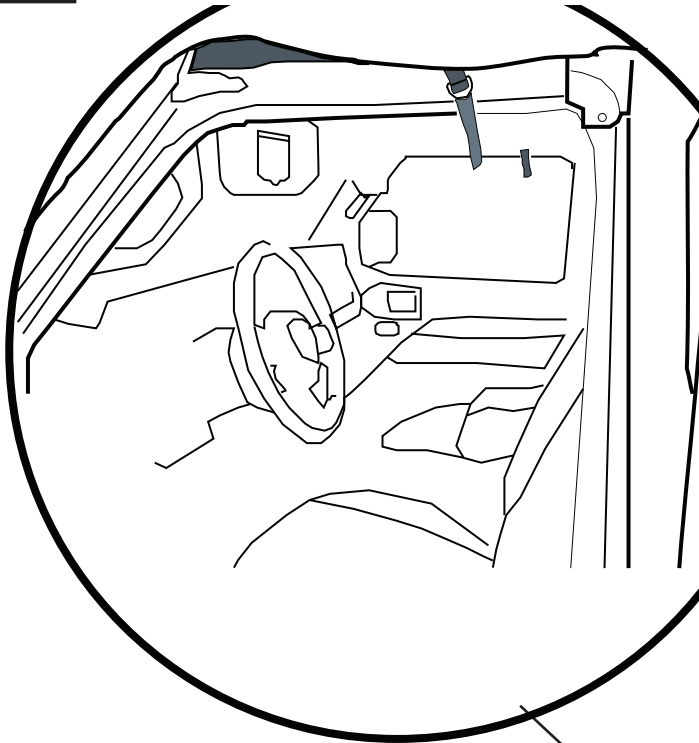
**Step 2**

Wrap the Soundbar Flap around the soundbar, and secure using the Hook & Loop strip.

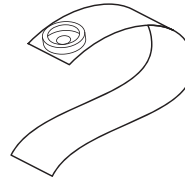
Make sure that all lights on the underside of the soundbar are exposed.



## Step 1



## Hardware



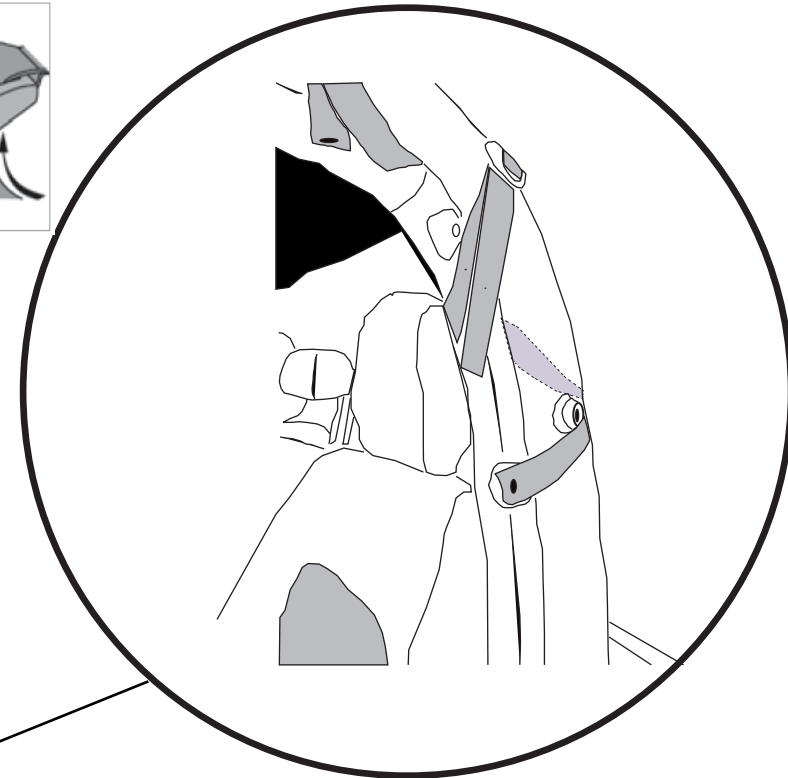
Snap Straps  
2 Long Part # 600.64  
6 Short Part # 592.31



Tail Clip  
Part #338.24  
Qty. 8



## Step 2



## Step 1

Attach the eight (8) straps to the buckles in the manner shown.

Long Straps go at the back corners of the top.

When straps are hanging down, the socket side of the snaps should be on the inside.

Wrap side straps over the outside of the Sport Bar, and snap to Snap Studs - installed in Sections 1 and 2 - on the underside of the Sport bar on both sides of the Jeep.



## Step 2

Wrap the rear (long) straps around each sport bar downtube as shown.

The strap will first go to the exterior side of the Jeep, then wrap underneath the downtube, and snap to the snap stud installed in Section 2, Step 1.

Now snug all of the straps, starting with the front two, then the rear two, then the four in the middle of the Jeep.



## Care and Maintenance of your Bestop Product

Your Bestop product is made of the finest materials available. To keep it looking new and for the maximum possible wear, it will need periodic cleaning and maintenance.

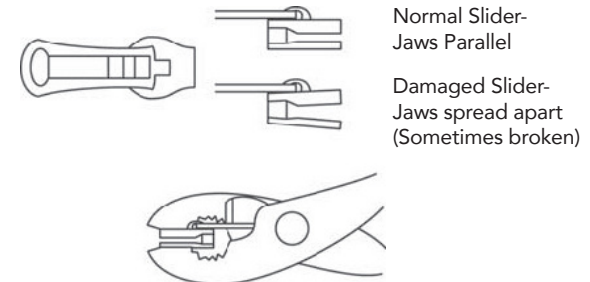
**Fabric:** The fabric should be washed often using soap, warm water and a soft bristle brush. Rinse with clear water to remove all traces of soap. Bestop recommends using Bestop Cleaner (part no. 11201-00) and Bestop Protectant (part no. 11202-00) for Vinyl fabric and Bestop Twill Protectant (part no. 11207-00) for Twill fabric. Bestop Cleaner and Bestop protectant are specially formulated to provide a total cleaning and protection system. Bestop Cleaner safely removes the toughest stains, will not harm vehicle finishes, is biodegradable and environmentally friendly. Bestop Protectant protects against UV-fading, cracking and hardening, and repels dust, grease, dirt and mildew.

**Windows:** Keep windows clean to avoid scratching. DO NOT use a brush on the windows! Wash with a water-soaked cloth or sponge and a mild dishwashing detergent. Bestop recommends Bestop Vinyl Window Cleaner (part no. 11203-00), which safely cleans and protects vinyl windows and helps prevent UV damage. NEVER WIPE THE WINDOWS WHEN THEY ARE DRY. Be careful when cleaning snow or frost from the vinyl windows since they are easily scratched and may crack at low temperatures. DO NOT roll the sides or rear window in cold weather. The windows become stiff and will crack. Cracks caused by misuse in cold temperatures are not covered under warranty.

**Water:** Seeping through at the seams may be stopped by applying 3-M Scotchgard® on the inside of the seams.

**Snaps:** Keep snaps cleaned and lubricated with silicone to help prevent snaps from sticking to the studs. If a snap does become stuck to a stud, use a screwdriver and GENTLY pry apart to prevent permanent damage to the snap or the top fabric.

**Zippers:** Keeping zippers cleaned and lubricated with Bestop's Zipper Cleaner (part no. 11206-00) will help prevent damage and keep the zippers in smooth working condition. If a zipper opens behind the slider, the slider may have been spread apart. This problem can usually be repaired by using an ordinary pair of pliers to bring the sides back into parallel. Return slider to the end of the zipper in the normal Open position. Squeeze lightly at first and test the zipper. If the zipper continues to remain open squeeze more firmly with the pliers and try the zipper again. Repeat this procedure until the zipper operates correctly.



**For Bestop Warranty Information, Please go to;**  
<https://www.bestop.com/help/warranty-information/>

