



# Installation Instructions Fabric Replacement Top for Trektop NX

**Vehicle Application:**  
**Jeep Wrangler JK 4 Door**  
2010 – Current  
Part Number: 52823

## Installation Tips

Before you begin installing your new Trektop NX, please read all the instructions thoroughly.

### For a smooth fit:



For easier installation, the top should be installed at a temperature above 72° F. Below this temperature, the fabric may contract an inch or more, making it difficult to fit the vehicle.

It is normal for the fabric to contract and wrinkle when stored in the shipping carton. Within a few days after installation, the fabric will relax and the wrinkles will disappear.



Safety glasses should be worn at all times when installing this product.



Tools			Installation Time	Support
 Phillips Screwdriver	 Utility Knife	 Safety Glasses	 1/2 Hour	<p>We're here to help! Go to <a href="http://www.Bestop.com">www.Bestop.com</a> and click "Contact Us"</p>  <p>See a video showing installation of this top at <a href="http://www.bestop.com/video">www.bestop.com/video</a></p>
			Skill Level	
			 <b>2 - Moderately Easy</b>	



**WARNING** This product is designed primarily to enhance the appearance of the vehicle and to shield the occupants from ordinary weather conditions. Do not rely in any way on the components of this product to contain the occupants within the vehicle, or to protect against injury or death in the event of an accident, This product will not protect the occupants from falling objects. Never operate the vehicle in excess of manufacturer's specifications.

### WEAR SEAT BELTS AT ALL TIMES

Read and follow, precisely, all installation instructions provided when installing this product. Failure to do so may result in a poor fit and could place occupants of the vehicle in a potentially dangerous situation.



## Sugerencias de Instalación

**Antes de empezar a instalar esta unidad, lea atentamente todas las instrucciones.**

**Para un buen ajuste:**

Para facilitar la instalación, el producto debe instalarse a temperaturas superiores a 72 °F (22 °C).

Por debajo de esta temperatura, la tela puede encogerse una pulgada o más, lo que dificultaría su ajuste al vehículo.

Es normal que la tela se contraiga o arrugue cuando está guardada en la caja de empaque. A los pocos días después de la instalación, la tela se relajará y las arrugas desaparecerán.



### ADVERTENCIA

Este producto se diseñó principalmente para mejorar la apariencia del vehículo y proteger a los ocupantes de las condiciones climáticas comunes. De ninguna manera piense que los componentes de este producto pueden servir como medio de contención para los ocupantes del vehículo o que pueden protegerlos contra lesiones o la muerte en caso de accidente. Este producto no protegerá a los ocupantes contra caídas de objetos. Nunca conduzca este vehículo fuera de las especificaciones del fabricante.

### USE LOS CINTURONES DE SEGURIDAD EN TODO MOMENTO

Lea y siga con precisión todas las instrucciones de instalación que se proporcionan para instalar este producto. Si no lo hace, podría producirse un mal ajuste que colocaría a los ocupantes del vehículo en una situación potencialmente peligrosa.



### PRECAUCIÓN

Debe usar gafas protectoras en todo momento durante la instalación de este producto.

## Conseils pour l'installation

**Lire toutes les instructions au complet avant de commencer l'installation de cet assemblage.**

**Pour un ajustement sans problème :**

Afin de faciliter l'installation, ce produit doit être installé à des températures au-dessus de 72 °F (22 °C).

Sous cette température, le tissu peut rétrécir d'un pouce (2,5 cm) ou plus, ce qui rendra l'ajustement sur le véhicule difficile.

Il est normal que le tissu rétrécisse et plisse pendant qu'il est dans la boîte d'expédition. En quelques jours après l'installation, le tissu se détendra et les plis disparaîtront.



### AVERTISSEMENT

Ce produit est conçu principalement pour améliorer l'apparence du véhicule et pour protéger les occupants des conditions météorologiques usuelles. Ne jamais se fier aux composants de ce produit pour se protéger de blessures ou de la mort en cas d'accident. Ce produit ne protégera pas les occupants des chutes d'objets. Ne jamais utiliser le véhicule au-delà des caractéristiques techniques indiquées par le fabricant.

### PORTER UNE CEINTURE DE SÉCURITÉ EN TOUT TEMPS

Lire et suivre, très fidèlement, toutes les instructions d'installation fournies lors de l'installation de ce produit. Ne pas suivre cette consigne peut causer une installation inadéquate et mettre les occupants du véhicule dans une situation potentiellement dangereuse.



### MISE EN GARDE

Des lunettes de sécurité doivent être portées en tout temps lors de l'installation de ce produit.

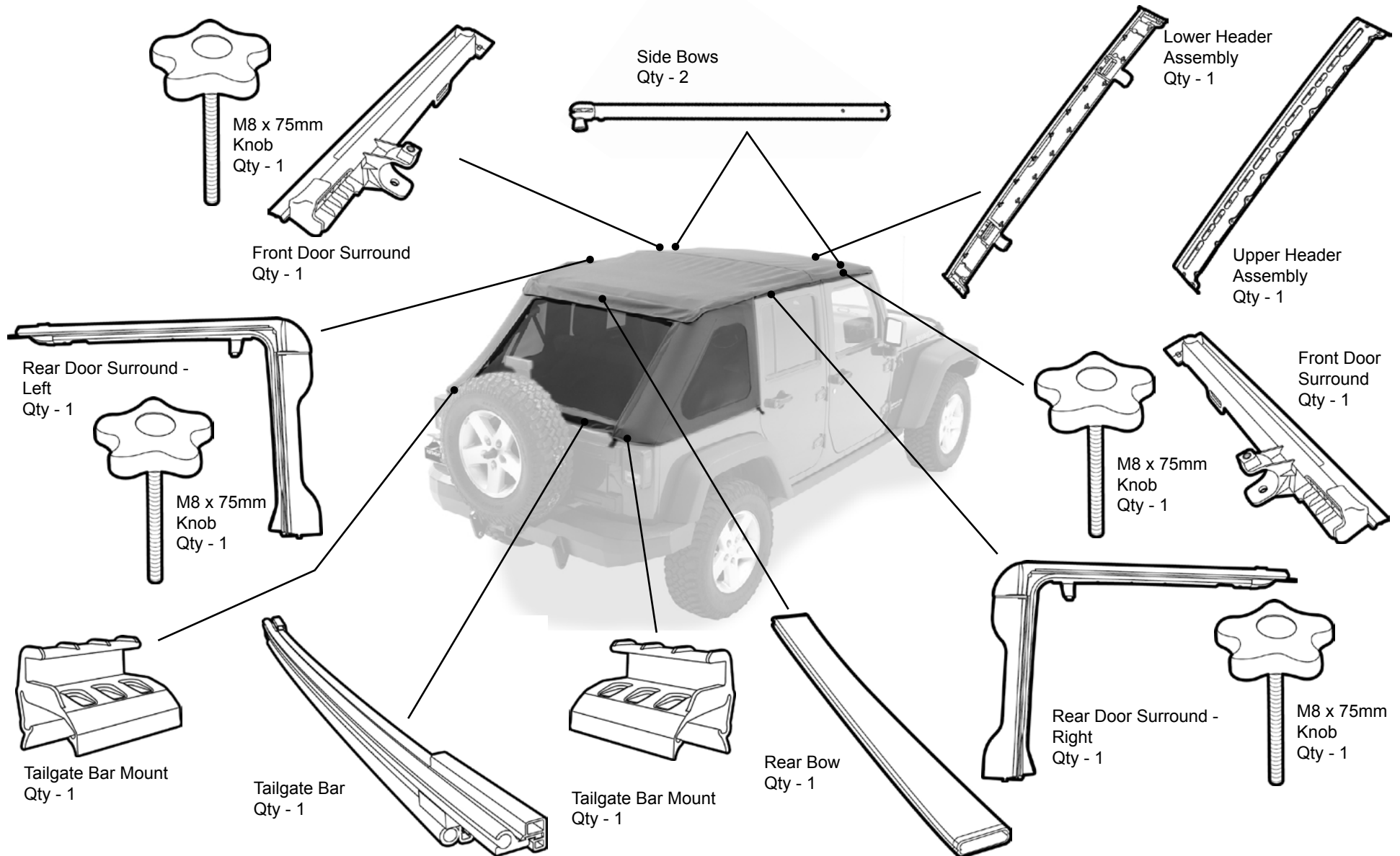


**Installation Instructions**  
**Fabric Replacement Top for Trektop NX**

**Vehicle Application:**  
**Jeep Wrangler JK 4 Door**  
 2010 – Current  
 Part Number: 52823



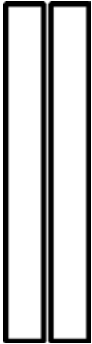
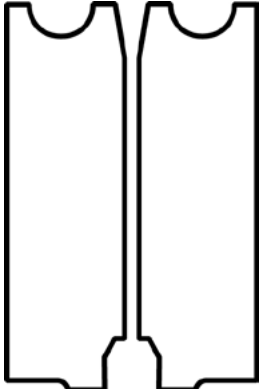
**!STOP! Do not proceed unless you have a Trektop NX already installed.**  
**You will need these parts to complete the installation**

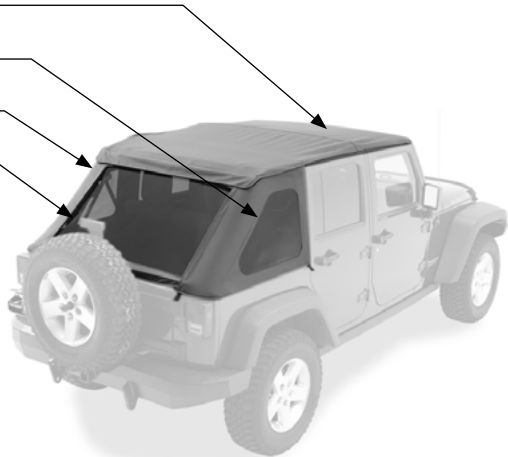




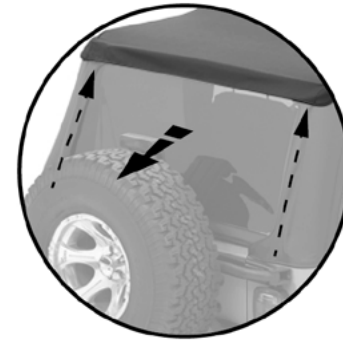
## Parts List

- Required parts for each installation section - Page number in Installation Guide

Section 6 Foam Strips		Page 12 of Guide
 <p>Foam Tape Strips Qty - 2 Part # 417.43</p>	 <p>Foam Seals Qty - 1 per side Part # 457.76 (R) &amp; 457.77 (L)</p>	

Section 4 – 17 Fabric Top and Windows		Pages 9 – 24 of Guide
<p>Fabric Top</p> <p>Right Side Window</p> <p>Left Side Window</p> <p>Rear Window</p>		

**Step 1**

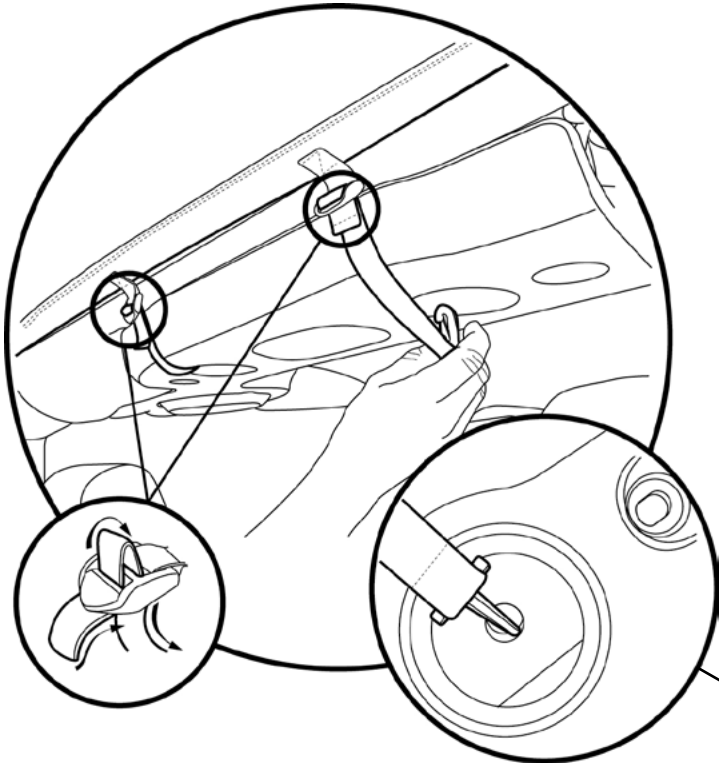


**Step 1**

Remove Side Windows and Rear Window.

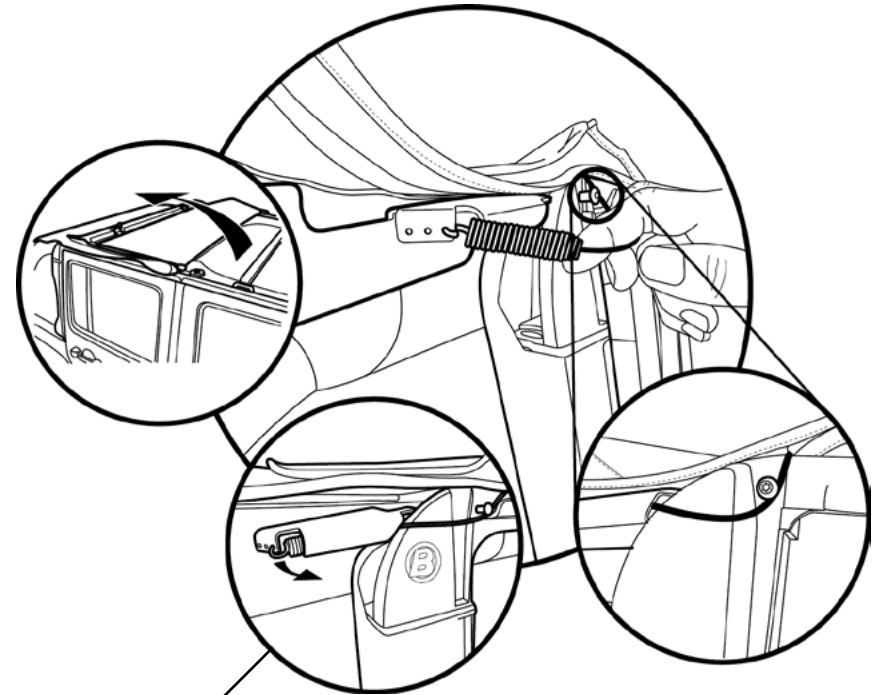


**Step 1**



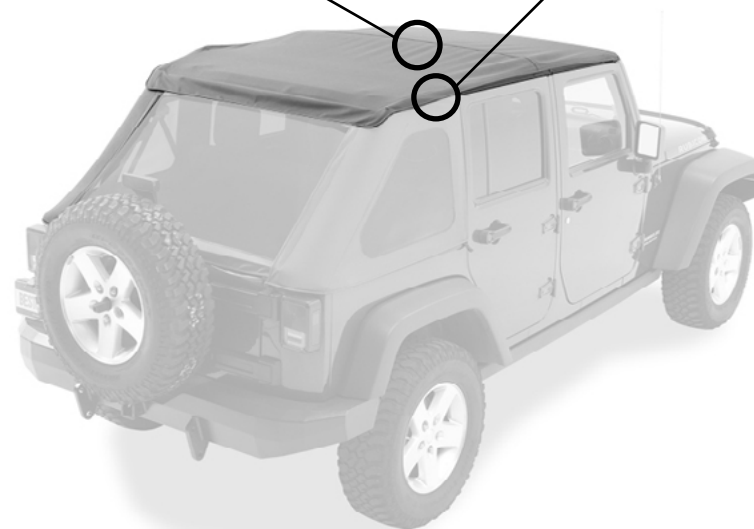
**Step 1**

Unhook the straps from the slot on the underside of the sportbar.

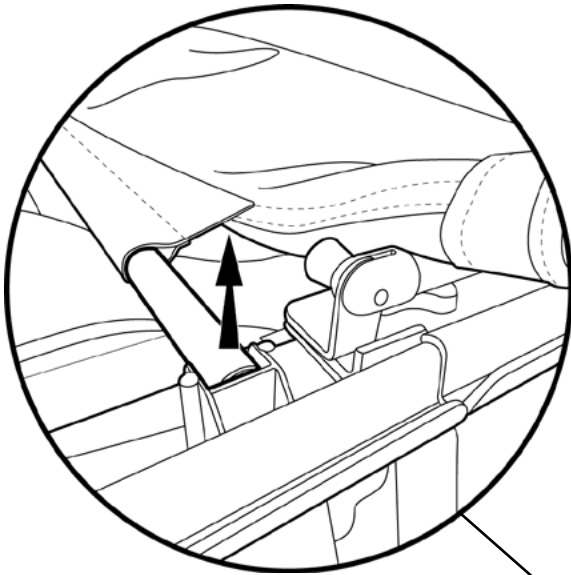


**Step 2**

Open the latches and fold the top back releasing tension from the cable. Remove the cable from the Cable Bracket and remove the cable from the Door Surround Screw on both sides



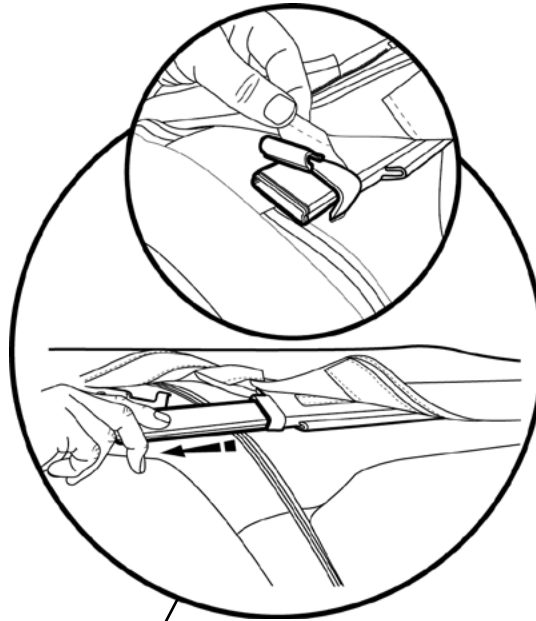
**Step 3**



**Step 3**

Lift the Middle Bow from the slots in the Door Surround.

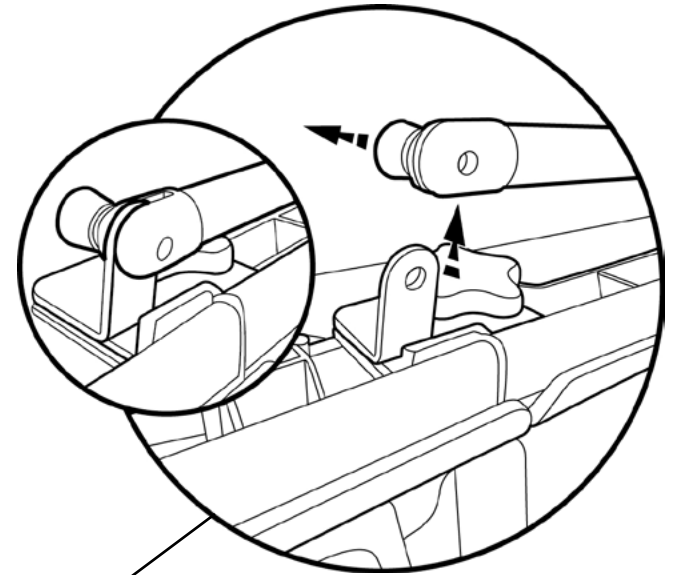
**Step 4**



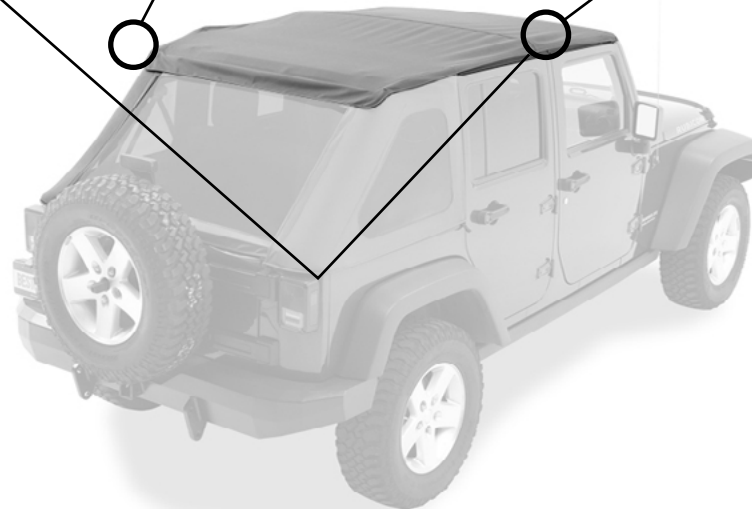
**Step 4**

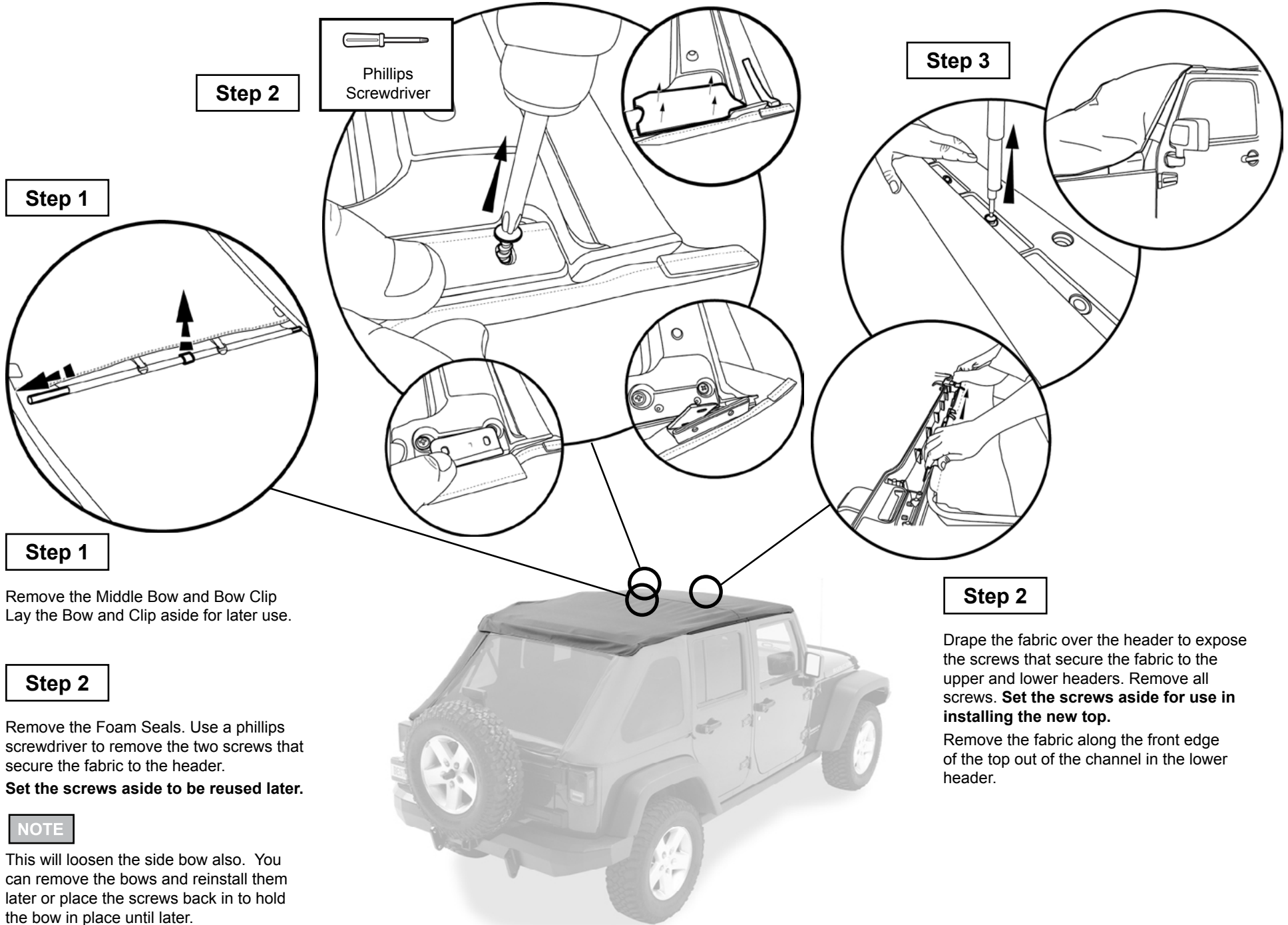
Remove the J-Hook from the Rear Bow and slide the bow out from the retainers and the fabric. Lay the Rear Bow aside for later use.

**Step 5**



Pull back on the quick release knob on the Side Bow and remove the bow from the Sunrider Bracket on both sides.  
Remove the fabric and header from the vehicle.





**Step 1**

**Step 1**


Remove the Middle Bow and Bow Clip  
Lay the Bow and Clip aside for later use.

**Step 2**

Remove the Foam Seals. Use a phillips screwdriver to remove the two screws that secure the fabric to the header.  
**Set the screws aside to be reused later.**

**NOTE**

This will loosen the side bow also. You can remove the bows and reinstall them later or place the screws back in to hold the bow in place until later.

  
Phillips  
Screwdriver

**Step 2**

**Step 3**

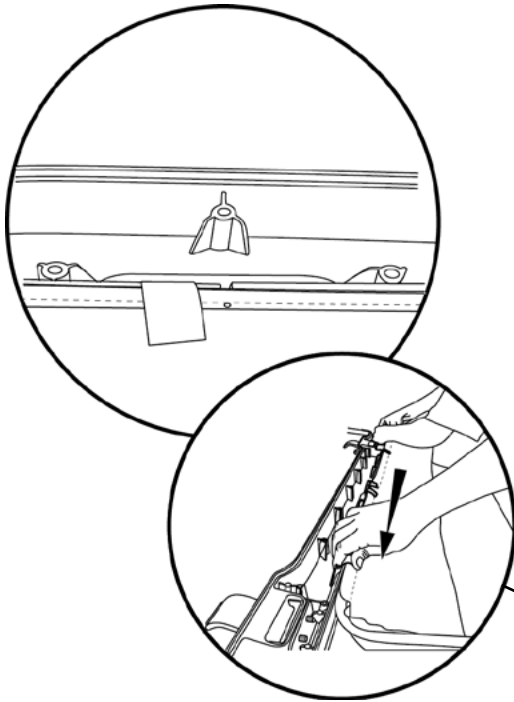
**Step 2**

Drape the fabric over the header to expose the screws that secure the fabric to the upper and lower headers. Remove all screws. **Set the screws aside for use in installing the new top.**

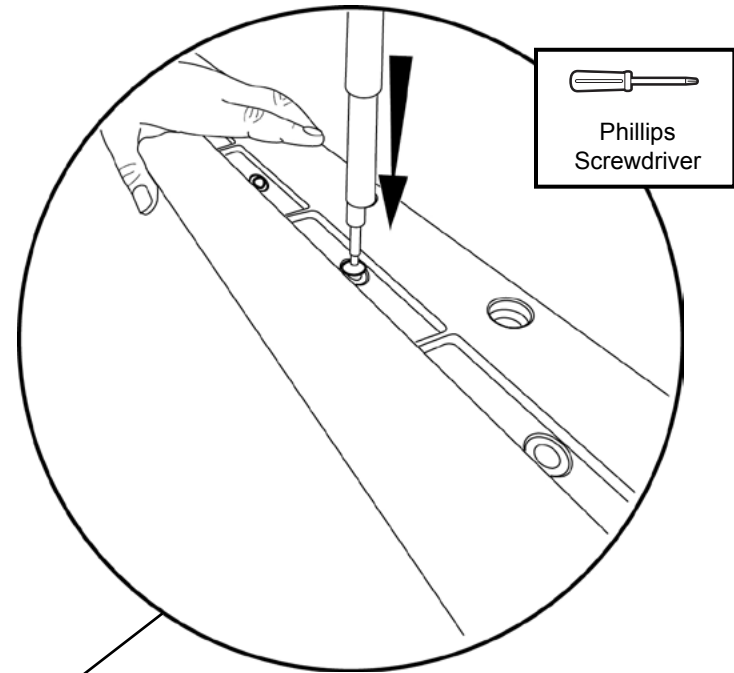
Remove the fabric along the front edge of the top out of the channel in the lower header.



**Step 1** Top Fabric



**Step 2**



**Step 1**

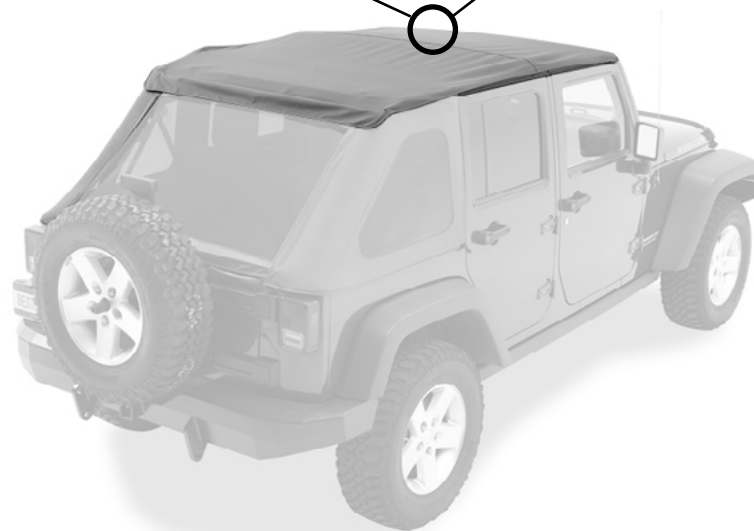
Lay the Lower Header on the ground and position the Sprint Top fabric in the same position as the original top that was removed.

Install the extrusion along the front of the fabric into the header channel.

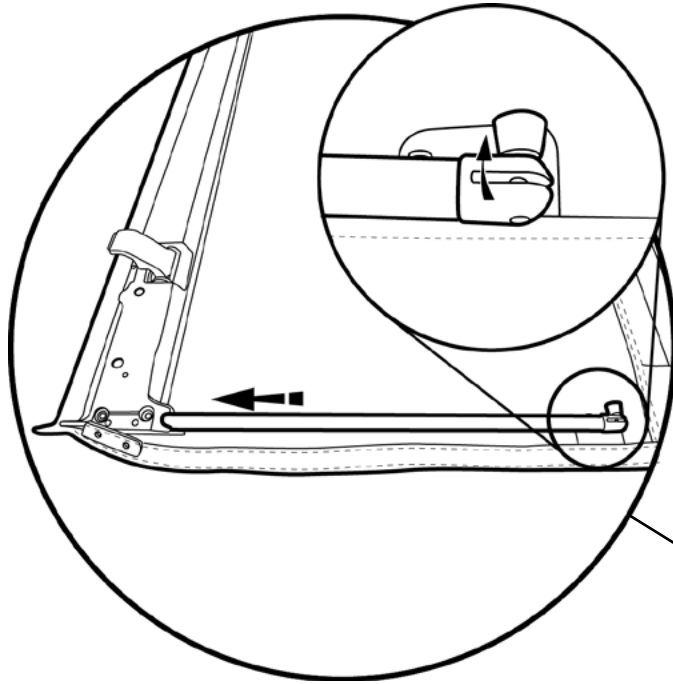
Center the fabric and use masking tape to hold it in position.

**Step 2**

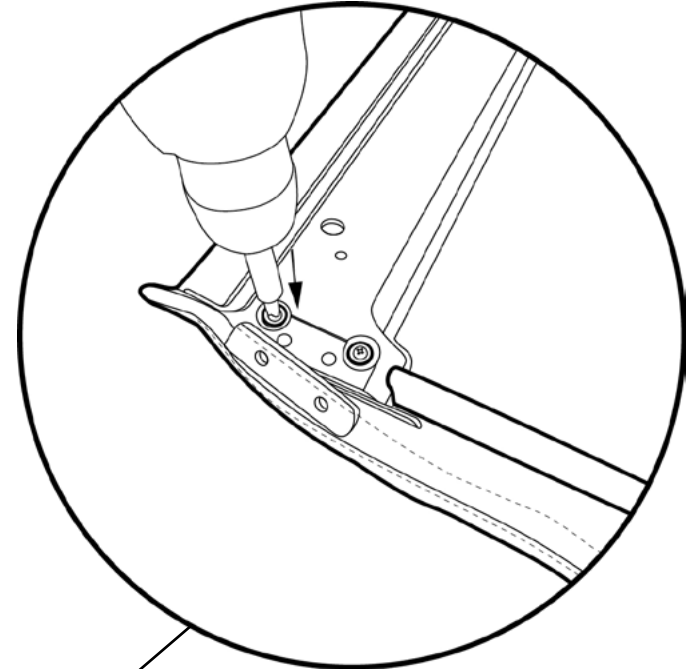
Place the Upper Header onto the Lower Header assembly and reinstall the screws removed in section 4.



**Step 1**



**Step 2**



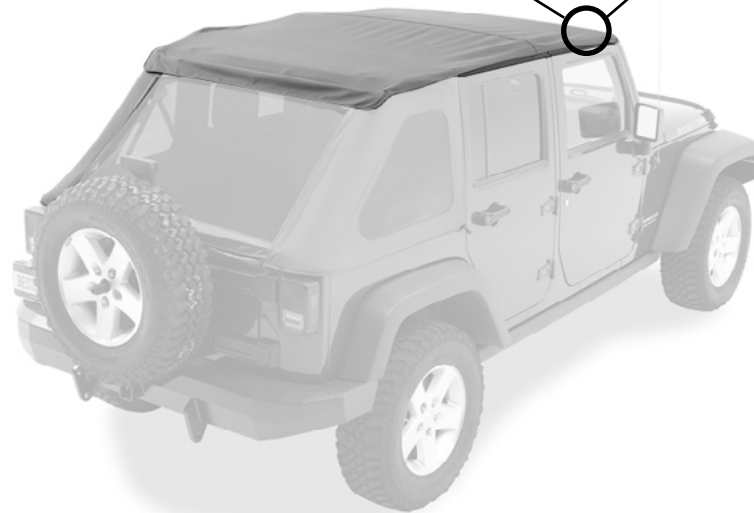
**Step 1**

Insert Side Bows into Header Assembly on each side.

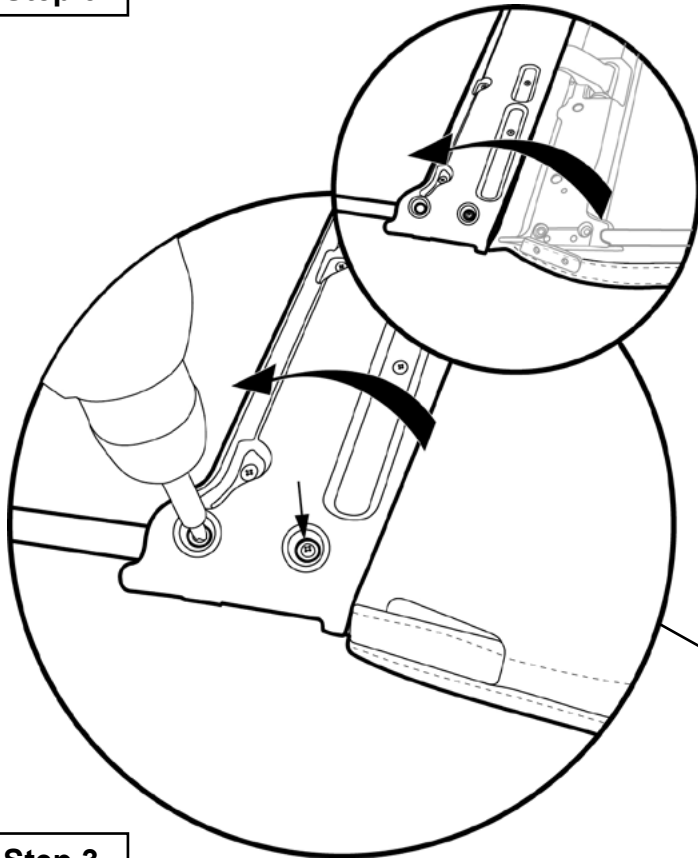
**Pivot quick release knobs to face toward inside of assembly.**

**Step 2**

Re-use the original #8 x 1/2" Screws removed in section 4 to mount a Side Bow to each side of the Header Assembly.



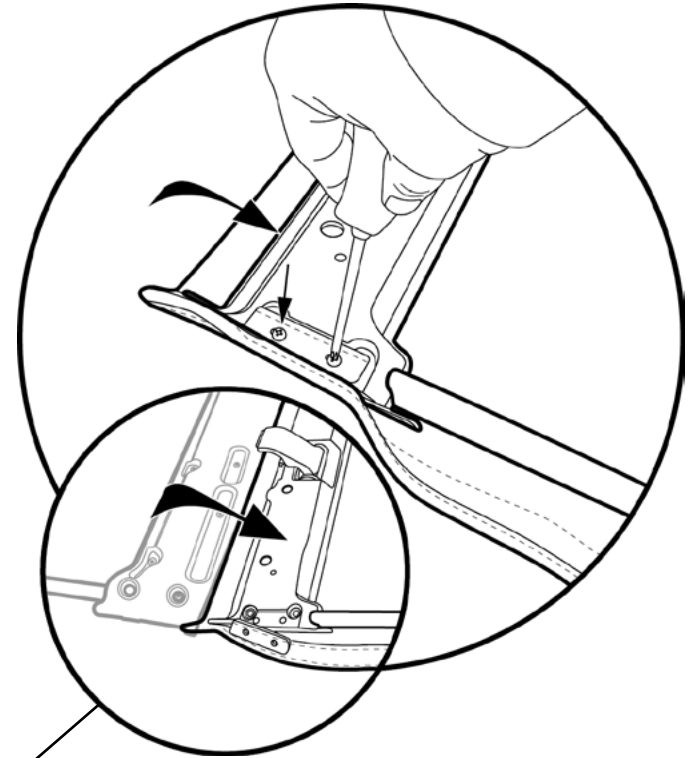
**Step 3**



**Step 3**

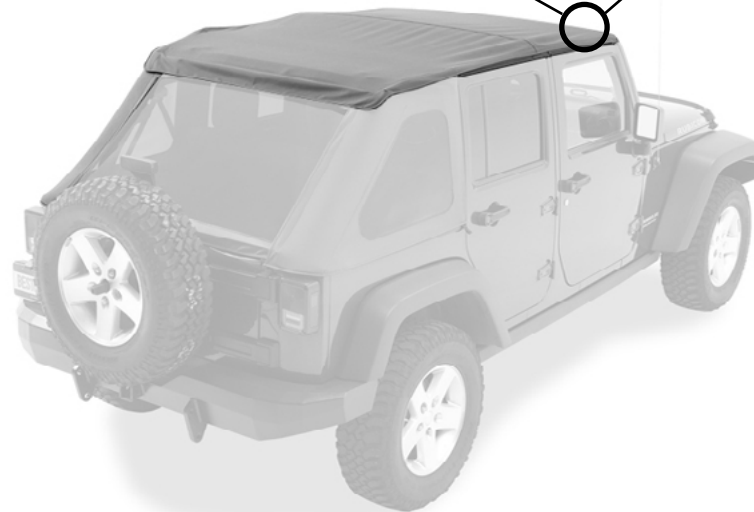
Rotate the Header Assembly and re-use the original #8 x 1/2" Screws removed in section 2 to complete the side bow install.

**Step 4**



**Step 4**

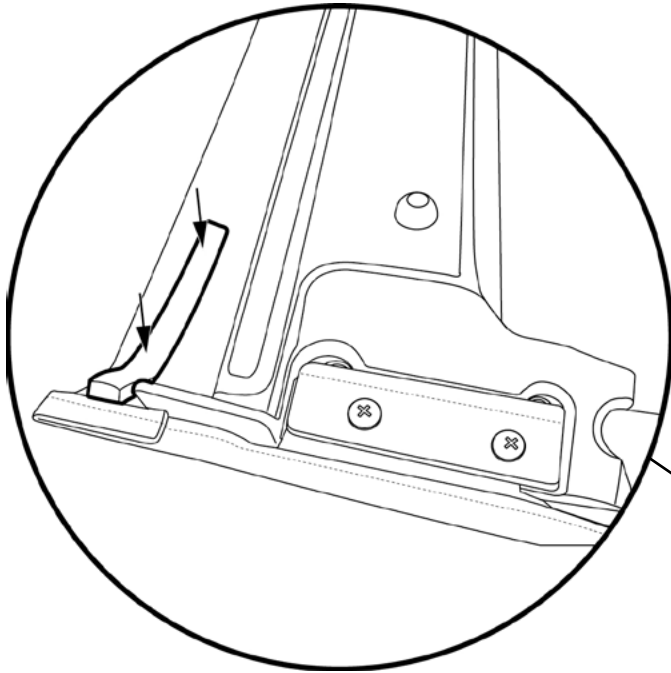
Rotate the Header Assembly back into position and re-use the screws removed in section 2.



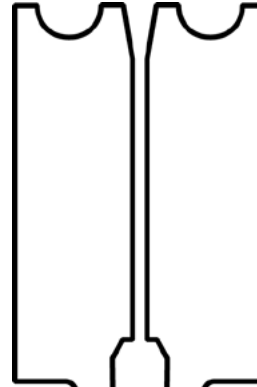
**Step 1** 417.43 457.76

**Hardware**

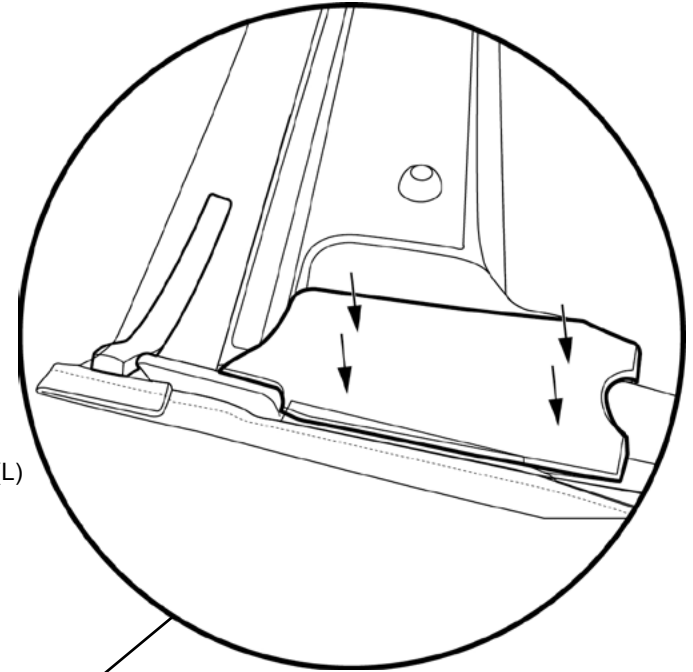
**Step 2**



Foam Tape Strips  
Qty - 2  
Part # 417.43



Foam Seals  
Qty - 1 per side  
Part # 457.76 (R) & 457.77 (L)

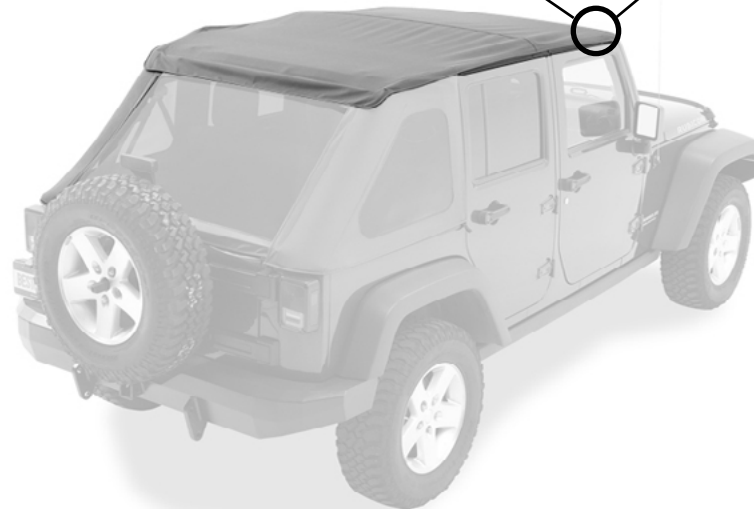


**Step 1**

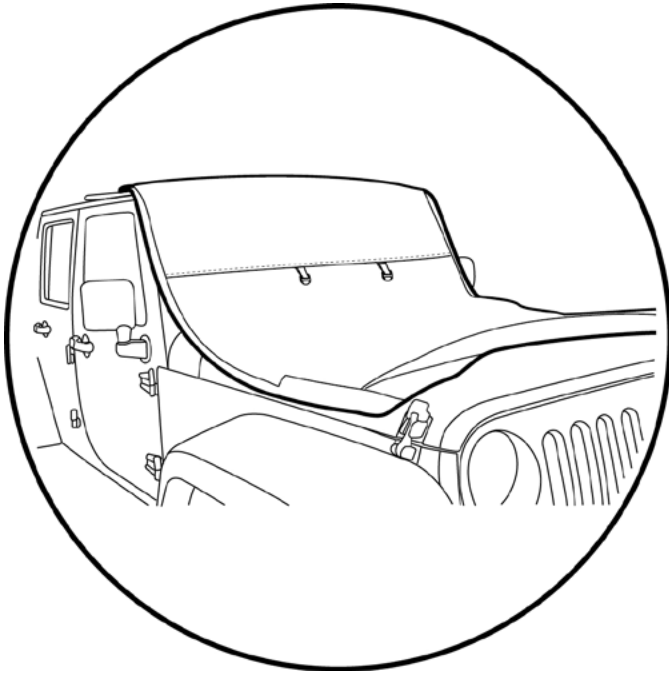
Peel the backing off the Foam Tape Strips and install them on each side of the Header.

**Step 2**

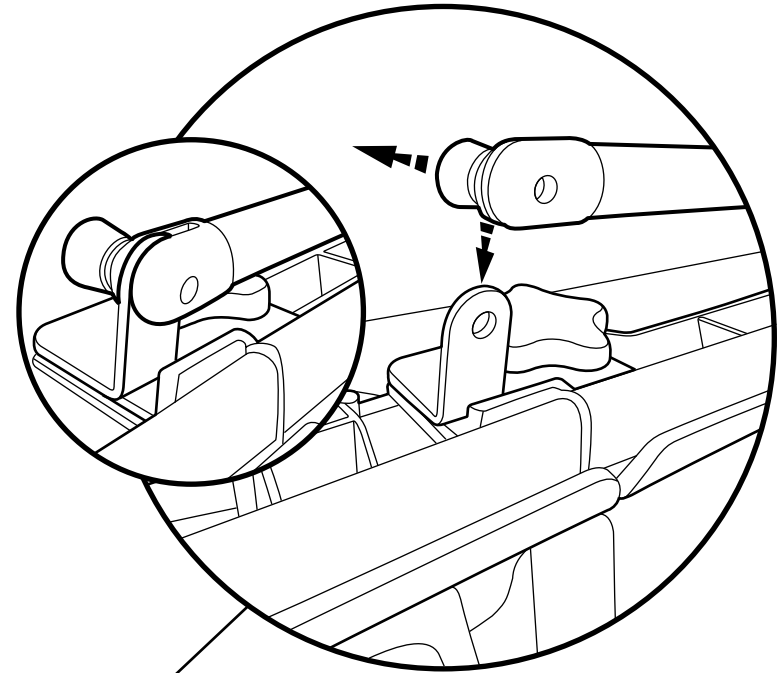
Peel the backing off the Foam Seal and install it on the passenger side of the Header. Repeat on the driver side.



**Step 1**



**Step 2**



**Step 1**

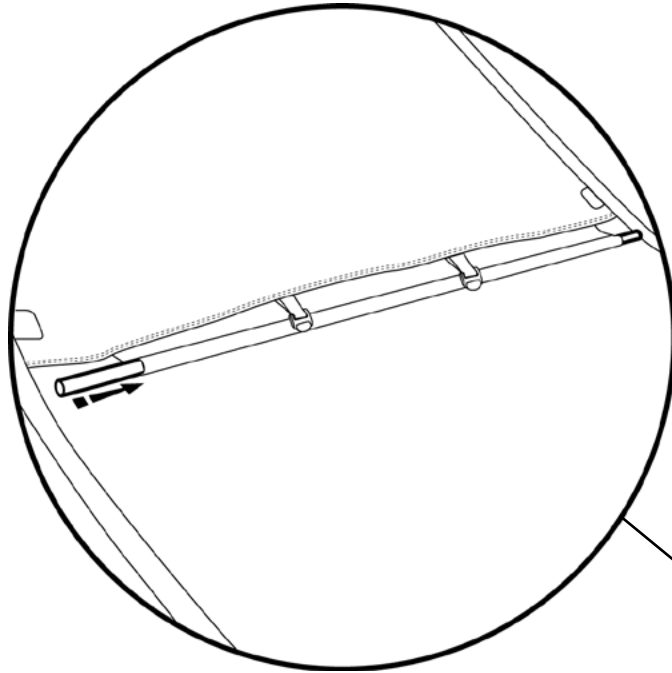
Fold the Top Fabric toward the front of the Header. Place the Header Assembly on vehicle, with the backing up and the Side Bows on top of the Door Surrounds.

**Step 2**

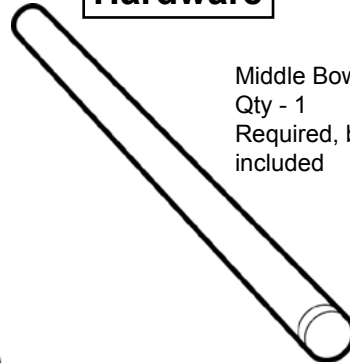
Pull back on the quick release knob on the Side Bow and slide the Side Bow over the Sunrider Bracket. The spring pin should install all the way into the pivot when complete. Repeat on the other side of the vehicle.



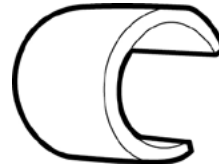
**Step 1**



**Hardware**

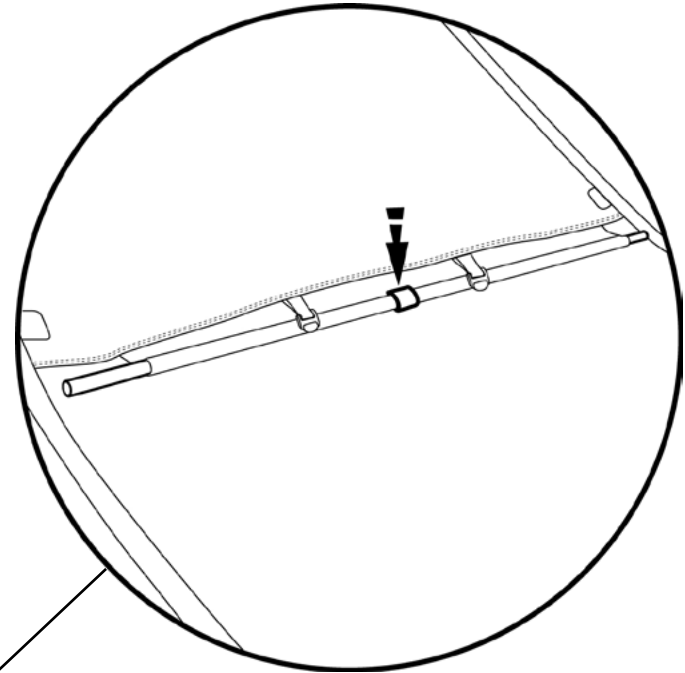


Middle Bow  
Qty - 1  
Required, but not  
included



Bow Clip  
Qty - 1,  
Required, but not  
included

**Step 2**

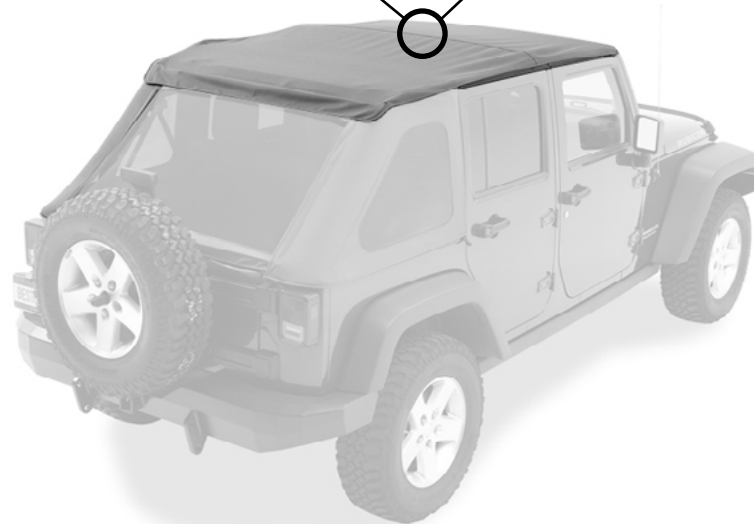


**Step 1**

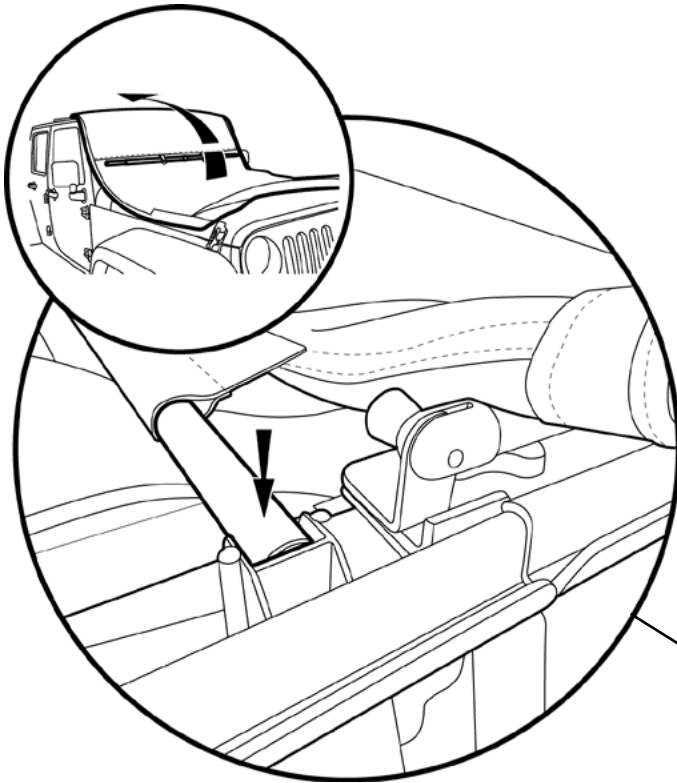
Slide the Middle Bow into the sleeve inside the Top.

**Step 2**

Hook the Bow Clip to the Middle Bow to secure the fabric sleeve.



**Step 1**



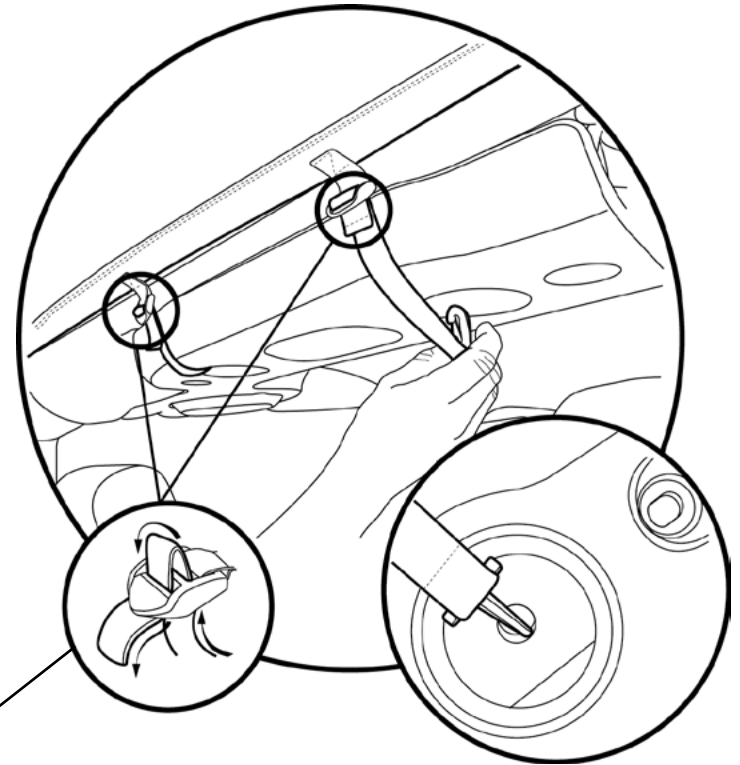
**Step 1**

Drape the Top Fabric over the Top Arches and the sport bars.

Make sure the Middle Bow is centered in the vehicle and sits in the slot in the Door Surround on each side.

Middle Bow fits snug to soundbar.

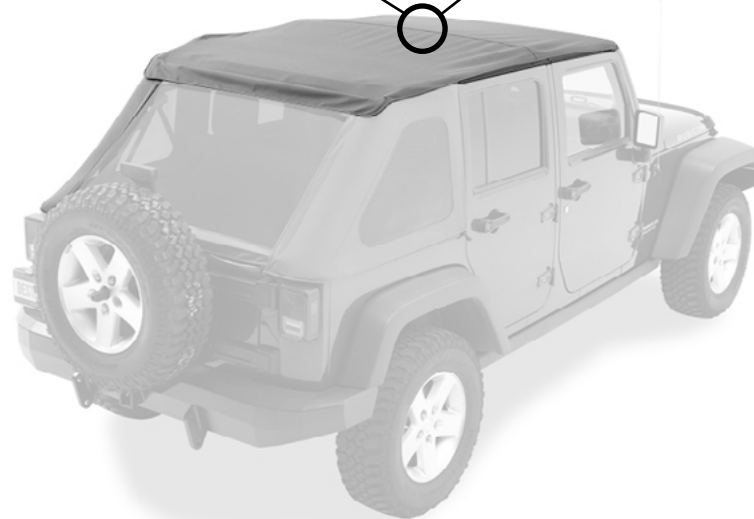
**Step 2**



**Step 2**

Thread a Web Strap with Snap Hook through each buckle. Hook the straps into the slot on the underside of the sportbar. Pull the ends of each strap to tighten securely.

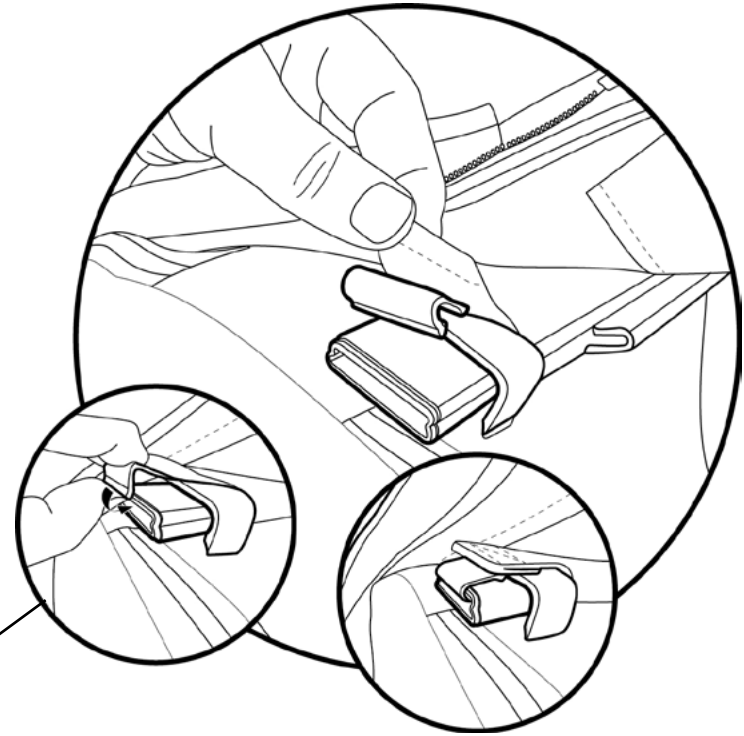
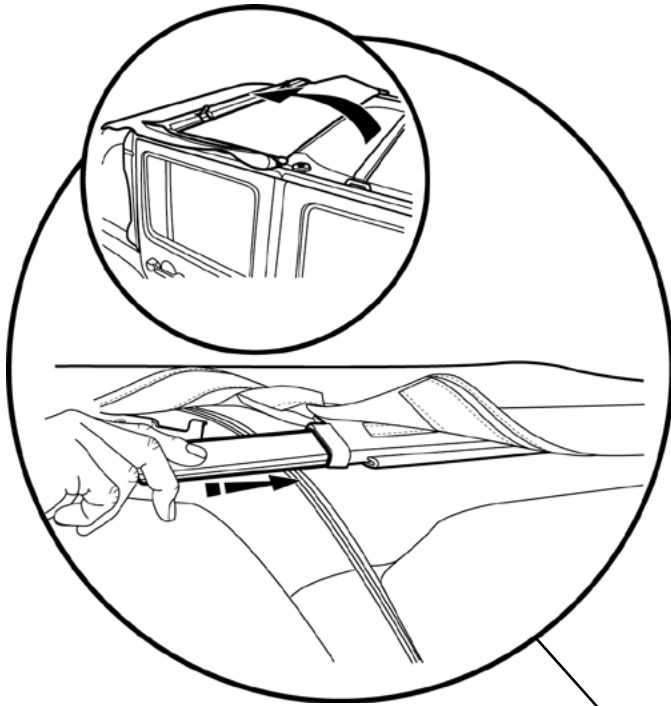
Make sure Middle Bow is secure in slot before pulling Center Straps tight.



**Step 1** Rear Bow

**Hardware**

Rear Bow  
Qty - 1  
Required, but not  
included



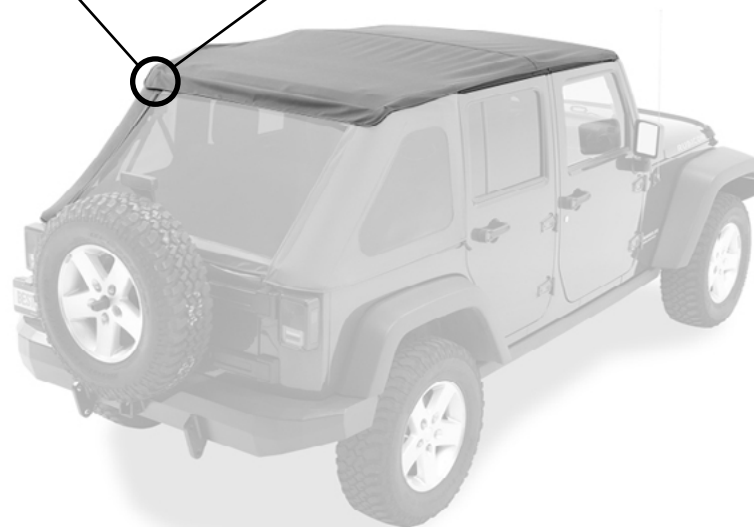
**Step 1**

Open Header.

Slide the Rear Bow into the pocket inside the rear of the Top Fabric. Slide the bow into the Rear Bow Brackets. Make sure it is centered between the brackets.

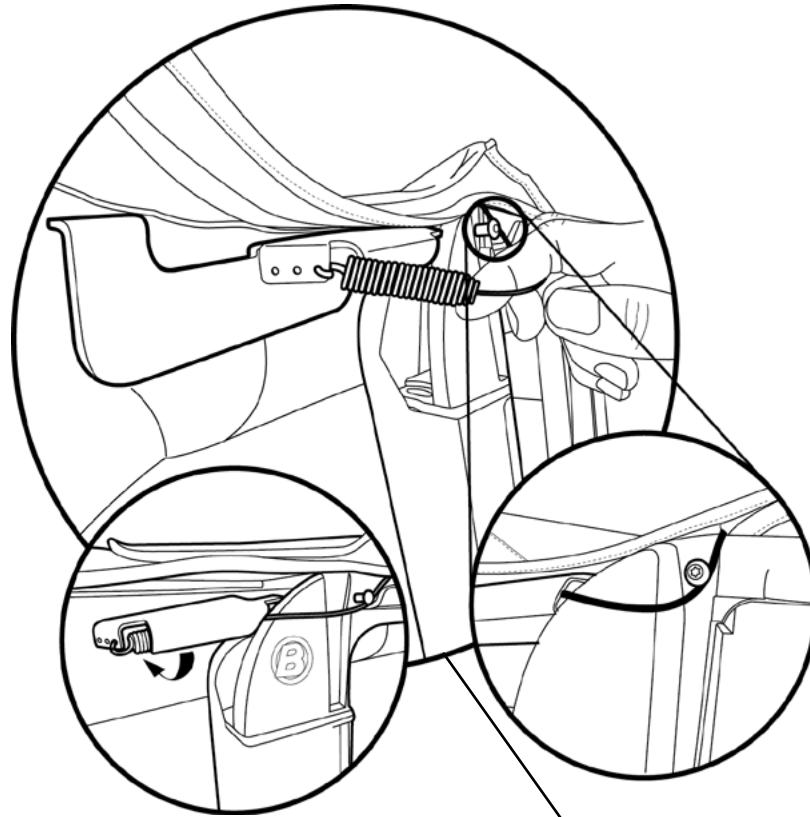
**Step 1**

Secure the J-Hooks on the rear bow flaps to the ends of the Rear Bow.  
Repeat on opposite side.





**Step 1**

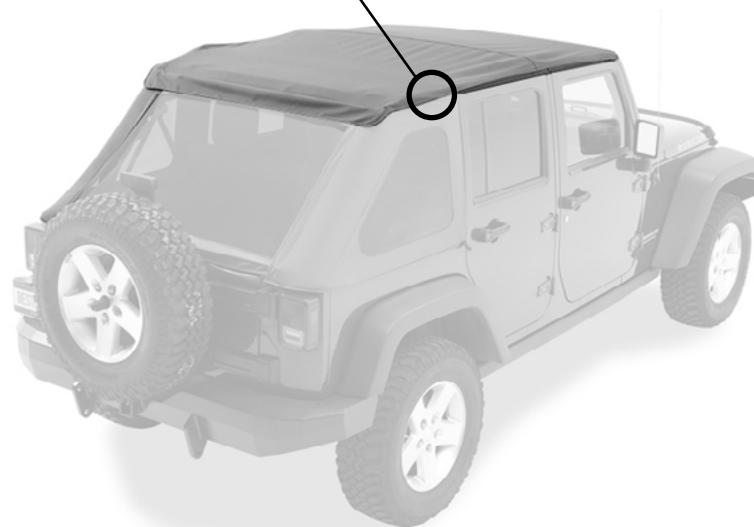


**Step 1**

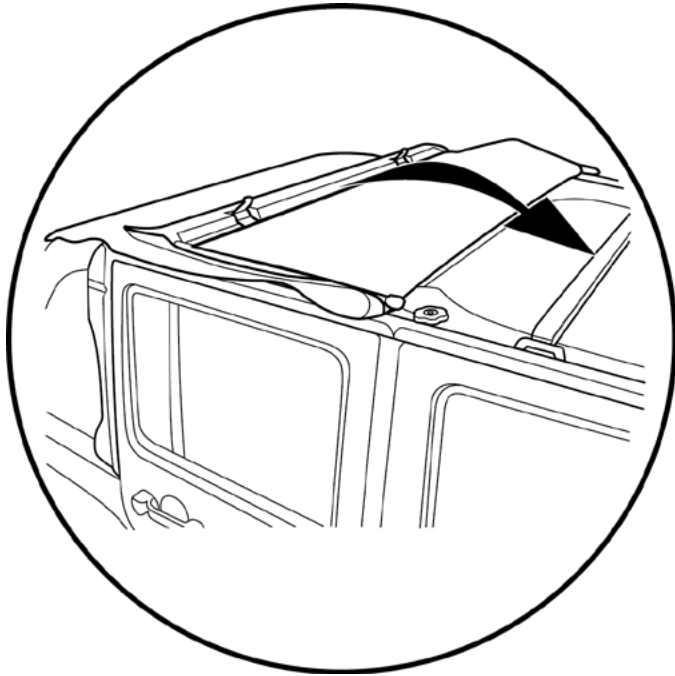
Run the cable under the Door Surround screw and through the Cable Bracket. Hook the cable to the outer hole on the bracket.

To increase spring tension for a tighter fit, hook the spring into one of the inner holes in the Cable Bracket.

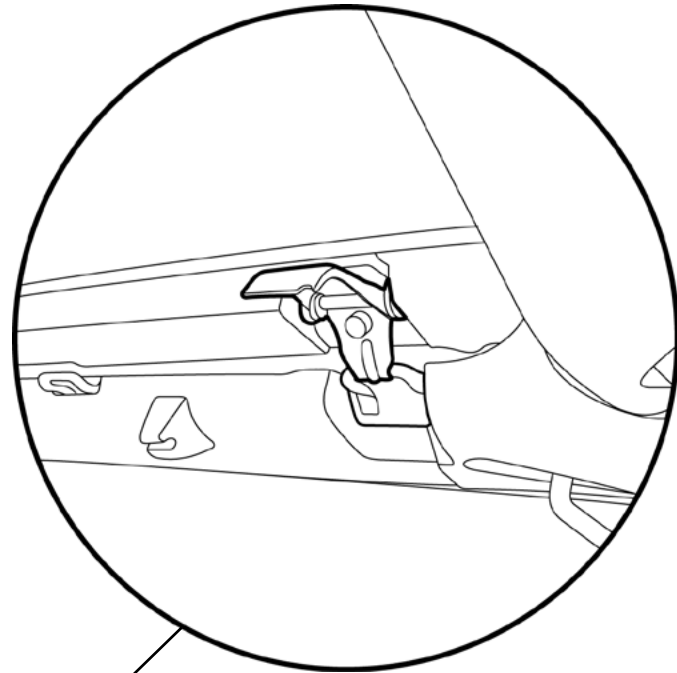
Repeat on opposite side.



**Step 1**



**Step 2**



**Step 1**

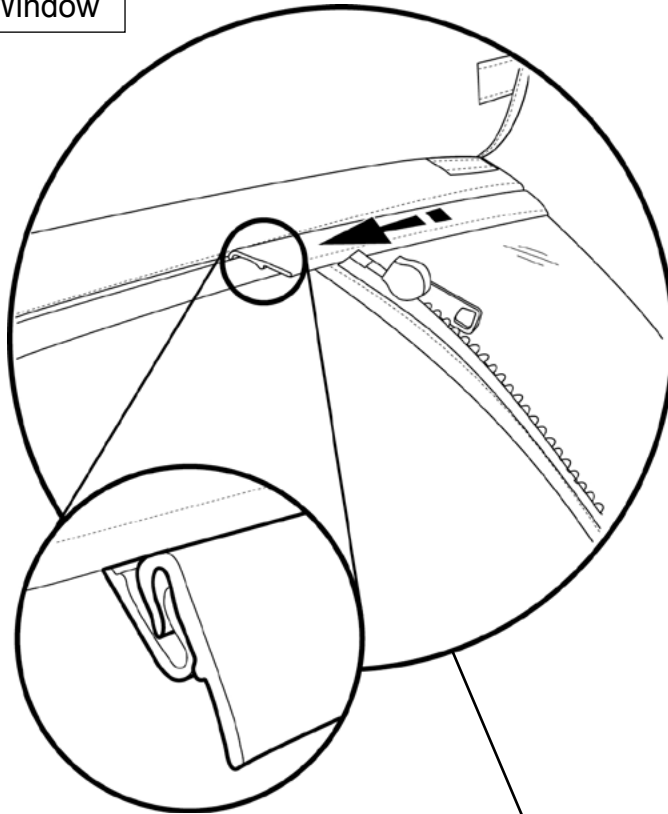
Close the Header.

**Step 2**

Hook the latches on the Header into the loops in the windshield.  
Repeat on opposite side.

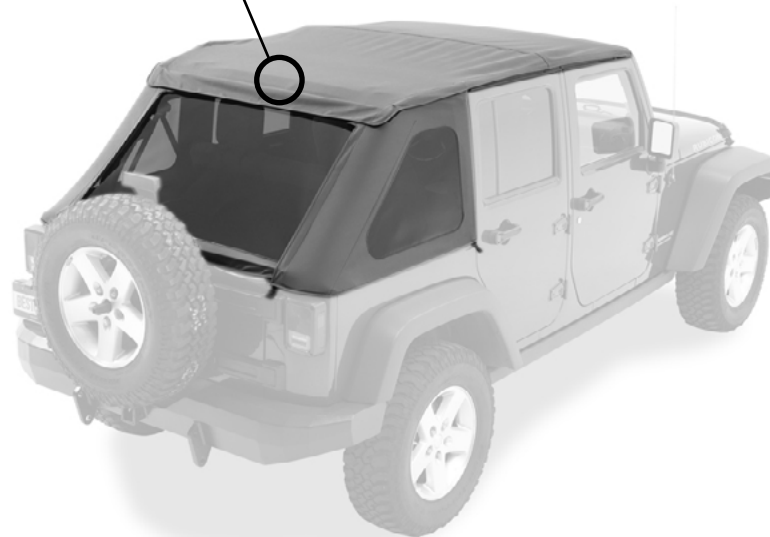


**Step 1** Rear Window

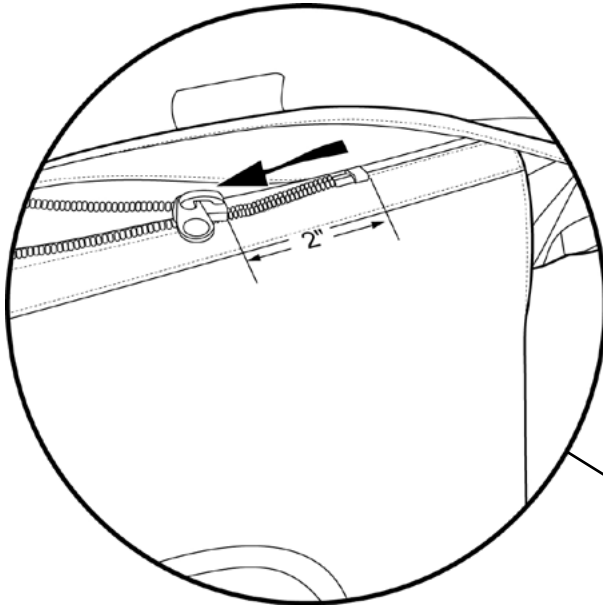


**Step 1**

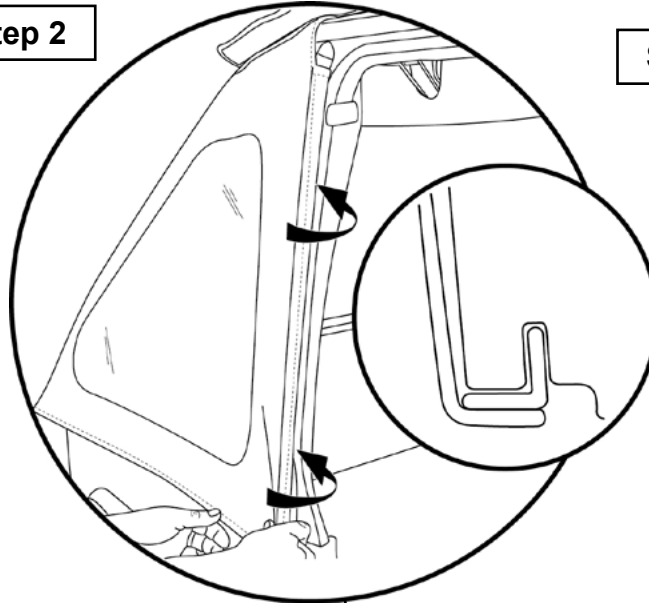
Align the J-slide with the J-slide sewn into the rear of the Top. Slide them together until the Rear Window is centered in the opening.



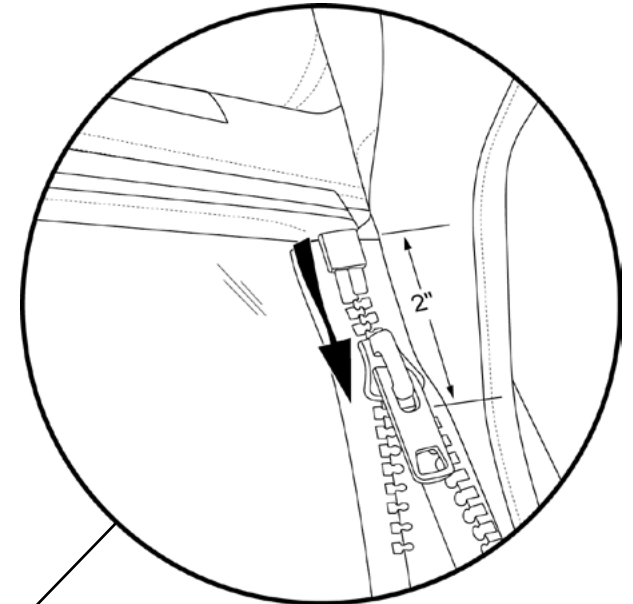
**Step 1** Side Window



**Step 2**



**Step 3**



**Step 1**

Start the zipper along the top of the Side Window with the zipper in the Top. Only close the zipper 1-2".

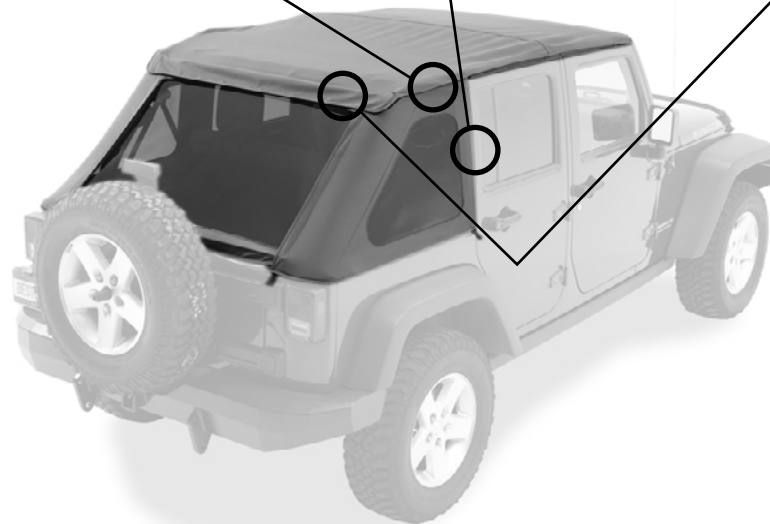
**Step 2**

Slip the plastic strip on the front of a Side Window into the channel in the Door Surround. Repeat with both Side Windows.

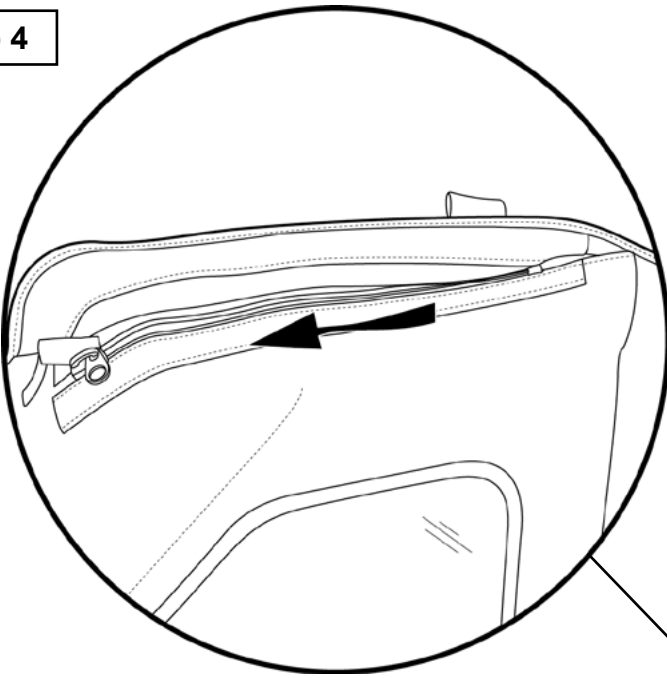
**Step 3**

Engage the Rear Window zipper with the Quarter Panel zipper. Only close the zipper 1-2".

Repeat on opposite side



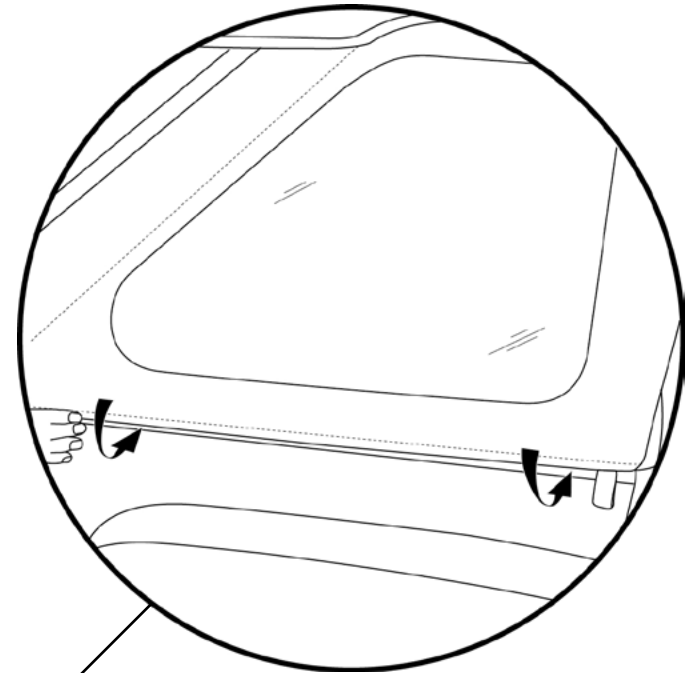
Step 4



Step 4

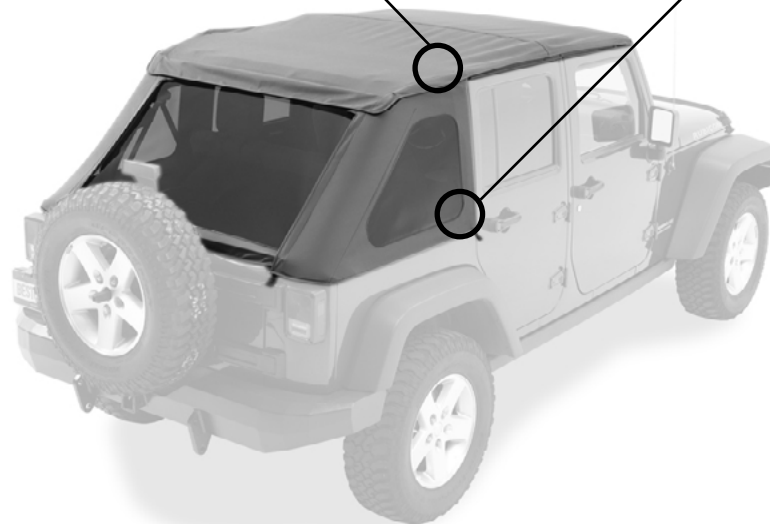
Close the zippers along the top of each Side Window..

Step 5

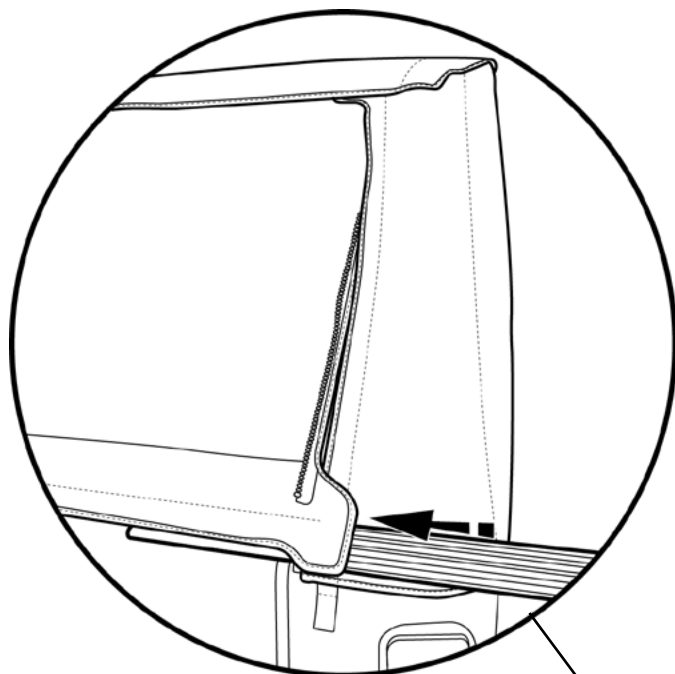


Step 5

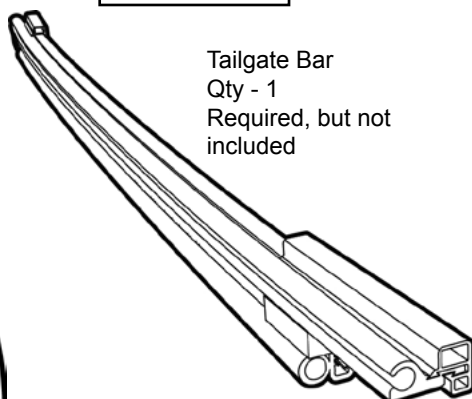
Slip the plastic strip along the bottom of the Side Windows into the channel in the belt rail on each side of the vehicle.  
Repeat on opposite side.



**Step 1**

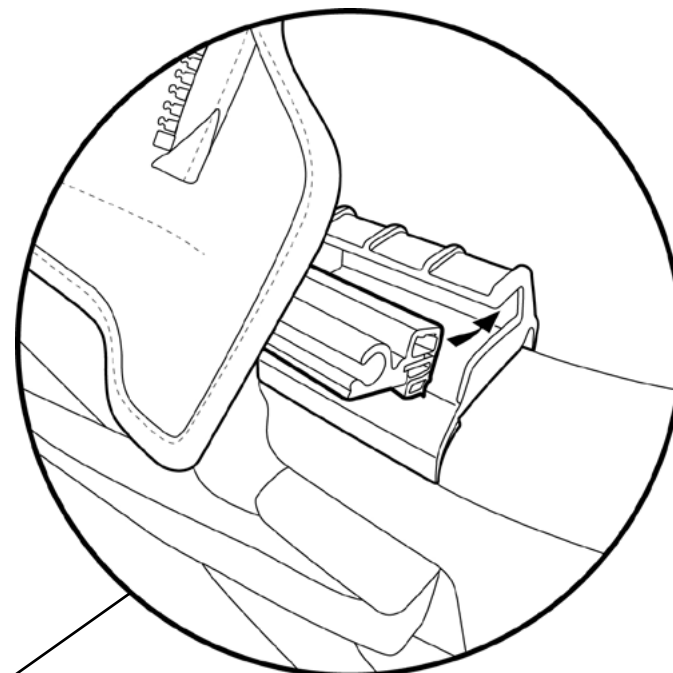


**Hardware**



Tailgate Bar  
Qty - 1  
Required, but not  
included

**Step 2**

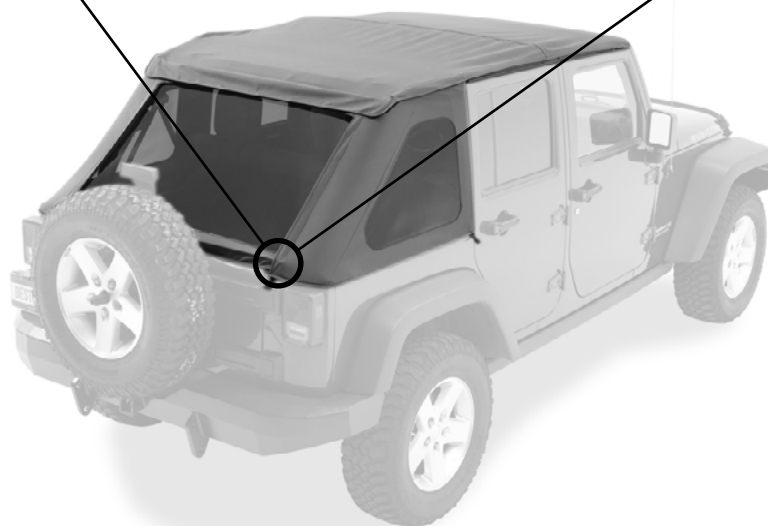


**Step 1**

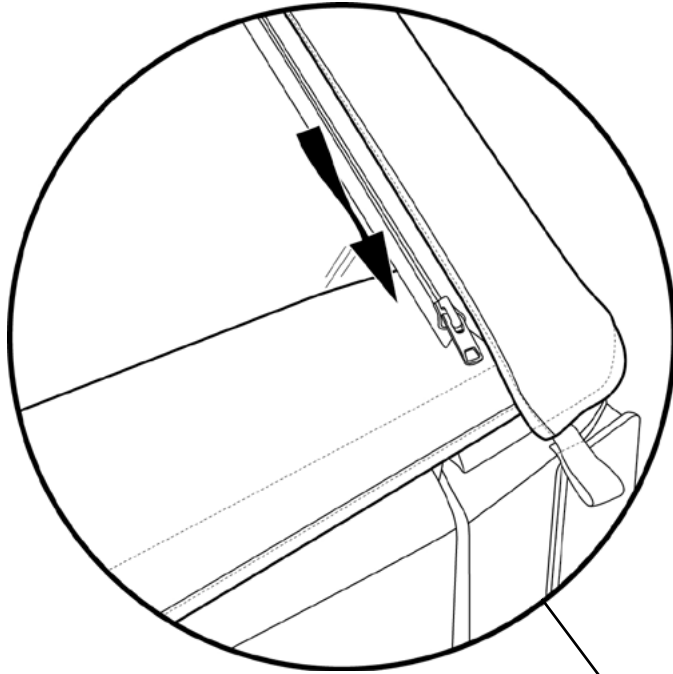
Slide the channel in the Tailgate Bar onto the tubing along the bottom of the Rear Window on the inside.

**Step 2**

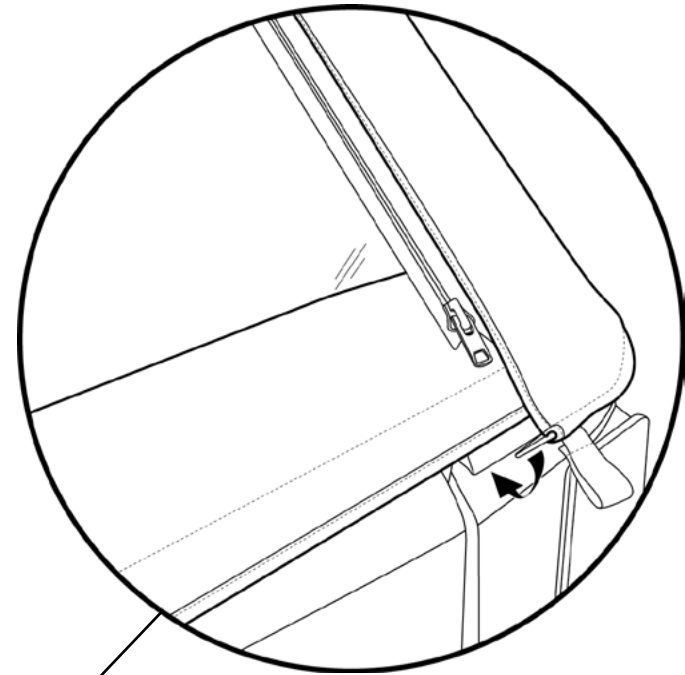
Slide the Tailgate Bar into the Tailgate Bar Mounts on each side of the tailgate opening.



**Step 1**

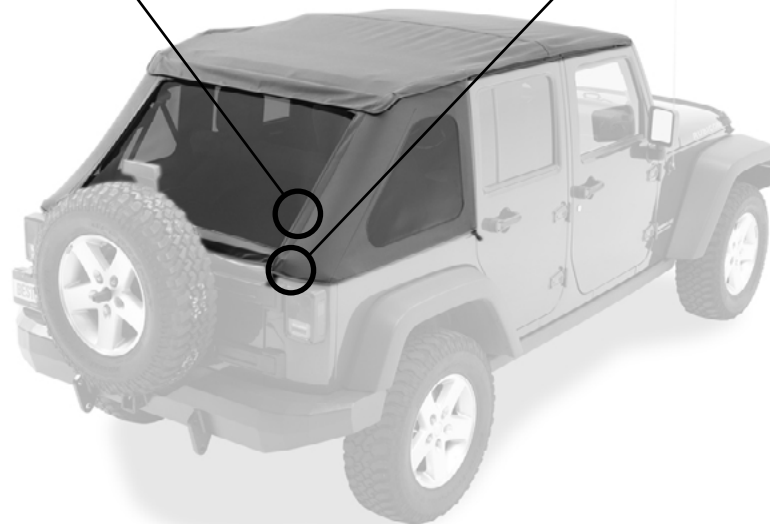


**Step 2**



**Step 1**

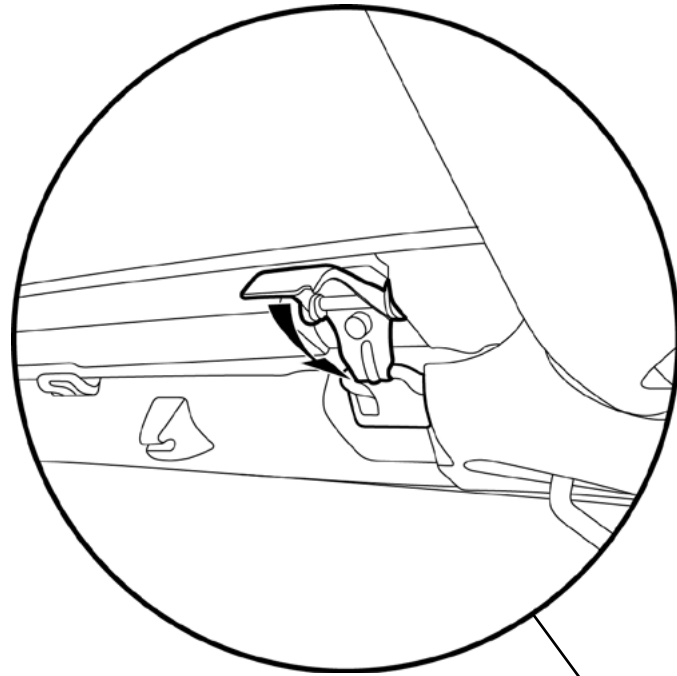
Close the zippers on both sides of the Rear Window.



**Step 2**

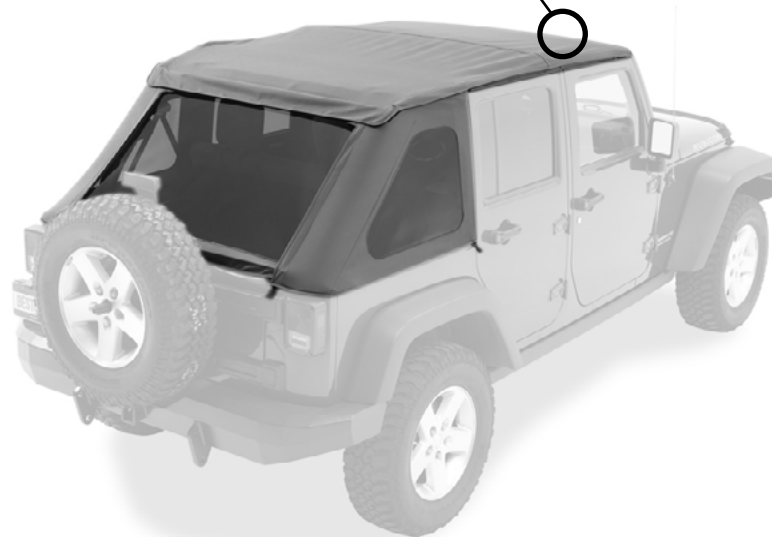
Wrap the Side Windows over the Rear Window and slip the plastic strips on each Side Window under the Tailgate Bar Mounts on each side of the tailgate.

**Step 1**



**Step 1**

Hook the latches on the Header into the loops in the windshield and close them.







## Care and Maintenance of your Bestop Product

Your Bestop product is made of the finest materials available. To keep it looking new and for the maximum possible wear, it will need periodic cleaning and maintenance.

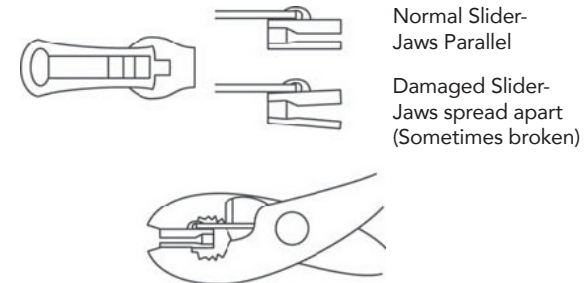
**Fabric:** The fabric should be washed often using soap, warm water and a soft bristle brush. Rinse with clear water to remove all traces of soap. Bestop recommends using Bestop Cleaner (part no. 11201-00) and Bestop Protectant (part no. 11202-00) for Vinyl fabric and Bestop Twill Protectant (part no. 11207-00) for Twill fabric. Bestop Cleaner and Bestop protectant are specially formulated to provide a total cleaning and protection system. Bestop Cleaner safely removes the toughest stains, will not harm vehicle finishes, is biodegradable and environmentally friendly. Bestop Protectant protects against UV-fading, cracking and hardening, and repels dust, grease, dirt and mildew.

**Windows:** Keep windows clean to avoid scratching. DO NOT use a brush on the windows! Wash with a water-soaked cloth or sponge and a mild dishwashing detergent. Bestop recommends Bestop Vinyl Window Cleaner (part no. 11203-00), which safely cleans and protects vinyl windows and helps prevent UV damage. NEVER WIPE THE WINDOWS WHEN THEY ARE DRY. Be careful when cleaning snow or frost from the vinyl windows since they are easily scratched and may crack at low temperatures. DO NOT roll the sides or rear window in cold weather. The windows become stiff and will crack. Cracks caused by misuse in cold temperatures are not covered under warranty.

**Water:** Seeping through at the seams may be stopped by applying 3-M Scotchgard® on the inside of the seams.

**Snaps:** Keep snaps cleaned and lubricated with silicone to help prevent snaps from sticking to the studs. If a snap does become stuck to a stud, use a screwdriver and GENTLY pry apart to prevent permanent damage to the snap or the top fabric.

**Zippers:** Keeping zippers cleaned and lubricated with Bestop's Zipper Cleaner (part no. 11206-00) will help prevent damage and keep the zippers in smooth working condition. If a zipper opens behind the slider, the slider may have been spread apart. This problem can usually be repaired by using an ordinary pair of pliers to bring the sides back into parallel. Return slider to the end of the zipper in the normal Open position. Squeeze lightly at first and test the zipper. If the zipper continues to remain open squeeze more firmly with the pliers and try the zipper again. Repeat this procedure until the zipper operates correctly.



**For Bestop Warranty Information, Please go to;**  
<https://www.bestop.com/help/warranty-information/>

