



Installation Instructions Trektop Halftop 2-Door

Vehicle Application:
Jeep® Wrangler 2-Door JL 2018-2023
Part Number 53903

Installation Tips

Before you begin installing your new Trektop Halftop, please read all the instructions thoroughly.



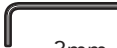




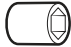




WARNING Do not rely in any way on the components of this product to protect against injury or death in the event of an accident. Never operate the vehicle in excess of manufacturer's specifications. Read and follow, precisely, all installation instructions provided when installing this product. Failure to do so may result in a poor fit and could place occupants of the vehicle in a potentially dangerous situation.

For easier installation, the top should be installed at a temperature above 72° F. Below this temperature, the fabric may contract making it difficult to fit the vehicle.



CAUTION Safety glasses should be worn at all times when installing this product.

WEAR SEAT BELTS AT ALL TIMES

Tools				Installation Time	Support
 Safety Glasses	 T8 - T40 - T50 Torx Drivers	 3mm - 4mm - 5mm Allen Wrenches		3 00 3 hours	We're here to help! Go to: https://www.bestop.com and click on Need Help?  https://www.bestop.com/video-library
 Torque Wrench	 8mm - 10mm Wrenches	- OR -  Socket Wrench	 8mm - 10mm Sockets	Skill Level     3 - Moderately Difficult	



Installation Instructions Trektop Halftop 2-Door

Vehicle Application:
Jeep® Wrangler 2-Door JL 2018-2023
Part Number 53903

Sugerencias de Instalación

Antes de empezar a instalar esta unidad, lea atentamente todas las instrucciones.

Para un buen ajuste:

Para facilitar la instalación, el producto debe instalarse a temperaturas superiores a 72 °F (22 °C).

Por debajo de esta temperatura, la tela puede encogerse una pulgada o más, lo que dificultaría su ajuste al vehículo.

Es normal que la tela se contraiga o arrugue cuando está guardada en la caja de empaque. A los pocos días después de la instalación, la tela se relajará y las arrugas desaparecerán.



ADVERTENCIA

Este producto se diseñó principalmente para mejorar la apariencia del vehículo y proteger a los ocupantes de las condiciones climáticas comunes. De ninguna manera piense que los componentes de este producto pueden servir como medio de contención para los ocupantes del vehículo o que pueden protegerlos contra lesiones o la muerte en caso de accidente. Este producto no protegerá a los ocupantes contra caídas de objetos. Nunca conduzca este vehículo fuera de las especificaciones del fabricante.

USE LOS CINTURONES DE SEGURIDAD EN TODO MOMENTO

Lea y siga con precisión todas las instrucciones de instalación que se proporcionan para instalar este producto. Si no lo hace, podría producirse un mal ajuste que colocaría a los ocupantes del vehículo en una situación potencialmente peligrosa.



PRECAUCIÓN

Debe usar gafas protectoras en todo momento durante la instalación de este producto.

Conseils pour l'installation

Lire toutes les instructions au complet avant de commencer l'installation de cet assemblage.

Pour un ajustement sans problème :

Afin de faciliter l'installation, ce produit doit être installé à des températures au-dessus de 72 °F (22 °C).

Sous cette température, le tissu peut rétrécir d'un pouce (2,5 cm) ou plus, ce qui rendra l'ajustement sur le véhicule difficile.

Il est normal que le tissu rétrécisse et plisse pendant qu'il est dans la boîte d'expédition. En quelques jours après l'installation, le tissu se détendra et les plis disparaîtront.



AVERTISSEMENT

Ce produit est conçu principalement pour améliorer l'apparence du véhicule et pour protéger les occupants des conditions météorologiques usuelles. Ne jamais se fier aux composants de ce produit pour se protéger de blessures ou de la mort en cas d'accident. Ce produit ne protégera pas les occupants des chutes d'objets. Ne jamais utiliser le véhicule au-delà des caractéristiques techniques indiquées par le fabricant.

PORTER UNE CEINTURE DE SÉCURITÉ EN TOUT TEMPS

Lire et suivre, très fidèlement, toutes les instructions d'installation fournies lors de l'installation de ce produit. Ne pas suivre cette consigne peut causer une installation inadéquate et mettre les occupants du véhicule dans une situation potentiellement dangereuse.



MISE EN GARDE

Des lunettes de sécurité doivent être portées en tout temps lors de l'installation de ce produit.



Installation Instructions Trektop Halftop 2-Door

Vehicle Application:
Jeep® Wrangler 2-Door JL 2018-2023
Part Number 53903

Parts List



M6 Nylon Lock Nut
#494.01
Qty. 4



M5 Nylon Lock Nut
#526.76
Qty. 8



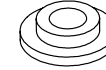
M5x0.8x12
Flanged Button
Head Cap Screw
#531.49
Qty. 4



M6 x 1x15
Button Head
Socket Cap Screw
#517.63
Qty. 4



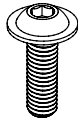
M6 Flat Washer
#515.81
Qty. 8



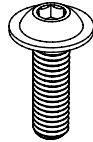
Plastic Bushing
#473.40
Qty. 16



M5 Flat Washer
#565.90
Qty. 16



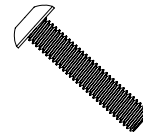
M6x20mm Flanged
Button Head Screw
#517.48
Qty. 4



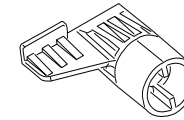
M8x1.25x20mm
Flanged Button Head
Cap Screw
#573.09
Qty. 6



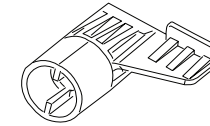
M8x1.25x38
Button Head
Socket Cap Screw
#532.17
Qty. 2



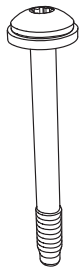
M5x0.8x25
Button Head
Socket Cap Screw
#579.60
Qty. 8



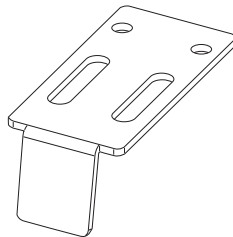
Cap, Bow End RT
Part #592.66
Qty. 1



Cap, Bow End LT
Part #593.71
Qty. 1



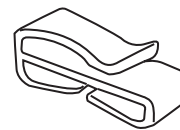
M8x1.25x80 Screw
#532.23
Qty. 4



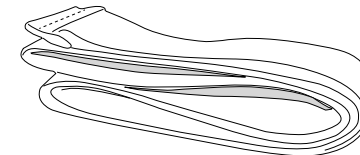
Brkt, Rear Attach
Part #611.88
Qty. 2



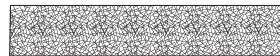
Bestop Window Sticker
#338.32
Qty. 1



Strap Clip
#338.24
Qty. 2



30 inch Nylon Strap
Part #629.63
Qty. 1



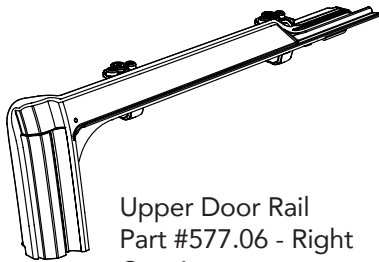
1" Loop Strip
#546.15
Qty. 10 Inches



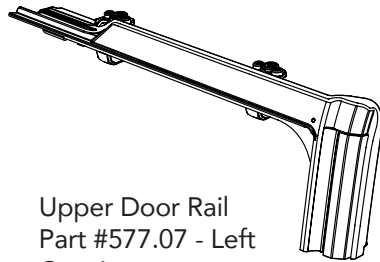
Installation Instructions Trektop Halftop 2-Door

Vehicle Application:
Jeep® Wrangler 2-Door JL 2018-2023
Part Number 53903

Parts List



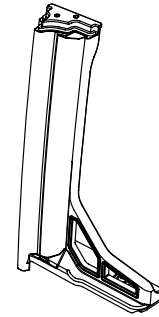
Upper Door Rail
Part #577.06 - Right
Qty. 1



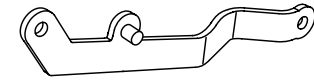
Upper Door Rail
Part #577.07 - Left
Qty. 1



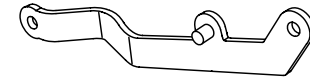
Lower Door Rail
Part #577.08 - Right
Qty. 1



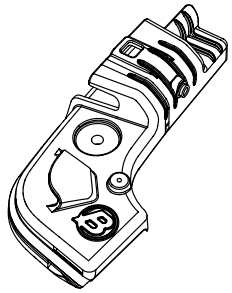
Lower Door Rail
Part #577.09 - Left
Qty. 1



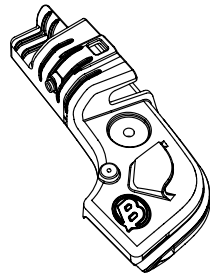
#2 Bow Link Assembly
Part #578.66 - Right
Qty. 1



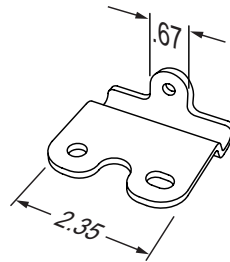
#2 Bow Link Assembly
Part #578.67 - Left
Qty. 1



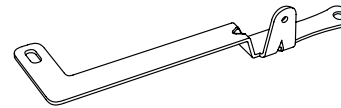
Tailgate Bar Retainer
Part #575.38 - Right
Qty. 1



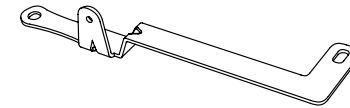
Tailgate Bar Retainer
Part #575.39 - Left
Qty. 1



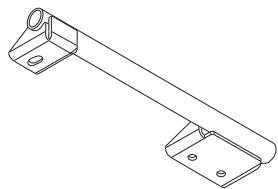
Side Bow Pivot Bracket
Part #579.96
Qty. 2



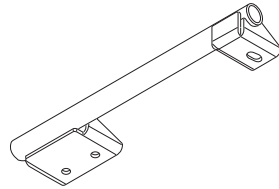
#2 Bow Mount Bracket
Part #585.46 - Right
Qty. 1



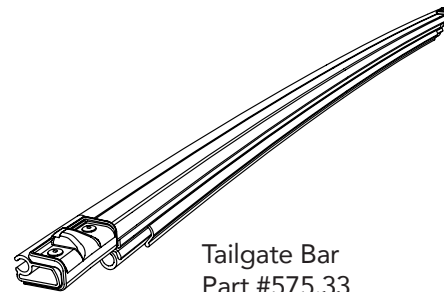
#2 Bow Mount Bracket
Part #585.47 - Left
Qty. 1



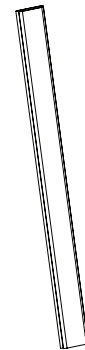
#3 Bow Mount Bracket
Part #613.66 - Right
Qty. 1



#3 Bow Mount Bracket
Part #613.67 - Left
Qty. 1



Tailgate Bar
Part #575.33
Qty. 1



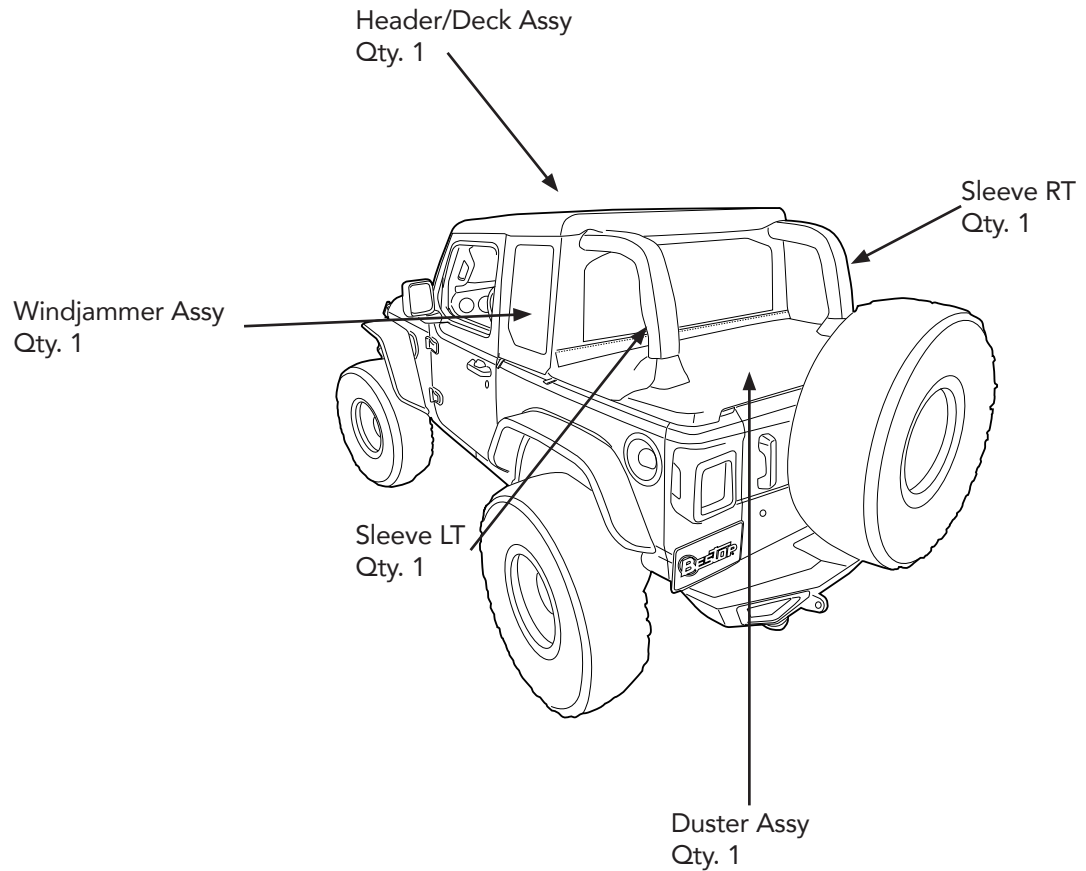
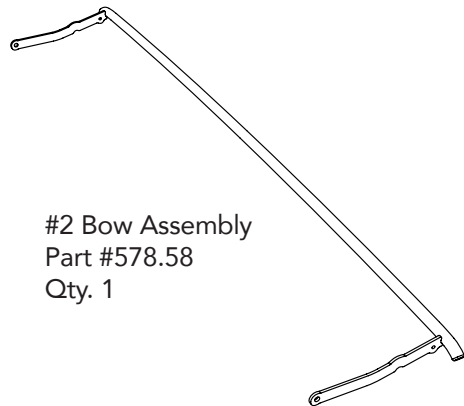
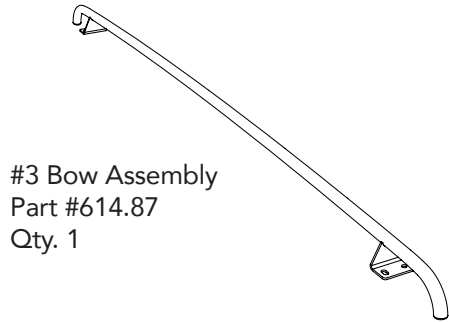
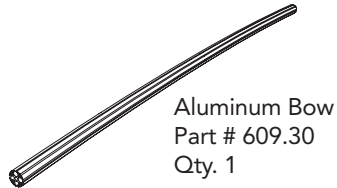
D Pillar Bow
Part #614.89
Qty. 2

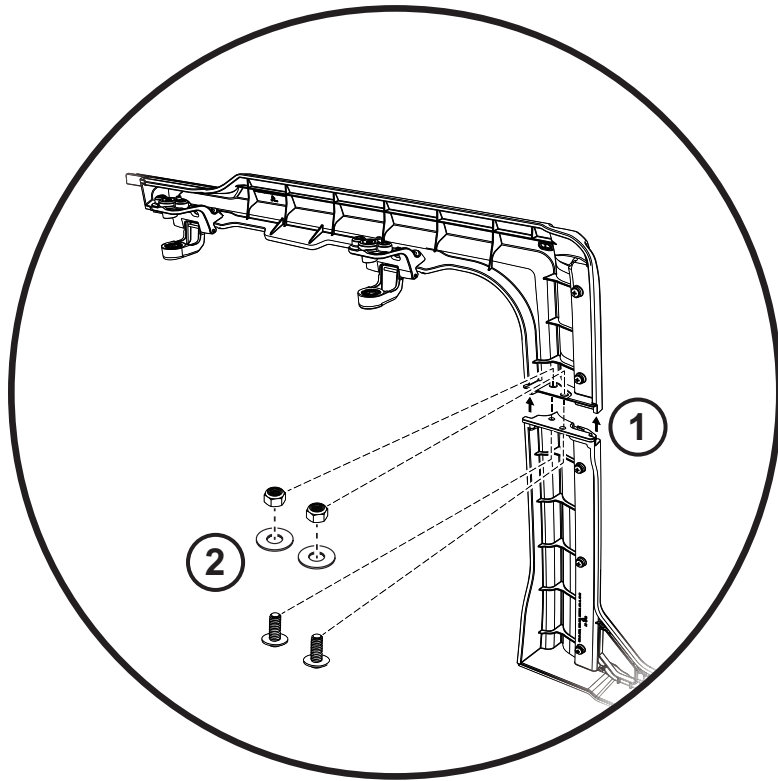


Installation Instructions Trektop Halftop 2-Door

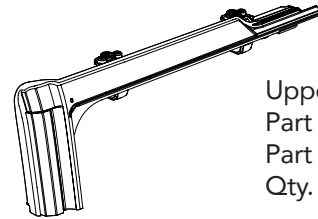
Vehicle Application:
Jeep® Wrangler 2-Door JL 2018-2023
Part Number 53903

Parts List





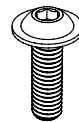
Hardware



Upper Door Rail
Part #577.06 - Right (shown)
Part #577.07 - Left
Qty. 1 of each



Lower Door Rail
Part #577.08 - Right (shown)
Part #577.09 - Left
Qty. 1 of each



M6x20mm
Flanged Button Head
Cap Screw
#517.48
Qty. 4



M6 Flat Washer
#515.81
Qty. 4



M6 Nylon Lock Nut
#494.01
Qty. 4

- 1 Attach the Right Upper Door Rail #577.06 to the Right Lower Door Rail #577.08.
- 2 Use two (2) #517.48 Button Head Cap Screws, two (2) M6 Flat Washers #515.81, and two (2) M6 Nylon Lock Nuts #494.01 to secure the Door Rails together.

NOTE: Screws thread up from the bottom into the M6 Nylon Lock Nuts.

Repeat with the Left side Door Rails #577.07 and #577.09.

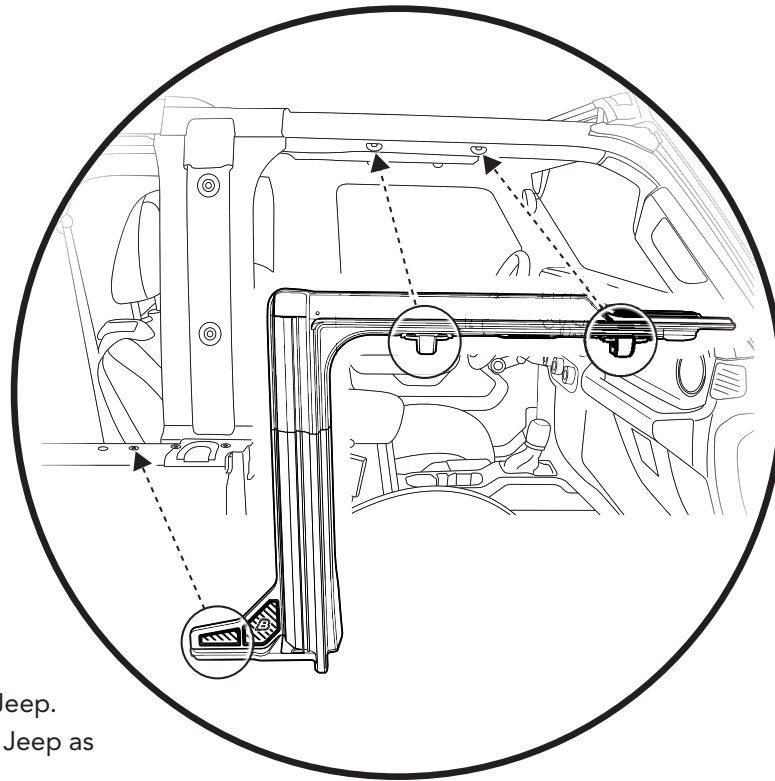
Tools



4mm
Allen Wrench



10mm
Wrench

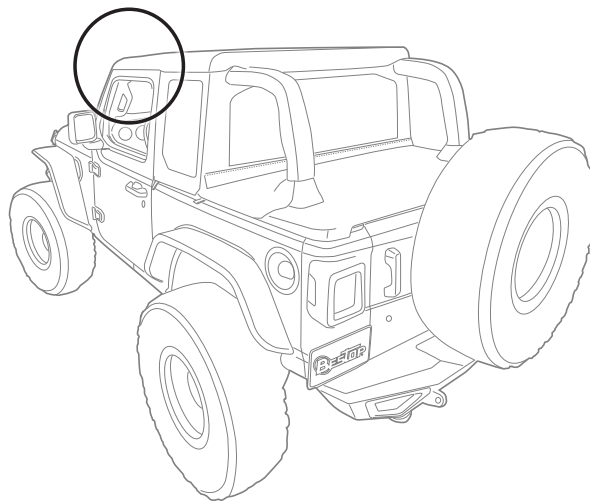


Attach the Door Rail Assemblies to the Jeep.
Place each Door Rail Assembly onto the Jeep as shown above.

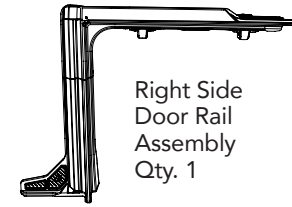
Align the hole in the lower portion of the Assembly with the threaded hole in the Jeep belt rail, the alignment pin on the bottom of the Assembly with the receiving hole in the top of the belt rail, and the two integral brackets along the top of the Assembly with the through-holes in the Jeep Sport Bar. Insert two (2) M8x1.25x80 Screws #532.23 up from the bottom of the integral brackets and tighten and tighten to 55 in/lb (4.5 ft/lb).

Note: To prevent over torquing, Use a Screwdriver type Torx driver if a torque wrench is not available.

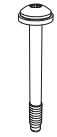
Use one (1) M8x1.25x20 screw #573.09 on each Assembly to secure the Assembly to the Jeep belt rail.



Hardware



Right Side
Door Rail
Assembly
Qty. 1



M8x1.25x80
Screw
#532.23
Qty. 4



Left Side
Door Rail
Assembly
Qty. 1



M8x1.25x20
Screw
#573.09
Qty. 2

Tools



T40 Torx Driver



Torque Wrench

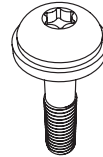
Hardware



Tailgate Bar Retainer
Part #575.38 - Right
Qty. 1



Tailgate Bar Retainer
Part #573.39 - Left
Qty. 1

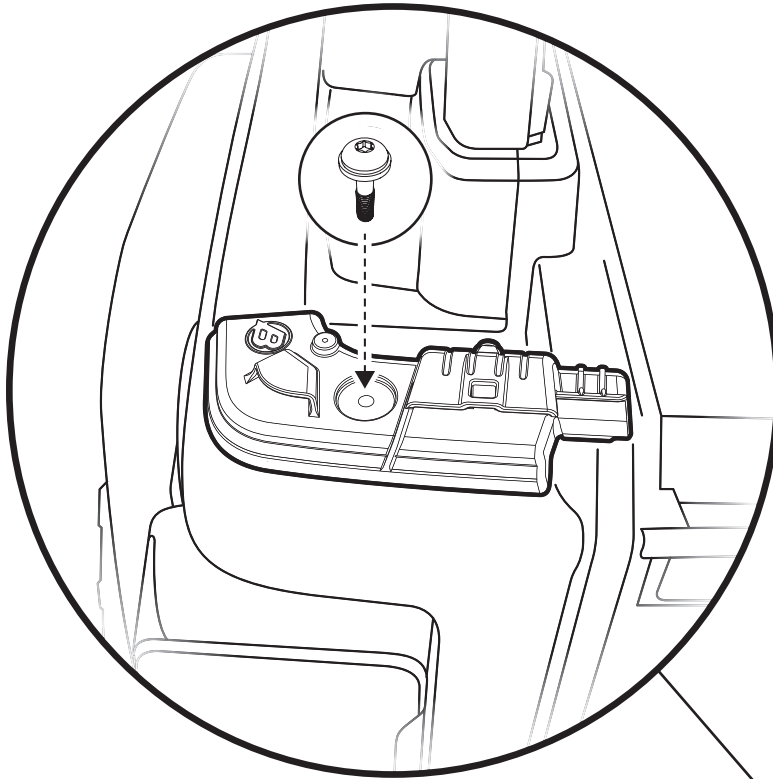


M8x1.25x38
Button Head
Socket Cap Screw
#532.17
Qty. 2

Tools

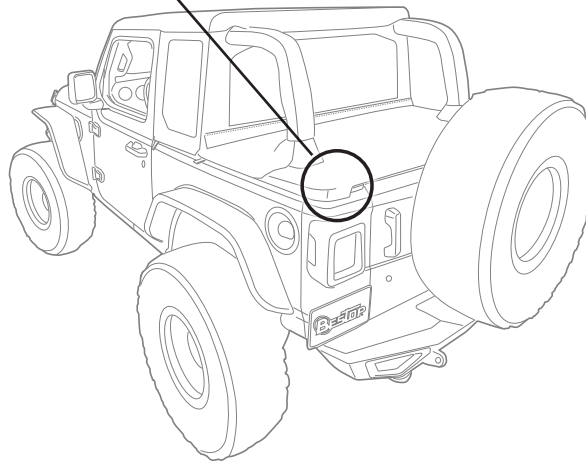


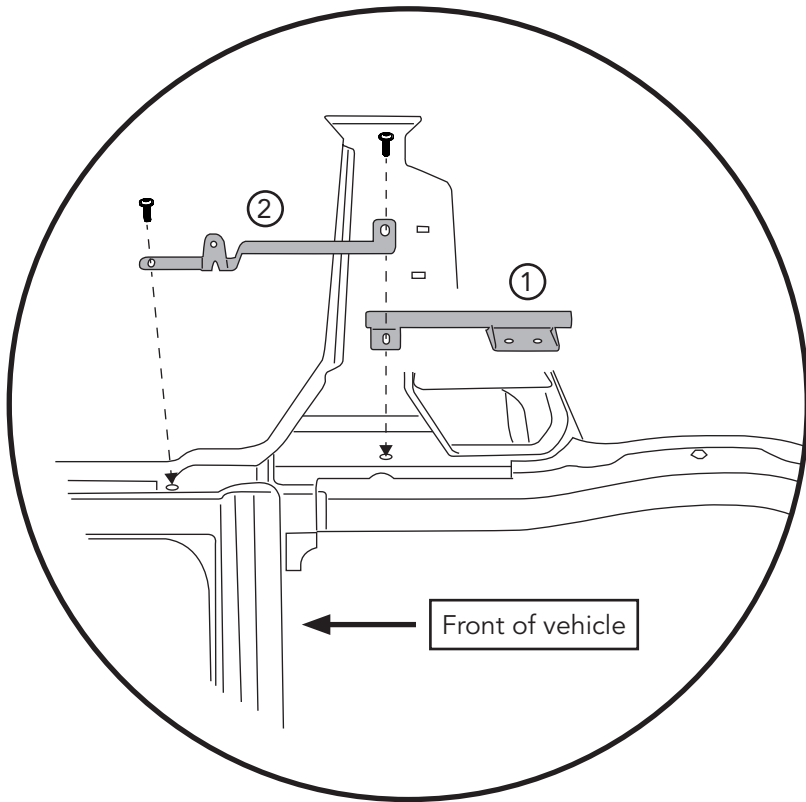
T50 Torx Driver



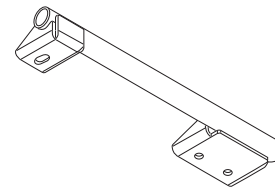
Attach the Tailgate Bar Retainers #575.38 (right) and #575.39 (left) to the Jeep Belt Rail, using one (1) M8x1.25x38 Button Head Socket Cap Screw per retainer.

Insert the screws through the retainers, and into threaded holes in the top of the Jeep belt rail, and tighten.

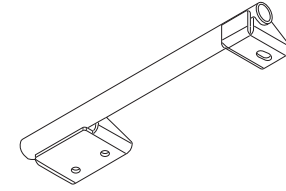




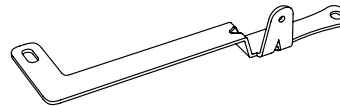
Hardware



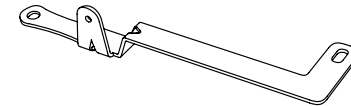
#3 Bow Mount Bracket
Part #613.66 - Right
Qty. 1



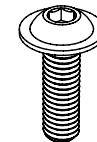
#3 Bow Mount Bracket
Part #613.67 - Left
Qty. 1



#2 Bow Mount Bracket
Part #585.46 - Right
Qty. 1



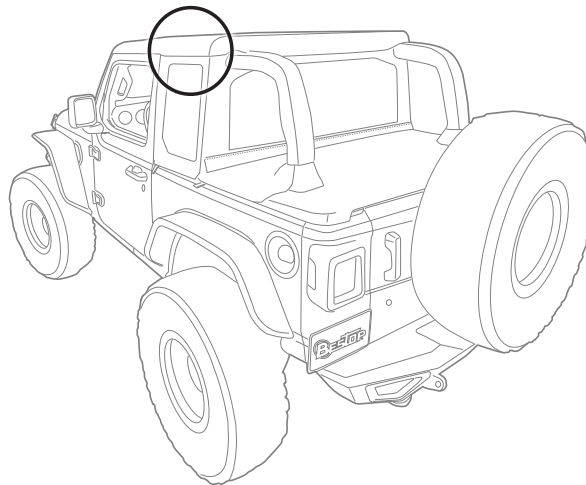
#2 Bow Mount Bracket
Part #585.47 - Left
Qty. 1



M8x1.25x20mm
Flanged Button Head
Cap Screw
#573.09
Qty. 4

- ① Place the #3 Bow Mounting Bracket in position on the vehicle.
- ② Place the #2 Bow Mounting Bracket on top of the #3 Bow Mounting Bracket then loosely install two (2) M8 x 1.25 x 20mm Flanged Head Cap Screws to hold the brackets in position.

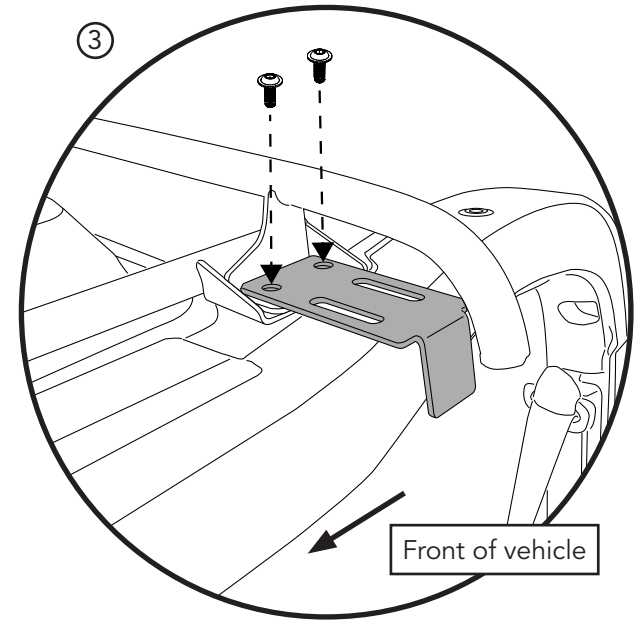
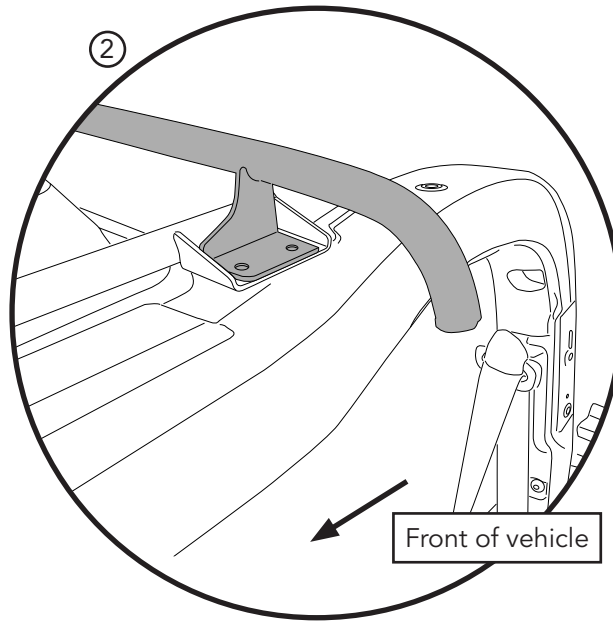
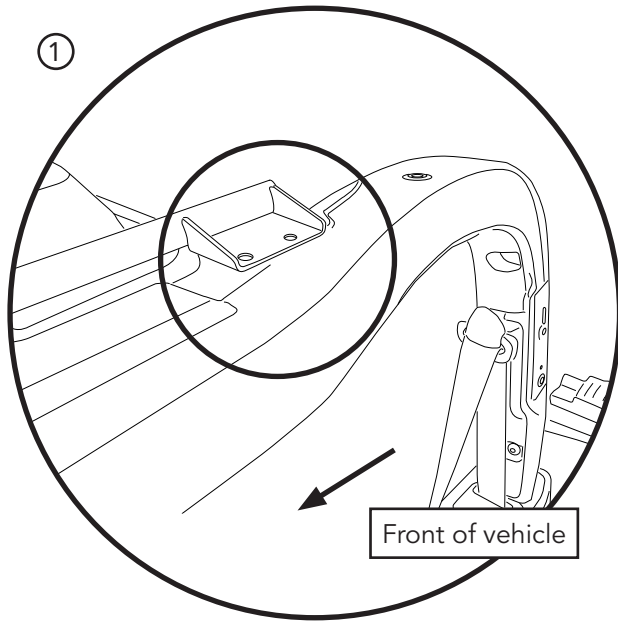
Repeat on the right side of the vehicle.



Tools



T40 Torx Driver

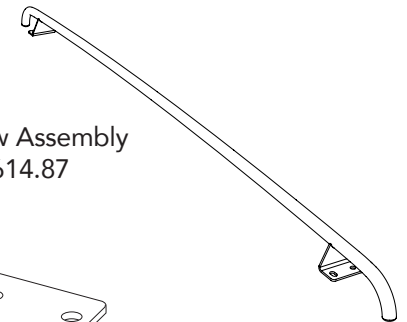


Tools

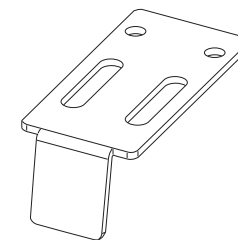


4mm Allen Wrench

Hardware



#3 Bow Assembly
Part #614.87
Qty. 1



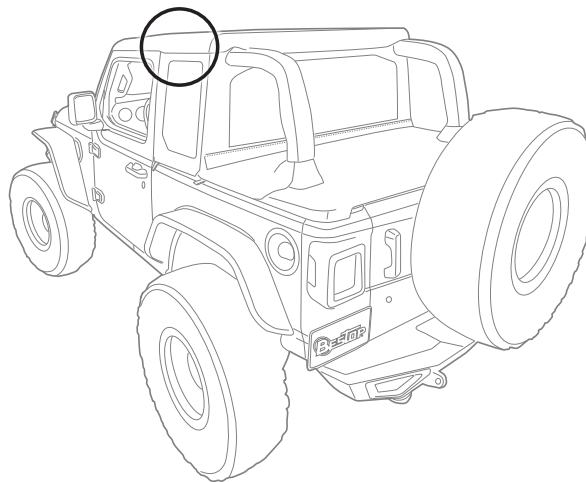
Brkt, Rear Attach
Part #611.88
Qty. 2

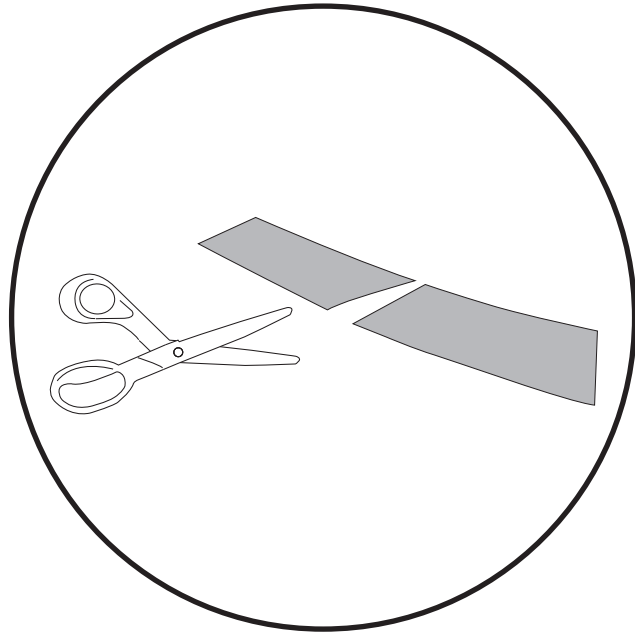


M5x0.8x12
Flanged Button
Head Cap Screw
#531.49
Qty. 4

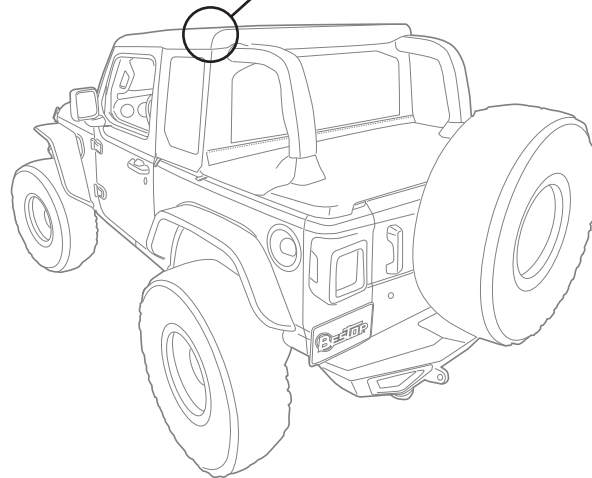
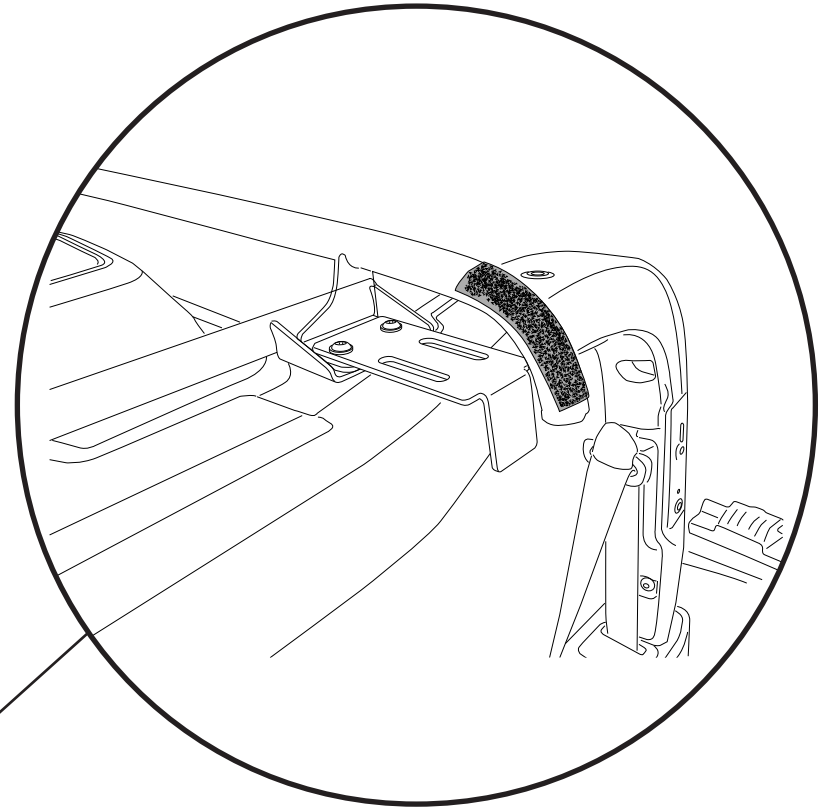
- ① Locate the #3 Bow Mounting Tab on the #3 Bow Mount Brackets.
- ② Place the #3 Bow on top of the Bow Mount Brackets. Make sure the bow is offset to the rear of the vehicle.
- ③ Place the Rear Attach Bracket on top of the #3 Bow mounting points then secure them using two (2) M5x0.8x12mm Flanged Button Head Cap Screws on each side of the Jeep.

Tighten all of the bow mounting fasteners at this time.

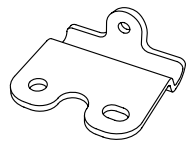
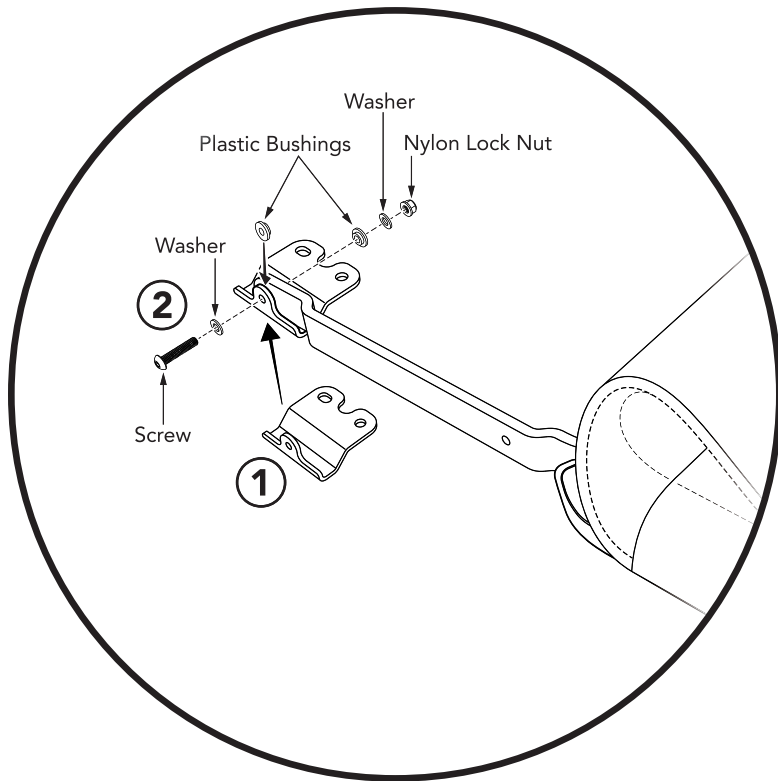




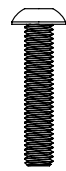
- ① Cut the 10 inch piece of Adhesive Loop into two 5 inch pieces.
- ② Peel the backing of off of the Adhesive Loop then place the velcro on the end of the #3 Bow.



Hardware



Side Bow Pivot Bracket
Part #579.96
Qty. 2



M5x0.8x25
Button Head
Socket Cap Screw
#579.60
Qty. 4



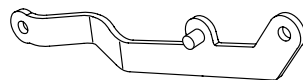
M5 Flat Washer
#565.90
Qty. 8



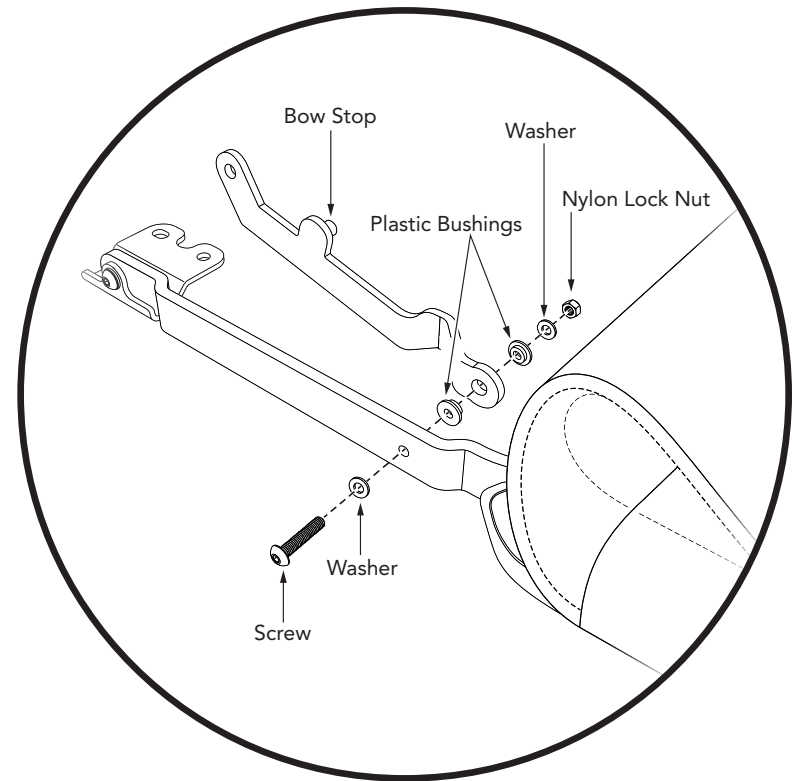
Plastic Bushing
#473.40
Qty. 8



M5 Nylon Lock Nut
#526.76
Qty. 4



#2 Bow Link Assembly
Part #578.67 - Left (shown)
Part #578.66 - Right
Qty. 1 of each



- ① Attach the Side Bow Pivot Brackets to the Side Bows on the Header/Deck Assembly.
- ② The Brackets attach to the end of each Side Bow using one (1) M5x0.8x25 Button Head Socket Cap Screw, two (2) Bushings, two (2) M5 Flat Washers and one (1) M5 Nylon Lock Nut on each Side Bow Leg. The Plastic Bushings go directly on either side of the Side Bow legs.

Tools

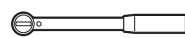


3mm Allen
Wrench



8mm
Wrench

- OR -

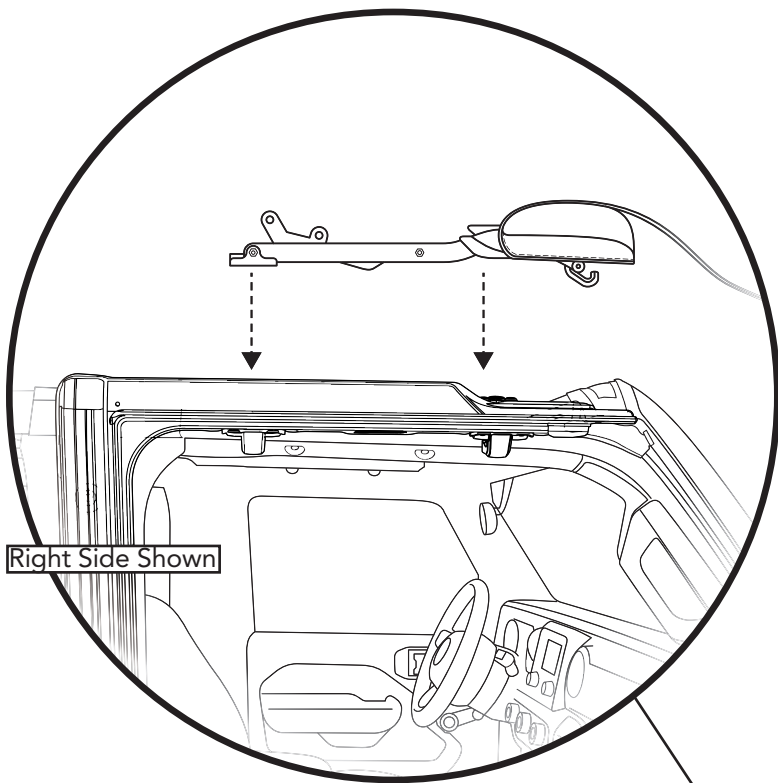


Socket
Wrench



8mm
Socket

Attach the #2 Bow Link Assemblies to the Side Bows on the Header Assembly. Make sure that the Bow Stop on each Bow Link Assembly faces out. The Bow Links attach to the end of each Side Bow leg using one (1) M5x0.8x25 Button Head Socket Cap Screw, two (2) Bushings, two (2) M5 Flat Washers and one (1) M5 Nylon Lock Nut on each Side Bow Leg. The Plastic Bushings go directly on either side of the Side Bow legs.




Right Side Shown

Place the Header and fabric on the Jeep windshield header, laying the fabric across the windshield and hood of the Jeep. Align the Pivot Bracket holes with the holes in the rear sport bar clamps on the Door Rails.

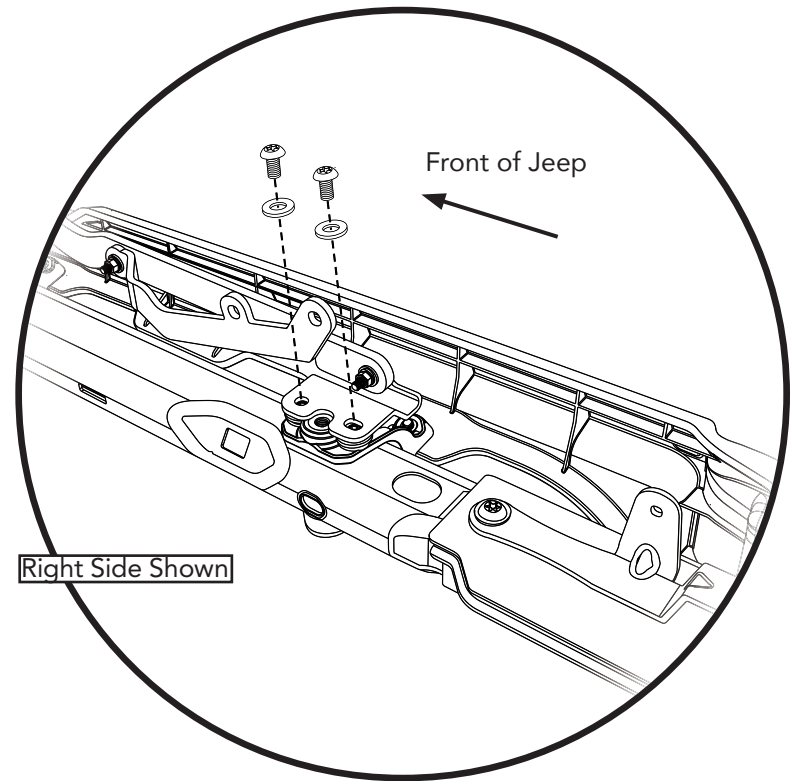
Hardware

 M6 x 15
Button Head
Socket Cap Screw
#517.63
Qty. 4

 M6 Flat Washer
#515.81
Qty. 4

Tools

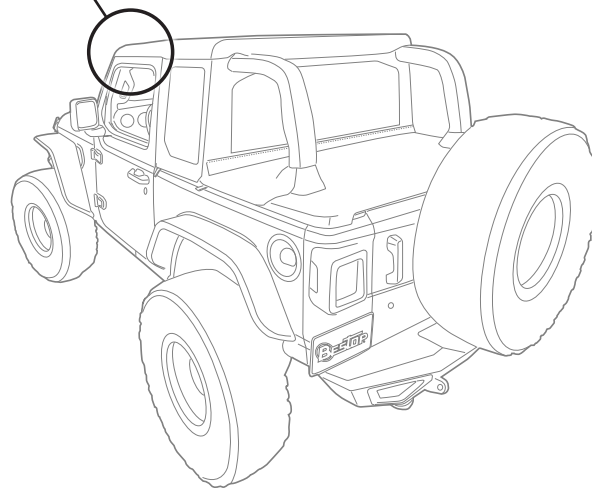
 4mm Allen
Wrench



Right Side Shown

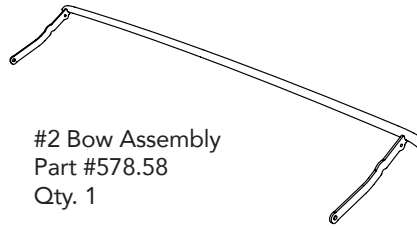
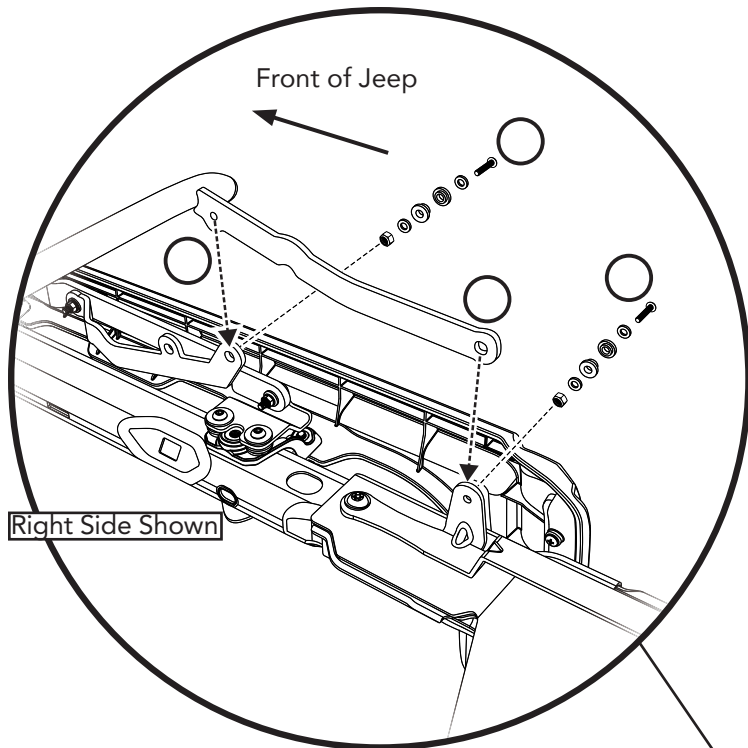
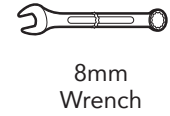
Secure the Pivot Brackets to the Door Rails using two (2) M6 x 15 Button Head Socket Cap Screws and two (2) M6 Flat Washers on each side of the vehicle.

Do not fully tighten fasteners at this time -



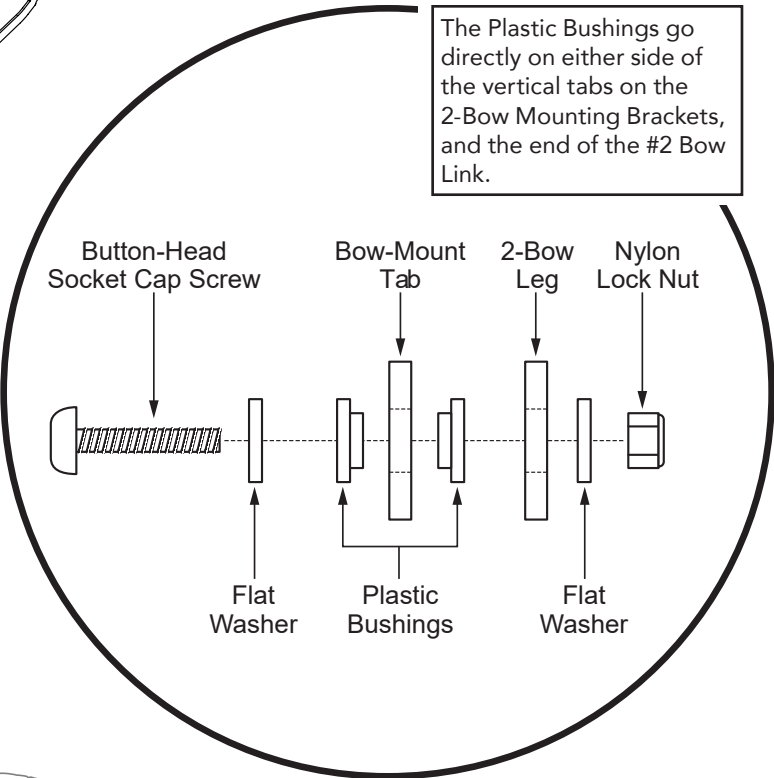
Hardware

Tools



Detail

The Plastic Bushings go directly on either side of the vertical tabs on the 2-Bow Mounting Brackets, and the end of the #2 Bow Link.



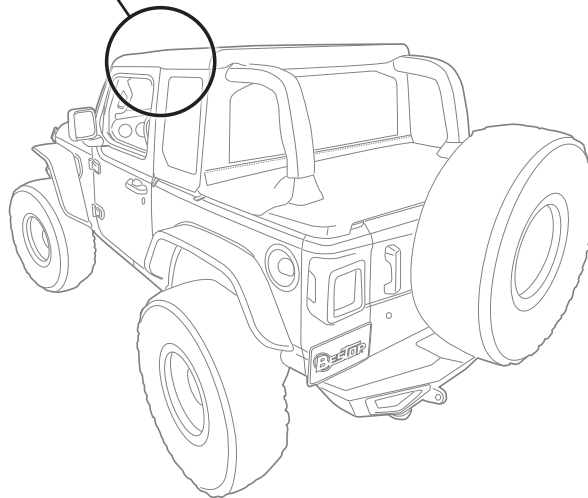
M5x0.8x25 Button Head Socket Cap Screw #579.60 Qty. 4

M5 Flat Washer #565.90 Qty. 8

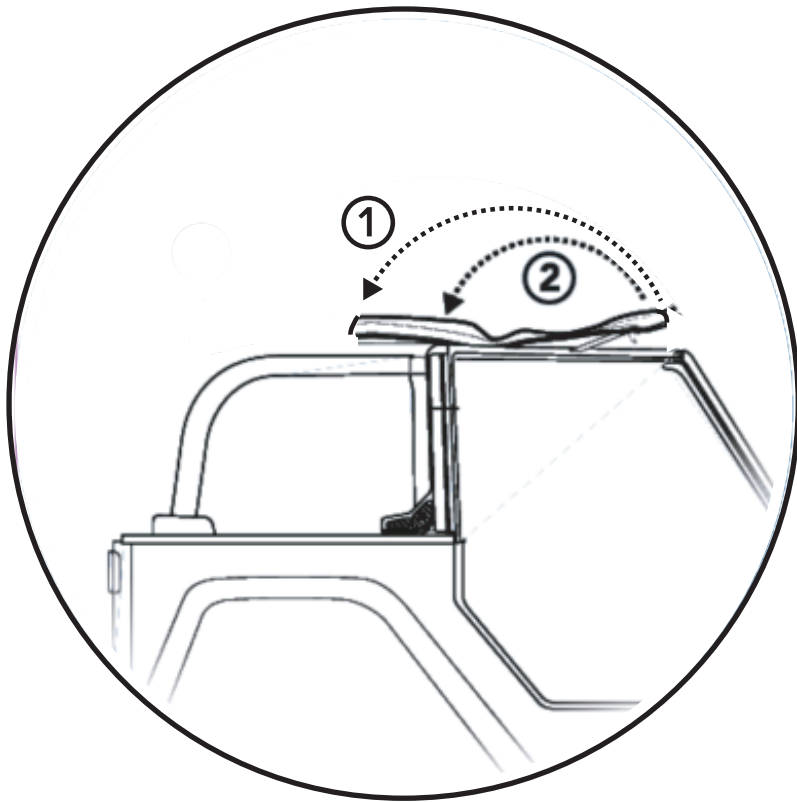
Plastic Bushing #473.40 Qty. 8

M5 Nylon Lock Nut #526.76 Qty. 4

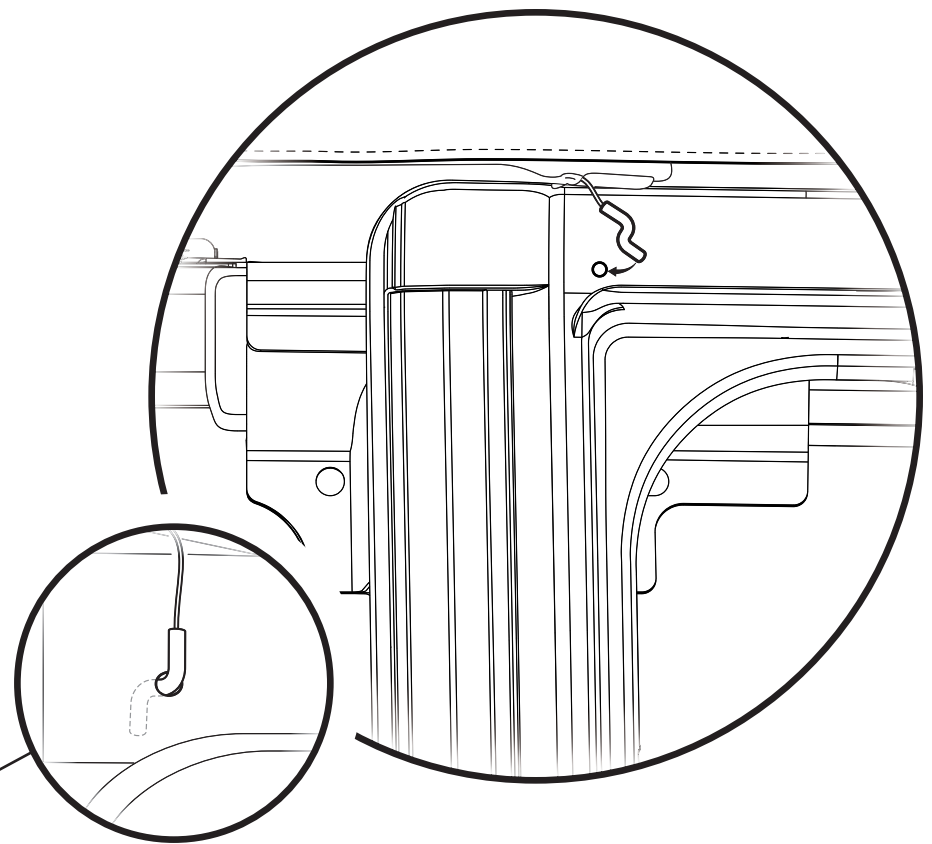
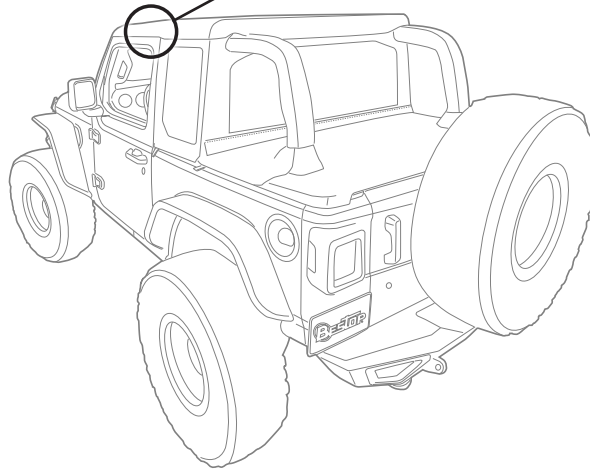
- ① Place the #2 Bow so that each Bow leg is on the inside of the #2 Bow Link Assemblies.
- ② Secure each Bow Leg to the Bow Link using one (1) M5x0.8x25 Button Head Socket Cap Screw, two (2) Bushings, two (2) M5 Flat Washers and one (1) M5 Nylon Lock Nut on each Side.
- ③ Place the end of each Bow Leg on the outside of the #2-Bow Mount Bracket vertical tabs.
- ④ Secure each Bow Leg to the Bracket using one (1) M5x0.8x25 Button Head Socket Cap Screw, two (2) Bushings, two (2) M5 Flat Washers and one (1) M5 Nylon Lock Nut on each Side. See Detail for correct fastener placement.



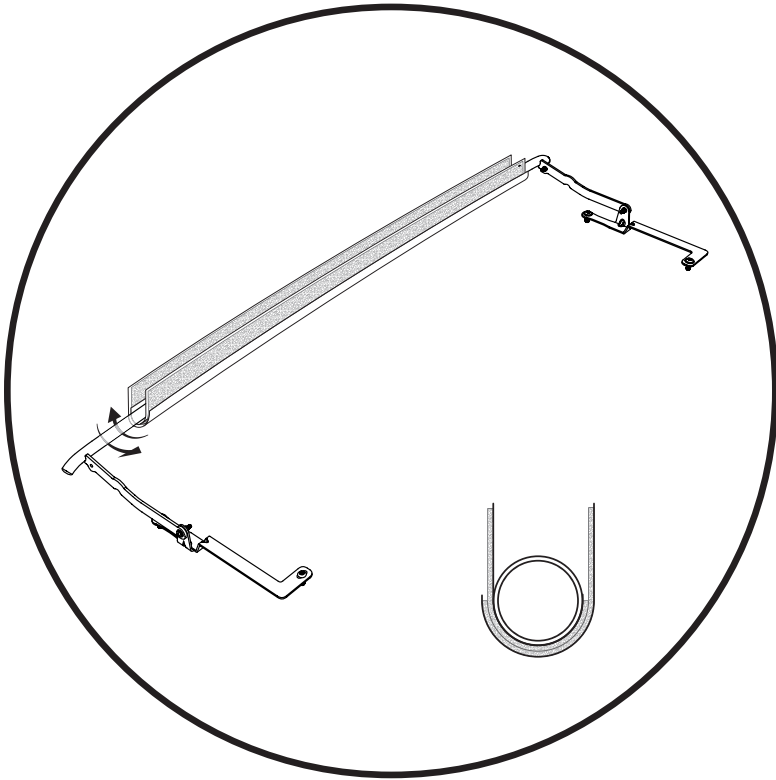
Tighten all fasteners which you have not fully tightened at this point in the installation.



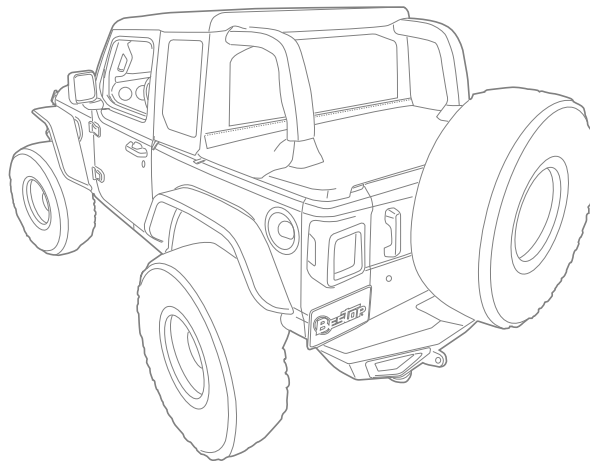
- ① Drape the Top Fabric over the top of the Jeep Sport Bars, and the #2 and #3 bows
- ② Open the Sunrider. Fold the Sunrider back from the front pivot point, resting the front portion of the top on the rear portion.



Locate the Z-Clips, which extend out from the edge of the top fabric just above the Door Rail on each side of the Jeep. Attach the Z-Clips to the Door Rails by inserting the end of the clip into the hole in each Door Rail.



Locate the two fabric flaps sewn to the inside of the fabric top just above the #2 Bow. Wrap these flaps around the #2 Bow so that the Hook side of one flap attaches to the Loop side of the other flap.



Vehicles with Latch Tabs

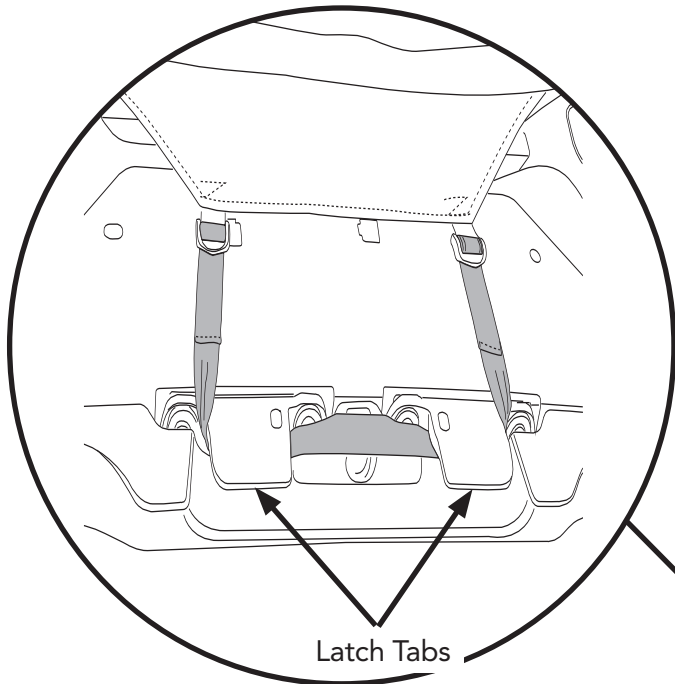
Parts



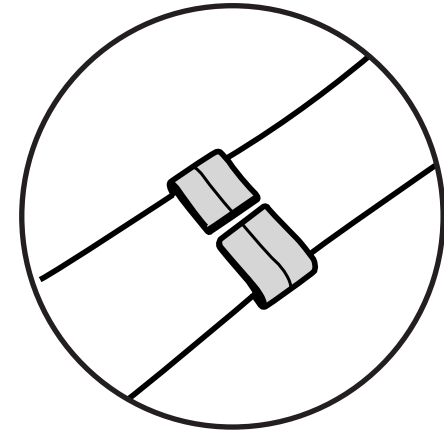
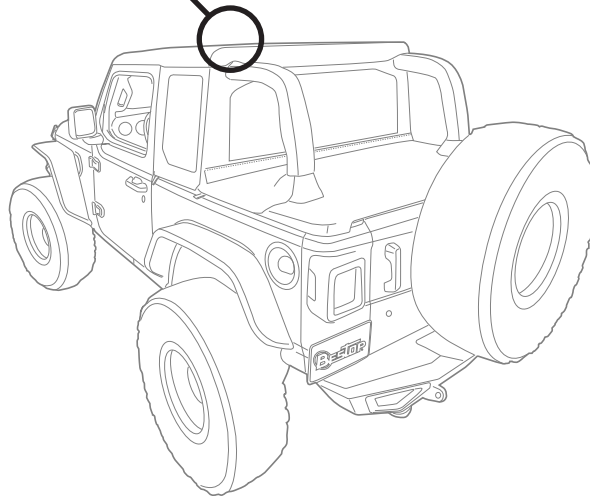
30 inch Nylon Strap
Part #629.63
Qty. 1



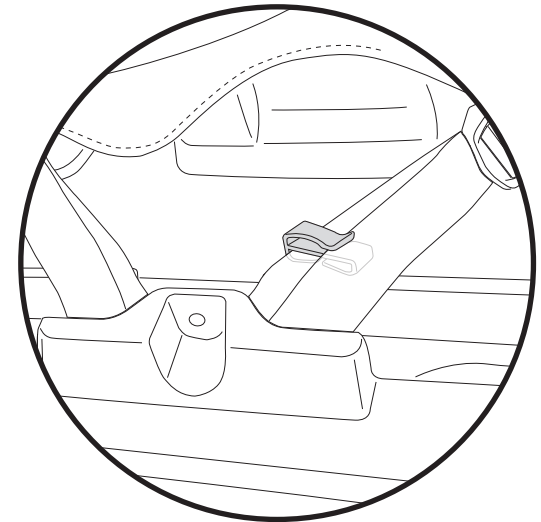
Strap Clip
#338.24
Qty. 2



Loosely thread the 30 inch Nylon Strap through the two buckles on the center flap (Located on the inside of the main top)
Locate the two tabs that the rear latches of the Freedom Panels latch to. Wrap the 30 inch Nylon Strap underneath the tabs then pull the strap (at the buckles) until snug.



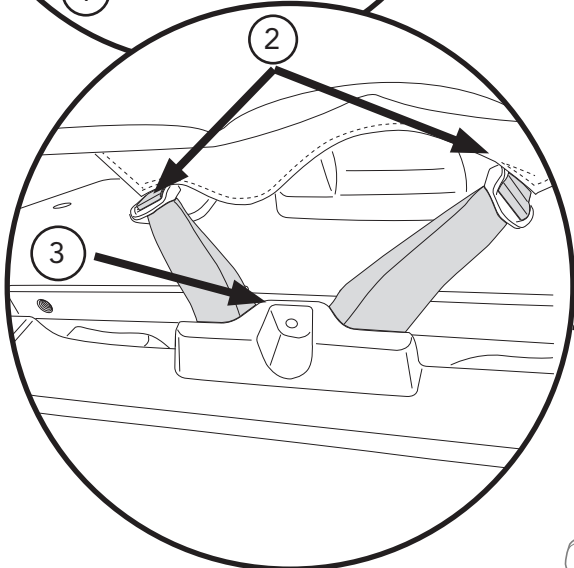
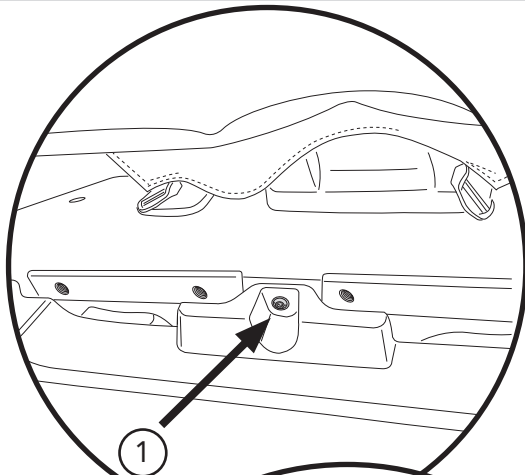
Place the lower strap between the two tabs on the lower side of the clip.



Place the upper strap into the single tab on the top of the clip.

Repeat on the other side of the strap.

Vehicles without Latch Tabs



- ① Remove screw from center of plastic trim piece.
- ② Thread the Strap into the buckles on the Center Flap.
- ③ Pull back on plastic enough to slide the strap down below the hole for the screw.

Replace the screw.

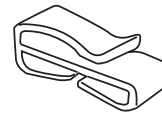
Tools



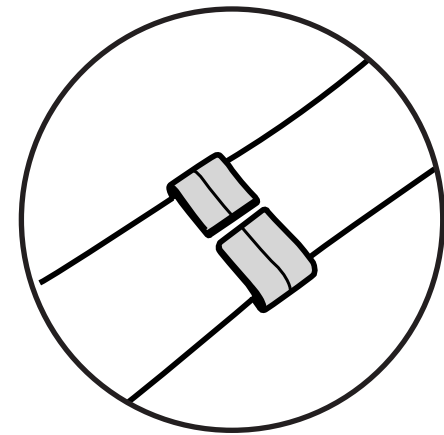
Parts



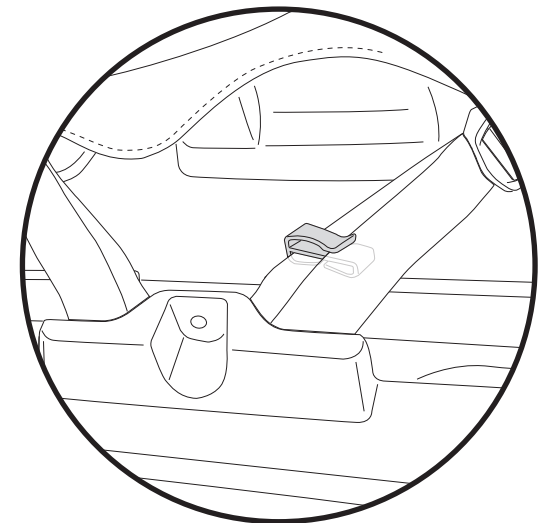
30 inch Nylon Strap
Part #629.63
Qty. 1



Strap Clip
#338.24
Qty. 2

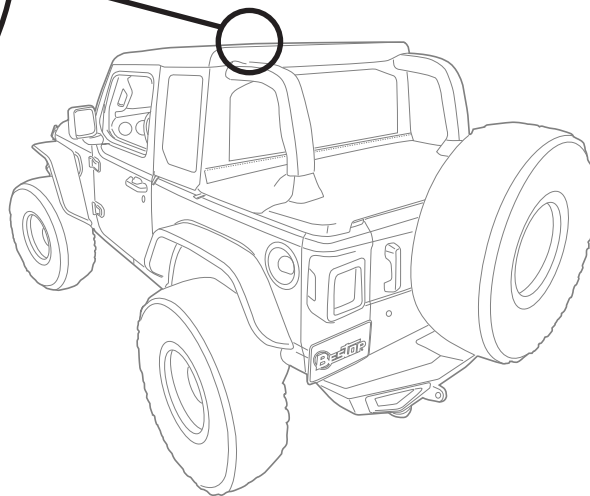


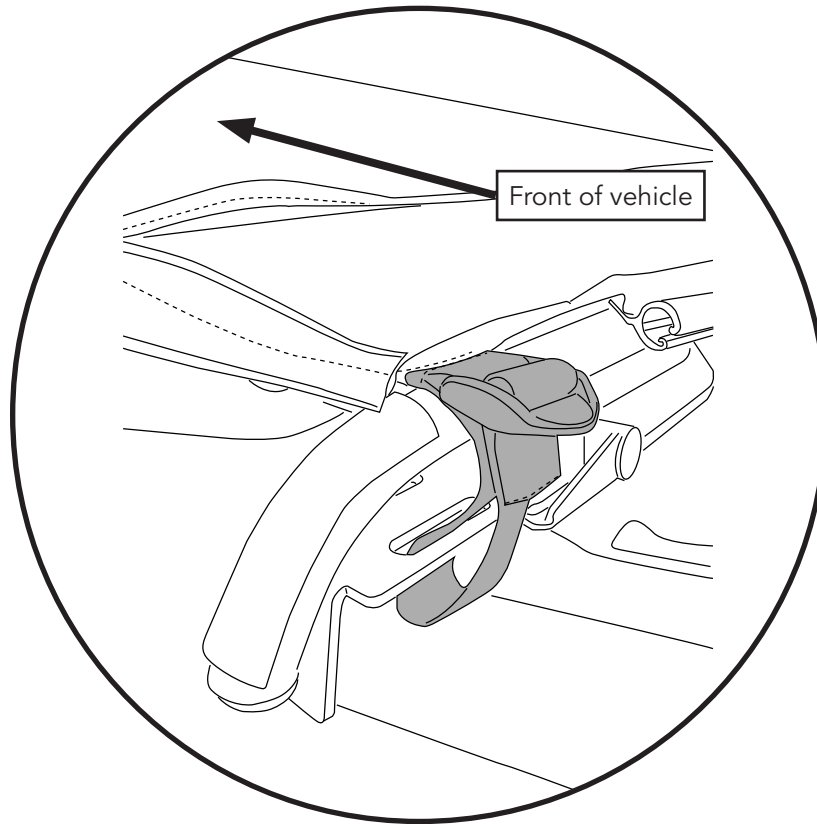
Place the lower strap between the two tabs on the lower side of the clip.



Place the upper strap into the single tab on the top of the clip.

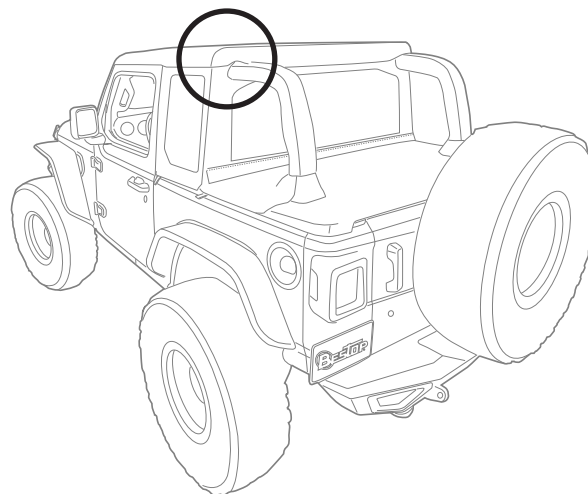
Repeat on the other side of the strap.

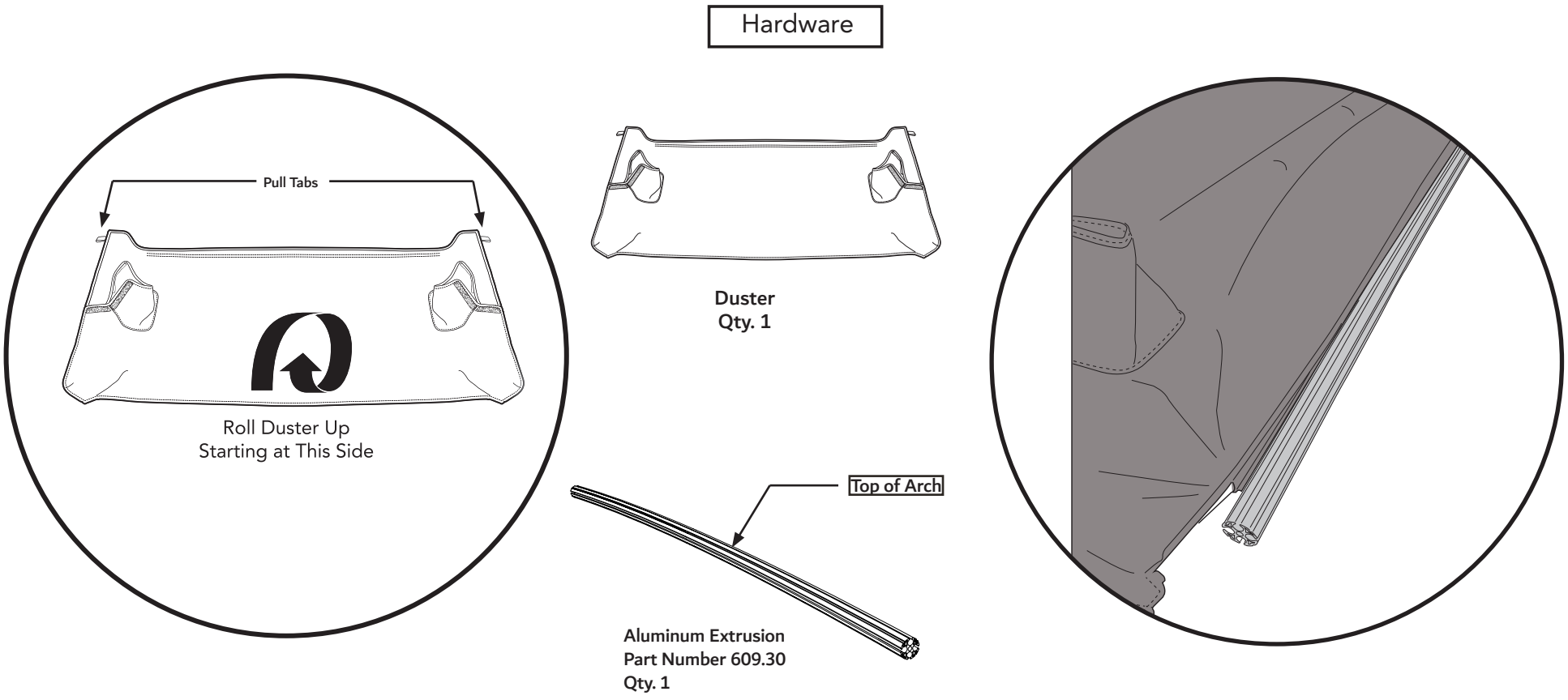




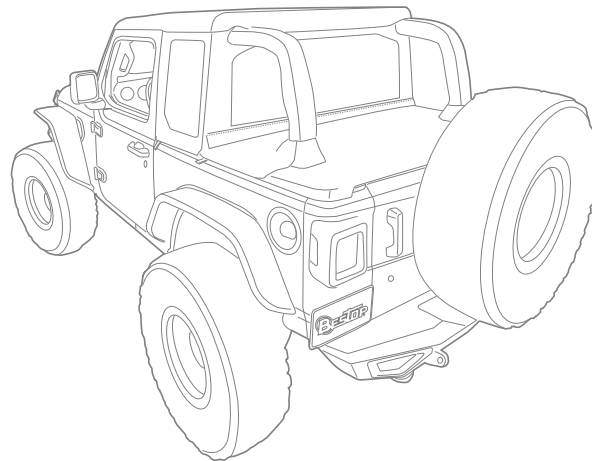
Pull the Strap located on the rear corner of the Top over the top of the #3 Bow. Thread the strap through the slot on the Rear Attach Bracket then up through the Buckle. Leave loose at this time.

Repeat on the Right side of the vehicle.



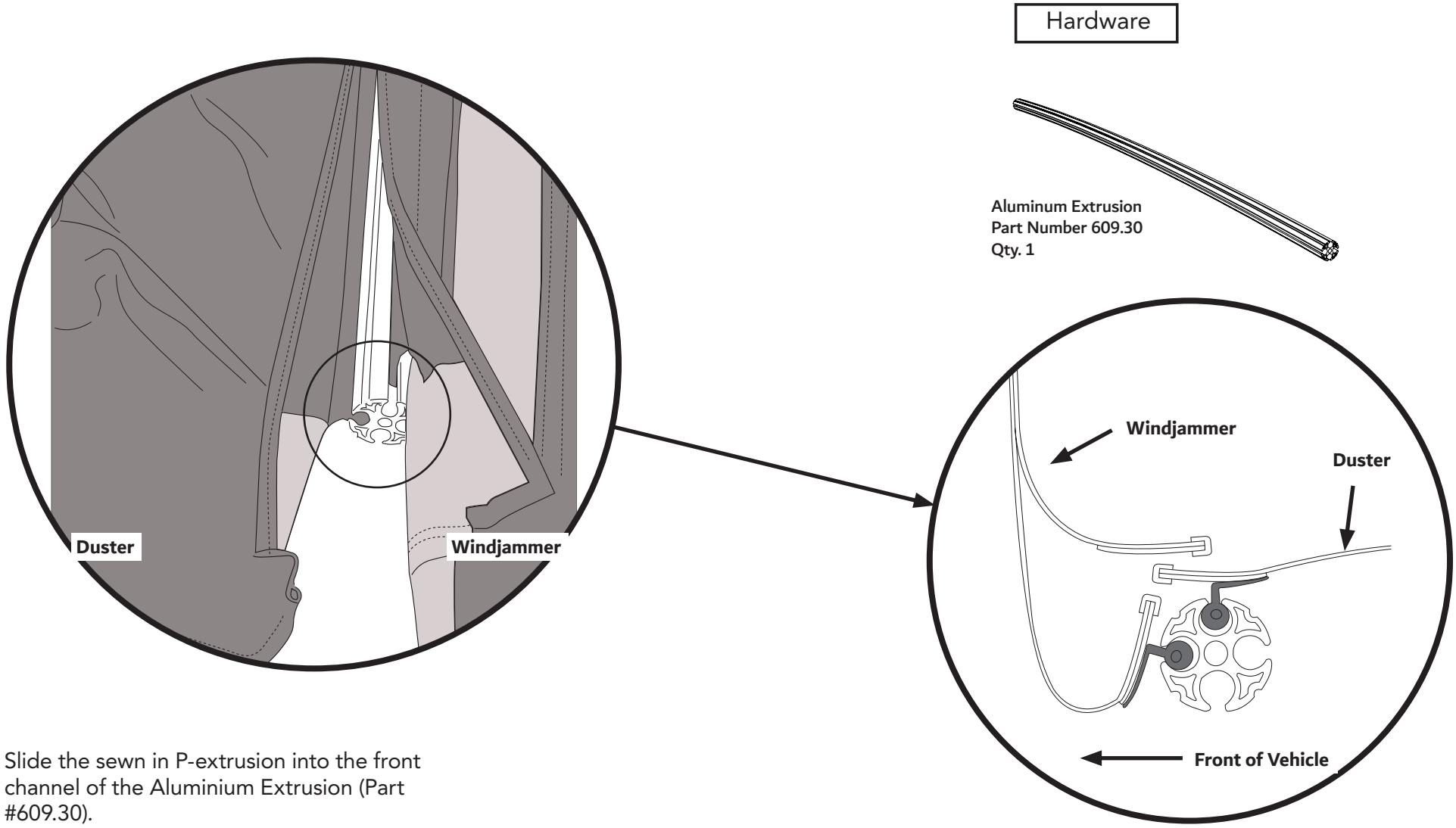


Starting on the side of the duster without the pull tabs, roll the Duster up loosely. The side of the Duster with the pull tabs is the front edge.

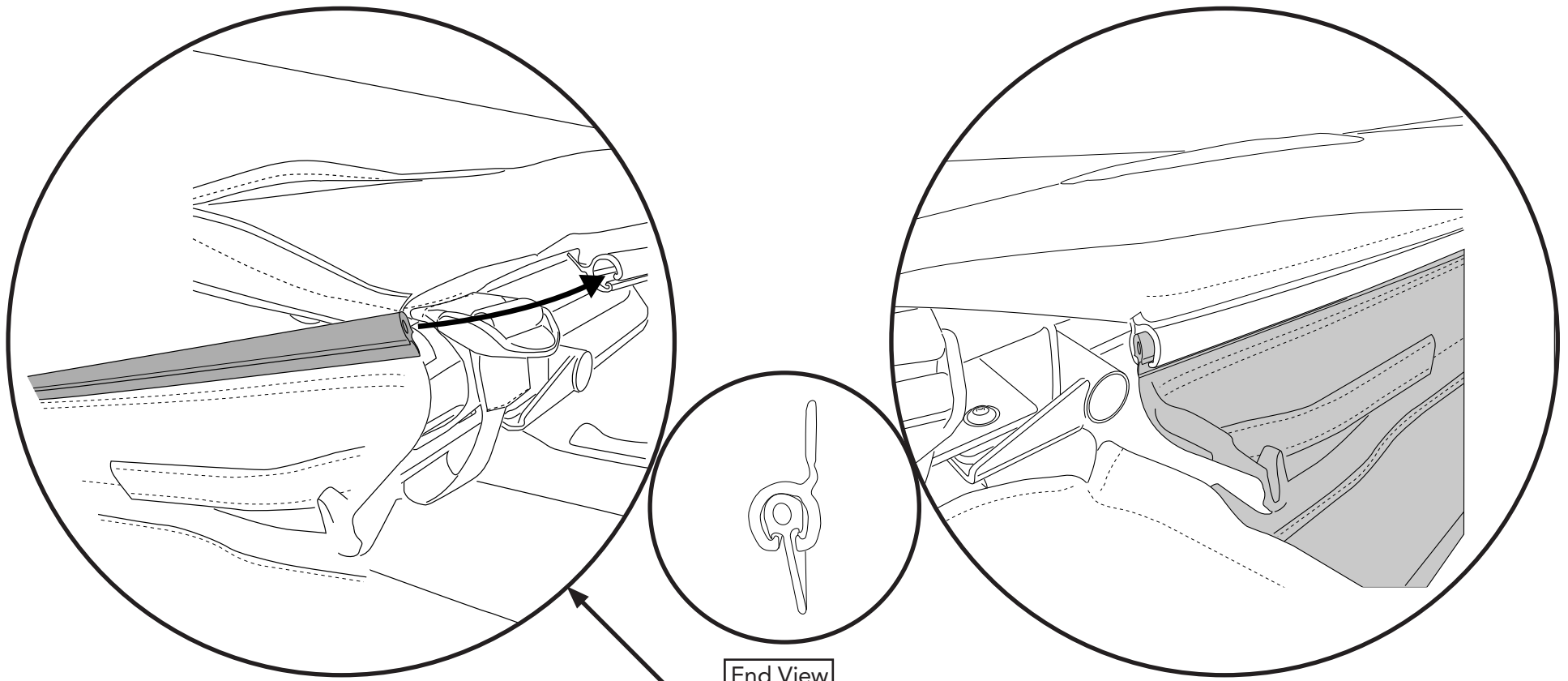


With the Duster loosely rolled up, slide the P-Extrusion along the exposed front edge of the Duster into the top slot of the Extruded Aluminum Bow, using the slot in the Bow that is on top of the arch and facing up.

NOTE: Aluminium Extrusion has arch. The Duster should be in the top part of the arch.

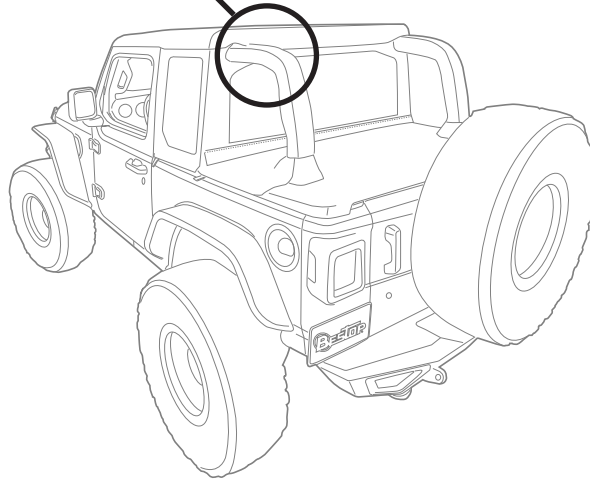


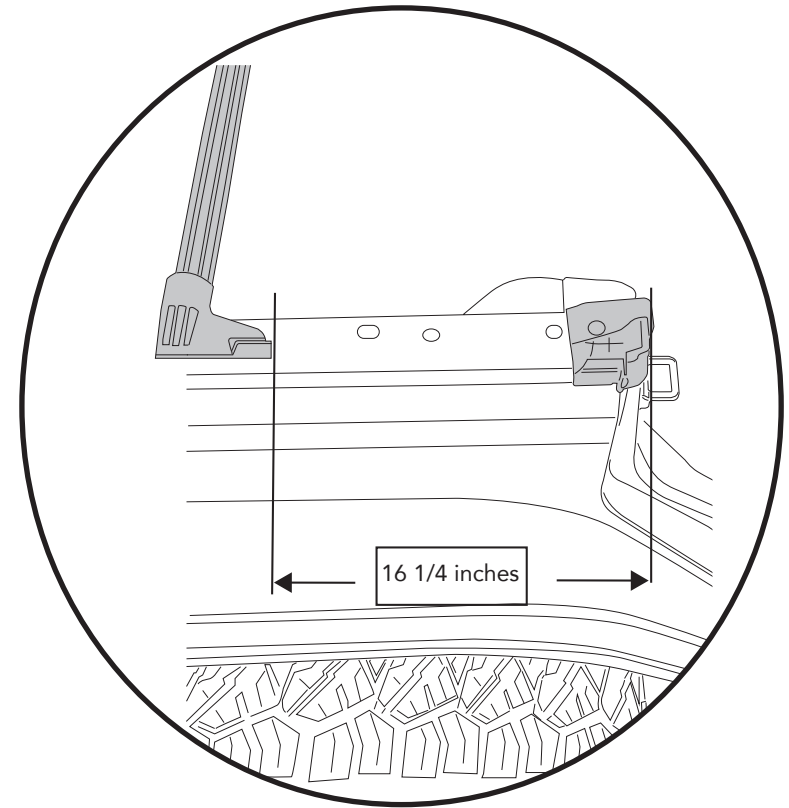
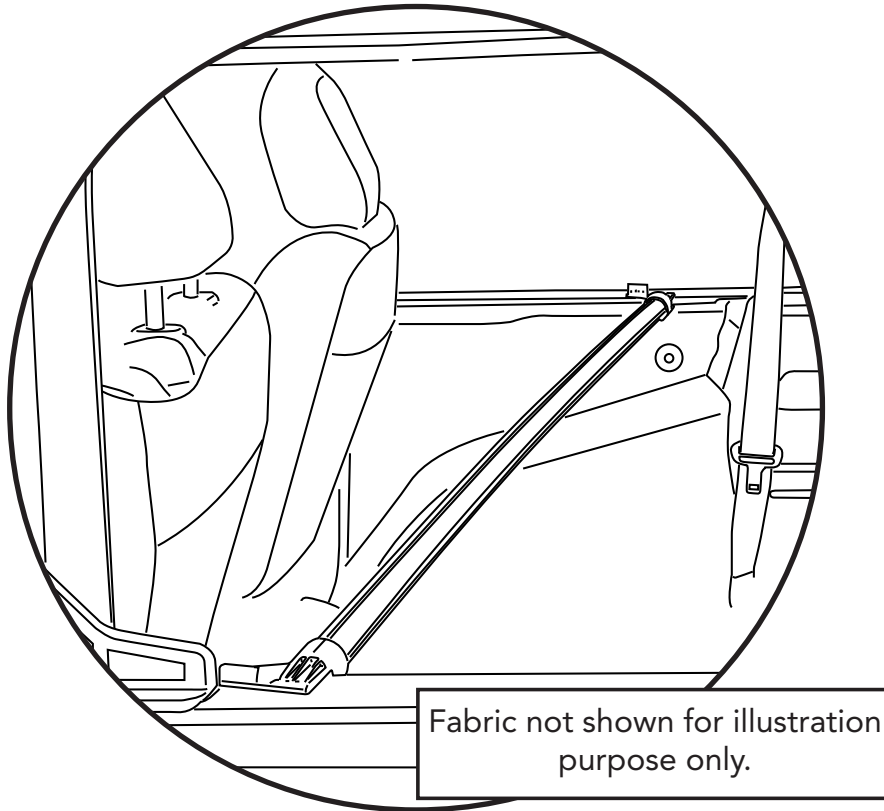
Slide the sewn in P-extrusion into the front channel of the Aluminium Extrusion (Part #609.30).



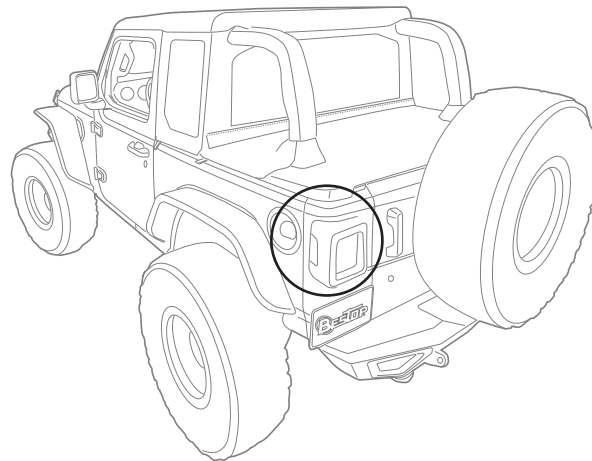
End View

Slide the soft extrusion (On Top of the Windjammer) into the plastic "C" channel (Located on the top) until the windjammer is centered in the "C" Channel.

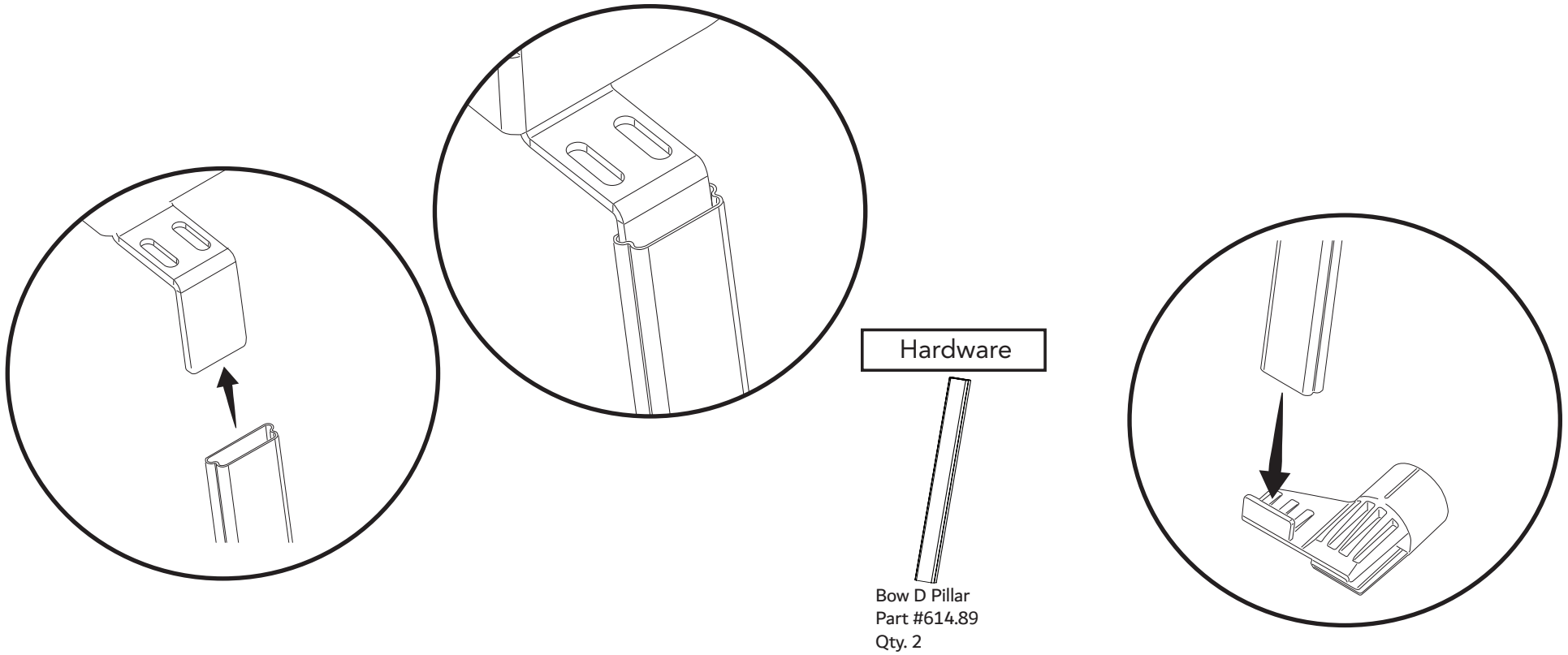




Fold the rear seat down. (Refer to Owners Manual)
 Set End Cap as far rearward on the passenger side then set the other end cap as far forward as possible on the Driver side.



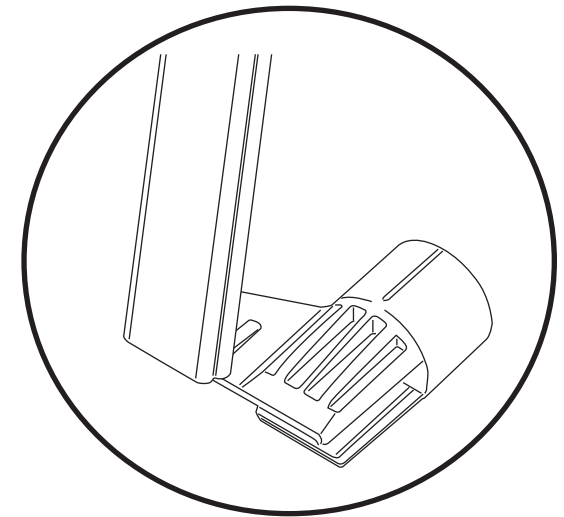
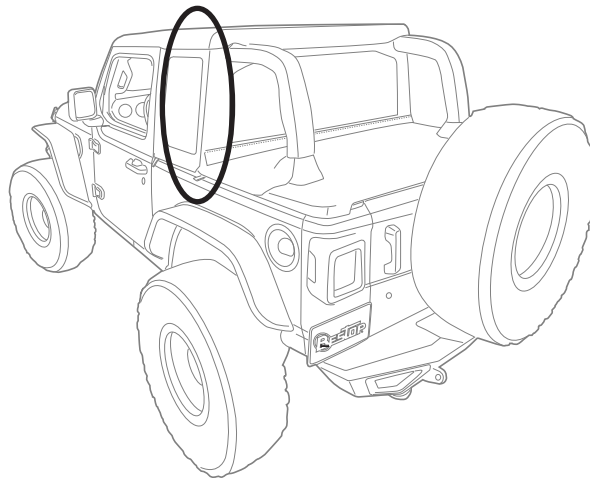
Slide the Bow End Rearward (Driver Side) and Forward (Passenger Side) until you reach the 16 1/4 inch dimension from the front of the Extrusion to the front edge of the Rubber Seal at the top and rear of the door opening.

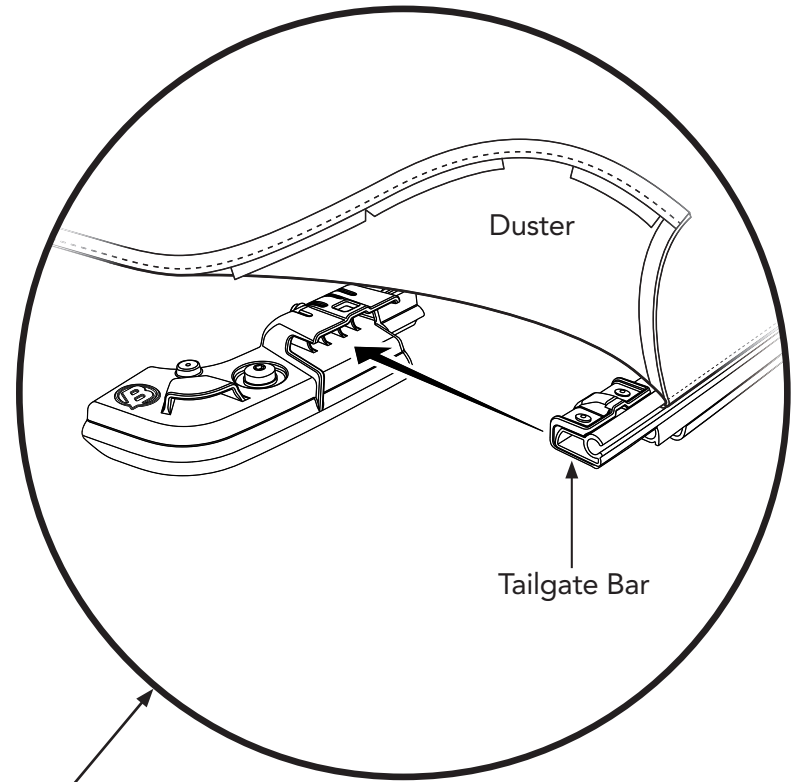
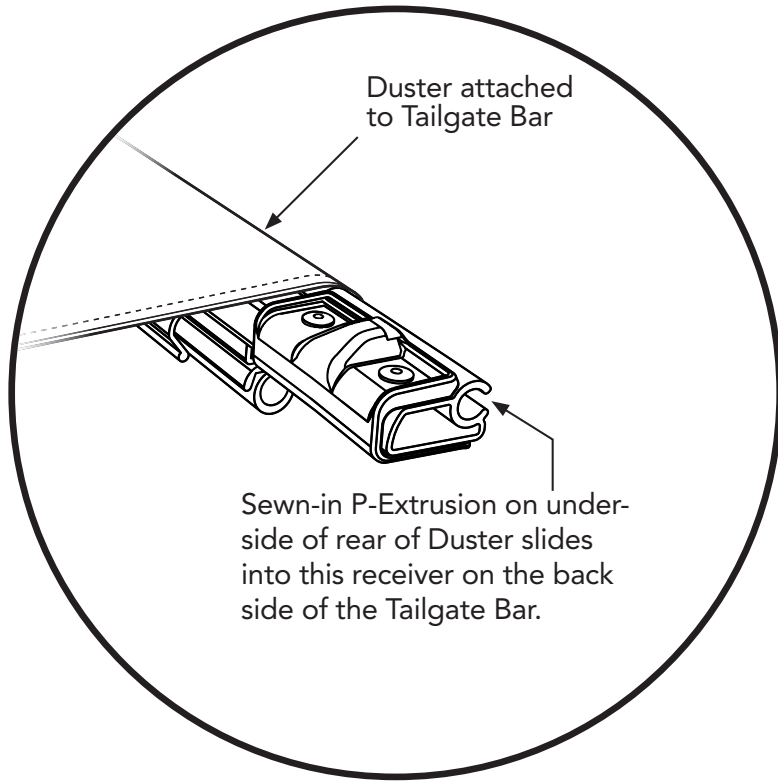


Insert the top of the D Pillar Bow onto the Bow Support Bracket and push it all of the way up.

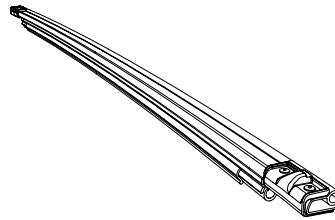
Align the D Pillar Bow with the tab on the End Cap then pull the D Pillar bow down onto the tab.

Repeat the steps on the passenger side of the vehicle.

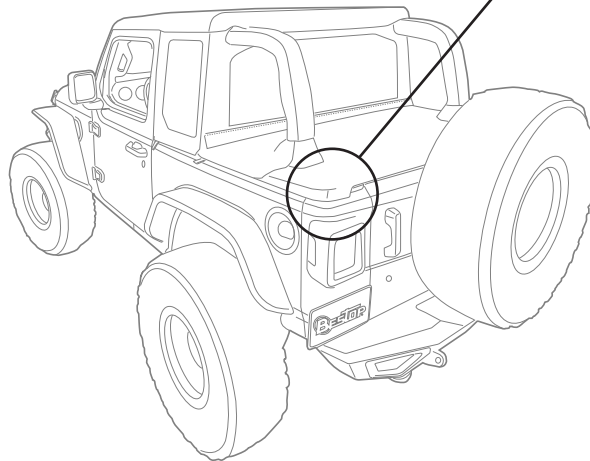




Hardware

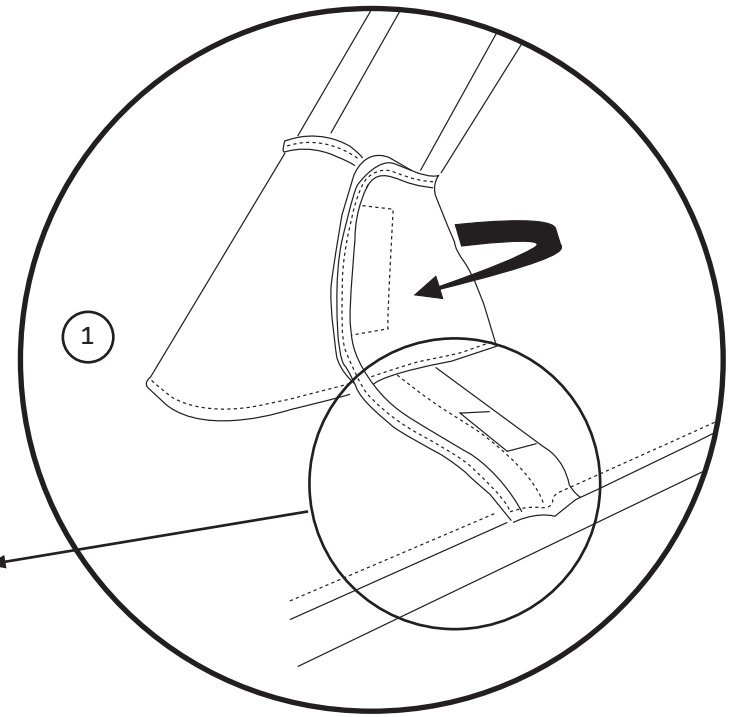
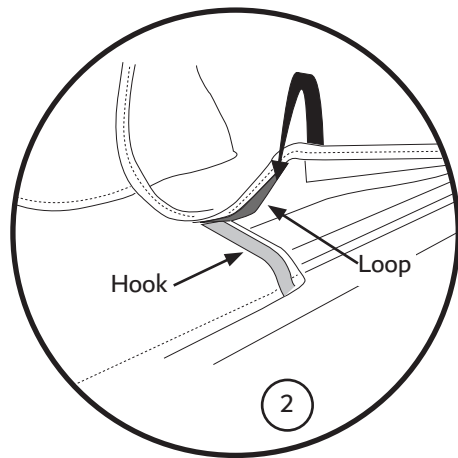
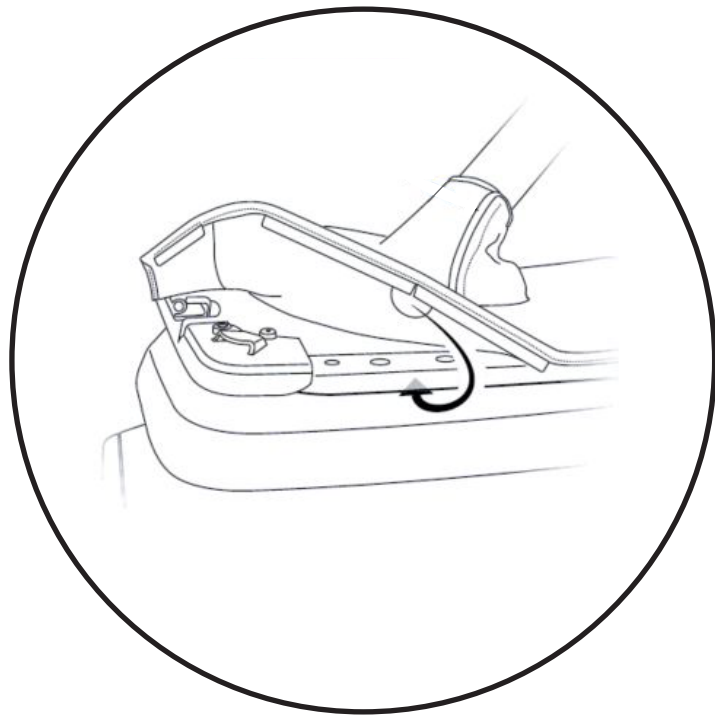


Attach the Tailgate Bar to the sewn-in P-Extrusion rail on the underside of the rear of the Duster. Slide the Tailgate Bar all the way across.



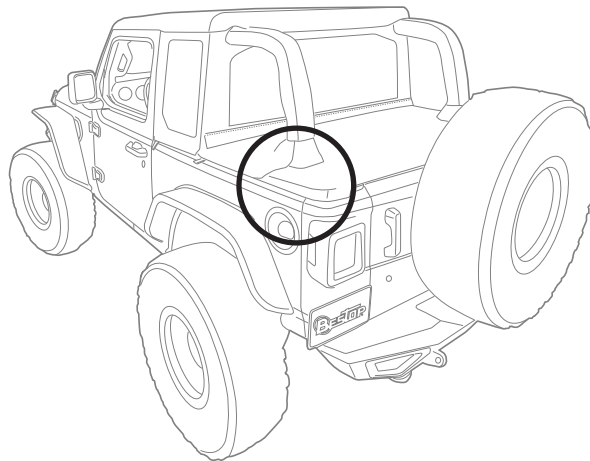
Secure the Tailgate Bar with attached Duster to the Tailgate Bar Retainers. Press the Tailgate Bar into the receiver on each Tailgate Bar Retainer.

NOTE: The bulb seal on the Tailgate bar must hang below the bar and face rearward for the tailgate to touch it.

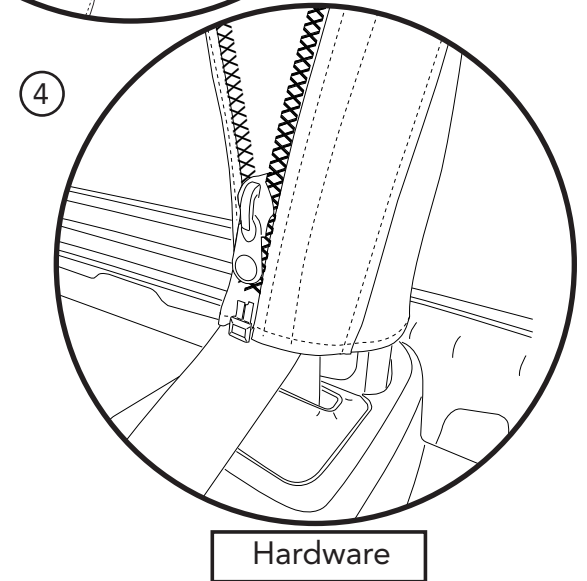
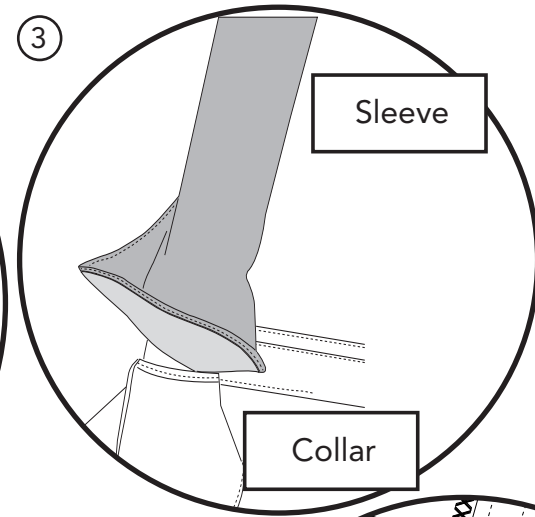
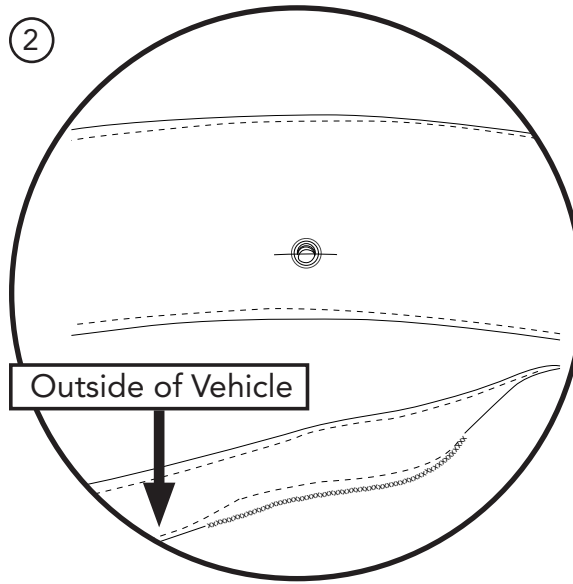
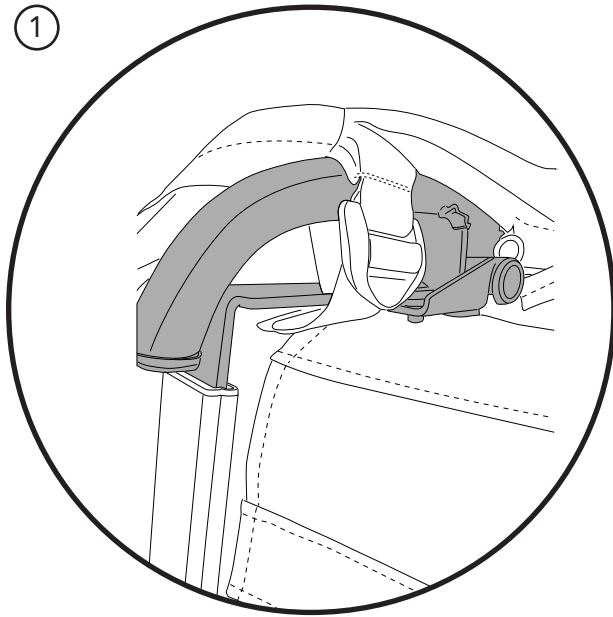


Tuck the plastic tabs along the left and right edges of the Duster underneath the Jeep belt rail, working from back to front. Make sure to tuck the straight tabs as well as the semi-circular tabs under the belt rail.

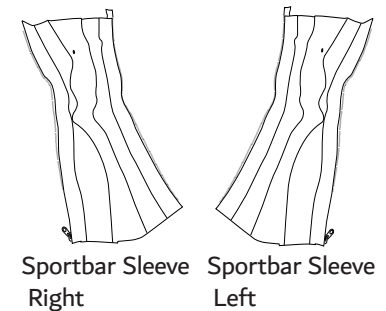
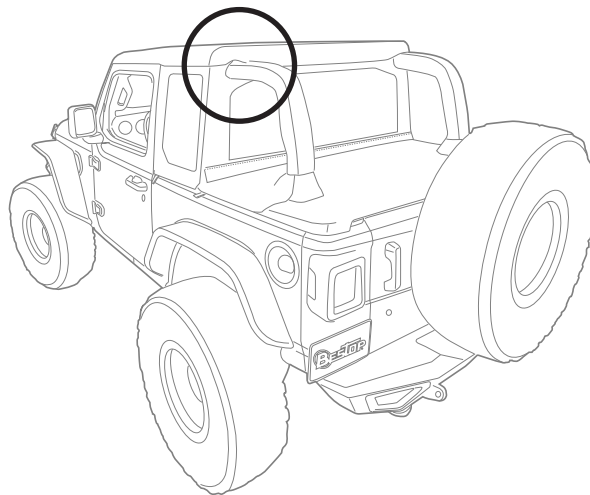
Tuck the plastic tabs at the rear corners under the belt rail. Next, Tuck all side plastic tabs under the belt rail, from back to front.

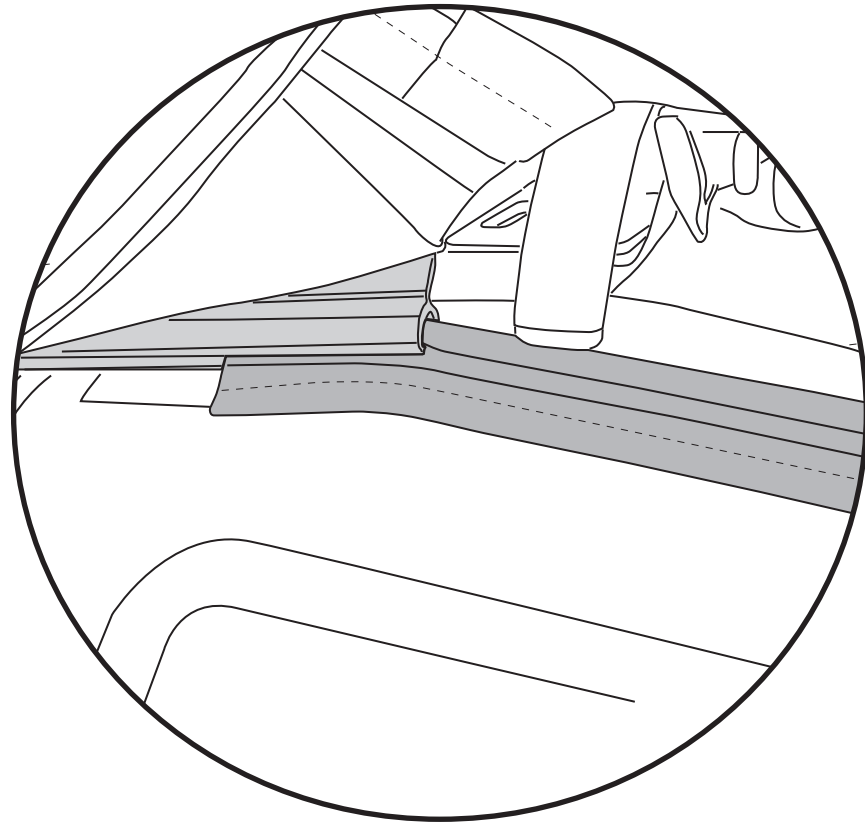
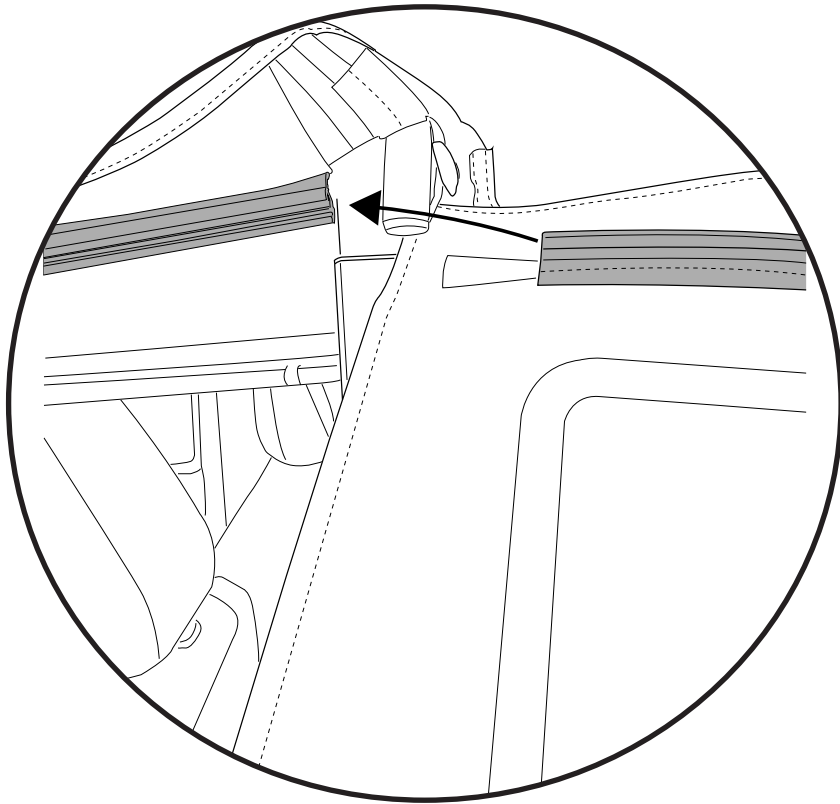


- ① Wrap the hook-&-loop sleeves around the sport bar downtubes, and attach hook-&-loop strips together snugly.
- ② Press the Hook and Loop together along the side of the Duster cover

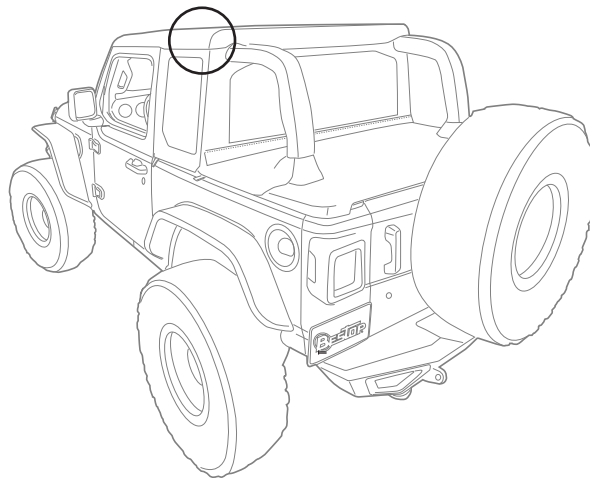


- ① Lift the #3 Bow slightly then push the Sportbar Sleeve between the sportbar and the #3 Bow.
- ② Align the slit in the Sleeve with the Nut insert in the top of the sport bar.
- ③ Wrap the Sportbar Sleeve around the Sportbar and let the bottom of the Sportbar Sleeve over the collar located on the Duster.
- ④ Start the zipper from the bottom (By Collar).

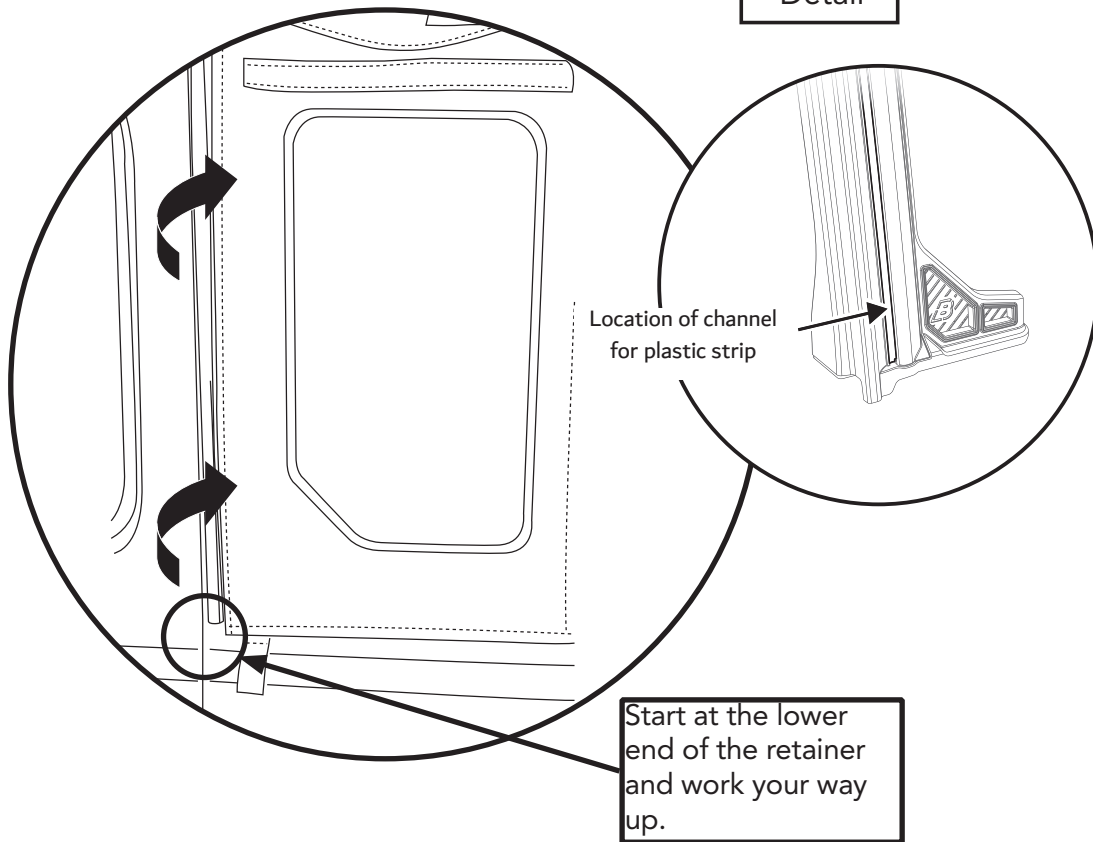




Slide the soft extrusion (On Top of the Side Panel) into the plastic "C" channel (Located on the top Side).

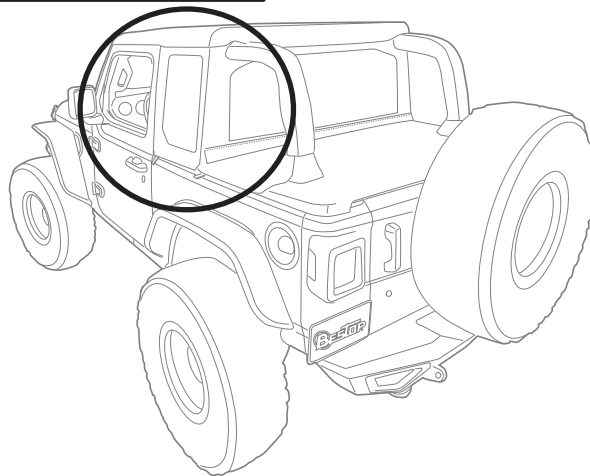


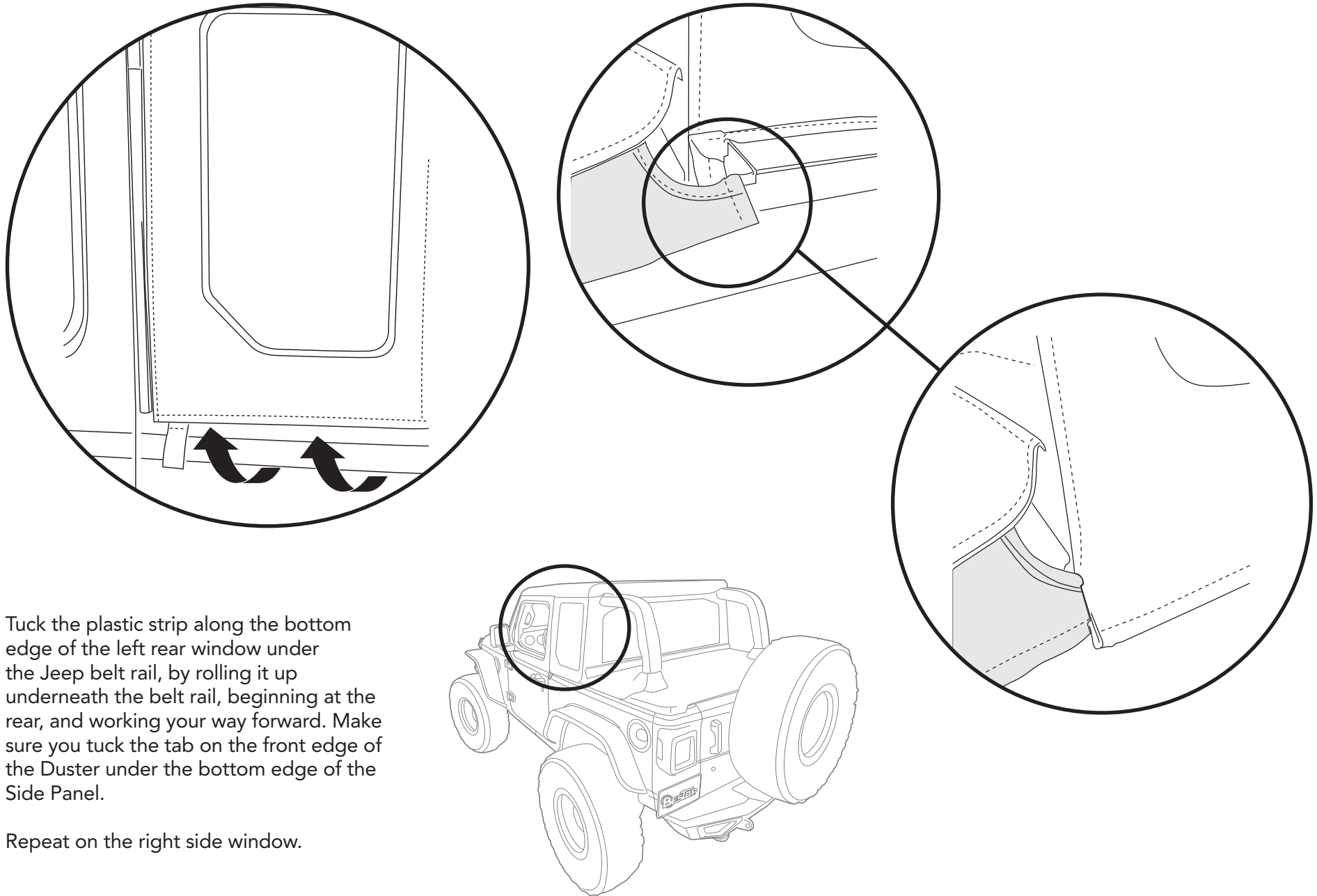
Detail



Locate the the sewn-in plastic strip along the front edge of the left side window. Tuck this plastic strip into the vertical channel along the outside face of the left Rear Door Rail.

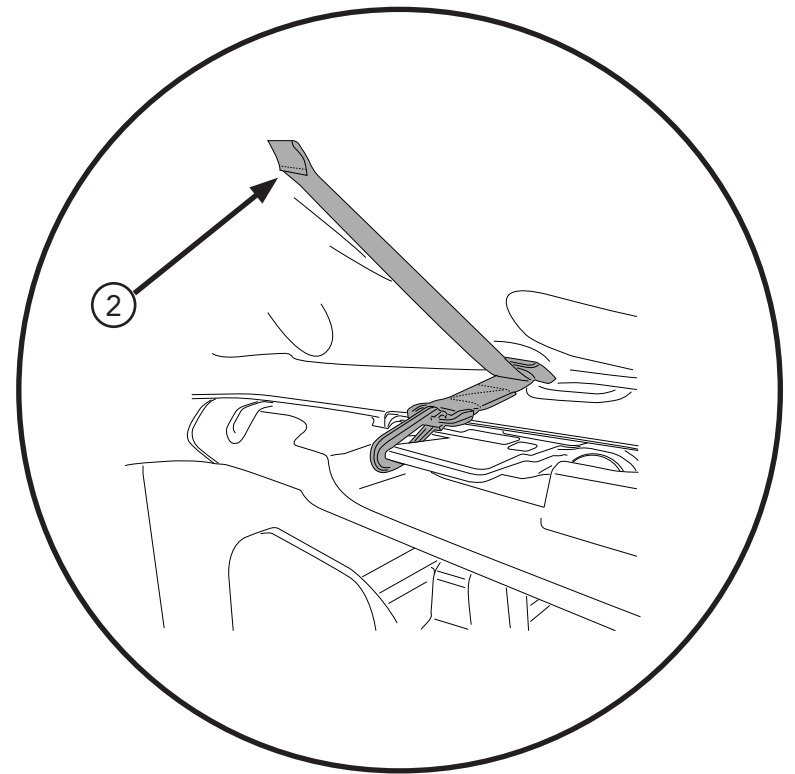
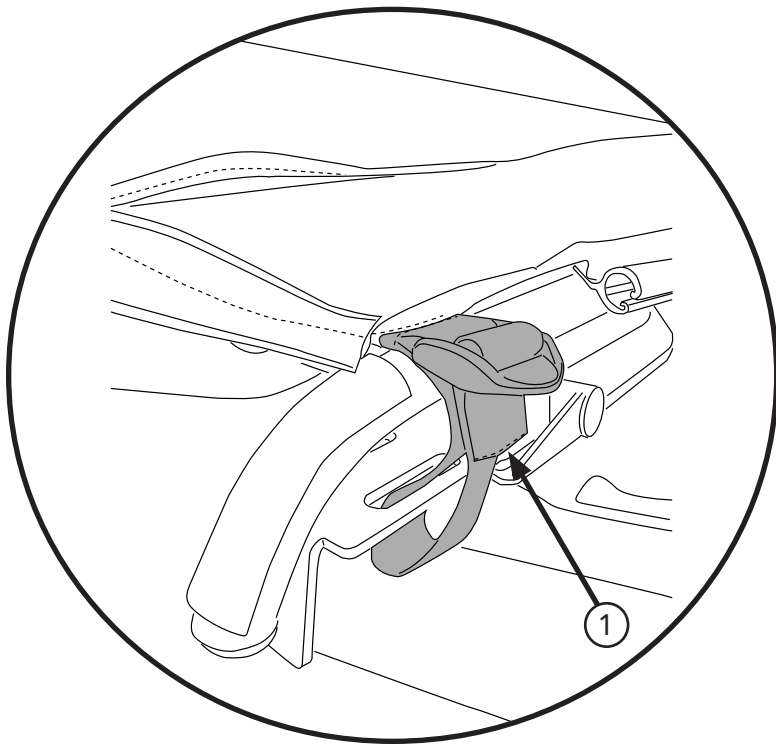
See Detail for location of the correct channel.



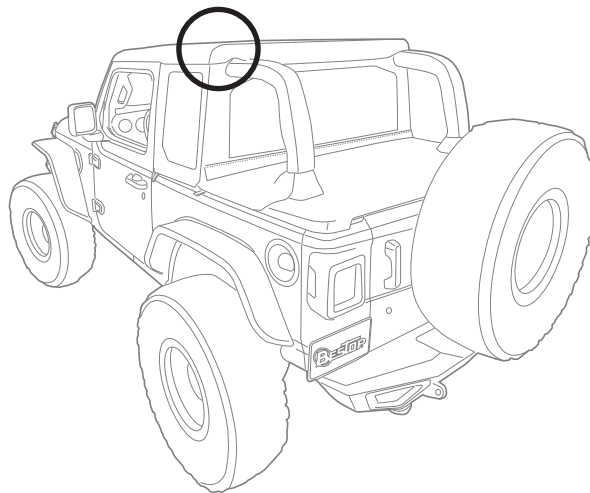


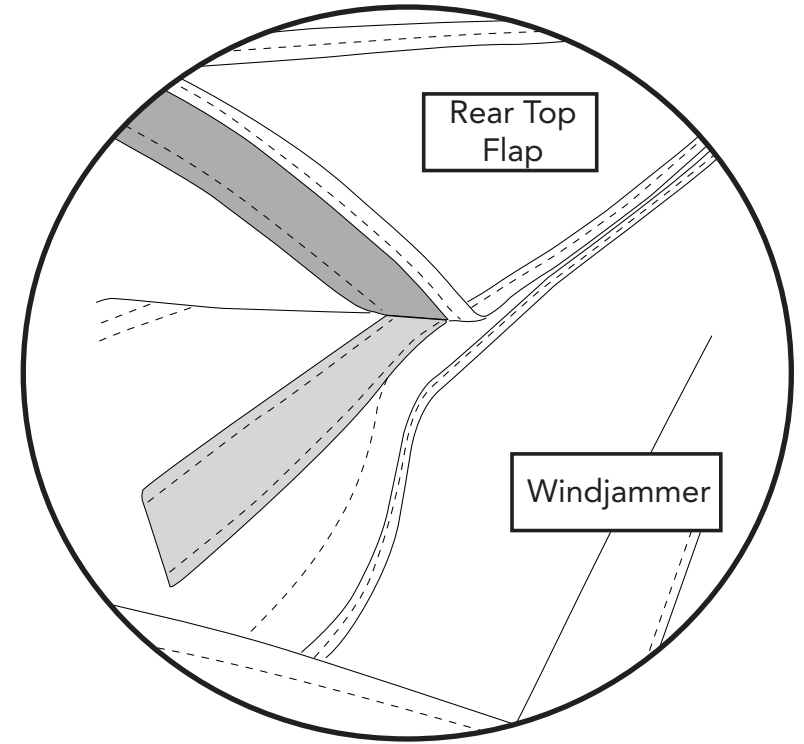
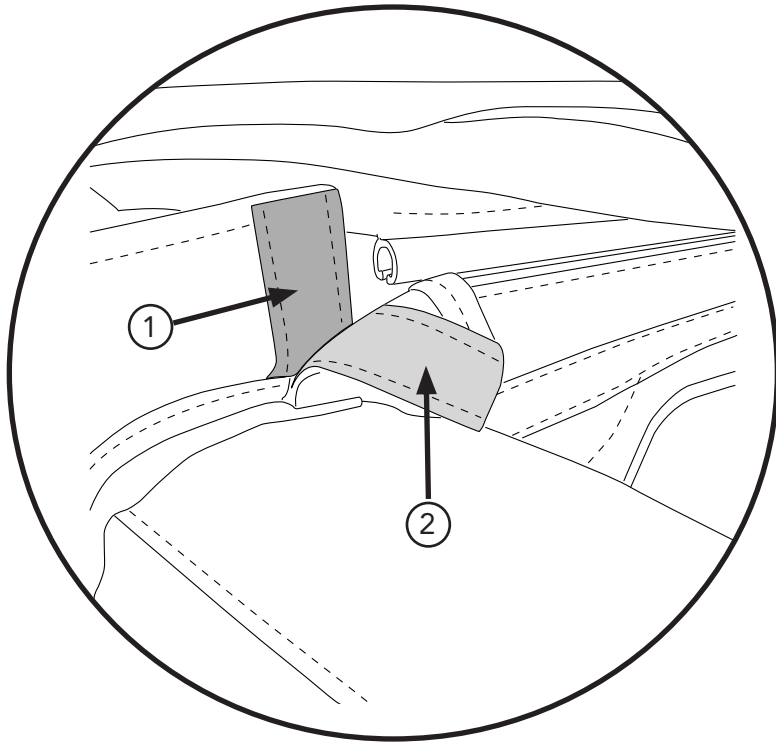
Tuck the plastic strip along the bottom edge of the left rear window under the Jeep belt rail, by rolling it up underneath the belt rail, beginning at the rear, and working your way forward. Make sure you tuck the tab on the front edge of the Duster under the bottom edge of the Side Panel.

Repeat on the right side window.

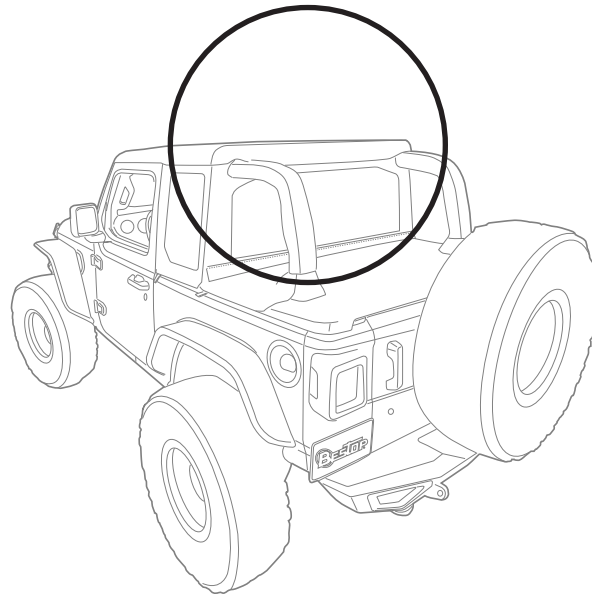


- ① Tighten the Top Corner Straps.
- ② Tighten the Center Hook Straps.

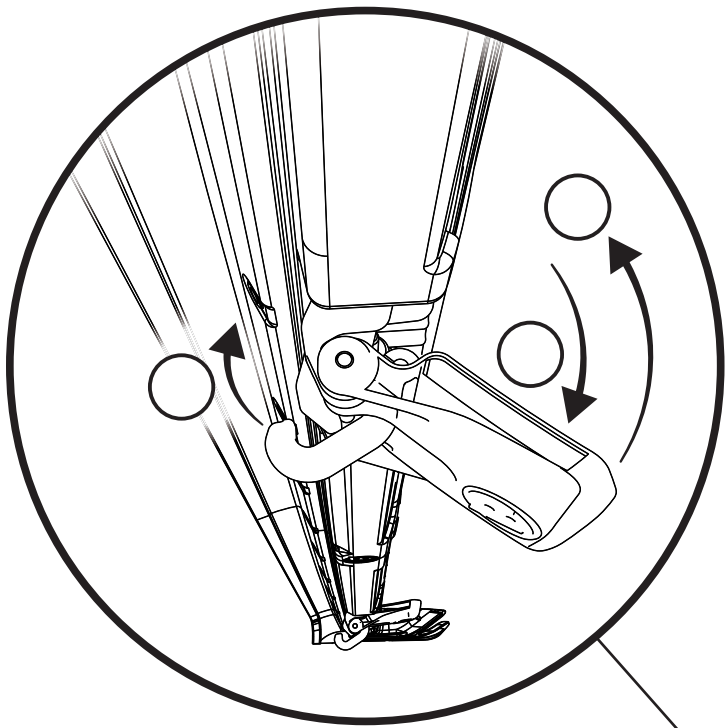




- ① Pull the outside flap over the Sportbar.
- ② Pull the inside flap over the Sportbar and attach the Hook (Inside Flap) onto the Loop (Outside Flap).

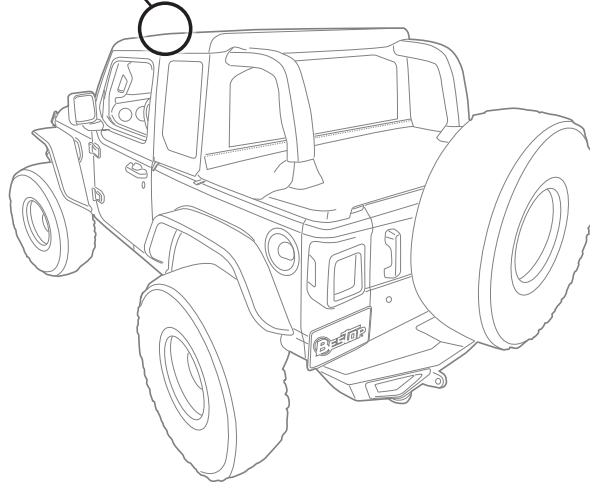


Attach the lower edge of the Rear Top Flap "Hook" to the "Loop" located above the rear window on the Windjammer.



Fold the Sunrider closed and secure both latches to the vehicle's windshield header.

- ① Pivot the latch handle down;
- ② Engage the hook;
- ③ Pivot the latch handle back up.





Care and Maintenance of your Bestop Product

Your Bestop product is made of the finest materials available. To keep it looking new and for the maximum possible wear, it will need periodic cleaning and maintenance.

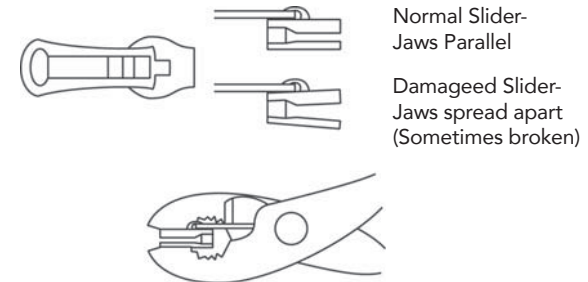
Fabric: The fabric should be washed often using soap, warm water and a soft bristle brush. Rinse with clear water to remove all traces of soap. Bestop recommends using Bestop Cleaner (part no. 11201-00) and Bestop Protectant (part no. 11202-00) for Vinyl fabric and Bestop Twill Protectant (part no. 11207-00) for Twill fabric. Bestop Cleaner and Bestop protectant are specially formulated to provide a total cleaning and protection system. Bestop Cleaner safely removes the toughest stains, will not harm vehicle finishes, is biodegradable and environmentally friendly. Bestop Protectant protects against UV-fading, cracking and hardening, and repels dust, grease, dirt and mildew.

Windows: Keep windows clean to avoid scratching. DO NOT use a brush on the windows! Wash with a water-soaked cloth or sponge and a mild dishwashing detergent. Bestop recommends Bestop Vinyl Window Cleaner (part no. 11203-00), which safely cleans and protects vinyl windows and helps prevent UV damage. NEVER WIPE THE WINDOWS WHEN THEY ARE DRY. Be careful when cleaning snow or frost from the vinyl windows since they are easily scratched and may crack at low temperatures. DO NOT roll the sides or rear window in cold weather. The windows become stiff and will crack. Cracks caused by misuse in cold temperatures are not covered under warranty.

Water: Seeping through at the seams may be stopped by applying 3-M Scotchgard® on the inside of the seams.

Snaps: Keep snaps cleaned and lubricated with silicone to help prevent snaps from sticking to the studs. If a snap does become stuck to a stud, use a screwdriver and GENTLY pry apart to prevent permanent damage to the snap or the top fabric.

Zippers: Keeping zippers cleaned and lubricated with Bestop's Zipper Cleaner (part no. 11206-00) will help prevent damage and keep the zippers in smooth working condition. If a zipper opens behind the slider, the slider may have been spread apart. This problem can usually be repaired by using an ordinary pair of pliers to bring the sides back into parallel. Return slider to the end of the zipper in the normal Open position. Squeeze lightly at first and test the zipper. If the zipper continues to remain open squeeze more firmly with the pliers and try the zipper again. Repeat this procedure until the zipper operates correctly.



For Bestop Warranty Information, Please go to;
<https://www.bestop.com/help/warranty-information/>

