



Installation Instructions Trektop Pro

Vehicle Application:
Jeep® Wrangler JK Unlimited 2007-2018
Part Number 54863

Installation Tips

Before you begin installing your new Trektop Pro, please read all the instructions thoroughly, and watch the Bestop Installation video. (See Support section on this page)

For a Smooth fit and easier installation, the top should,be installed at a temperature above 72°F. Below this temperature, the fabric may contract an inch or more, making it difficult to fit to the vehicle.

It is normal for the fabric to contract and wrinkle when stored in the shipping carton. Within a few days after installation, the fabric will relax and the wrinkles will disappear.



WARNING

Do not rely in any way on the components of this product to protect against injury or death in the event of an accident. Never operate the vehicle in excess of manufacturer's specifications.

Read and follow, precisely, all installation instructions provided when installing this product.











Failure to do so may result in a poor fit and could place occupants of the vehicle in a potentially dangerous situation.



CAUTION

Safety glasses should be worn at all times when installing this product.

WEAR SEAT BELTS AT ALL TIMES

Tools				Installation Time	Support
 #2 Phillips Screwdriver	 10mm & 13mm Wrenches	 Ratchet	 13mm Socket	 4 hours	We're here to help! Go to www.Bestop.com and click on "Need Help?"
 T40 Torx Driver	 Safety Glasses	 4mm Allen Wrench	 Utility Knife	Skill Level  3 - Moderately Difficult	



Installation Instructions Trektop Pro

Vehicle Application:
Jeep® Wrangler JK Unlimited 2007-2018
Part Number 54863

Sugerencias de Instalación

Antes de empezar a instalar esta unidad, lea atentamente todas las instrucciones.

Para un buen ajuste:

Para facilitar la instalación, el producto debe instalarse a temperaturas superiores a 72 °F (22 °C).

Por debajo de esta temperatura, la tela puede encogerse una pulgada o más, lo que dificultaría su ajuste al vehículo.

Es normal que la tela se contraiga o arrugue cuando está guardada en la caja de empaque. A los pocos días después de la instalación, la tela se relajará y las arrugas desaparecerán.



ADVERTENCIA

Este producto se diseñó principalmente para mejorar la apariencia del vehículo y proteger a los ocupantes de las condiciones climáticas comunes. De ninguna manera piense que los componentes de este producto pueden servir como medio de contención para los ocupantes del vehículo o que pueden protegerlos contra lesiones o la muerte en caso de accidente. Este producto no protegerá a los ocupantes contra caídas de objetos. Nunca conduzca este vehículo fuera de las especificaciones del fabricante.

USE LOS CINTURONES DE SEGURIDAD EN TODO MOMENTO

Lea y siga con precisión todas las instrucciones de instalación que se proporcionan para instalar este producto. Si no lo hace, podría producirse un mal ajuste que colocaría a los ocupantes del vehículo en una situación potencialmente peligrosa.



PRECAUCIÓN

Debe usar gafas protectoras en todo momento durante la instalación de este producto.

Conseils pour l'installation

Lire toutes les instructions au complet avant de commencer l'installation de cet assemblage.

Pour un ajustement sans problème :

Afin de faciliter l'installation, ce produit doit être installé à des températures au-dessus de 72 °F (22 °C).

Sous cette température, le tissu peut rétrécir d'un pouce (2,5 cm) ou plus, ce qui rendra l'ajustement sur le véhicule difficile.

Il est normal que le tissu rétrécisse et plisse pendant qu'il est dans la boîte d'expédition. En quelques jours après l'installation, le tissu se détendra et les plis disparaîtront.



AVERTISSEMENT

Ce produit est conçu principalement pour améliorer l'apparence du véhicule et pour protéger les occupants des conditions météorologiques usuelles. Ne jamais se fier aux composants de ce produit pour se protéger de blessures ou de la mort en cas d'accident. Ce produit ne protégera pas les occupants des chutes d'objets. Ne jamais utiliser le véhicule au-delà des caractéristiques techniques indiquées par le fabricant.

PORTER UNE CEINTURE DE SÉCURITÉ EN TOUT TEMPS

Lire et suivre, très fidèlement, toutes les instructions d'installation fournies lors de l'installation de ce produit. Ne pas suivre cette consigne peut causer une installation inadéquate et mettre les occupants du véhicule dans une situation potentiellement dangereuse.



MISE EN GARDE

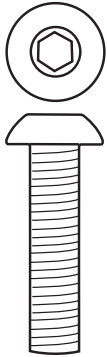
Des lunettes de sécurité doivent être portées en tout temps lors de l'installation de ce produit.



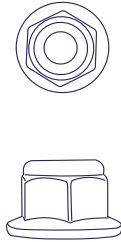
Installation Instructions Trektop Pro

Vehicle Application:
Jeep® Wrangler JK Unlimited 2007-2018
Part Number 54863

Parts List



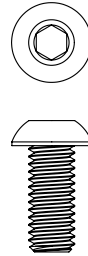
M6 x 25mm Screw
Part #431.62
Qty. 12



M6 Nylon Lock Nut
Part #494.01
Qty. 22



M6 Flat Washer
Part #257.93
Qty. 22



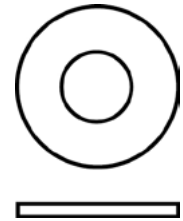
M6 x 14mm Screw
Part #517.63
Qty. 10



M8 x 20mm Screw
Part #493.96
Qty. 2



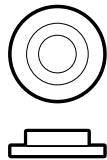
M8 Lock Nut
Part #434.12
Qty. 2



M8 Flat Washer
Part #433.98
Qty. 4



M5 x 35mm Screw
Part #514.62
Qty. 2



Plastic Bushing
Part #473.40
Qty. 4



M5 Nylon Lock Nut
Part #526.76
Qty. 2



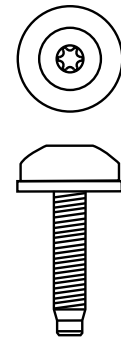
M5 Flat Washer
Part #575.27
Qty. 2



#10-24 x 3/8"
Machine Screw
Part #195.92
Qty. 4



M8 x 80mm Screw
Part #532.23
Qty. 4



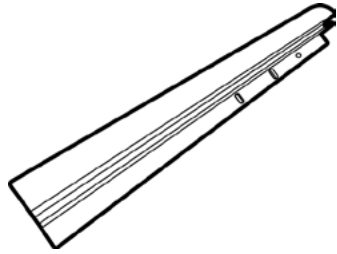
M8 x 38mm Screw
Part #532.17
Qty. 2



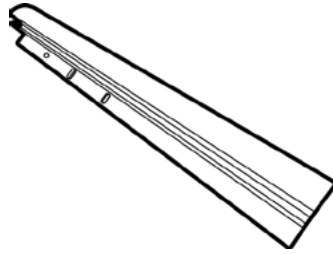
Installation Instructions Trektop Pro

Vehicle Application:
Jeep® Wrangler JK Unlimited 2007-2018
Part Number 54863

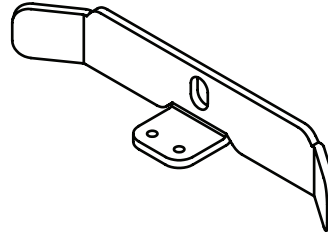
Parts List



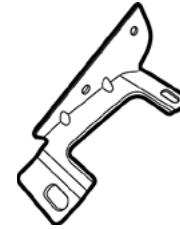
Window Carrier - Left
Part #510.55
Qty. 1



Window Carrier - Right
Part #510.56
Qty. 1



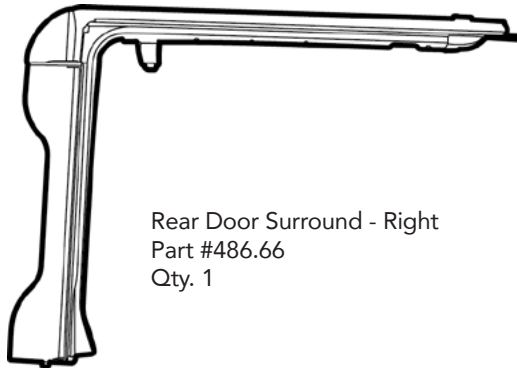
Cable or Spring
Bracket
Part #572.03
Qty. 2



Rear Bracket - Left
Part #510.96
Qty. 1



Rear Bracket - Right
Part #510.97
Qty. 1



Rear Door Surround - Right
Part #486.66
Qty. 1



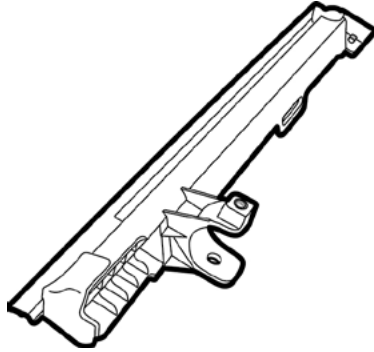
Rear Door Surround - Left
Part #486.67
Qty. 1



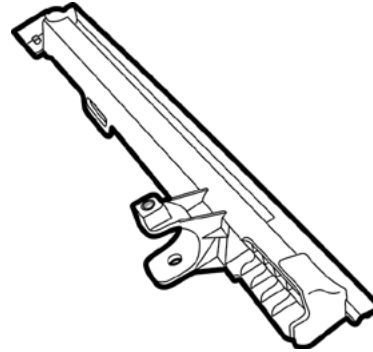
Installation Instructions Trektop Pro

Vehicle Application:
Jeep® Wrangler JK Unlimited 2007-2018
Part Number 54863

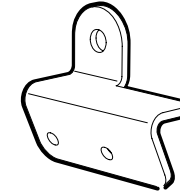
Parts List



Front Door Surround - Left
Part #479.87
Qty. 1



Front Door Surround - Right
Part #479.86
Qty. 1



Sunrider Pivot Bracket
#544.18 - Right (shown)
#544.19 - Left
Qty. 1 of each



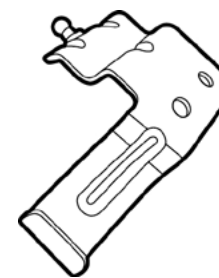
Halo Frame
Part #509.82
Qty. 1



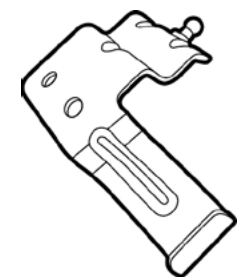
Halo - Left
Part #509.77
Qty. 1



Halo - Right
Part #509.76
Qty. 1



Strut Bracket - Right
Part #509.64
Qty. 1



Strut Bracket - Left
Part #509.63
Qty. 1



Halo Center
Part #509.80
Qty. 1



Installation Instructions Trektop Pro

Vehicle Application:
Jeep® Wrangler JK Unlimited 2007-2018
Part Number 54863

Parts List



Halo Seal (Long)
Part #510.17
Qty. 1



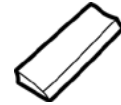
Strut
Part #510.16
Qty. 2



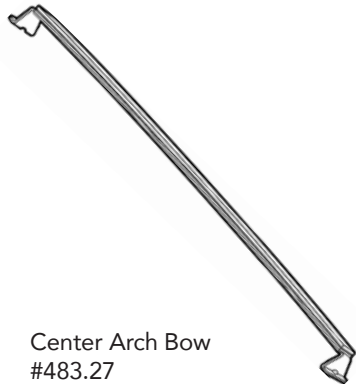
Rear Seal (Short)
Part #511.87
Qty. 1



Upper TG Panel Seal
Part #514.04
Qty. 2



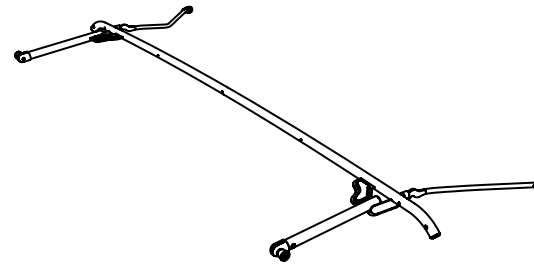
Lower TG Panel Seal
Part #514.05
Qty. 2



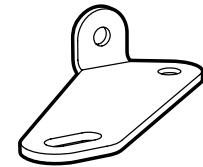
Center Arch Bow
#483.27
Qty. 1



Rear Arch Bow
#510.49
Qty. 1



#2 Bow Assembly
#541.18
Qty. 1



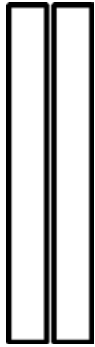
#2 Bow Pivot Bracket
#541.88 - Right (shown)
#541.87 - Left
Qty. 1 per side



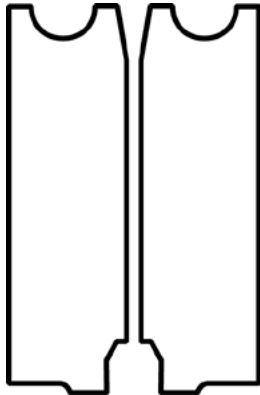
Installation Instructions Trektop Pro

Vehicle Application:
Jeep® Wrangler JK Unlimited 2007-2018
Part Number 54863

Parts List



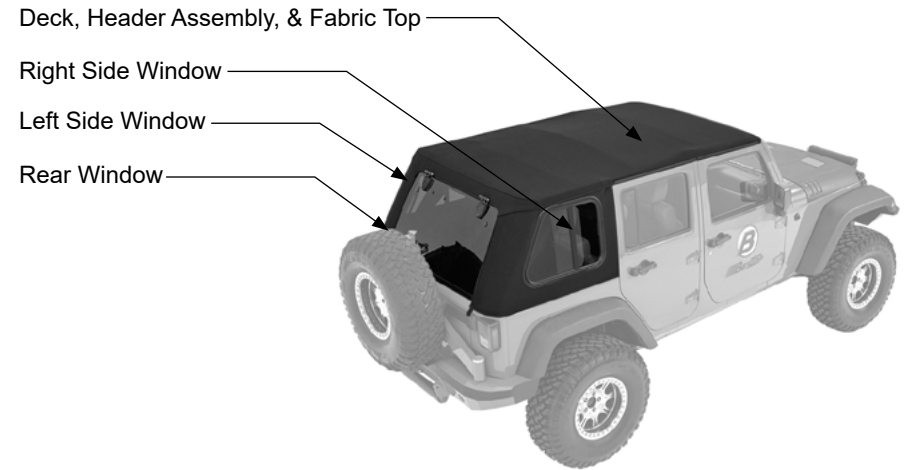
Foam Tape Strips
Qty - 2
Part # 417.43



Foam Seals
Qty - 1 per side
Part # 457.76 (R) & 457.77 (L)



Jumper Harness
Qty - 1
Part # 510.18



Tools

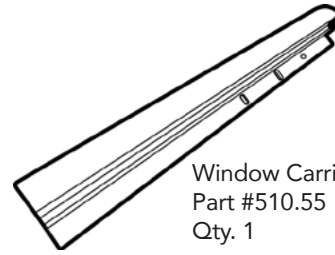


4mm Allen Wrench

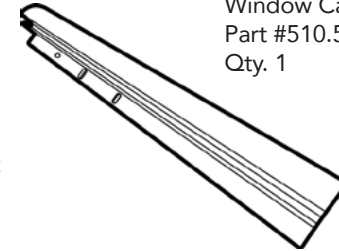


10mm Wrench

Hardware



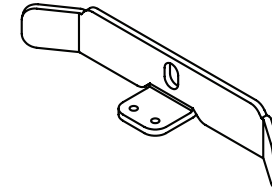
Window Carrier - Left
Part #510.55
Qty. 1



Window Carrier - Right
Part #510.56
Qty. 1



M6 Screw
Part #517.63
Qty. 2



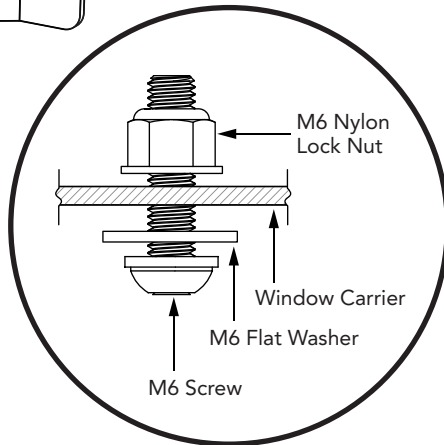
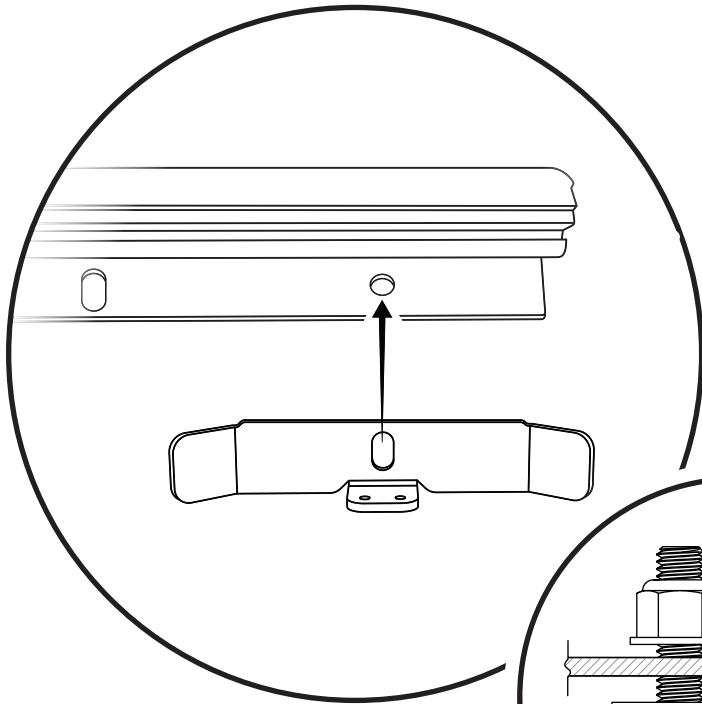
Cable or Spring Bracket
Part #547.91
Qty. 2



M6 Flat Washer
Part #257.93
Qty. 2

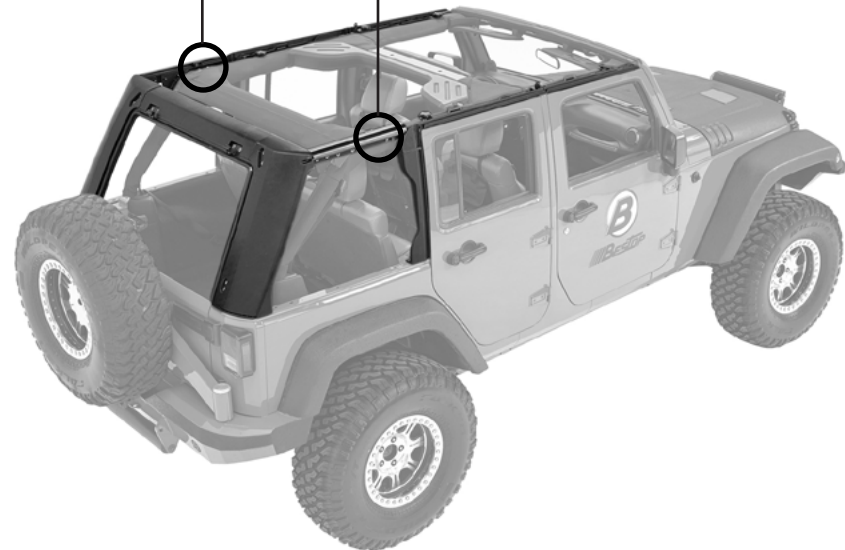


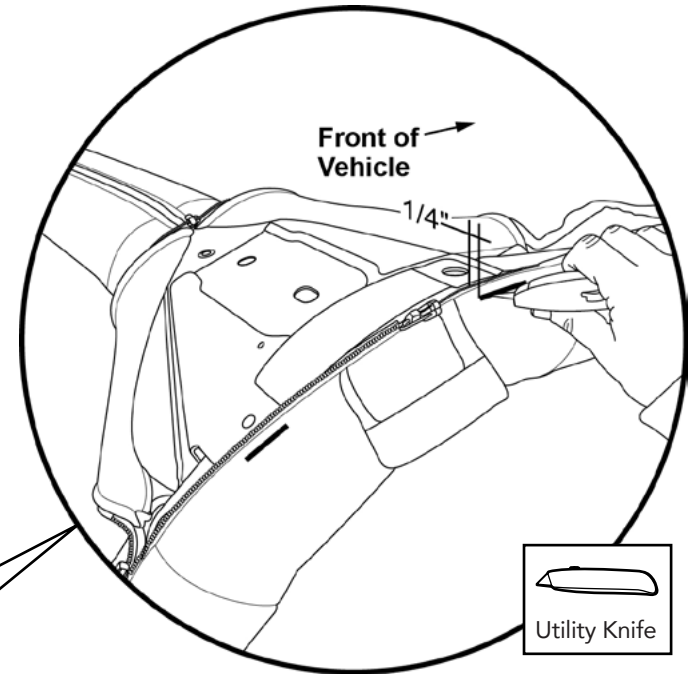
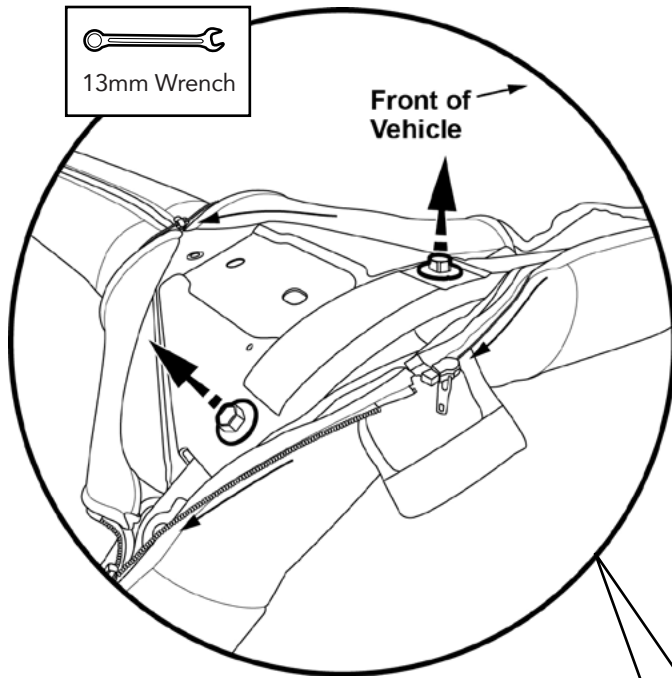
M6 Nylon Lock Nut
Part #494.01
Qty. 2



Install a Cable Bracket #547.91 onto each Window Carrier #510.55 & 510.56. Attach the Cable Bracket using the hole in the Window Carrier closest to the front (the end with the molded cap).

Install the M6 Screw #517.63 and Flat Washer #257.93 from the top and the M6 Nylon Lock Nut #494.01 from underneath the Window Carrier and tighten.

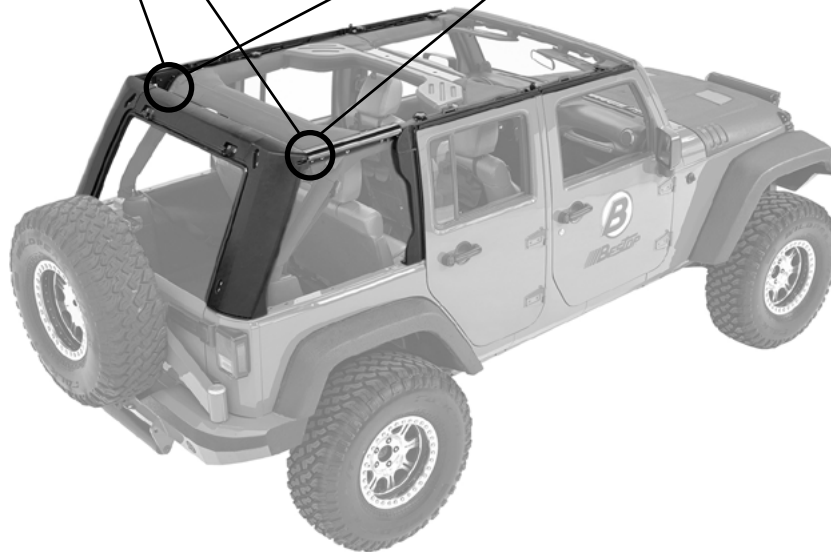




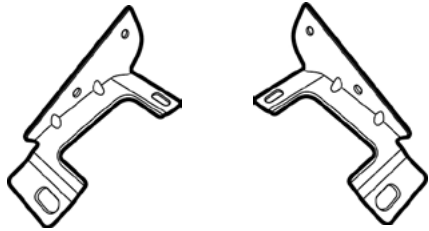
Unzip the upper rear and rear leg sport bar covers and locate the upper sport bar bolt. Use a 13mm wrench to remove the bolt and set it aside for later use.

Repeat on both sides of the vehicle.

Cut two horizontal slits the same width as the Rear Bracket tab in the sport bar cover 1/4" below the zipper and aligned with the bolt hole.

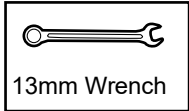


Hardware

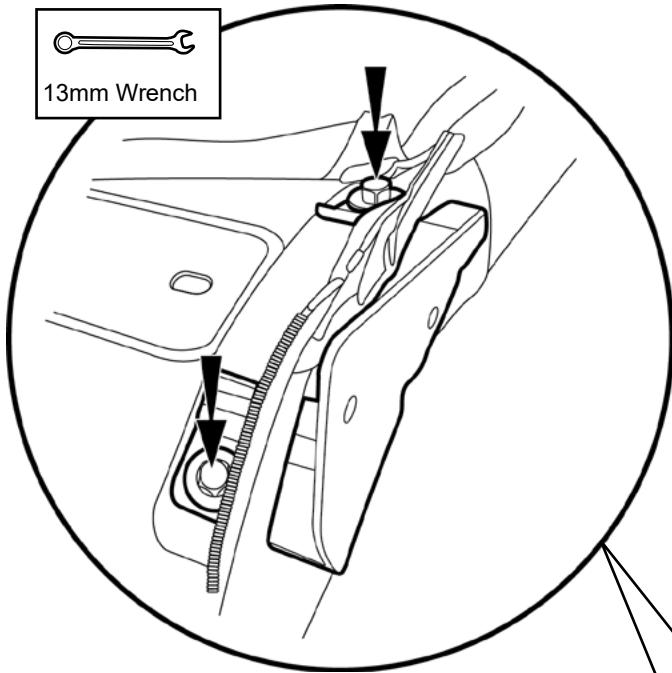


Rear Bracket - Left
Part #510.97
Qty. 1

Rear Bracket - Right
Part #510.96
Qty. 1



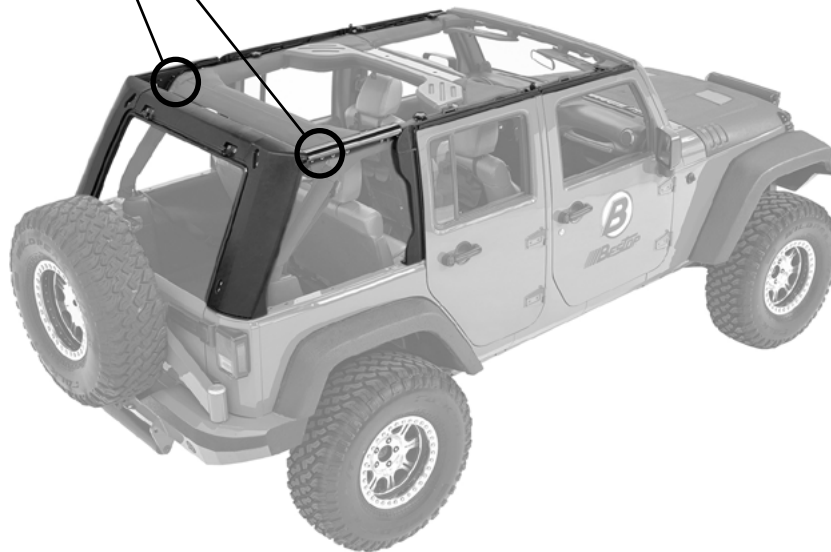
13mm Wrench



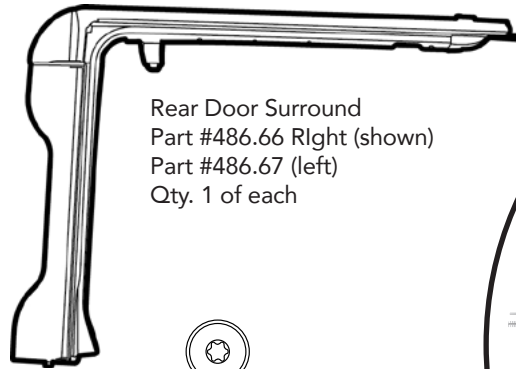
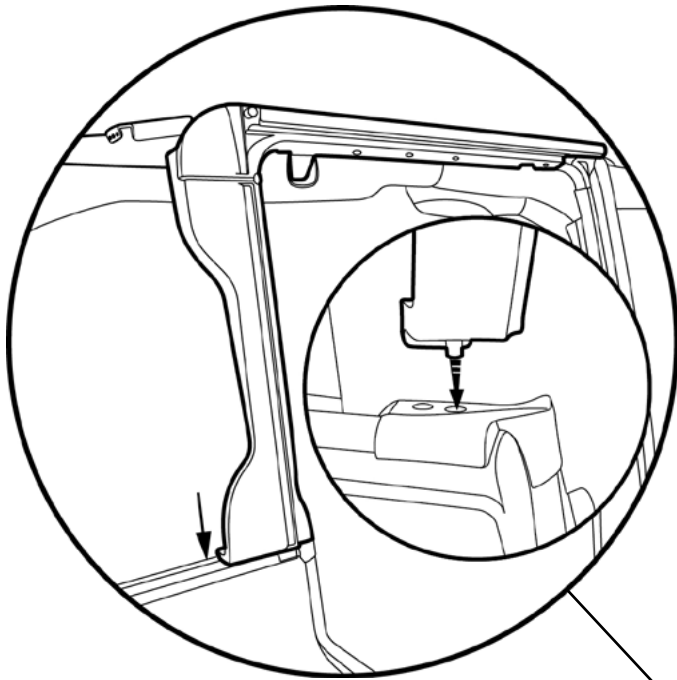
Use the bolts that were removed in Step 1 to mount the Rear Brackets #510.96 and #510.97 to the sport bar on each side of the vehicle, through the slits cut in the sport bar cover.

Tighten the bolts just snug so that the bracket can be adjusted in the slots for side-to-side movement.

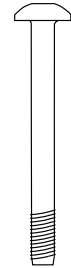
All bolts and screws will be tightened later in the installation process.



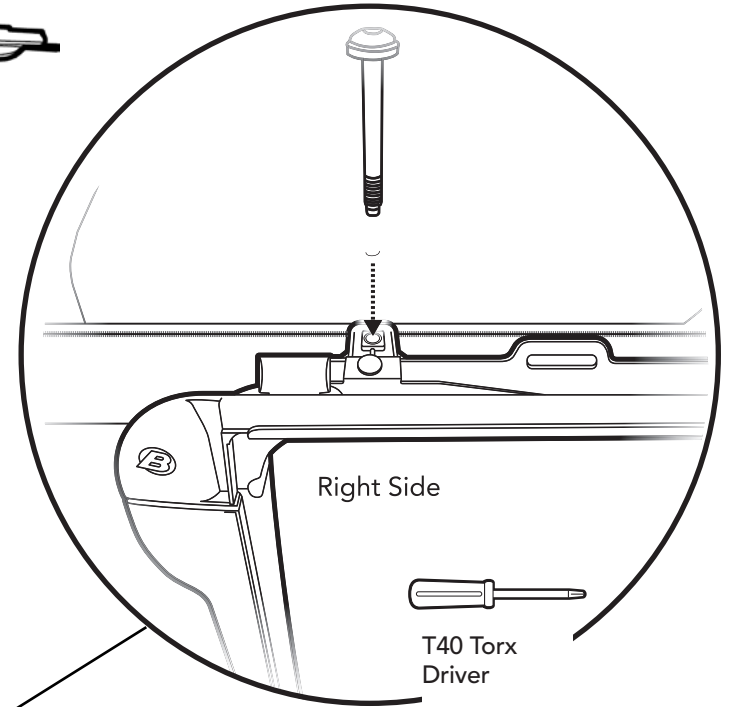
Hardware



Rear Door Surround
Part #486.66 Right (shown)
Part #486.67 (left)
Qty. 1 of each



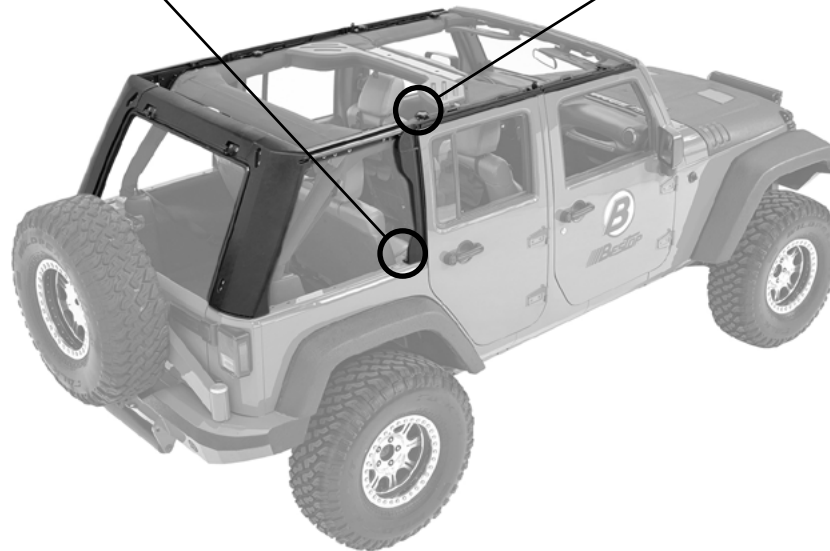
M8 x 80mm Screw
#532.23
Qty. 2



Insert the pin in the bottom of the Rear Door Surround #486.66 into the hole in the belt rail behind the rear door opening. Press the channel along the top of the Rear Door Surround around the the horizontal sport bar.

Passenger (right) side shown.

Repeat on the driver (left) side of the vehicle.

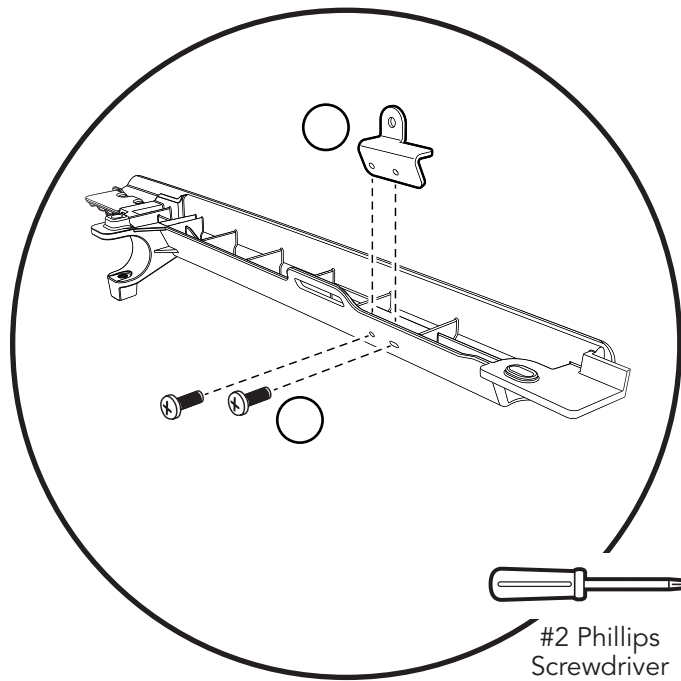


Insert an M8 x 80mm Screw #532.23 into the rear position on the Door Surround, and tighten the Screws to 55in/lb (4.5ft/lb).

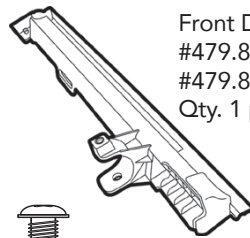
Passenger side (right) shown.

Repeat on the driver (left) side of the vehicle.

Hardware



Sunrider Pivot Bracket
#544.18 - Right (shown)
#544.19 - Left
Qty. 1 per side



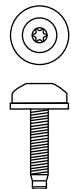
Front Door Rail
#479.86 - Right (shown)
#479.87 - Left
Qty. 1 per side



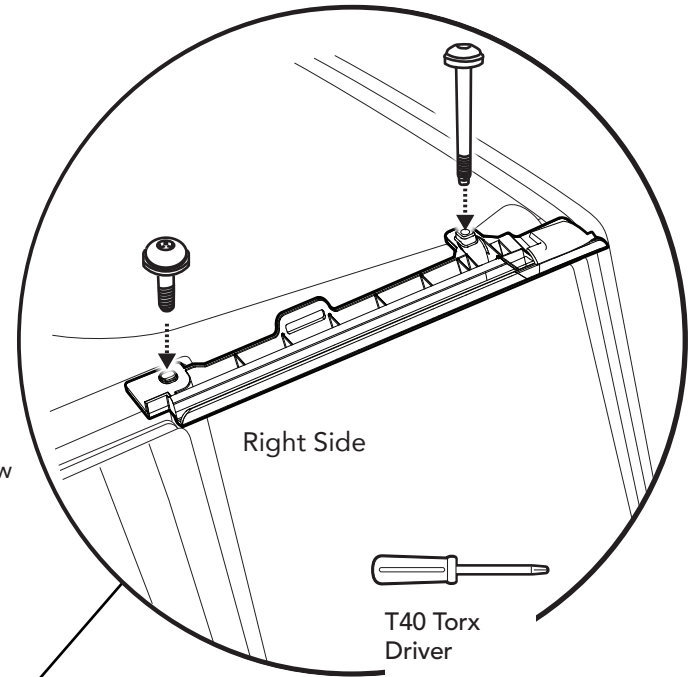
#10-24 x 3/8"
Machine Screw
Part #195.92
Qty. 4



M8 x 80mm Screw
#532.23
Qty. 2



M8 x 38mm Screw
#532.17
Qty. 2



Right Side



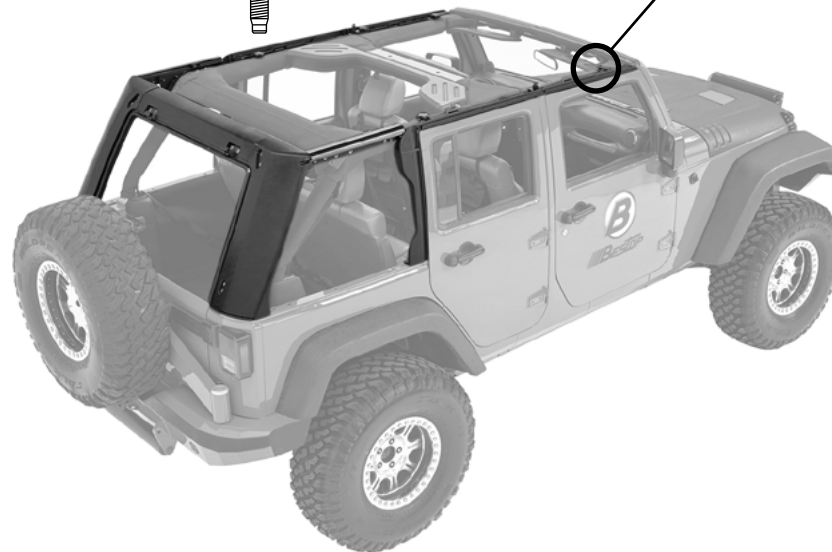
T40 Torx
Driver

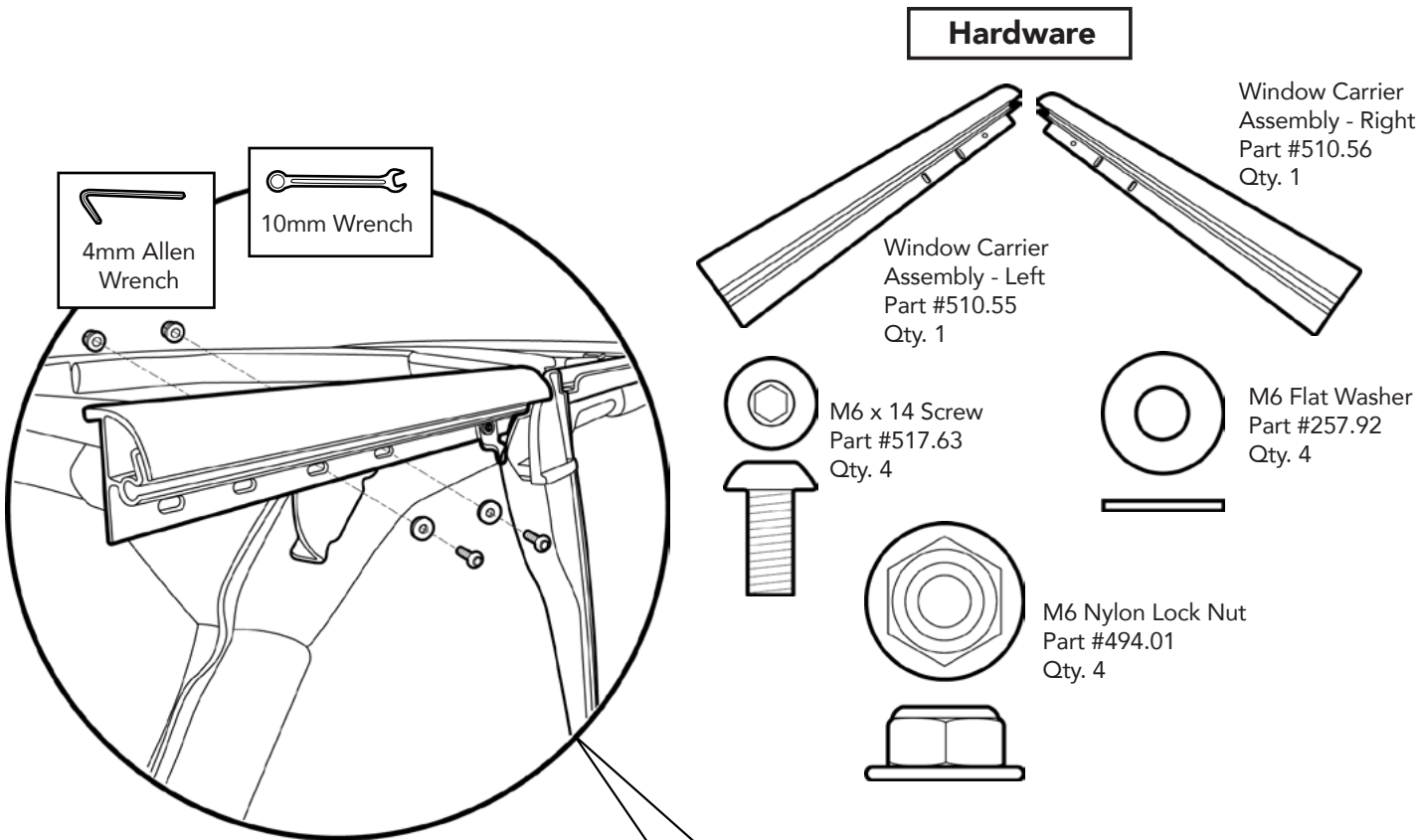
Attach the right Sunrider Pivot Bracket #544.18 to the right Front Door Rail #479.86 using two (2) #195.92 Screws.

Repeat on the left side of the vehicle, using the #544.19 Left Sunrider Bracket.

Secure Left and Right Front Door Rails to the Jeep Sport Bar using one (1) Long M8 x 80mm Screw at the front and one (1) M8 x 38 Screw at the rear per side. The knobs go through the tab at the rear of each Rear Door Rail, and screw into the threaded holes in the top of the sport bar.

Repeat on the left side of the vehicle.



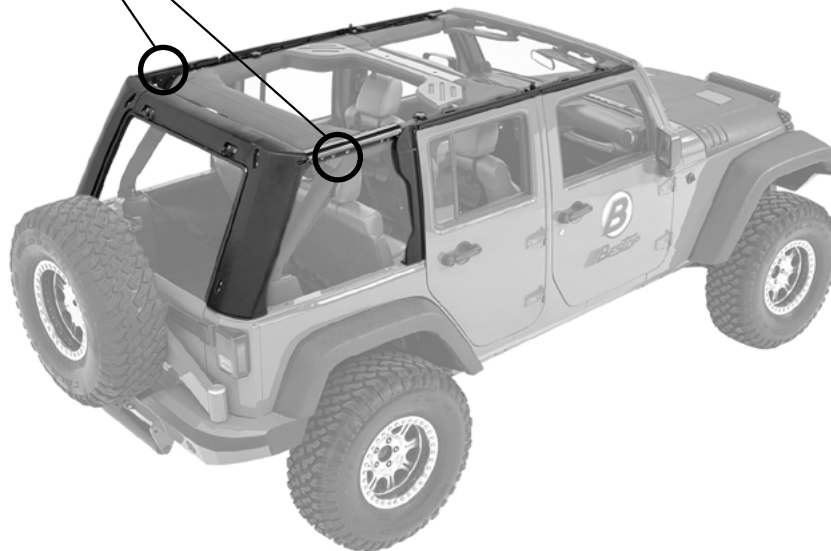


Install the Right Window Carrier #510.56 to the Rear Bracket.

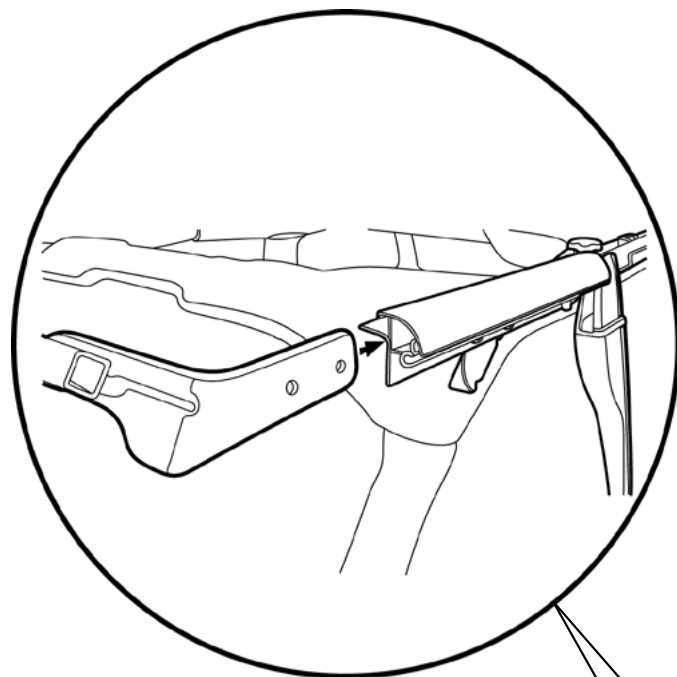
The plastic cap with the "B" logo goes toward the front and the open end of the Carrier goes toward the rear.

Tighten all fasteners just snug at this time. All fasteners will be tightened later in the installation process.

Repeat on the other side of the vehicle.



Hardware



Halo Frame
Part #509.82
Qty. 1



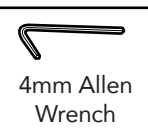
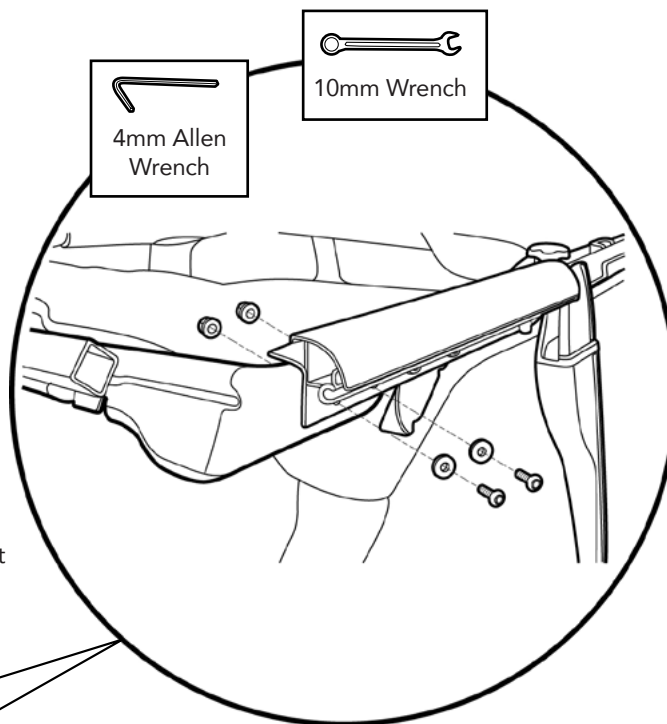
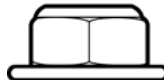
M6 x 14 Screw
Part #517.63
Qty. 2



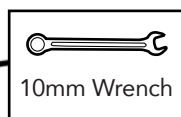
M6 Flat Washer
Part #257.92
Qty. 2



M6 Nylon Lock Nut
Part #494.01
Qty. 2

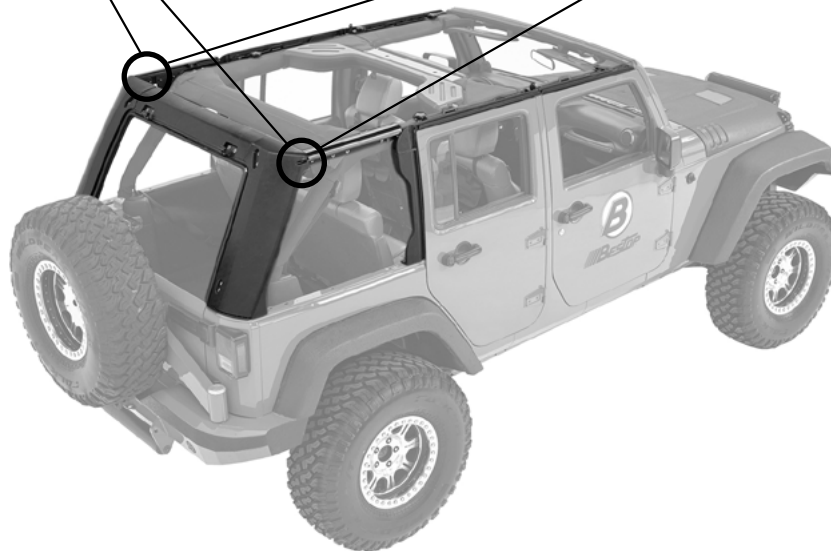


4mm Allen Wrench



10mm Wrench

Install the Halo Frame #509.82 to the Window Carrier.



Secure each Halo Frame to the Window Carrier using two (2) M6x14 Screws #517.63 and two (2) M6 Flat Washers #257.93 from the outside and two (2) M6 Nylon Lock Nuts #494.01 from the inside.

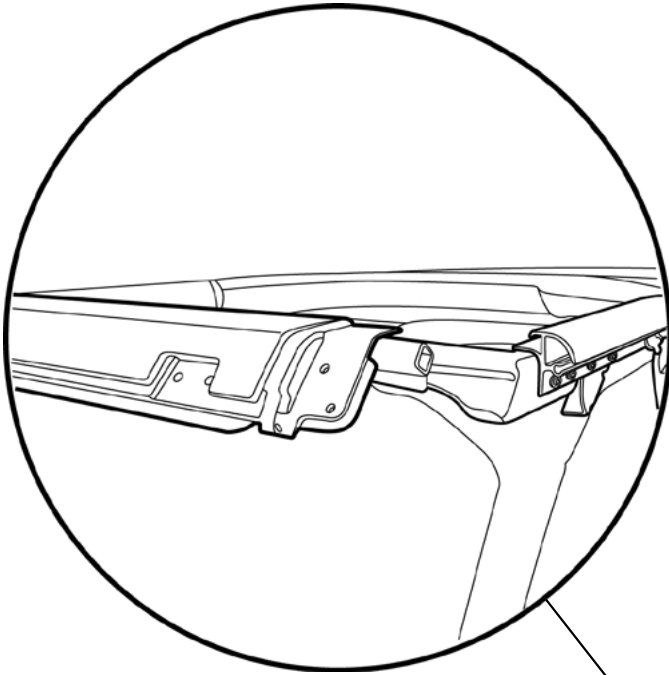
Tighten fasteners just snug at this time. All fasteners will be tightened later in the installation process.

Repeat on both sides of the vehicle.

Hardware



Halo Center
Part #509.80
Qty. 1

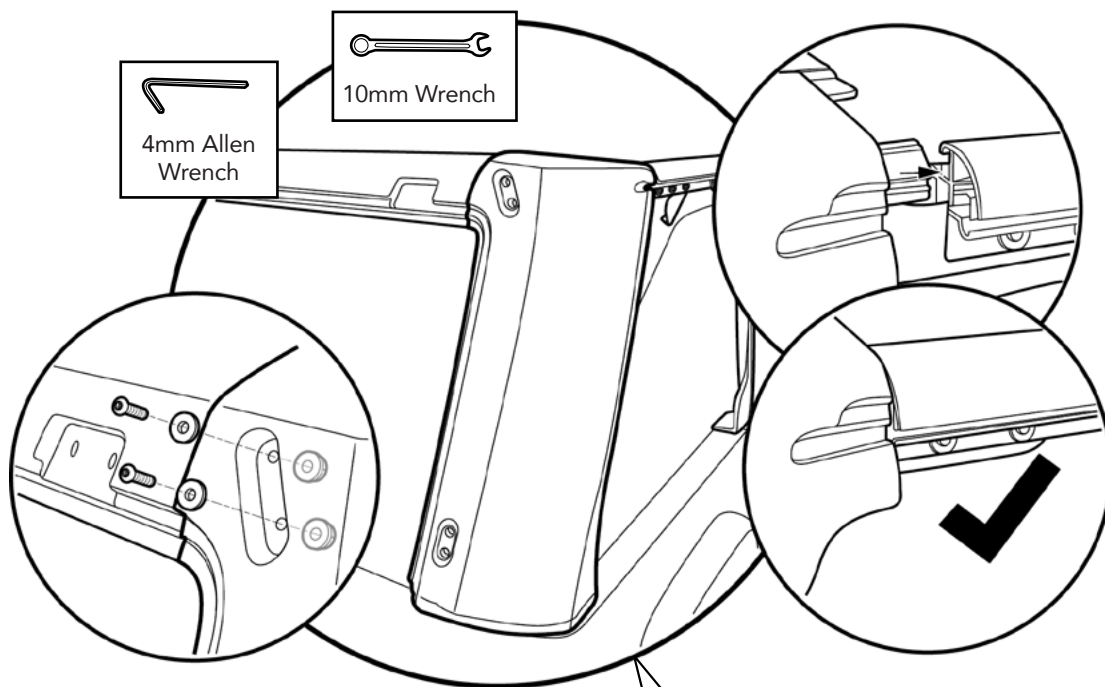


Position the Halo Center #509.80 on the Halo Frame.

No fasteners are required for this step.

You may need assistance to hold the Halo Center in place for the next section of this installation.





Hardware



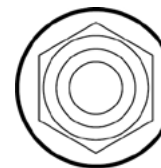
Halo - Left
Part #509.77
Qty. 1



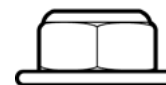
Halo - Right
Part #509.76
Qty. 1



M6 x 25 Screw
Part #431.62
Qty. 2



M6 Nylon Lock Nut
Part #494.01
Qty. 2



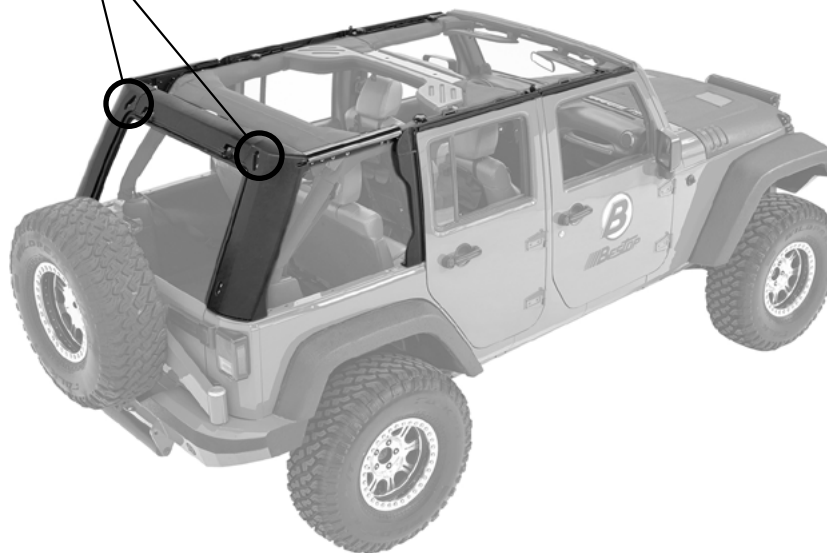
M6 Flat Washer
Part #257.92
Qty. 2

Install the Right and Left Halo, #509.76 and #509.77 to the Window Carrier.

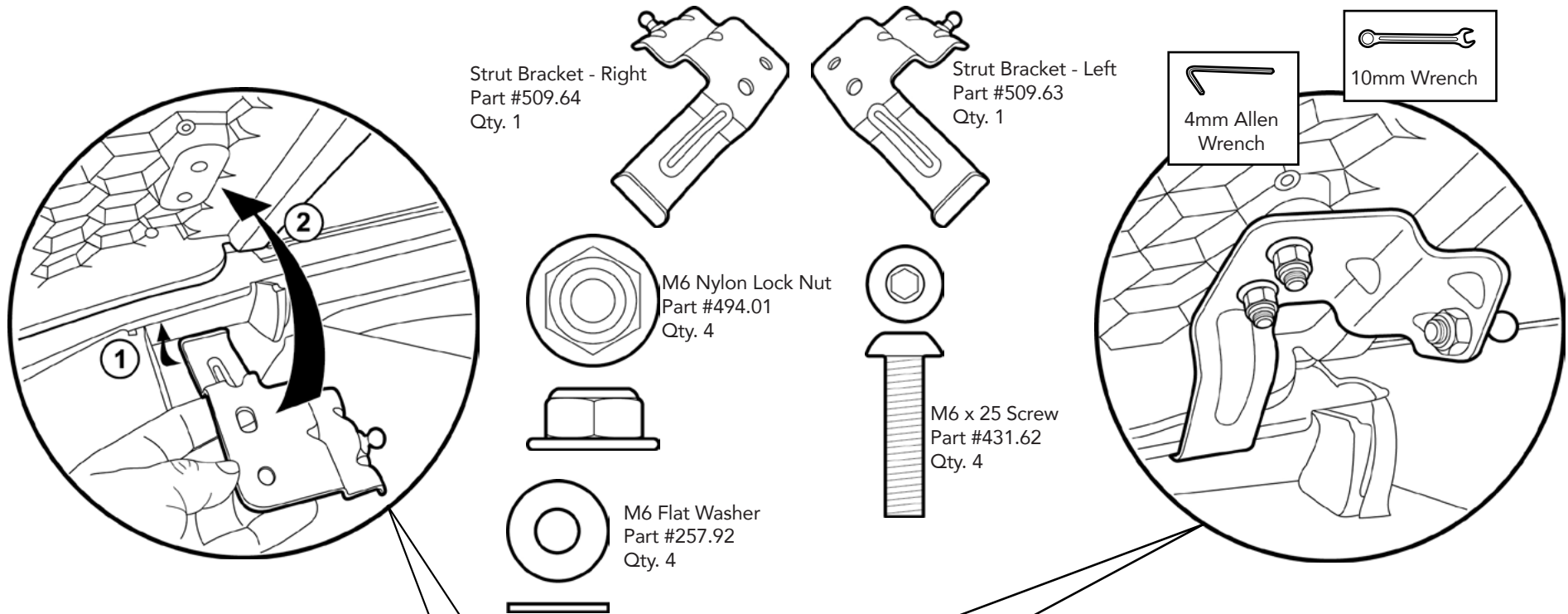
Install the tab feature on the upper section of the Halo in the open end of the Window Carrier. Secure with two (2) M6x25 Screws #431.62 and two (2) M6 Flat Washers #257.93 from the outside, and two (2) M6 Nylon Lock Nuts #494.01 from the inside in the outermost holes on each side.

Tighten screws just snug at this time so that the Halo can be adjusted.

All fasteners will be tightened later in the installation process.



Hardware



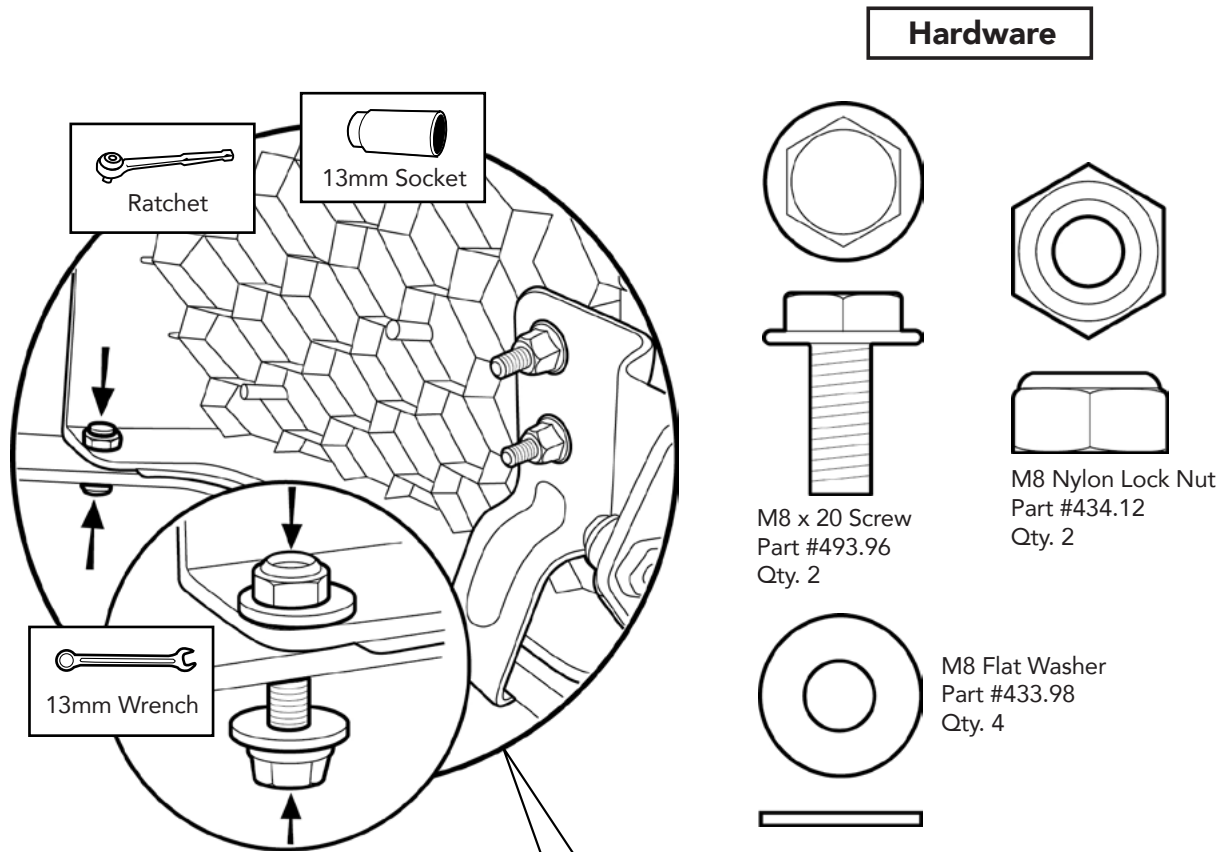
Hook each Strut Bracket #509.63 and #509.64 under the vehicle belt rail inside the vehicle and rotate the bracket up.

Secure each Strut Bracket to the Halo and belt rail using two (2) M6x25 Screws #431.62, two (2) M6 Flat Washers #257.93, and two (2) M6 Nylon Lock Nuts #494.01.

Tighten screws just snug at this time, so that Halo can be adjusted later as necessary.

All fasteners will be tightened later in the installation process.

Repeat on both sides of the vehicle.

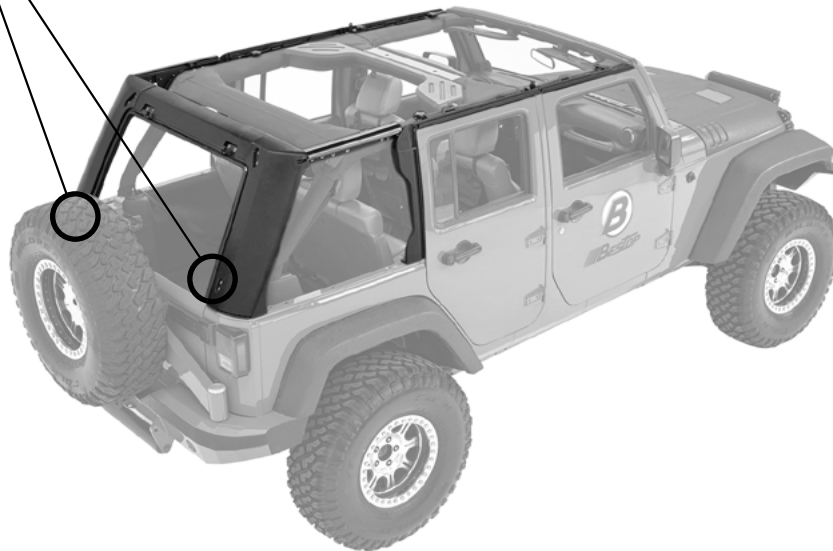


Use two (2) M8x20 Screws #493.96, four (4) M8 Flat Washers #433.98, and two (2) M8 Nylon Lock Nuts #434.12 to secure the Halo to the vehicle belt rail. It may be easier to install the screw from the bottom and the lock nut from the top.

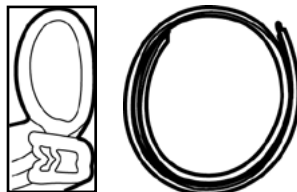
Tighten screws just snug at this time so that the Halo can be adjusted.

All fasteners will be tightened later in the installation process.

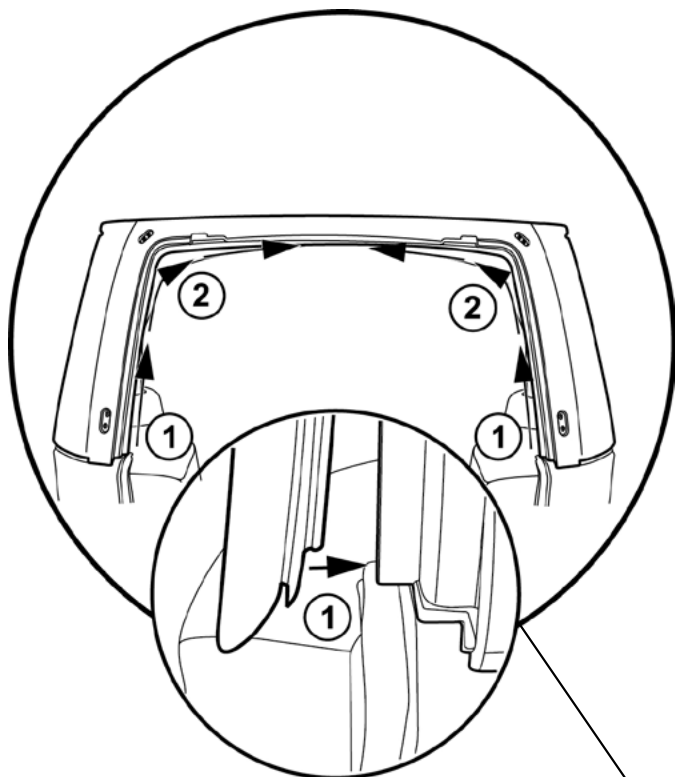
Repeat on both sides of the vehicle.



Hardware



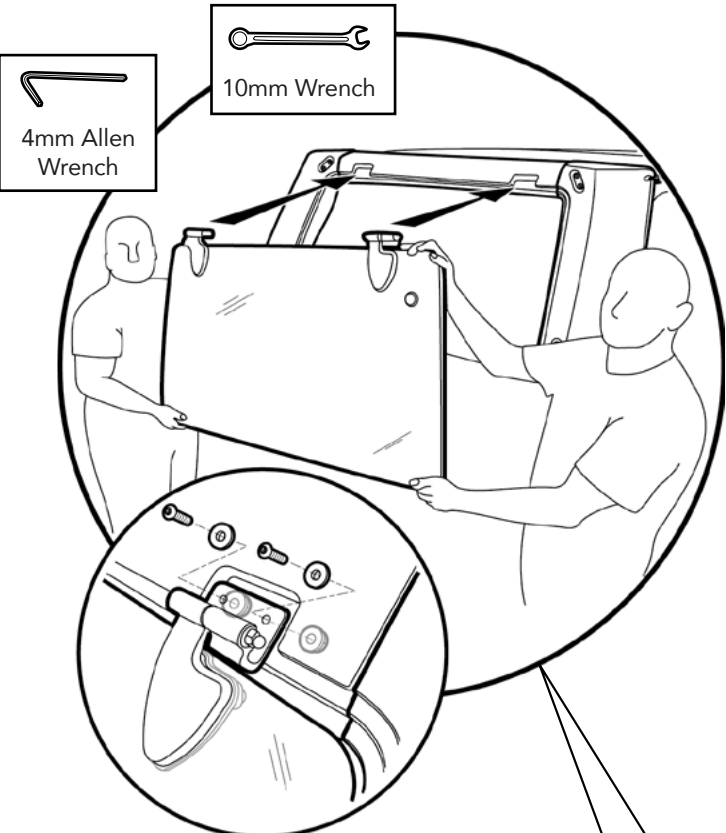
Halo Seal (Long)
Part #510.17
Qty. 1



Install the Halo Seal #510.17 on the Halo. Start at the bottom on each side and work toward the center.

Align the bottom of the Seal to match the angle on the tailgate opening.



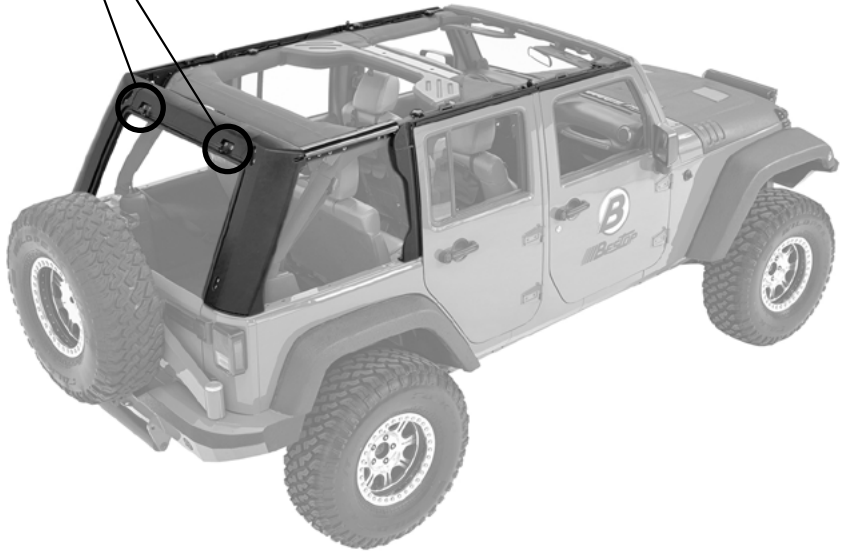
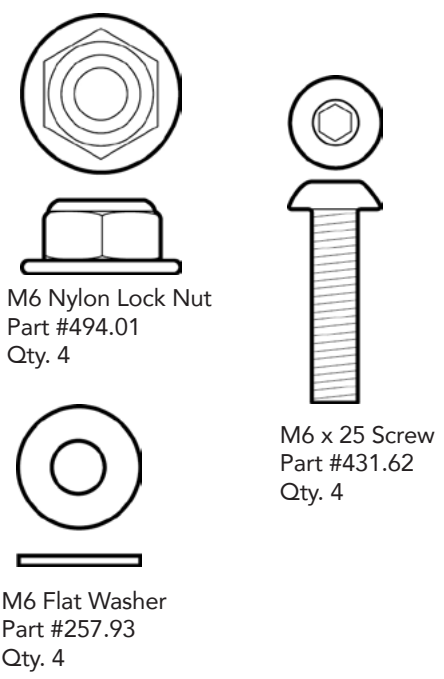


Close the tailgate.

With at least two people, install the Rear Window Glass onto the Halo. Rest the bottom of the glass on the tailgate, with one person holding the glass in place. Secure the glass with two (2) M6x25 Screws #431.62 and two (2) M6 Flat Washers #257.93 from the outside, and two (2) M6 Nylon Lock Nuts #494.01 from the inside, in holes for the hinges on each side.

If the hinge holes don't align, insert a screwdriver in the hole to align the parts.

Hardware



Important 2 or more people are required to install the Rear Window Glass.

Importante Se requiere 2 ó más personas para la instalación de la ventana de vidrio trasera.

Important La mise en place de la lunette arrière en verre nécessite au moins deux personnes.

CAUTION
Take extra care fastening the gas strut brackets and the upper hinge plates to safety glass hatch. Over tightening may result in cracking or breaking the glass hatch.

Precaución
Tenga mucho cuidado al fijar los soportes de los puntales a gas y las placas con bisagras superiores a la luneta de cristal. Apretar más de lo necesario puede resultar en agrietamiento o rotura de la luneta de vidrio.

Attention
Apporter un soin très particulier à la fixation des étriers des vérins à gaz et des plaques des charnières supérieures sur la lunette en verre de sécurité. Un serrage trop important peut craqueler ou casser la lunette en verre.

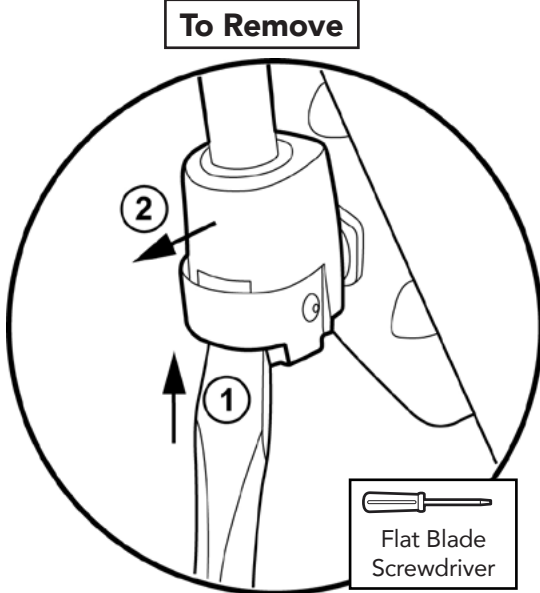
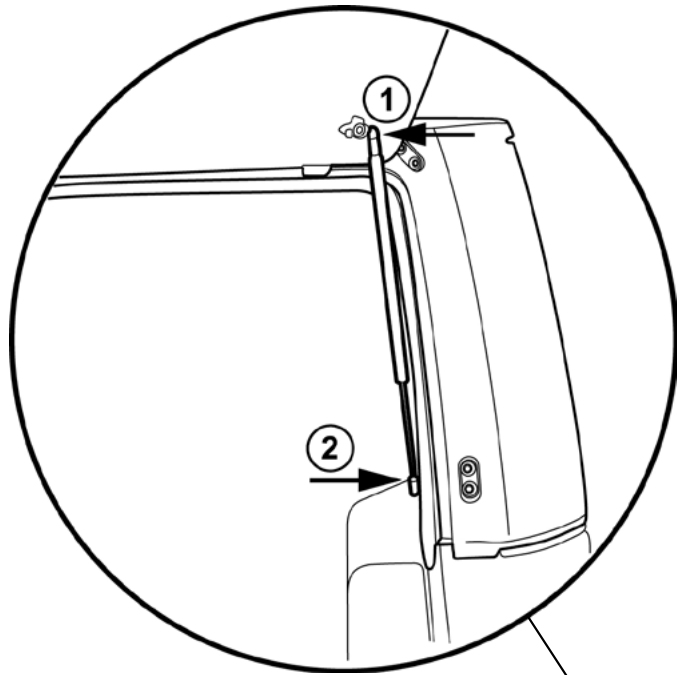
Take a close look at the window installation.

Make sure the window is centered in the opening, and has an even gap from the glass to Halo on all sides.

Adjust the hinge mounting or Halo fasteners to achieve an even gap between glass and Halo

Hardware

Strut
Part # 510.16
Qty. 2



CAUTION

Take extra care fastening the gas strut brackets and the upper hinge plates to safety glass hatch. Over tightening may result in cracking or breaking the glass hatch.

Precaución

Tenga mucho cuidado al fijar los soportes de los puntales a gas y las placas con bisagras superiores a la luneta de cristal. Apretar más de lo necesario puede resultar en agrietamiento o rotura de la luneta de vidrio.

Attention

Apporter un soin très particulier à la fixation des étriers des vérins à gaz et des plaques des charnières supérieures sur la lunette en verre de sécurité. Un serrage trop important peut craqueler ou casser la lunette en verre. .

To Remove

- ① Use a screwdriver to pry up the retainer.
- ② Pull the end off the round stud to remove the Strut.

Repeat with both Struts.

To install the Struts #510.16:

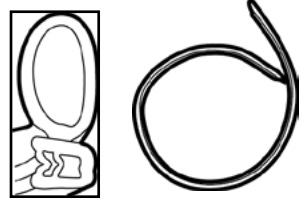
- ① Secure the top (tube section) of each Strut to the Rear Window Glass by pressing the end onto the round stud.
- ② Secure the bottom to the lower Strut Bracket.

You may have to rotate the end of the Strut to align properly with the stud.

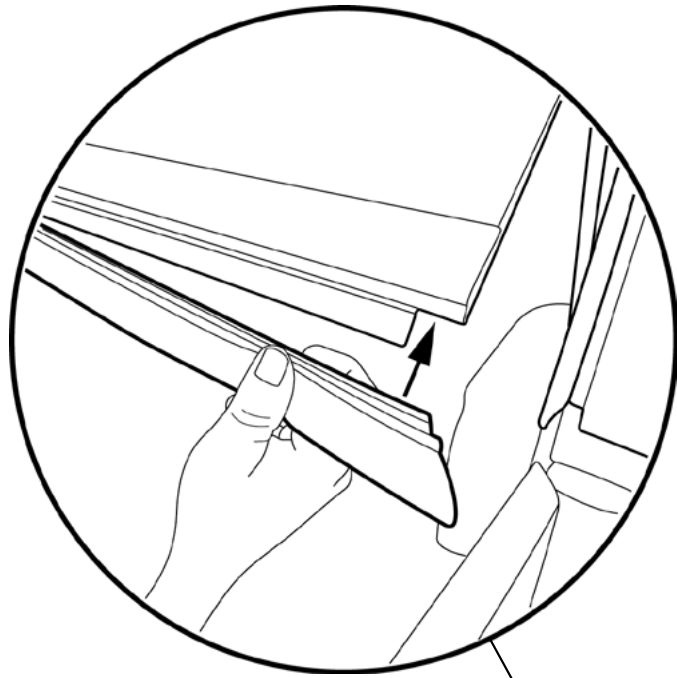
Repeat with both Struts.



Hardware



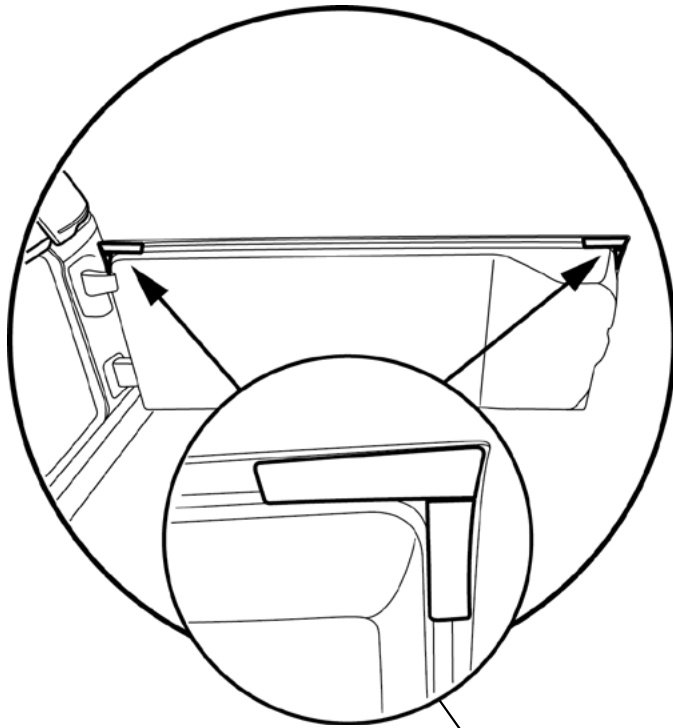
Rear Seal (Short)
Part #511.87
Qty. 1



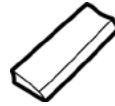
Install the Rear Seal #511.87 on the bottom of the Rear Window Glass.
Start on the outside edges and work toward the center.



Hardware



Upper TG Panel Seal
Part #514.04
Qty. 2



Lower TG Panel Seal
Part #514.05
Qty. 2

Install the TG Panel Seals #514.04 and #514.05 on the tailgate panel.

The Upper TG Seal aligns with the top and the Lower TG Seal aligns with the upper TG Seal.



Tighten glass hinge fasteners.

Tighten Window Carrier fasteners.

Tighten bolts on sport bar holding Rear Brackets.

Zip sport bar covers closed.

Tighten all Halo frame fasteners, including lower Halo Strut Bracket and Halo lower screws.

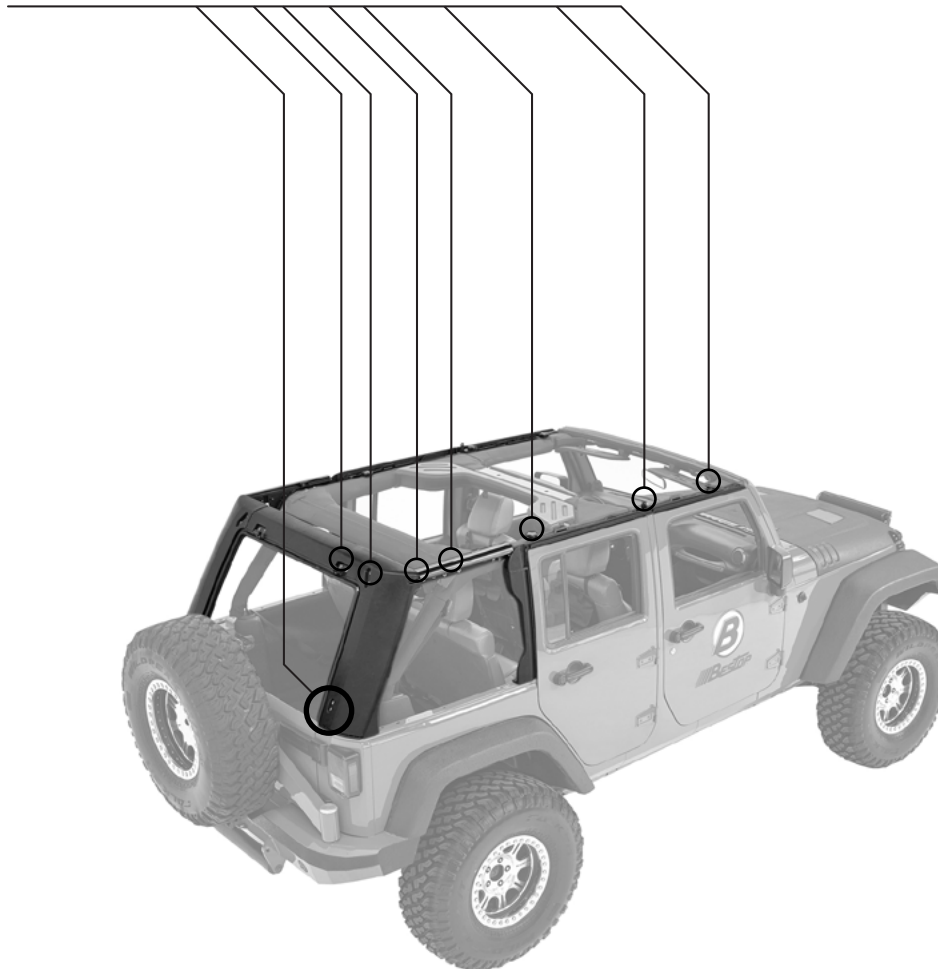
Passenger side fastener locations shown.

Repeat on both sides of the vehicle.

Open and close the rear window.

Make sure the window operates smoothly.

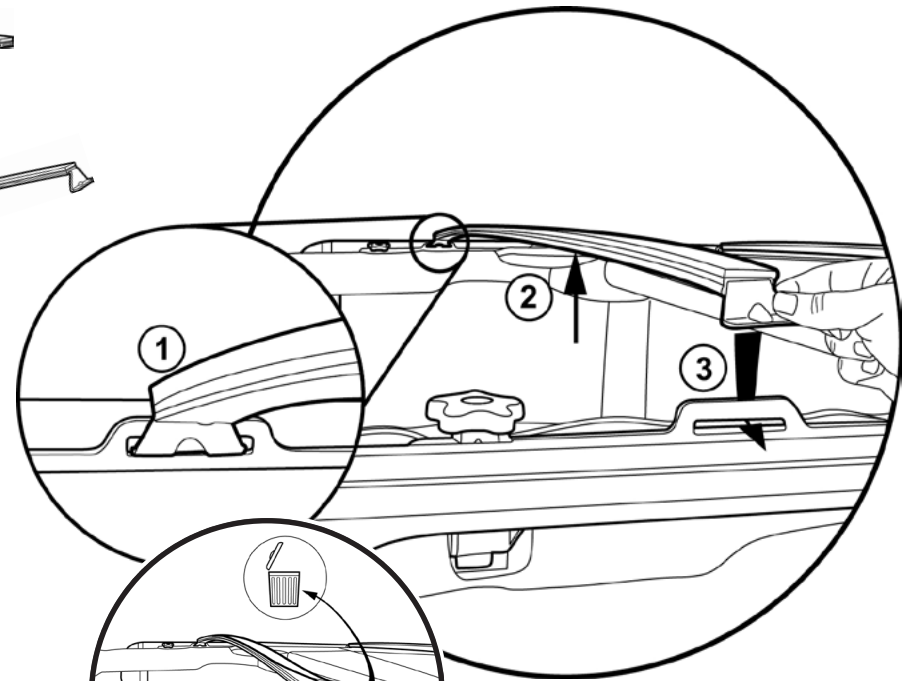
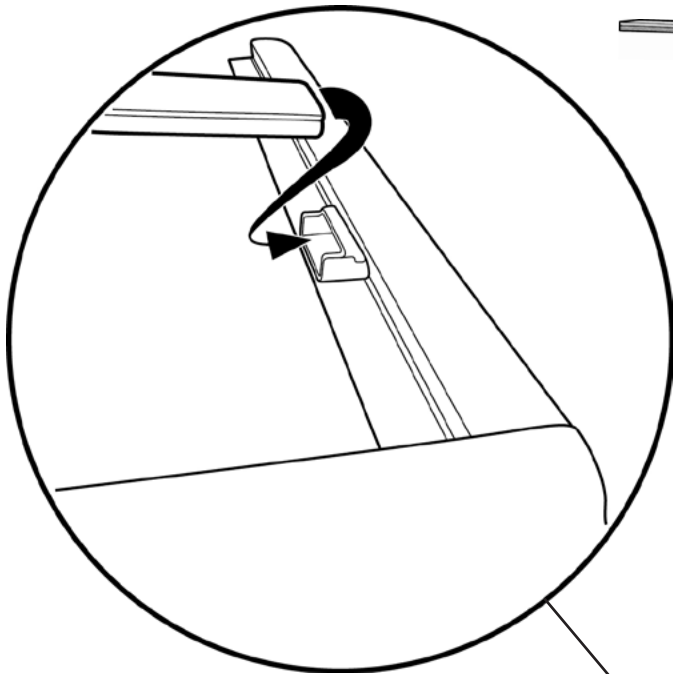
Make sure the window is centered in the opening and has a nice even gap and good seal contact on all sides.



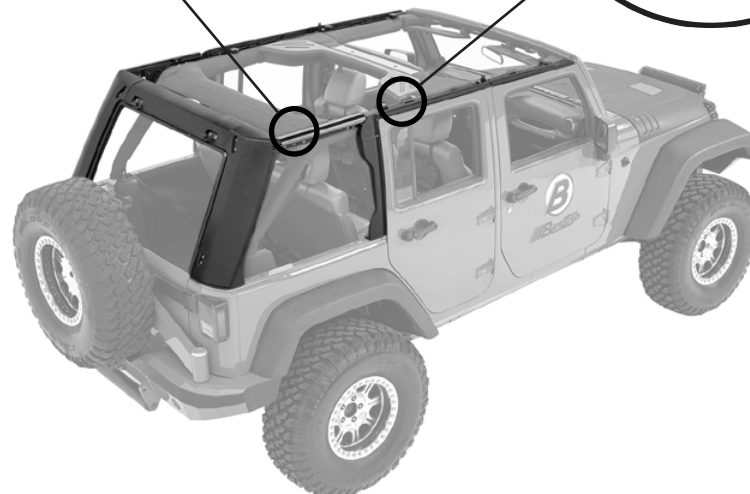
Hardware

Rear Arch Bow
Part #510.49
Qty. 1

Center Arch Bow
#483.27
Qty. 1



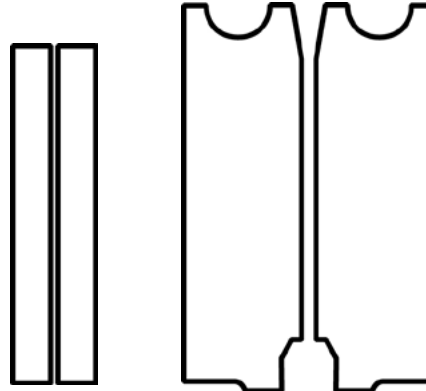
- ① Insert the Rear Arch Bow #510.49 into the plastic mounting slot on the near side Window Carrier.
- ② While pushing up in the middle of the bottom of the Bow;
- ③ Push the opposite end of the Bow inward to flex the Bow and insert it into the slot in the opposite side of the Window Carrier.



- ① Insert one end of the Top Arch into the slot in the middle of one of the Rear Door Surrounds.
- ② Push up from the bottom while
- ③ pushing the other end inward to flex the bow and insert into the slot in the Rear Door Surround on the other side of the vehicle.

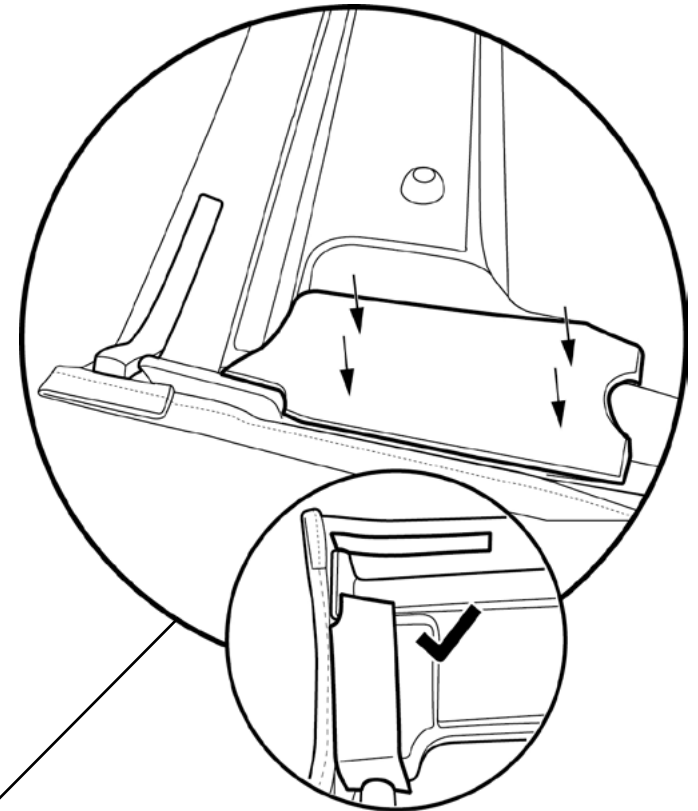
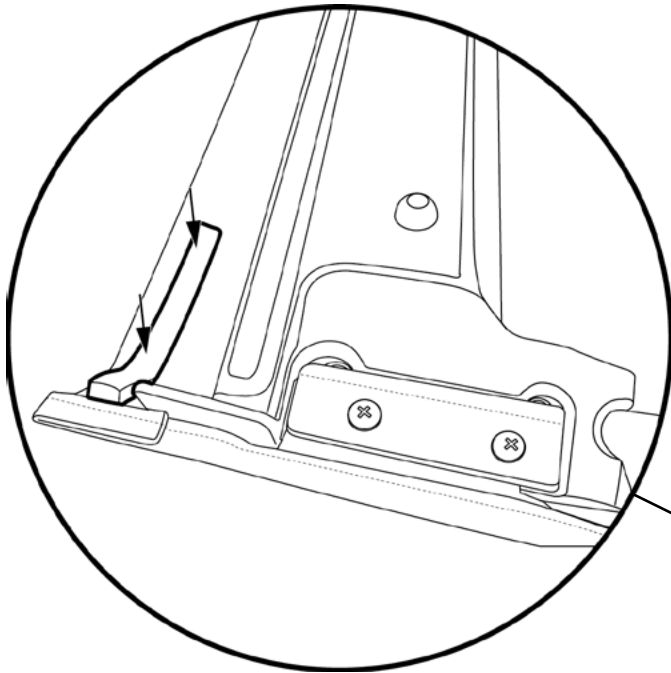
Remove and dispose of paper film.

Hardware



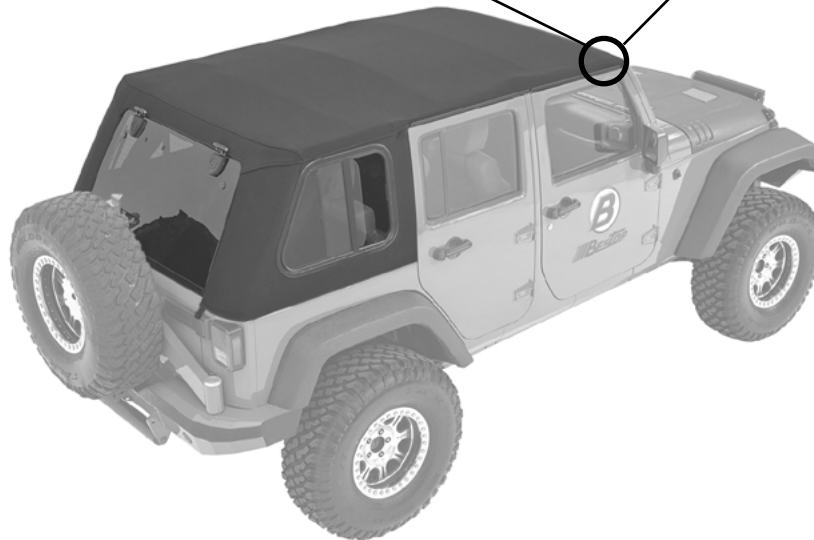
Foam Tape Strips
Part #417.43
Qty. 1 per side

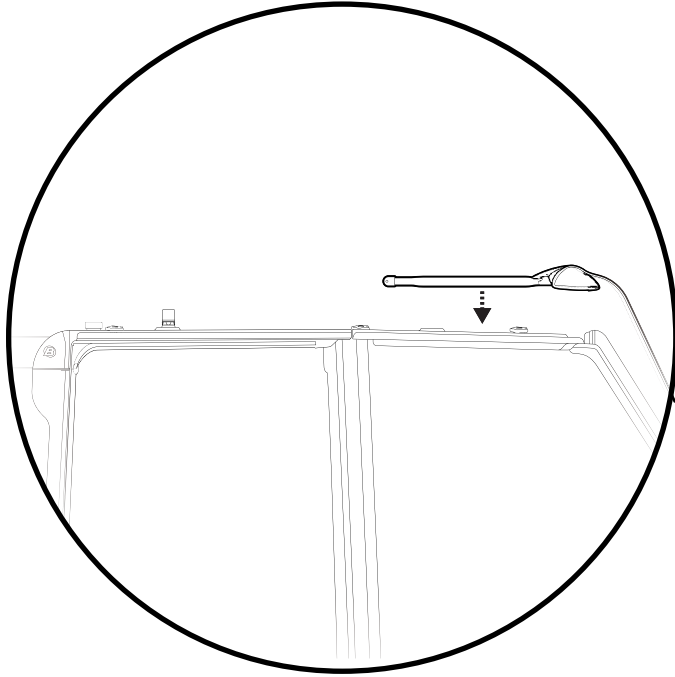
Foam Seals
Part #457.76 Right
Part # 457.77 Left
Qty. 1 per side



Peel the backing off the Foam Tape Strips #417.43 and install them on each side of the Header.

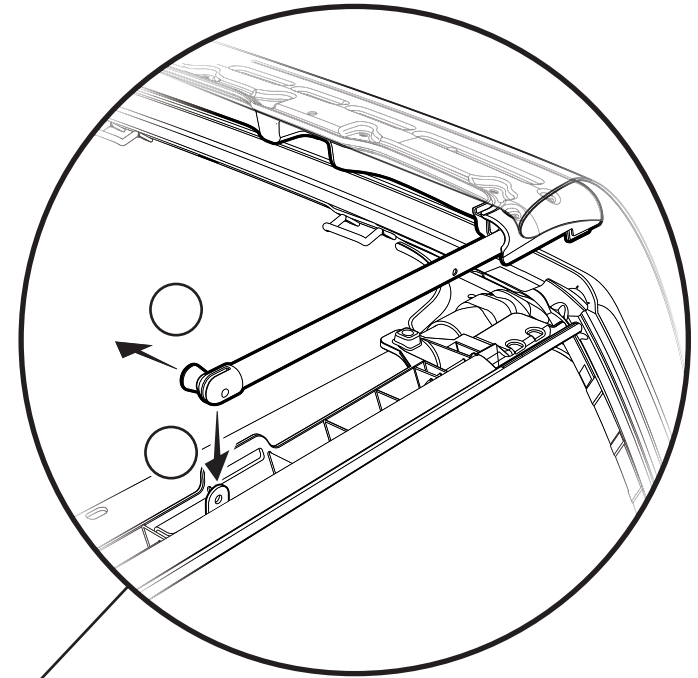
Peel the backing off the Foam Seals #457.76 and #457.77 and install them on each side of the Header as shown above.





Lift the Header/Side Bow Assembly onto the top of the Jeep, with the Header sitting on top of the the Jeep windshield, and the fabric draped forward over the Jeep hood.

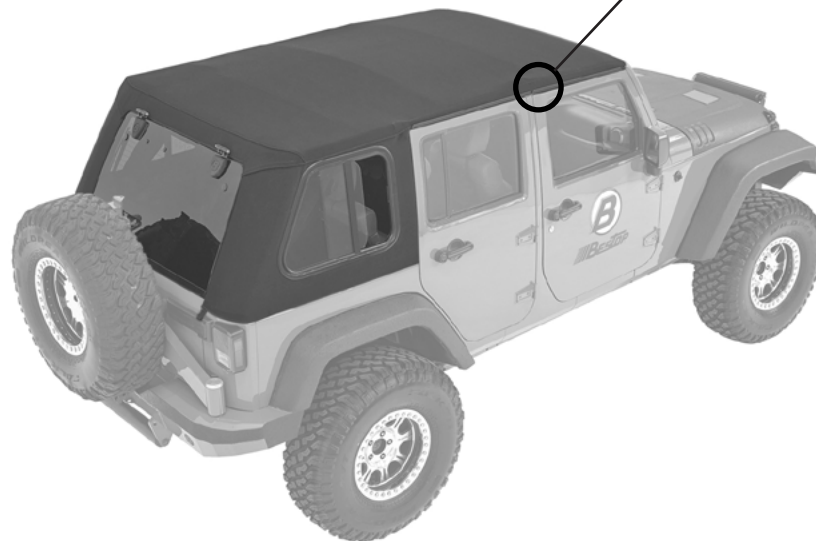
You may want to protect the finish of the Jeep by putting a blanket across the Jeep Hood.



Attach the right Side Bow to the Right Sunrider Pivot Bracket #544.18.

- ① Pull out on the spring catch release knob;
- ② Slide the slotted end of the Side Bow over the vertical tab on the Sunrider Pivot Bracket, and release the knob, making sure that the catch snaps into place on the Pivot Bracket tab.

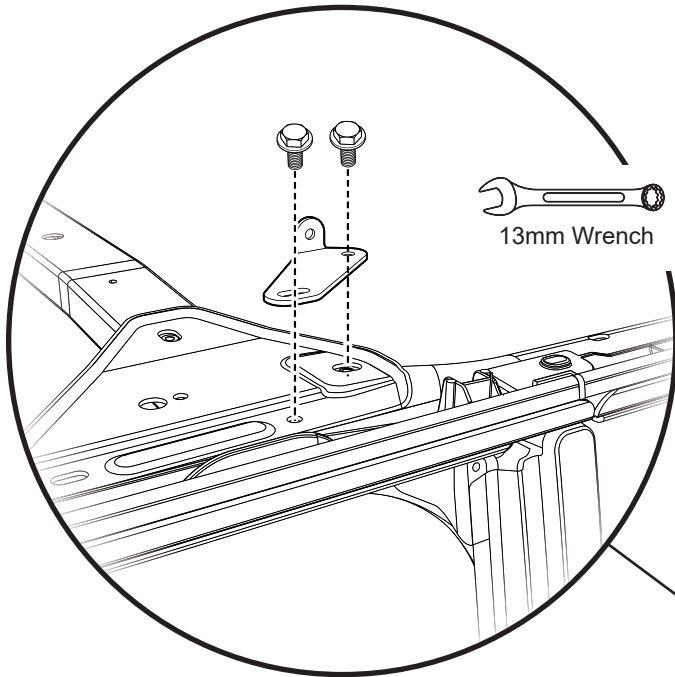
Repeat on the left side of the Jeep.



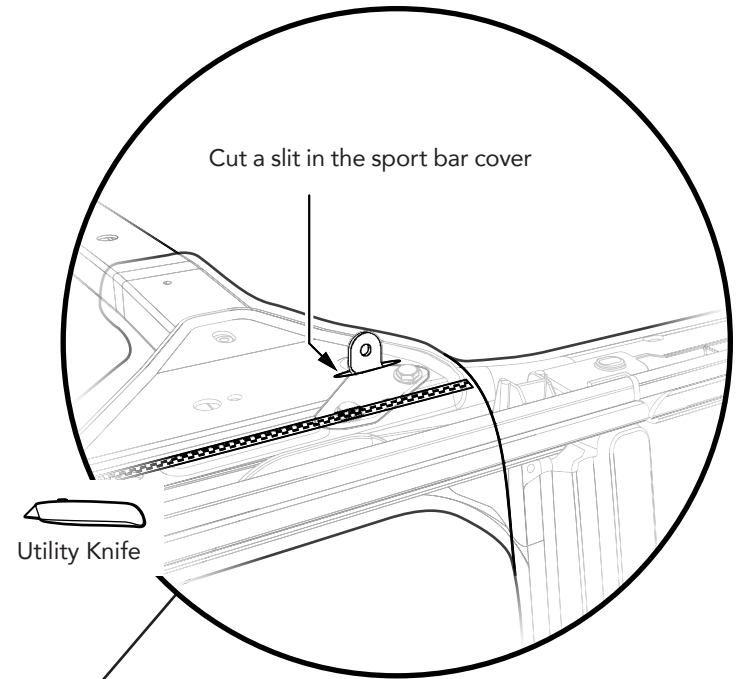
Hardware



#2 Bow Pivot Bracket
#541.88 - Right (shown)
#541.87 - Left
Qty. 1 per side



13mm Wrench



Cut a slit in the sport bar cover

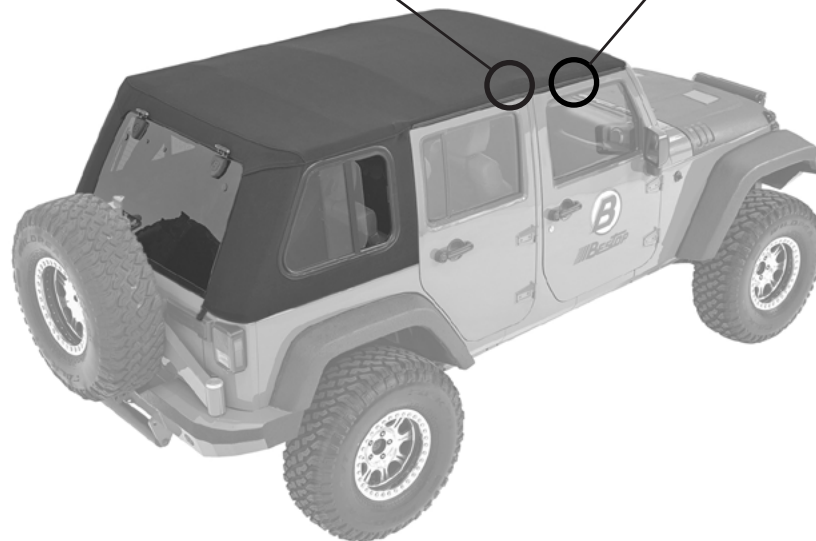
Utility Knife

Unzip the sport bar cover over the middle cross bar between the front and rear doors, to expose the sport bar corner plate, and two factory-installed hex-head bolts.

Remove these bolts on each side of the sport bar.

Attach the Right #2 Bow Pivot Bracket #541.88 to the right side sport bar plate using the two factory bolts.

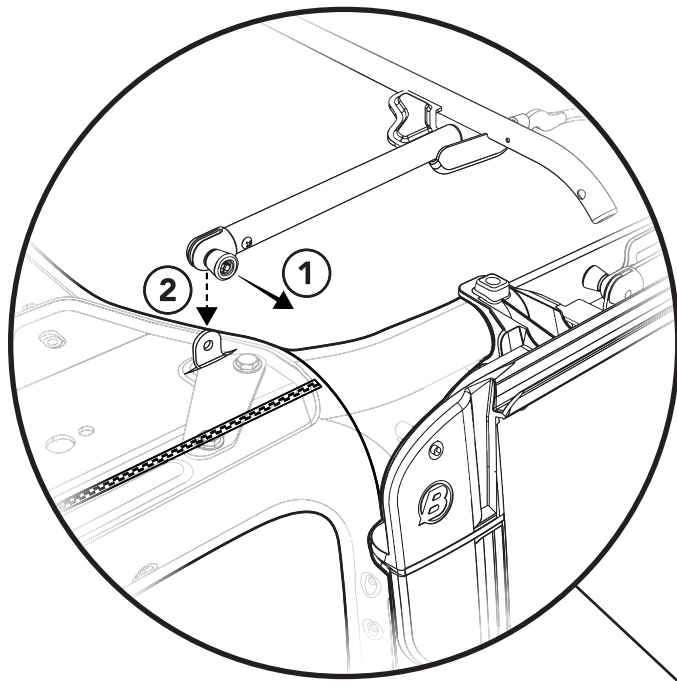
Repeat on the left side of the Jeep using the #541.87 Pivot Bracket.



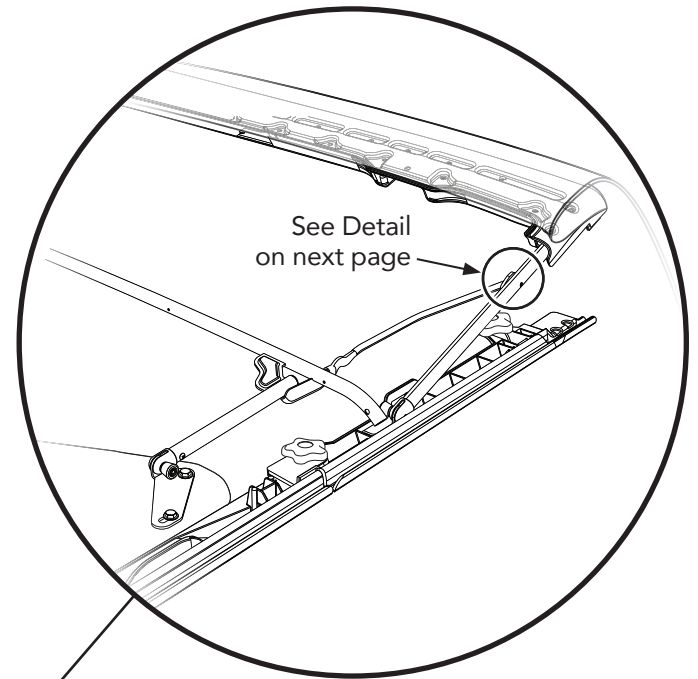
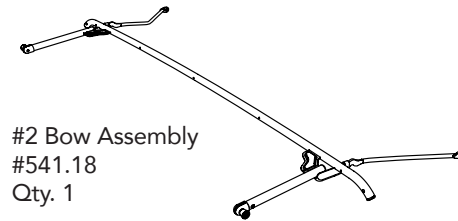
Zip the sport bar cover closed.

Locate the vertical tab on the #2 Bow Pivot Bracket, and cut a slit in the cover to allow this tab to protrude through the cover.

Repeat on the left side of the Jeep.



Hardware



Attach #2 Bow #541.18 to the #2 Bow Pivot Brackets on each side.

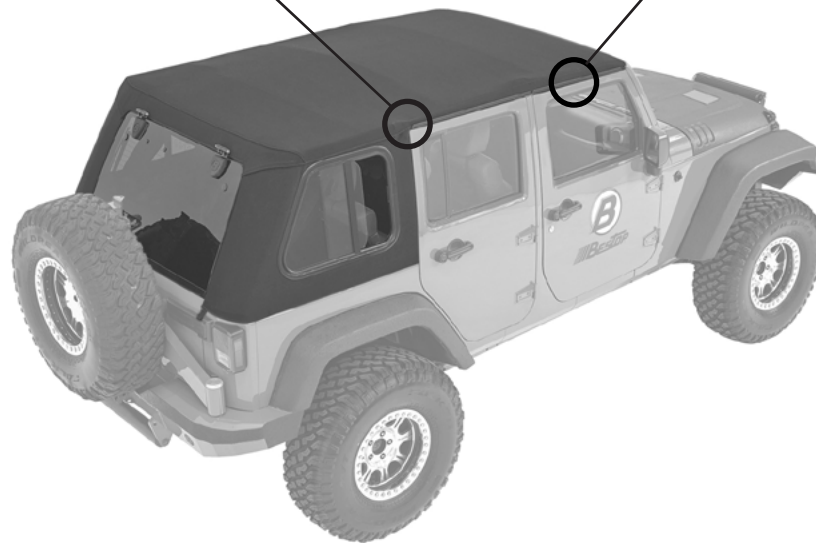
- ① Pull out on the knob to release the spring-loaded catch on the #2 Bow rear legs, and
- ② Slide the slotted end of the catch over the #2 Bow Pivot Bracket tab protruding from the sport bar cover.

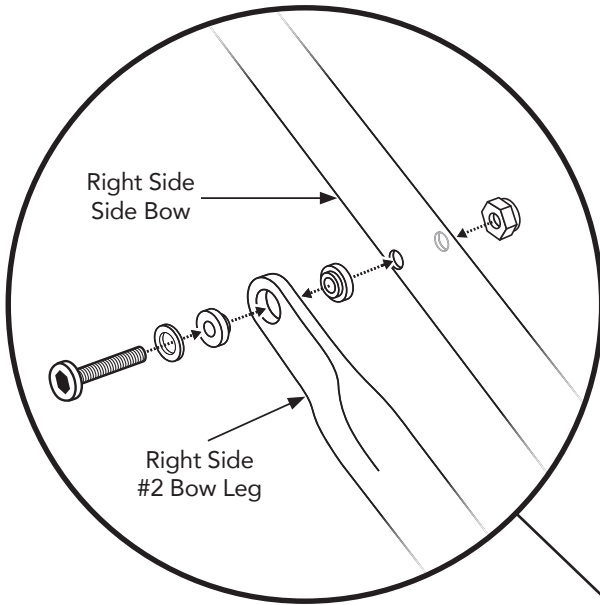
Make sure that the spring catch snaps into place on each #2 Bow Pivot Bracket tab.

Lift the Header/ Side Bow up and locate the hole in the Side Bow near the Header.

Using this hole in the Side Bow, attach the #2 Bow to the Side Bow.

See detailed instructions on the following page.





Detail

Secure the #2 Bow to the right Side Bow using one (1) 5x35mm Machine Screw #514.62, two (2) Plastic Bushings #473.40, one (1) M5 Flat Washer #575.27, and one (1) Nylon Lock Nut #308.62.

The Plastic Bushings go on both sides of the flat portion of the #2 Bow.





The flat washer goes between the screw and the plastic bushing.

The Nylon Lock Nut goes on the outboard side of the Side Bow.


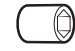

Repeat on the left side of the Jeep.

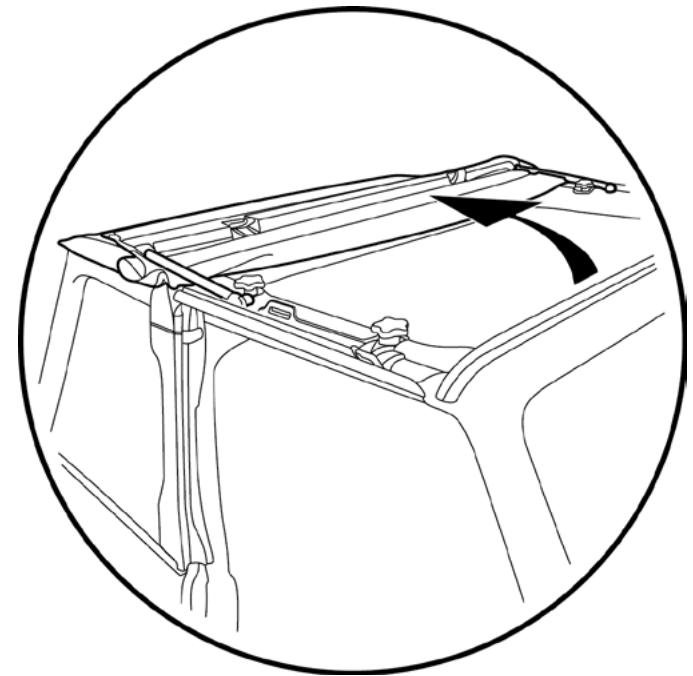
NOTE: Do not overtighten, to avoid damaging the plastic bushings.

Hardware

-  M5 x 35mm Screw
Part #514.62
Qty. 2t
-  Plastic Bushing
Part #473.40
Qty. 4
-  M5 Nylon Lock Nut
Part #526.76
Qty. 2
-  M5 Flat Washer
Part #575.27
Qty. 2

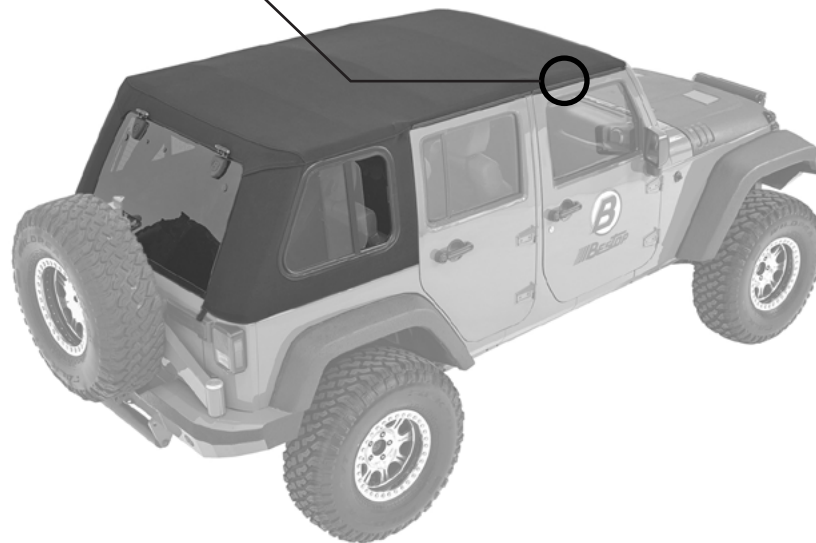
Tools

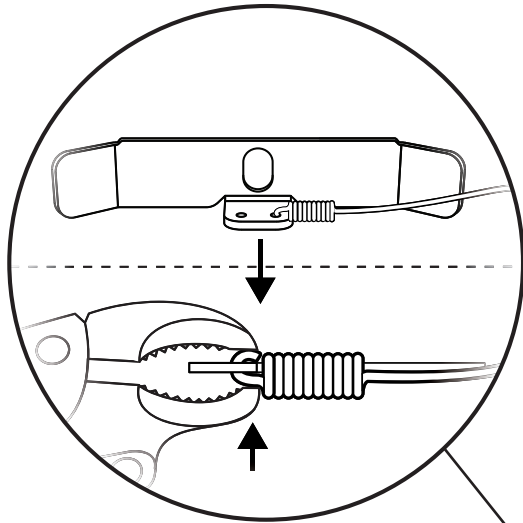
-  3mm Allen Wrench
-  8mm Socket
-  Ratchet



Lay the Top Fabric back across the top of the Jeep.

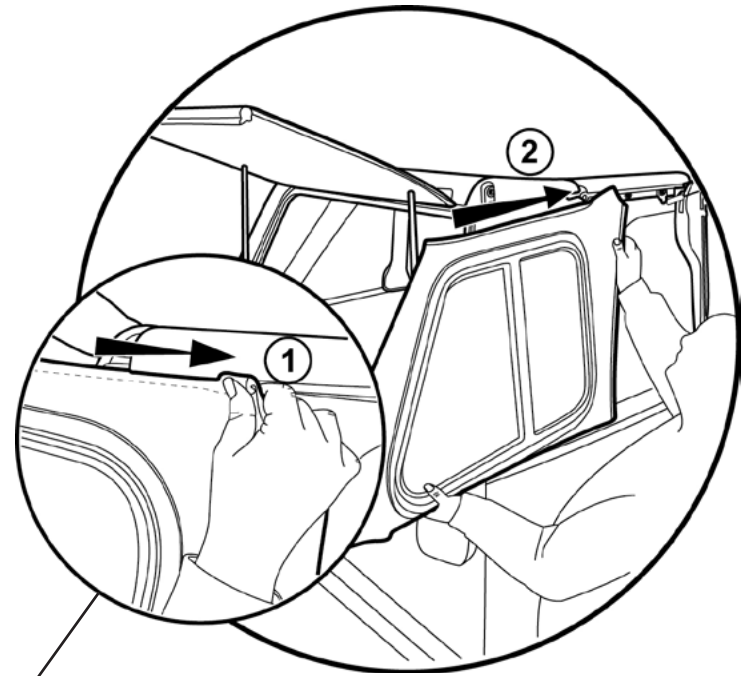
Open the Sunrider by folding the Header back.





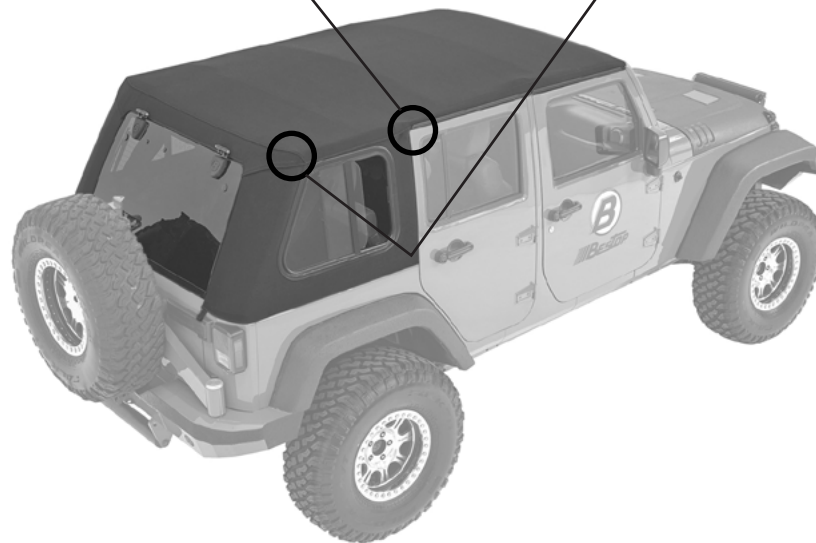
Hook the Cable Spring into the Cable Bracket on the Window Carrier. Crimp the spring to secure it to the Cable Bracket.

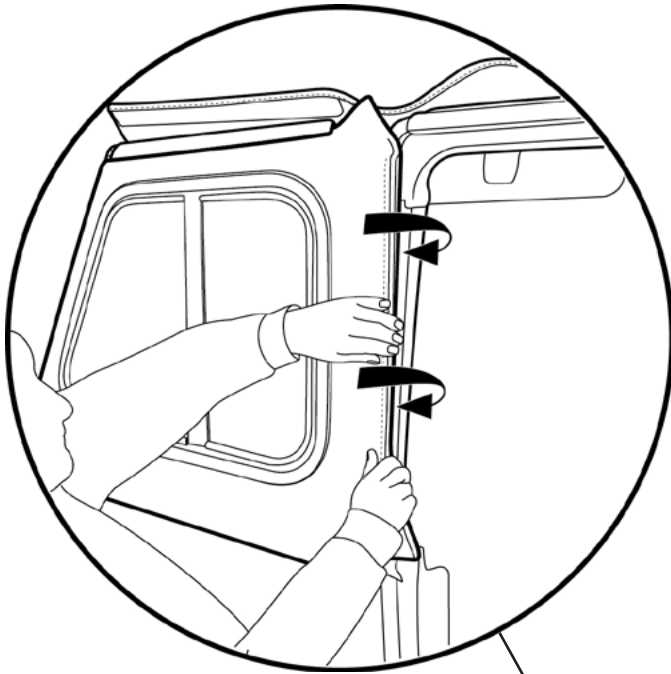
Repeat on both sides of the vehicle.



Start at the rear of the Window Carrier and slide the tube on the top of the Right Side Window into the slot in the Window Carrier.

Repeat on the left side of the vehicle.

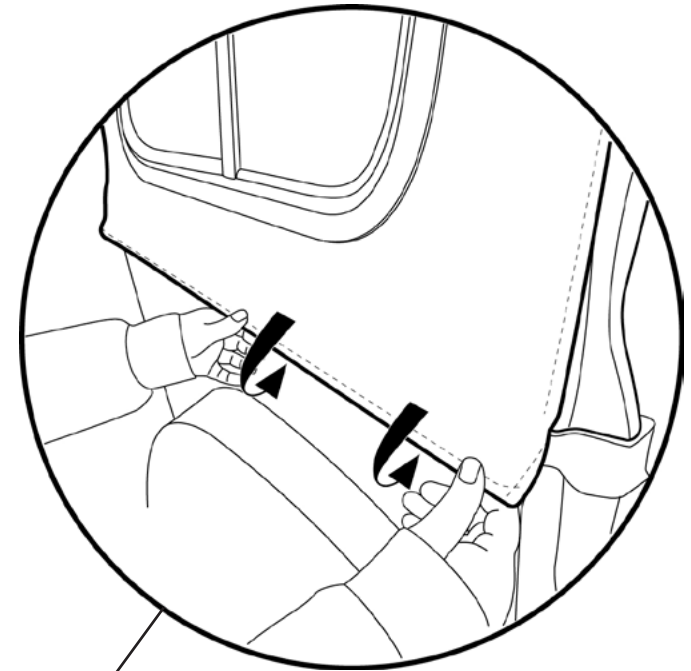




Roll the window retainer into the vertical slot on the front edge of the Door Surround.

You can adjust the window front-to-back if needed, but the fabric will be tight.

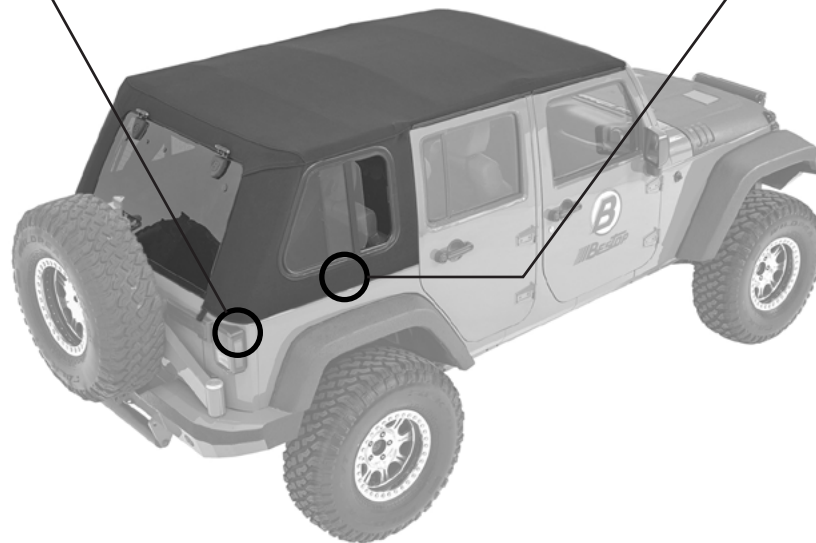
Repeat on the left side of the vehicle.

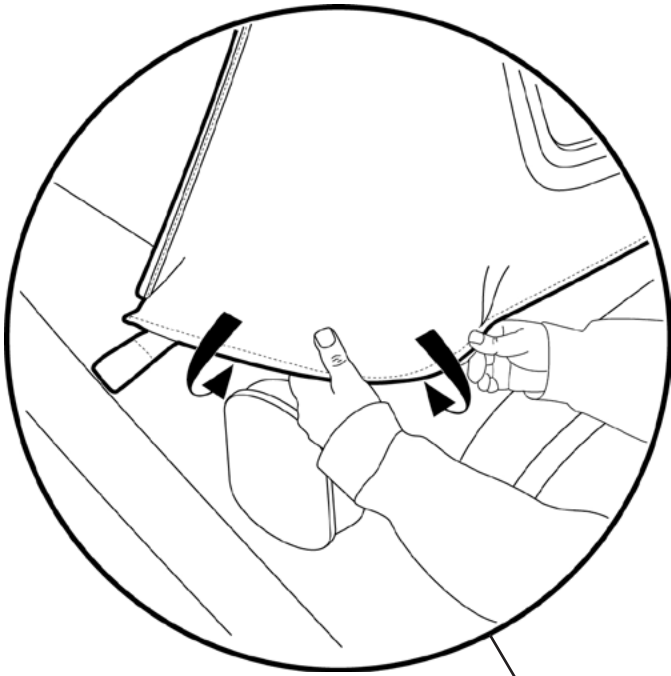


Start at the front and work from front to back to install the retainer along the bottom of the window. Tuck the retainer under the vehicle belt rail.

You can adjust the window front-to-back if needed but the fabric will be tight

Repeat on the both sides of the vehicle.

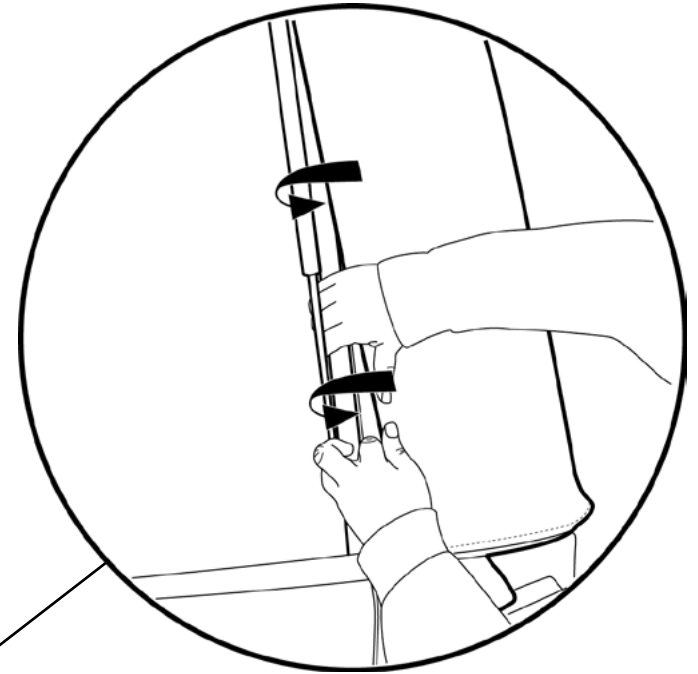




Install the rear corner retainer. Tuck the retainer under the vehicle belt rail.

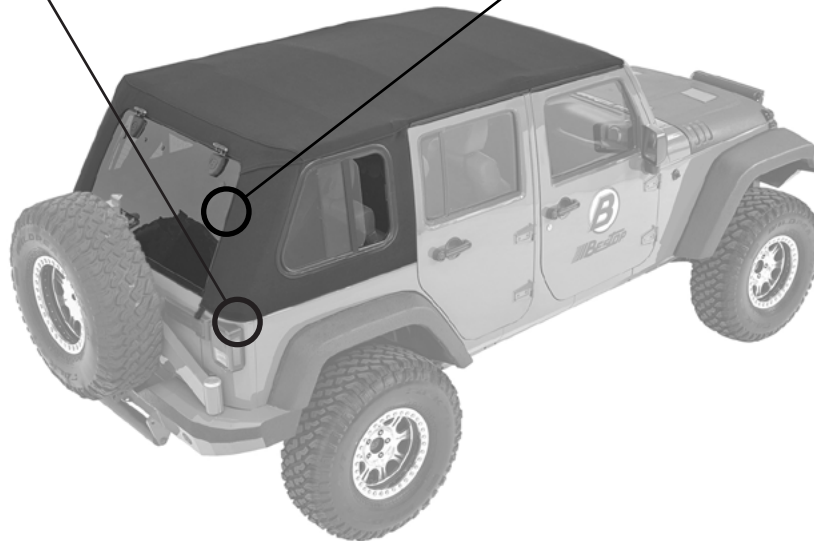
You can adjust the window front-to-back if needed but the fabric will be tight

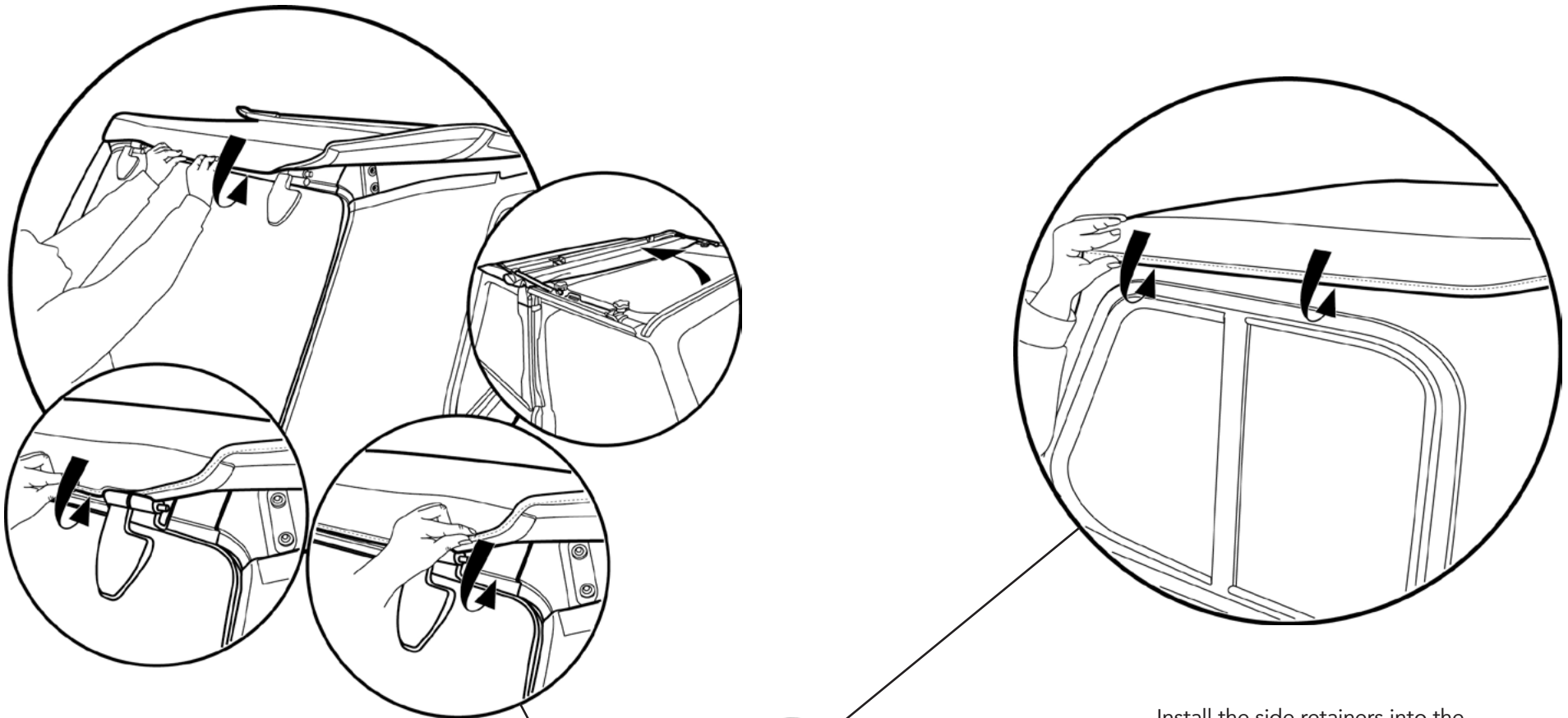
Repeat on the both sides of the vehicle.



Start at the bottom and roll the retainer into the slot in the Rear Halo. Work up from bottom to top.

Repeat on the both sides of the vehicle.

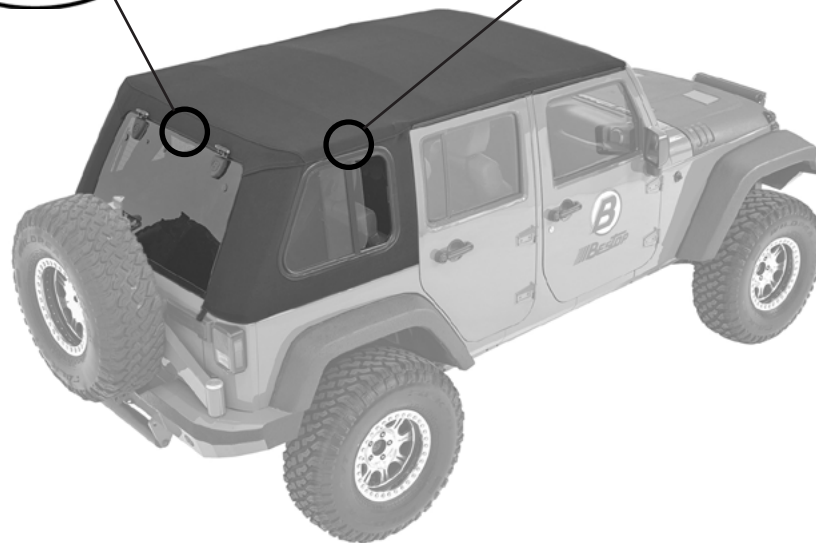


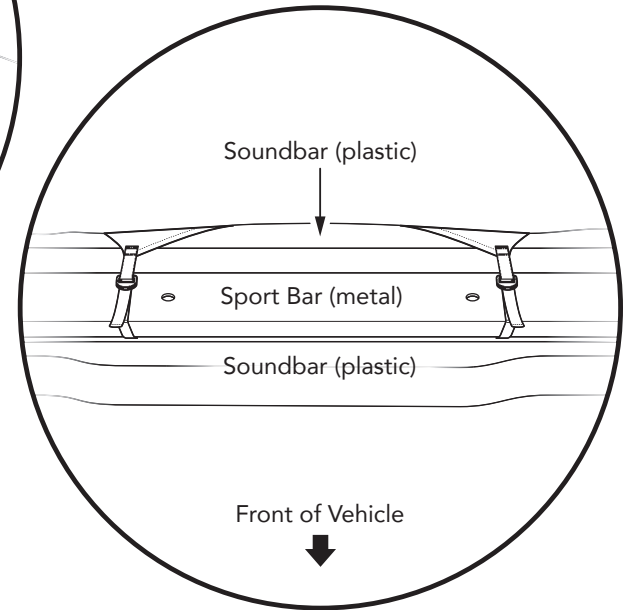
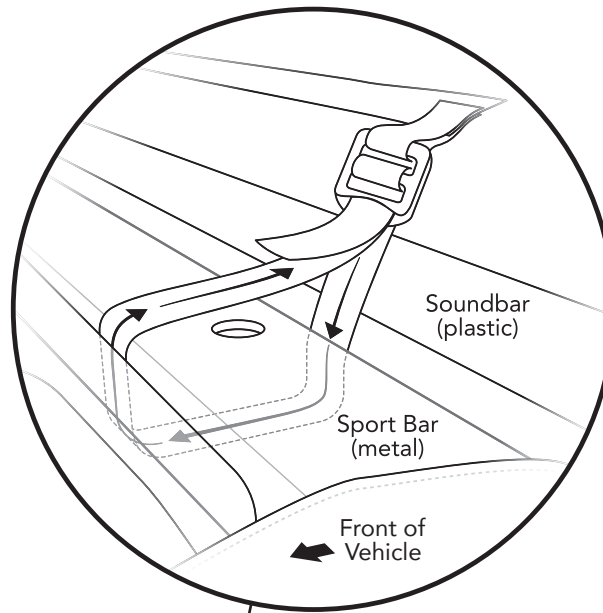
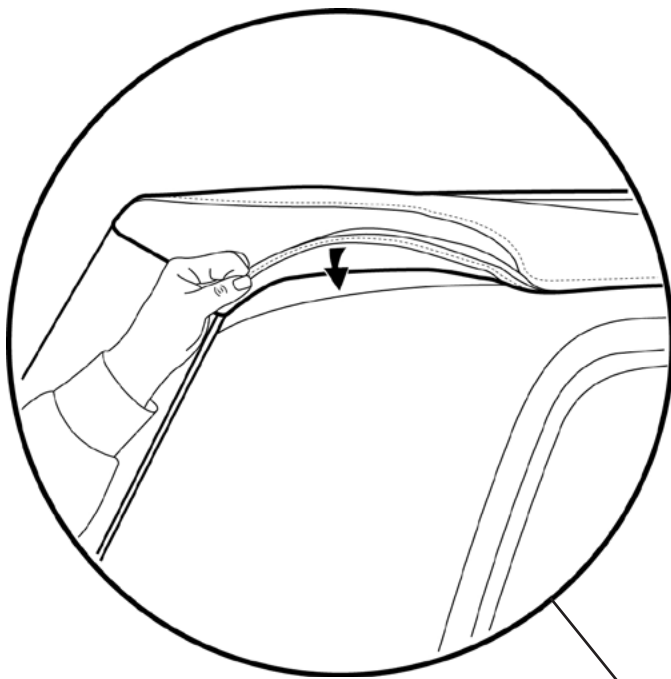


Start in the middle and roll the r etainer into the slot in the Rear Halo above the Rear Window hinges.

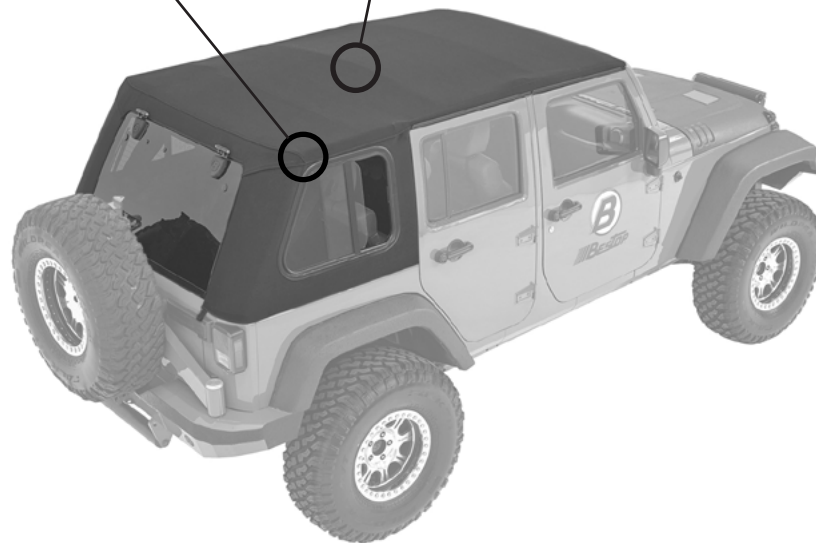
Operation is made easier if the Sunrider is open for both installation and removal of top and windows.

Install the side retainers into the Window Carrier



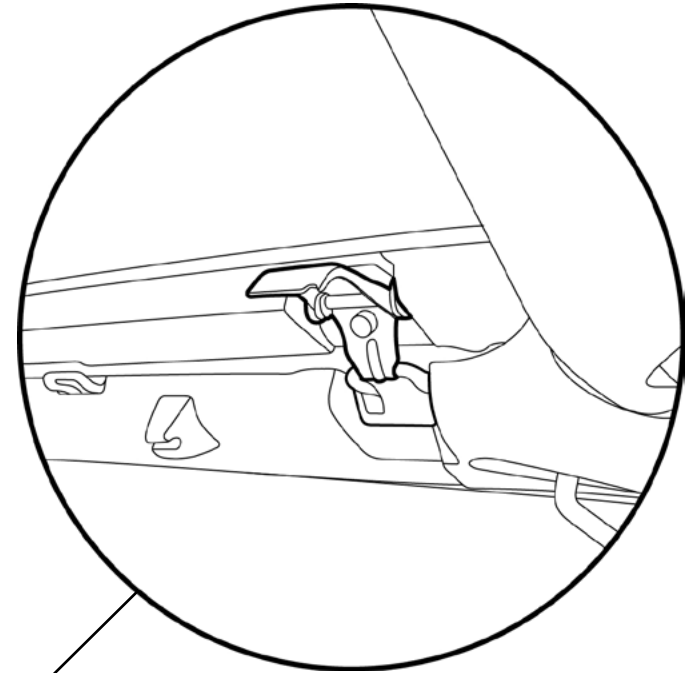
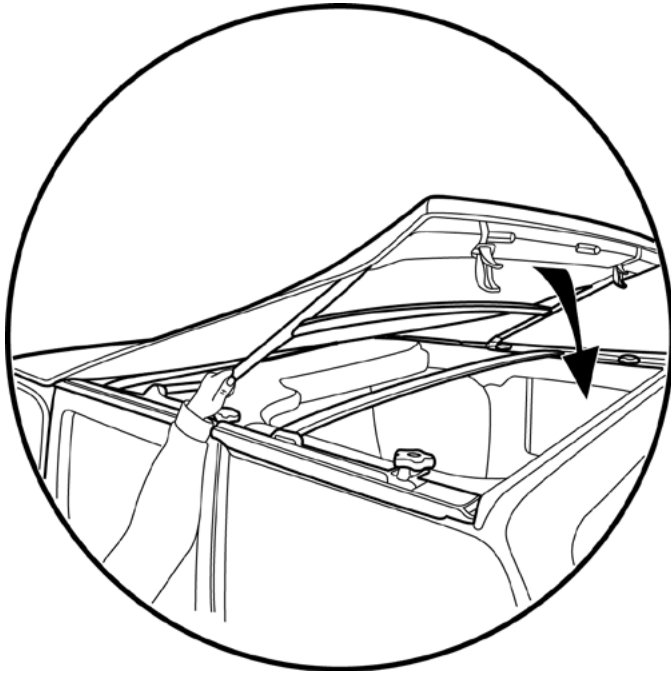


Engage rear corner hook-and-loop on both sides of the vehicle.

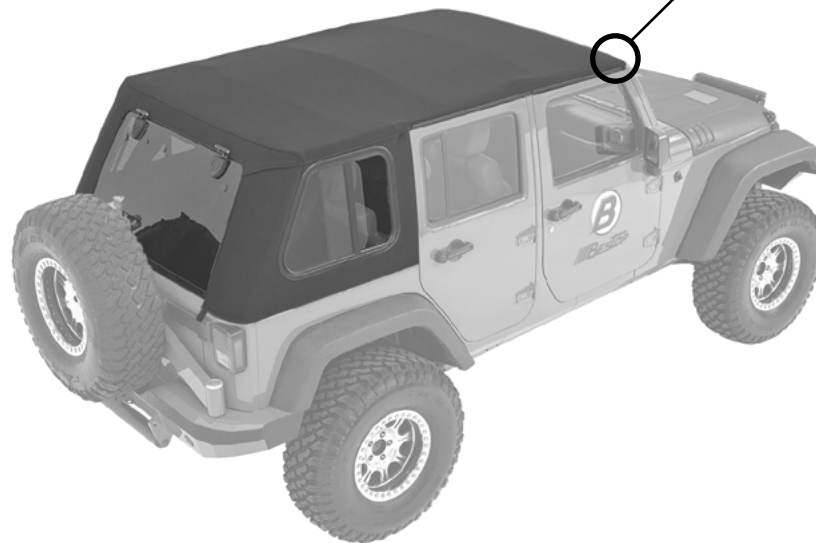


From the inside of the Jeep, locate the two straps with buckles attached to the inside of the top fabric. Wrap each strap around the metal portion of the soundbar and secure it to the buckle.

NOTE: Don't pull the straps too tight. Just snug them.



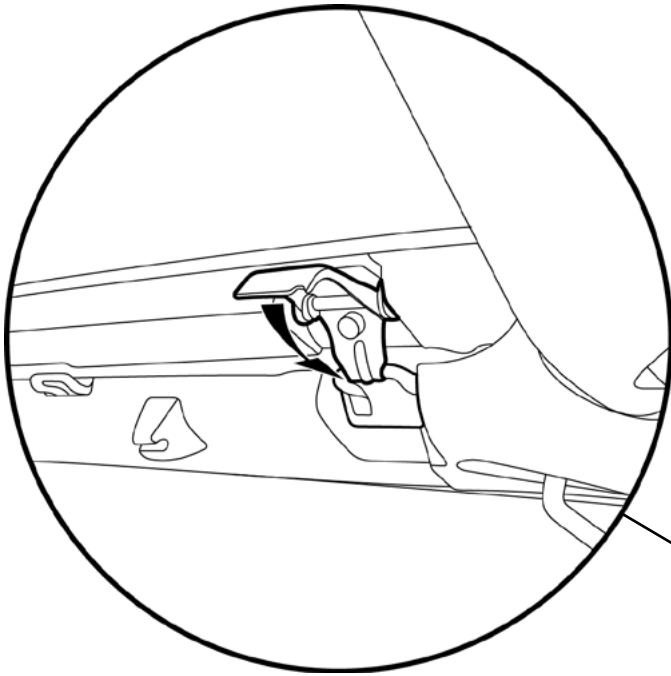
Close the Sunrider.



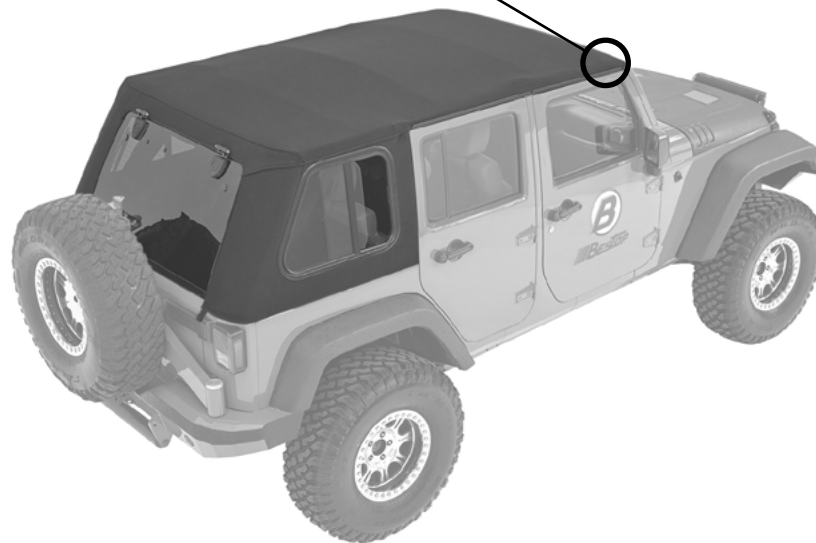
Hook the latches on the windshield header into the loops on the windshield.

Do not close the latch.

Repeat on the opposite side of the vehicle.



Close the latches on both sides of the windshield header.



Inspect the fabric fit to the vehicle.

The Trektop Pro hardware is designed for adjustment. You may find it helpful to perform some adjustments to improve the fabric fit.

Make sure to tighten all fasteners once adjustments have been made.

Original Soft Top Only



Model Years 2007 - 2010



Model Years 2011+

Original Soft Top Only

Purchase a MOPAR wiring harness (not included) and install according to MOPAR directions.

Model Years 2007-2010: #82210215

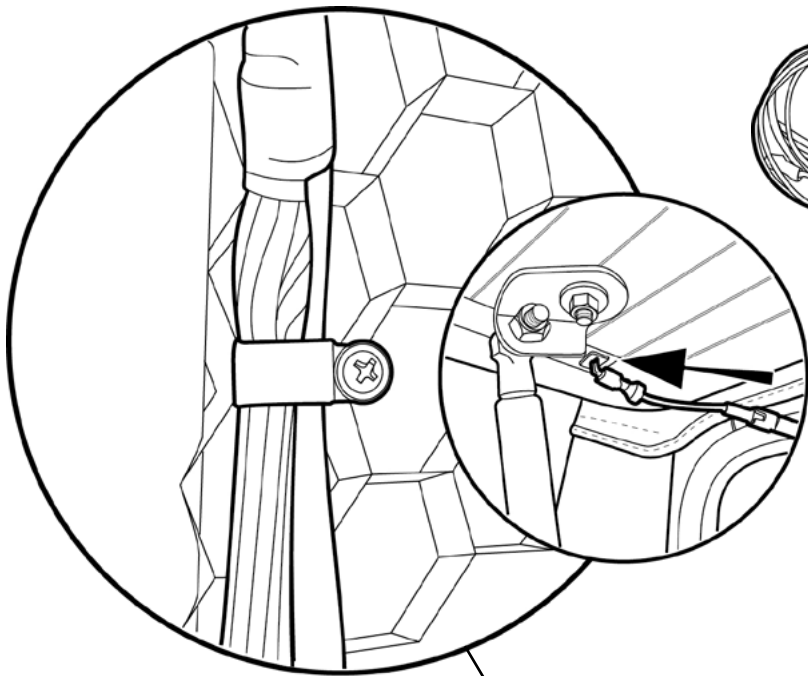
Model Years 2011+

- without heated mirror: #82212859

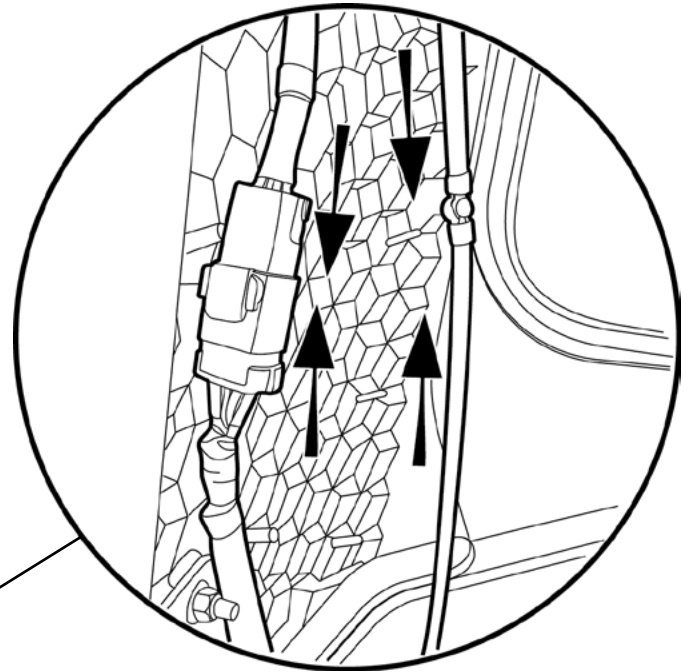
- with heated mirror: #82212860



Hardware



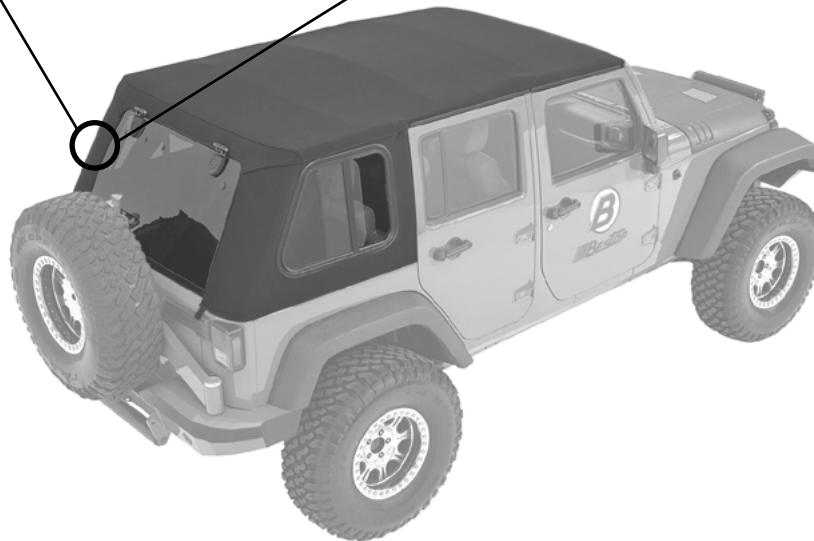
Jumper Harness
Part #510.18
Qty. 1



Attach Harness to Rear Glass heater grid terminals and route the wiring back to the existing OE harness.

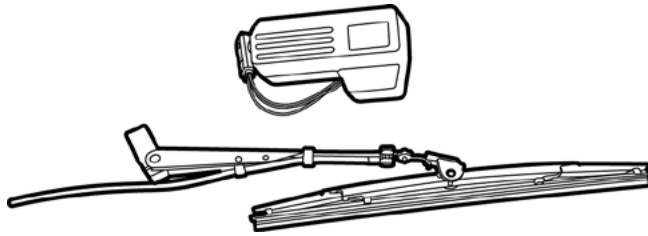
Use the "P" clips and the screws provided in the harness kit to route the wires.

Remove any caps covering the metal clip.



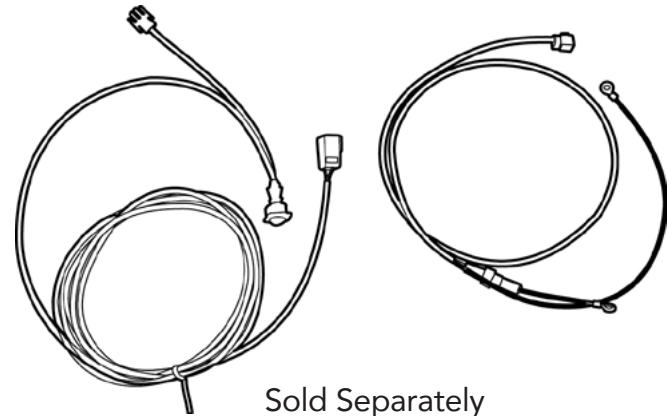
Attach Jumper Harness to existing vehicle wiring harness.

You will need to re-use the original washer fluid connector for the Trektop Pro washer fluid tube.



Sold Separately

5485801 Rear Wiper Motor Kit



Sold Separately

5485701 Heater Grid Only Harness



Care and Maintenance of your Bestop Product

Your Bestop product is made of the finest materials available. To keep it looking new and for the maximum possible wear, it will need periodic cleaning and maintenance.

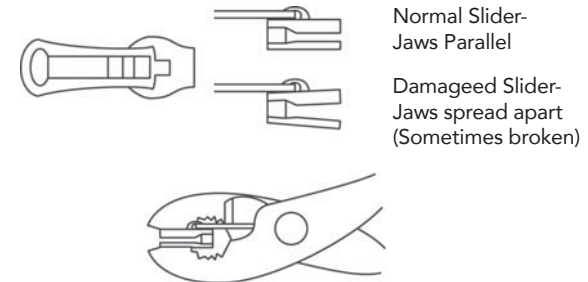
Fabric: The fabric should be washed often using soap, warm water and a soft bristle brush. Rinse with clear water to remove all traces of soap. Bestop recommends using Bestop Cleaner (part no. 11201-00) and Bestop Protectant (part no. 11202-00) for Vinyl fabric and Bestop Twill Protectant (part no. 11207-00) for Twill fabric. Bestop Cleaner and Bestop protectant are specially formulated to provide a total cleaning and protection system. Bestop Cleaner safely removes the toughest stains, will not harm vehicle finishes, is biodegradable and environmentally friendly. Bestop Protectant protects against UV-fading, cracking and hardening, and repels dust, grease, dirt and mildew.

Windows: Keep windows clean to avoid scratching. DO NOT use a brush on the windows! Wash with a water-soaked cloth or sponge and a mild dishwashing detergent. Bestop recommends Bestop Vinyl Window Cleaner (part no. 11203-00), which safely cleans and protects vinyl windows and helps prevent UV damage. NEVER WIPE THE WINDOWS WHEN THEY ARE DRY. Be careful when cleaning snow or frost from the vinyl windows since they are easily scratched and may crack at low temperatures. DO NOT roll the sides or rear window in cold weather. The windows become stiff and will crack. Cracks caused by misuse in cold temperatures are not covered under warranty.

Water: Seeping through at the seams may be stopped by applying 3-M Scotchgard® on the inside of the seams.

Snaps: Keep snaps cleaned and lubricated with silicone to help prevent snaps from sticking to the studs. If a snap does become stuck to a stud, use a screwdriver and GENTLY pry apart to prevent permanent damage to the snap or the top fabric.

Zippers: Keeping zippers cleaned and lubricated with Bestop's Zipper Cleaner (part no. 11206-00) will help prevent damage and keep the zippers in smooth working condition. If a zipper opens behind the slider, the slider may have been spread apart. This problem can usually be repaired by using an ordinary pair of pliers to bring the sides back into parallel. Return slider to the end of the zipper in the normal Open position. Squeeze lightly at first and test the zipper. If the zipper continues to remain open squeeze more firmly with the pliers and try the zipper again. Repeat this procedure until the zipper operates correctly.



For Bestop Warranty Information, Please go to;
<https://www.bestop.com/help/warranty-information/>

