



Installation Instructions Factory Style Bow Kit

Vehicle Application:
Jeep® JK Wrangler 2007-2018
Part Number 55000

Installation Tips

Before you begin installing your new Factory Style Bow Kit, please read all the instructions thoroughly.

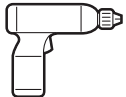


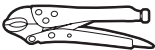
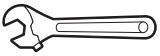

⚠ WARNING Do not rely in any way on the components of this product to protect against injury or death in the event of an accident. Never operate the vehicle in excess of manufacturer’s specifications.


Read and follow, precisely, all installation instructions provided when installing this product. Failure to do so may result in a poor fit and could place occupants of the vehicle in a potentially dangerous situation.



WEAR SEAT BELTS AT ALL TIMES

⚠ CAUTION Safety glasses should be worn at all times when installing this product.

Tools			
			
Drill Driver & #2 Phillips Bit	#2 Phillips Screwdriver	T30 and T40 Torx Drivers	Vise-Grips
			
Adjustable Wrench	Safety Glasses		

Installation Time
 2 Hours

Skill Level
<div style="display: flex; justify-content: space-around; align-items: center;"> 1 2 3 4 </div> <p>2 - Moderatly Easy</p>

Support
<p>We’re here to help! Go to: https://www.bestop.com and click on Need Help?</p>

<p>https://www.bestop.com/video-library</p>



Installation Instructions Factory Style Bow Kit

Vehicle Application:
Jeep® JK Wrangler 2007-2018
Part Number 55000

Sugerencias de Instalación

Antes de empezar a instalar esta unidad, lea atentamente todas las instrucciones.

Para un buen ajuste:

Para facilitar la instalación, el producto debe instalarse a temperaturas superiores a 72 °F (22 °C).

Por debajo de esta temperatura, la tela puede encogerse una pulgada o más, lo que dificultaría su ajuste al vehículo.

Es normal que la tela se contraiga o arrugue cuando está guardada en la caja de empaque. A los pocos días después de la instalación, la tela se relajará y las arrugas desaparecerán.



ADVERTENCIA

Este producto se diseñó principalmente para mejorar la apariencia del vehículo y proteger a los ocupantes de las condiciones climáticas comunes. De ninguna manera piense que los componentes de este producto pueden servir como medio de contención para los ocupantes del vehículo o que pueden protegerlos contra lesiones o la muerte en caso de accidente. Este producto no protegerá a los ocupantes contra caídas de objetos. Nunca conduzca este vehículo fuera de las especificaciones del fabricante.

USE LOS CINTURONES DE SEGURIDAD EN TODO MOMENTO

Lea y siga con precisión todas las instrucciones de instalación que se proporcionan para instalar este producto. Si no lo hace, podría producirse un mal ajuste que colocaría a los ocupantes del vehículo en una situación potencialmente peligrosa.



PRECAUCIÓN

Debe usar gafas protectoras en todo momento durante la instalación de este producto.

Conseils pour l'installation

Lire toutes les instructions au complet avant de commencer l'installation de cet assemblage.

Pour un ajustement sans problème :

Afin de faciliter l'installation, ce produit doit être installé à des températures au-dessus de 72 °F (22 °C).

Sous cette température, le tissu peut rétrécir d'un pouce (2,5 cm) ou plus, ce qui rendra l'ajustement sur le véhicule difficile.

Il est normal que le tissu rétrécisse et plisse pendant qu'il est dans la boîte d'expédition. En quelques jours après l'installation, le tissu se détendra et les plis disparaîtront.



AVERTISSEMENT

Ce produit est conçu principalement pour améliorer l'apparence du véhicule et pour protéger les occupants des conditions météorologiques usuelles. Ne jamais se fier aux composants de ce produit pour se protéger de blessures ou de la mort en cas d'accident. Ce produit ne protégera pas les occupants des chutes d'objets. Ne jamais utiliser le véhicule au-delà des caractéristiques techniques indiquées par le fabricant.

PORTER UNE CEINTURE DE SÉCURITÉ EN TOUT TEMPS

Lire et suivre, très fidèlement, toutes les instructions d'installation fournies lors de l'installation de ce produit. Ne pas suivre cette consigne peut causer une installation inadéquate et mettre les occupants du véhicule dans une situation potentiellement dangereuse.



MISE EN GARDE

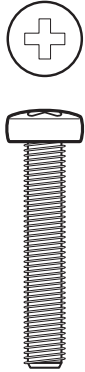
Des lunettes de sécurité doivent être portées en tout temps lors de l'installation de ce produit.



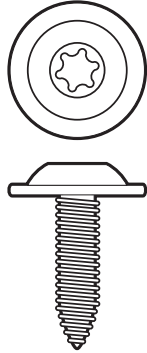
Installation Instructions Factory Style Bow Kit

Vehicle Application:
Jeep® JK Wrangler 2007-2018
Part Number 55000

Parts List



M5 x 30 Screw
Qty. 2
Part # 308.87



Bow Mount Screw
Qty. 4
Part # 308.64



Pan Head
Washer Screw
Qty. 23
Part # 393.79



Plastic Bushing
Qty. 4
Part # 473.40



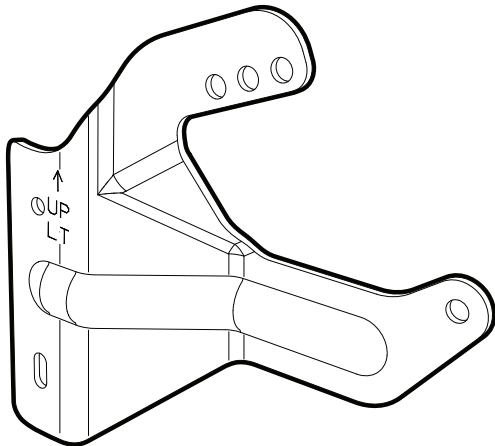
M5 Nylock Nut
Qty. 2
Part # 308.62



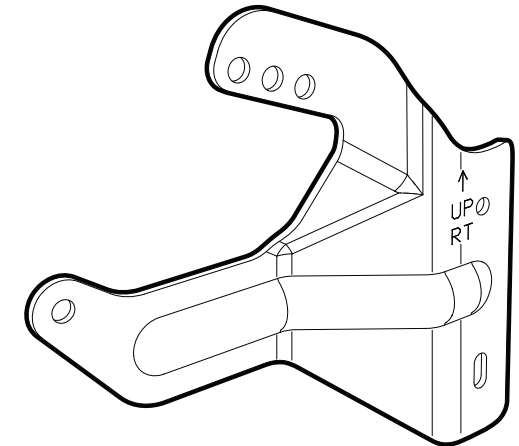
Self-Drill Screw
Qty. 2
Part # 312.09



#8 x 1/2" Screw
Qty. 27
Part # 459.03



Bow Mount Bracket
Qty. 1
Part # 482.89 - Left



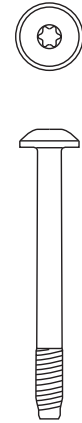
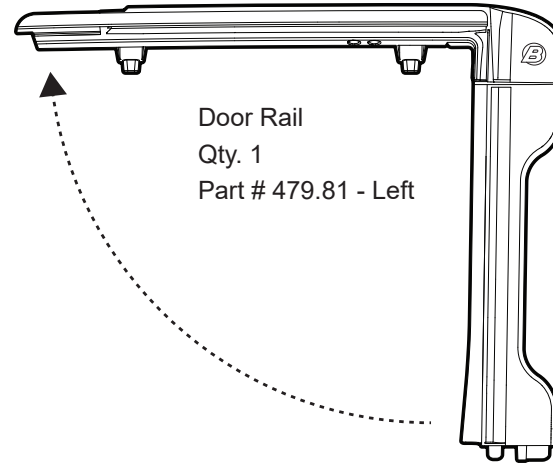
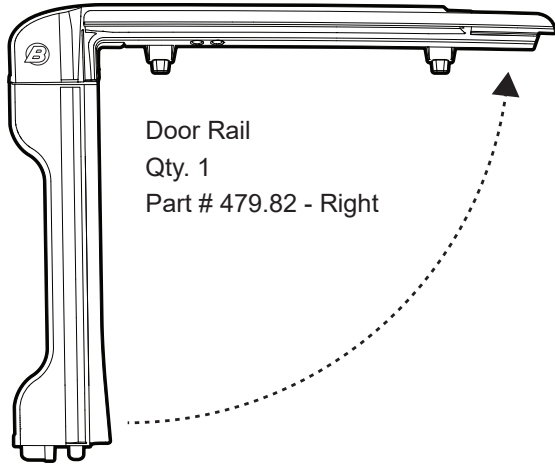
Bow Mount Bracket
Qty. 1
Part # 482.88 - Right



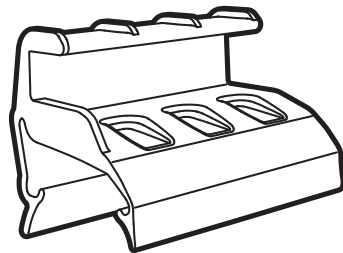
Installation Instructions Factory Style Bow Kit

Vehicle Application:
Jeep® JK Wrangler 2007-2018
Part Number 55000

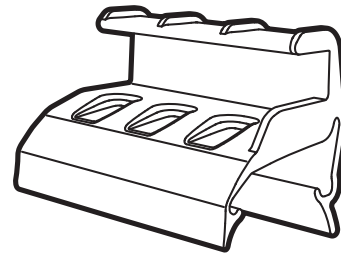
Parts List



M8 x 80mm Screw
Qty. 4
Part # 532.23



Tailgate Bar Mount
Qty. 1
Part # 488.47 - Left



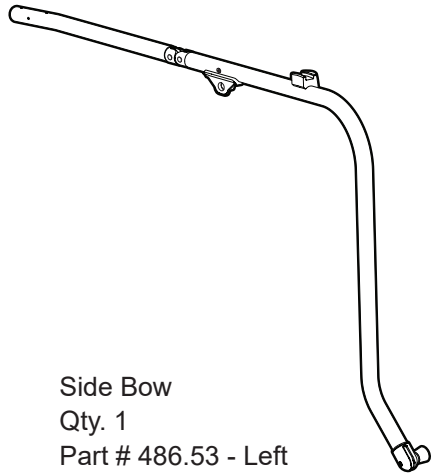
Tailgate Bar Mount
Qty. 1
Part # 488.46 - Right



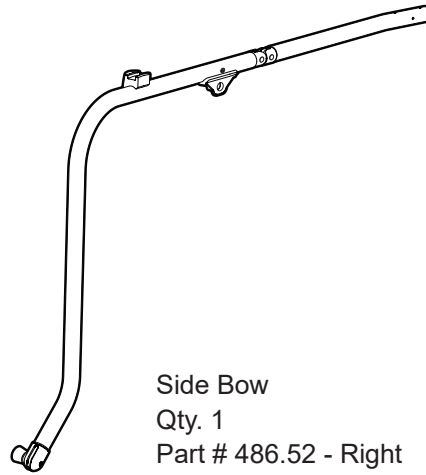
Installation Instructions Factory Style Bow Kit

Vehicle Application:
Jeep® JK Wrangler 2007-2018
Part Number 55000

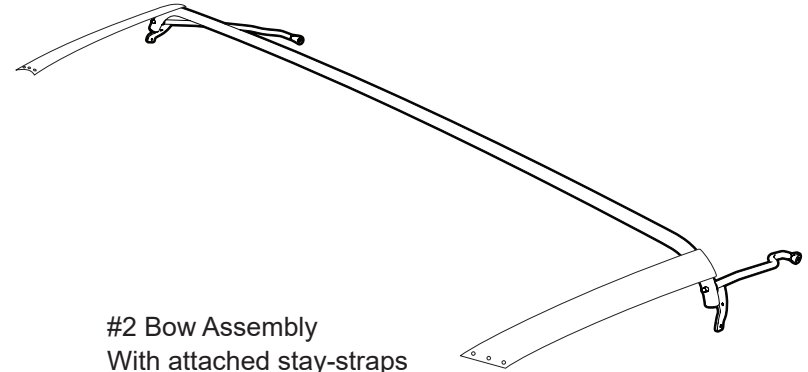
Parts List



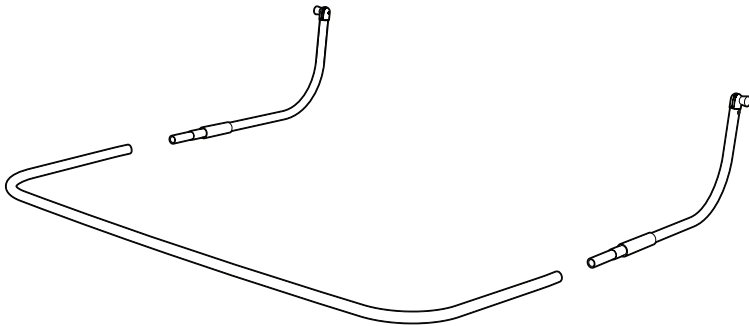
Side Bow
Qty. 1
Part # 486.53 - Left



Side Bow
Qty. 1
Part # 486.52 - Right



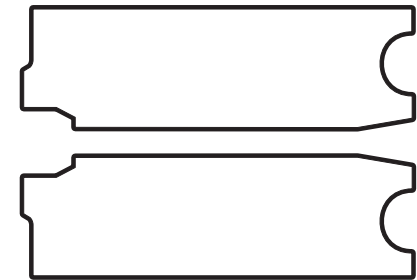
#2 Bow Assembly
With attached stay-strings
Qty. 1
Part # 459.30



Rear Bow Assembly
Qty. 1 (3 pieces)
Part # 486.54



Foam Tape Strips
Qty. 2
Part # 417.43



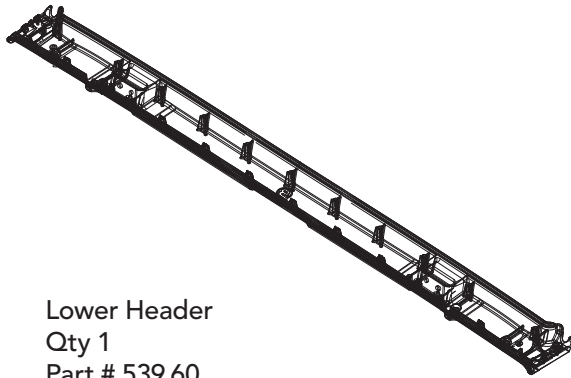
Foam Seals
Qty. 1 per side
Part # 457.76 (R) & 457.77(L)



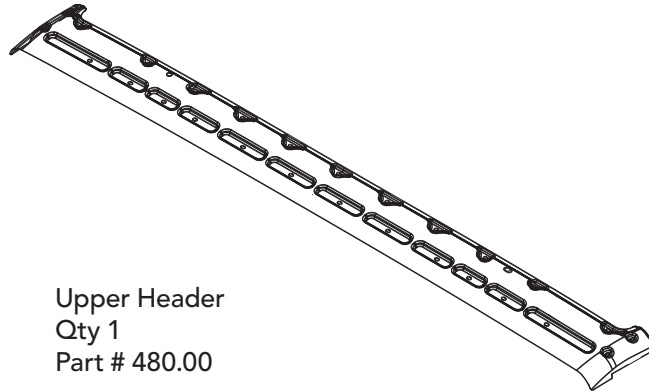
Installation Instructions Factory Style Bow Kit

Vehicle Application:
Jeep® JK Wrangler 2007-2018
Part Number 55000

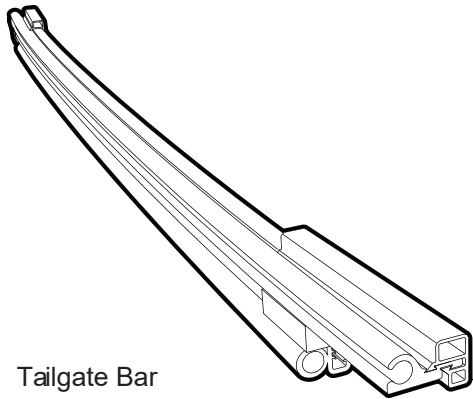
Parts List



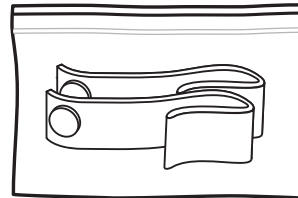
Lower Header
Qty 1
Part # 539.60



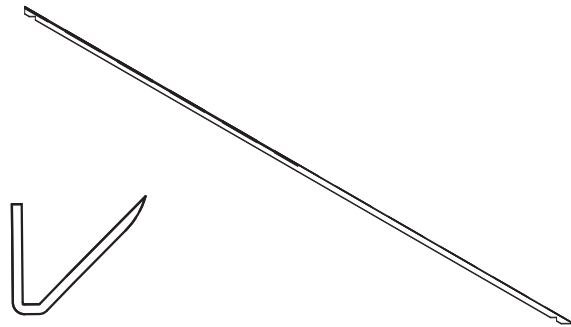
Upper Header
Qty 1
Part # 480.00



Tailgate Bar
Qty. 1
Part #489.46



Strap Kit
Qty. 1
Part #386.90



End View

Edge Protector
Qty 1
Part # 481.90

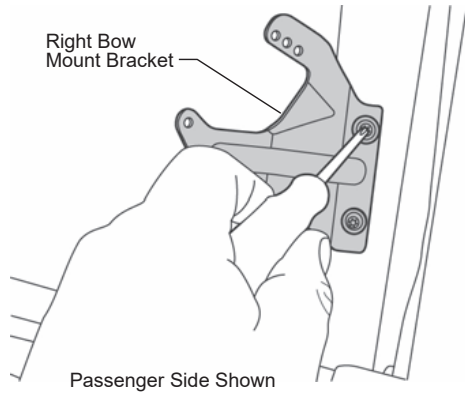


Installation Instructions Factory Style Bow Kit

Vehicle Application:
Jeep® JK Wrangler 2007-2018
Part Number 55000

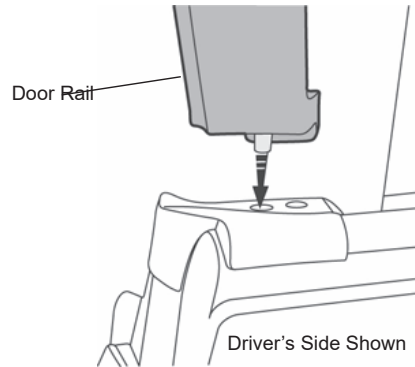
1 Install Bow Mount Brackets on Sport Bars

Unzip the sport bar cover, if equipped.
Use Bow Mount Screws to install Bow Mount Brackets on rear sport bar.



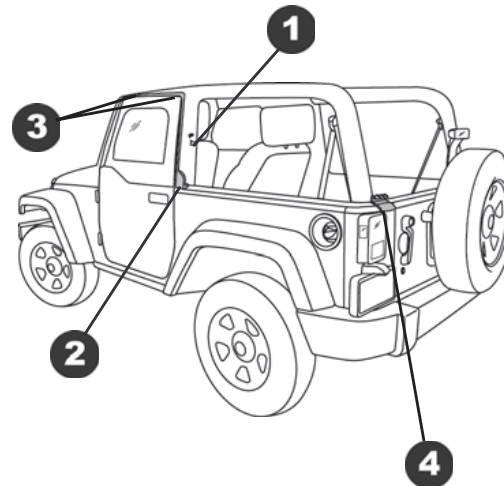
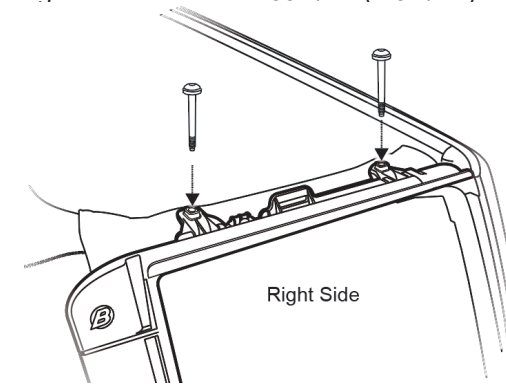
2 Install Door Rails

Locate the left and right Door Rails. Insert the pin in the bottom of the Door Rail into the hole in the belt rail behind the door.



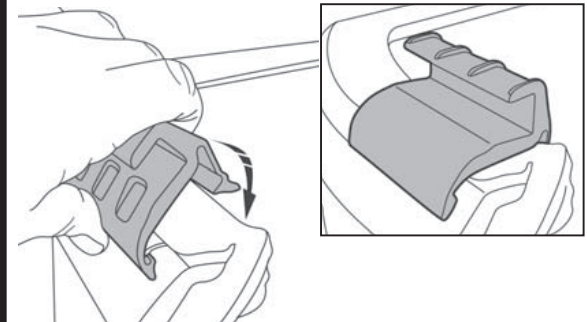
3 Secure Door Rail

Press the channels along the top of the Door Rail around the horizontal sport bar, above the door opening. Insert two Screws into the Door Rail and tighten them down to 55in/lbs (4.5in/lbs).



4 Install Tailgate Bar Mounts

Locate the left and right Tailgate Bar Mounts. Orient them on the vehicle. Hook the bottom of one mount under the belt rail and roll it toward the inside of the vehicle until it clips into place. Repeat this with the other Tailgate Bar Mount.



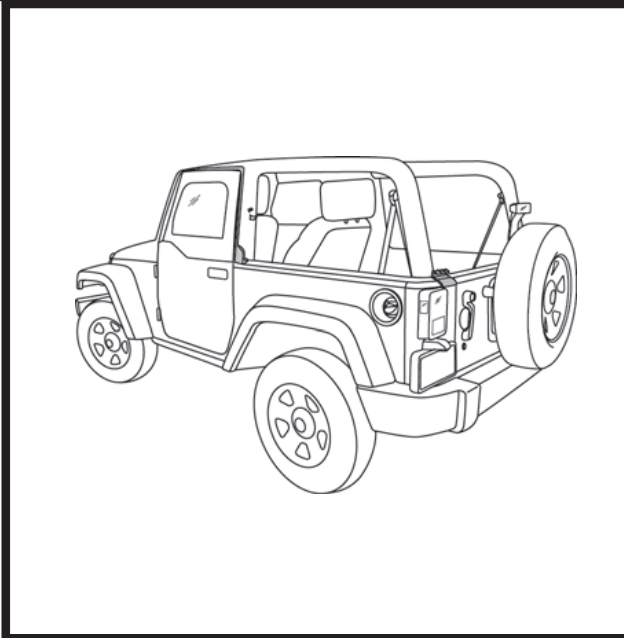
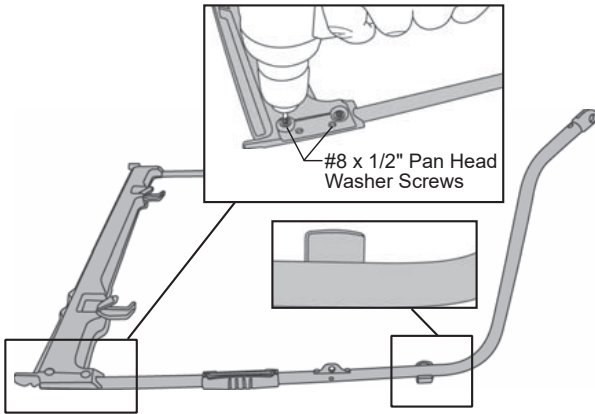


Installation Instructions Factory Style Bow Kit

Vehicle Application:
Jeep® JK Wrangler 2007-2018
Part Number 55000

5 Mount Side Bows to Header Assembly

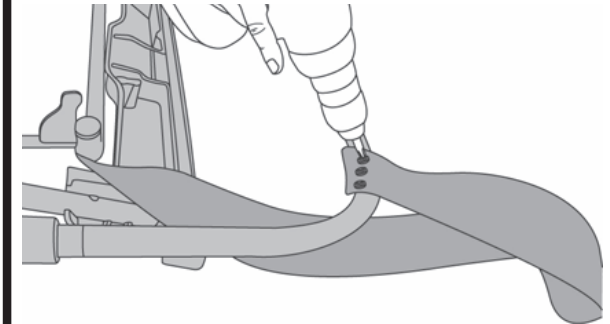
Place the Lower Header on the Side Bows. Orient the Side Bows with the Brackets toward the inside. Install two (2) #8 x 1/2" Pan Head Washer Screws to secure the Lower Header to each Side Bow.



CAUTION Do Not allow Stay Pad to twist.

8 Install Stay Pad

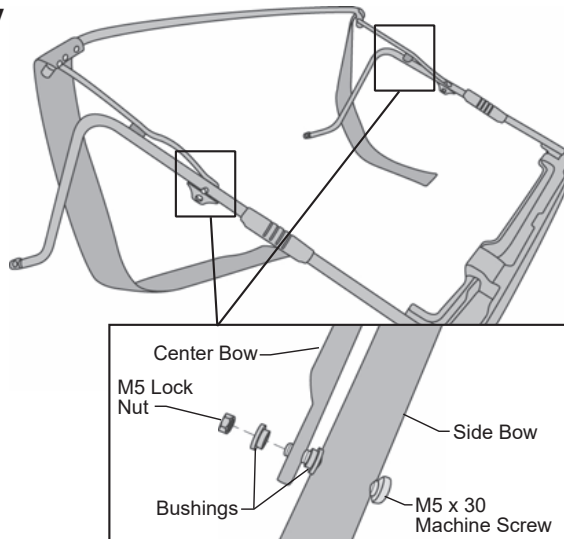
Place the Rear Bow Assembly with the Header/Center Bow Assembly. Pull the end of the fabric stay pad to the corner of the Rear Bow. Install three (3) #8 x 1/2" Pan Head Washer Screws.



6 Assemble Center Bow to Header / Side Bow Assembly

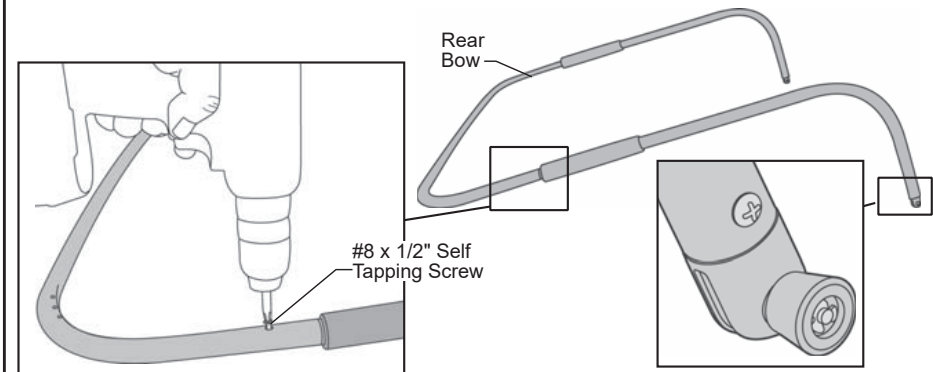
Locate the Center Bow Assembly. Place it on the Side Bow/Header Assembly so that the fabric stay pads on the corners go toward the rear.

Install an M5 x 30 Machine Screw with two (2) Bushings and an M5 Lock Nut.



7 Mount Side Bows to Rear Bow

Locate the left and right Rear Bow Legs and orient them with the pivot knuckle knobs to the outside. Mount them to the Rear Bow Center section with a #8 x 1/2" Self Tapping Screw on each side.





Installation Instructions Factory Style Bow Kit

Vehicle Application:
Jeep® JK Wrangler 2007-2018
Part Number 55000

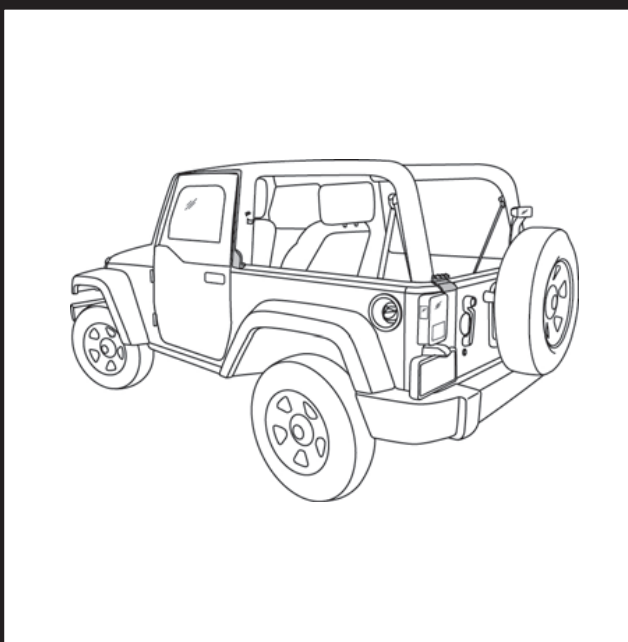
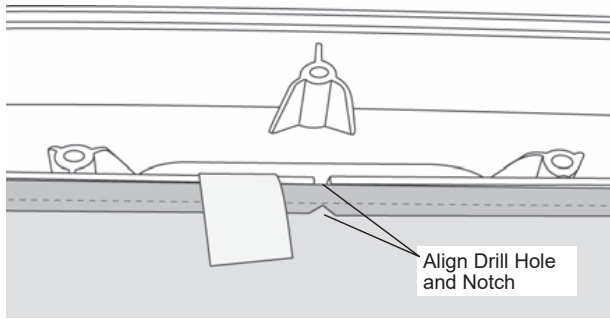


CAUTION

Drill Hole in fabric and notch in Lower Header must be aligned.

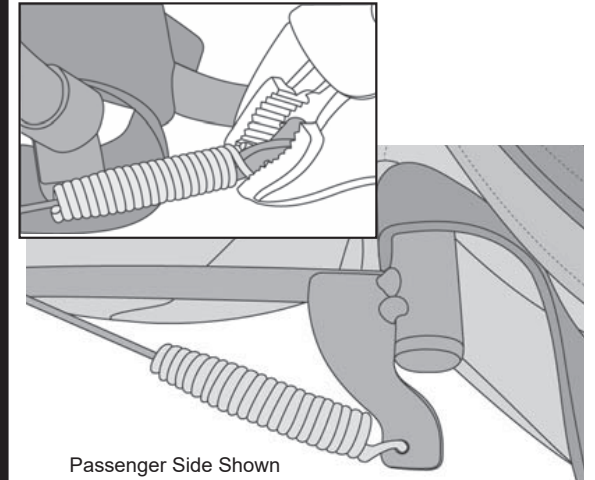
9 Align Top Fabric with Header

Lay the front edge of the top fabric on the Lower Header with the backing side up. Make sure the drill hole in the center of the fabric lines up with the notch in the Lower Header. Tape the fabric in place.



12 Secure Cable Spring

Secure Cable Spring to bracket on bow and crimp spring.

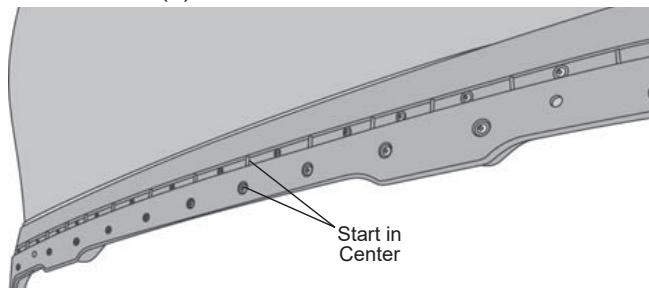


10 Secure Top Fabric to Header

Place Edge Protector over front edge of Upper Header and tape in place.

Lay the Upper Header on top so that the fabric is sandwiched between the Upper and Lower Headers.

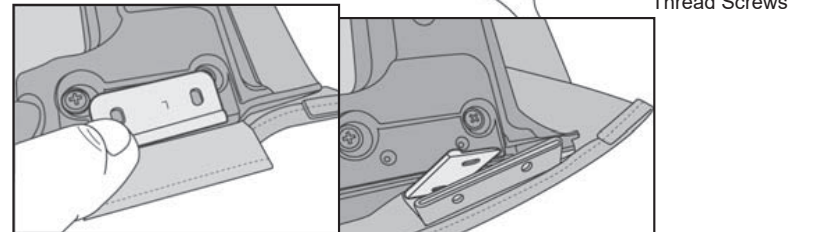
Start with the center hole and install twenty-three (23) #8 x 1/2" Hi-Lo Screws to attach the Upper Header to the Lower Header. Secure the Upper Header to each Side Bow with four (4) #8 x 1/2" Pan Head Washer Screws.



11 Install Side Bows on Header Assembly

Wrap the fabric around the edge of the header. Slip the fabric pocket sewn into the top between the headers and position the anchor foot.

Install two (2) #8 x 1/2" Hi-Lo Thread Screws through the fabric and metal flag into the Lower Header on each side.



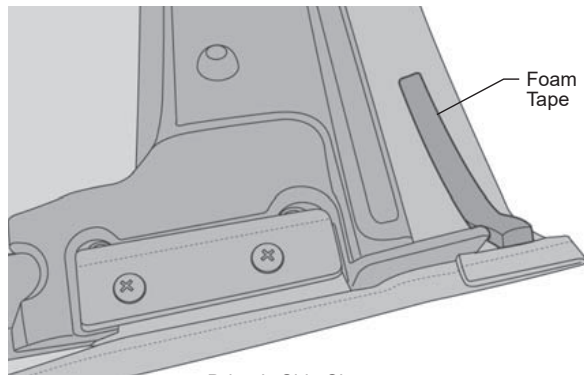


Installation Instructions Factory Style Bow Kit

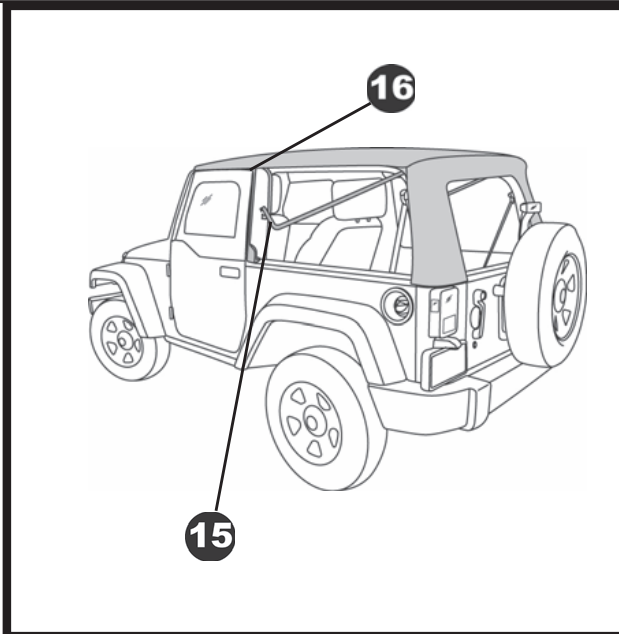
Vehicle Application:
Jeep® JK Wrangler 2007-2018
Part Number 55000

13 Install Foam Tape on Header

Install Foam Tape on Header.

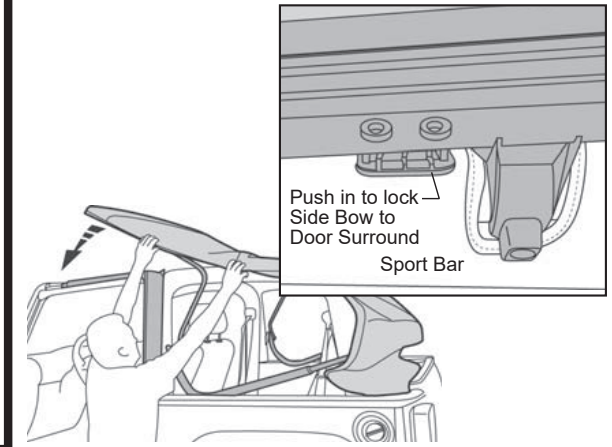


Driver's Side Shown



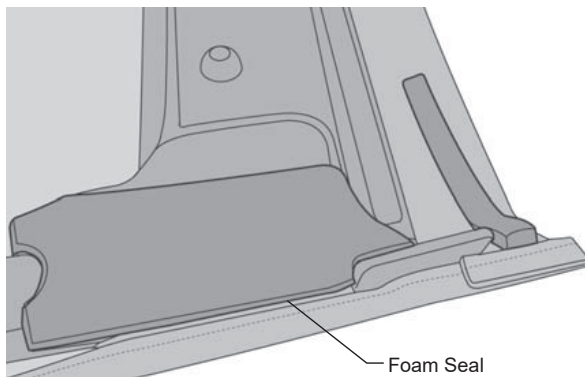
16 Drape Top Fabric Assembly over Vehicle

Open the Top Assembly and drape it over the cab of the vehicle. Push in on the Sunrider lock lever and lock the Side Bow to the Door Surround.



14 Install Foam Seal on Header

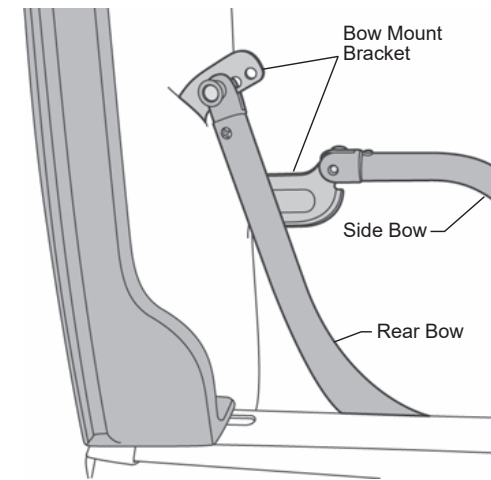
Install Foam Seal on Header.



Driver's Side Shown

15 Secure Top Fabric Assembly to Bow Mount Bracket

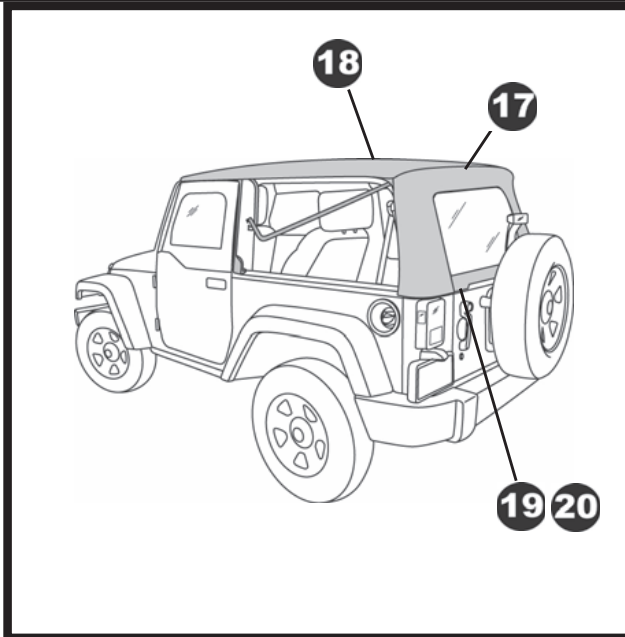
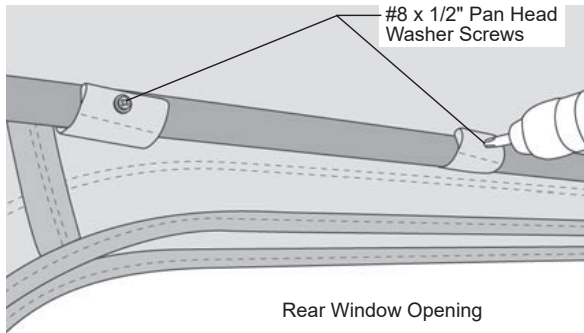
Place the top assembly on the back of the vehicle. Clip the Side Bow pivots into the lower Bow Mount Bracket hole. Clip Rear Bow pivots into the front upper Bow Mount Bracket hole. If the top becomes loose the Rear Bow can be moved to a rearward hole to tighten the top.



Driver's Side Shown

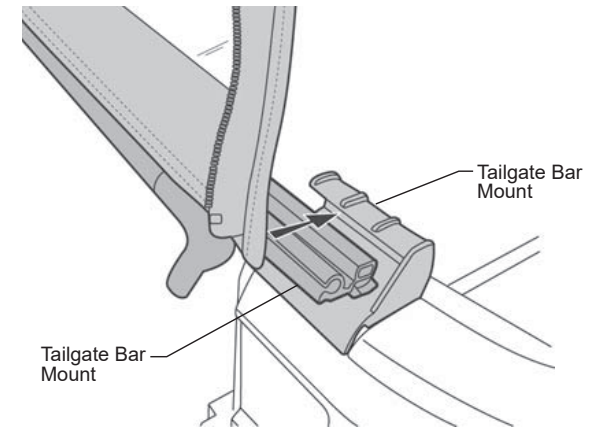
17 Secure Top Fabric to Rear Bow

Once the top is in place, locate the four (4) flaps sewn inside the top above the rear window opening. Install a #8 x 1/2" Pan Head Washer Screw to secure each flap to the Rear Bow.



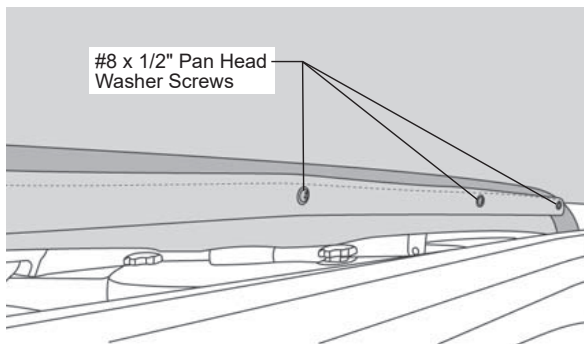
20 Secure Tailgate Bar

Slide the Tailgate Bar into the Tailgate Bar Mounts on each side of the tailgate opening.



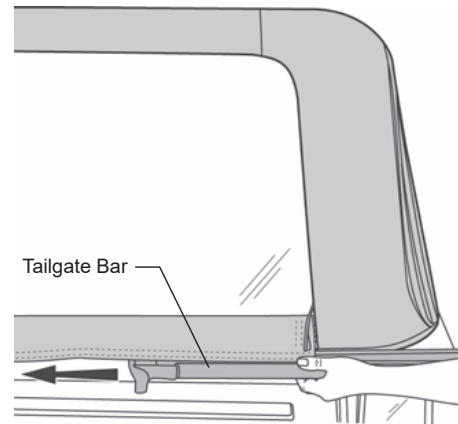
18 Secure Top Fabric to Center Bow

Locate the flaps inside the top in the center. Wrap them around the bow and install five (5) #8 x 1/2" Pan Head Washer Screws.



19 Install Tailgate Bar

Slide the channel in the Tailgate Bar onto the tubing along the bottom of the Rear Window on the inside.





**Warranty Information
Trektop NX Glide 2-Door**

**Vehicle Application:
Jeep® JK Wrangler 2007-2018
Part Number 55000**

For Bestop Warranty Information, Please go to;
<https://www.bestop.com/help/warranty-information/>

