



Installation Instructions The Ascent for JK 4-Door

Vehicle Application:
Jeep® Wrangler JK Unlimited 2007-2018
Part Number 56825

Installation Tips

Before you begin installing your new Trektop, please read all the instructions thoroughly.

WARNING Do not rely in any way on the components of this product to protect against injury or death in the event of an accident. Never operate the vehicle in excess of manufacturer's specifications.


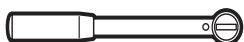



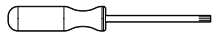



Read and follow, precisely, all installation instructions provided when installing this product. Failure to do so may result in a poor fit and could place occupants of the vehicle in a potentially dangerous situation.

For easier installation, the top should be installed at a temperature above 72° F. Below this temperature, the fabric may contract making it difficult to fit the vehicle.



CAUTION Safety glasses should be worn at all times when installing this product.

WEAR SEAT BELTS AT ALL TIMES

Tools			Installation Time	Support
 Safety Glasses	 Ratchet	 Extension	 2 Hours	We're here to help! Go to www.Bestop.com and click on "Need Help?"
 #2 Phillips Screwdriver	 T25, T30, T40 and T50 Torx Driver	 8mm and 13mm Sockets	Skill Level	
		 Utility Knife	 2 - Moderatly Easy	



Installation Instructions The Ascent for JK 4-Door

Vehicle Application:
Jeep® Wrangler JK Unlimited 2007-2018
Part Number 56825

Sugerencias de Instalación

Antes de empezar a instalar esta unidad, lea atentamente todas las instrucciones.

Para un buen ajuste:

Para facilitar la instalación, el producto debe instalarse a temperaturas superiores a 72 °F (22 °C).

Por debajo de esta temperatura, la tela puede encogerse una pulgada o más, lo que dificultaría su ajuste al vehículo.

Es normal que la tela se contraiga o arrugue cuando está guardada en la caja de empaque. A los pocos días después de la instalación, la tela se relajará y las arrugas desaparecerán.



ADVERTENCIA

Este producto se diseñó principalmente para mejorar la apariencia del vehículo y proteger a los ocupantes de las condiciones climáticas comunes. De ninguna manera piense que los componentes de este producto pueden servir como medio de contención para los ocupantes del vehículo o que pueden protegerlos contra lesiones o la muerte en caso de accidente. Este producto no protegerá a los ocupantes contra caídas de objetos. Nunca conduzca este vehículo fuera de las especificaciones del fabricante.

USE LOS CINTURONES DE SEGURIDAD EN TODO MOMENTO

Lea y siga con precisión todas las instrucciones de instalación que se proporcionan para instalar este producto. Si no lo hace, podría producirse un mal ajuste que colocaría a los ocupantes del vehículo en una situación potencialmente peligrosa.



PRECAUCIÓN

Debe usar gafas protectoras en todo momento durante la instalación de este producto.

Conseils pour l'installation

Lire toutes les instructions au complet avant de commencer l'installation de cet assemblage.

Pour un ajustement sans problème :

Afin de faciliter l'installation, ce produit doit être installé à des températures au-dessus de 72 °F (22 °C).

Sous cette température, le tissu peut rétrécir d'un pouce (2,5 cm) ou plus, ce qui rendra l'ajustement sur le véhicule difficile.

Il est normal que le tissu rétrécisse et plisse pendant qu'il est dans la boîte d'expédition. En quelques jours après l'installation, le tissu se détendra et les plis disparaîtront.



AVERTISSEMENT

Ce produit est conçu principalement pour améliorer l'apparence du véhicule et pour protéger les occupants des conditions météorologiques usuelles. Ne jamais se fier aux composants de ce produit pour se protéger de blessures ou de la mort en cas d'accident. Ce produit ne protégera pas les occupants des chutes d'objets. Ne jamais utiliser le véhicule au-delà des caractéristiques techniques indiquées par le fabricant.

PORTER UNE CEINTURE DE SÉCURITÉ EN TOUT TEMPS

Lire et suivre, très fidèlement, toutes les instructions d'installation fournies lors de l'installation de ce produit. Ne pas suivre cette consigne peut causer une installation inadéquate et mettre les occupants du véhicule dans une situation potentiellement dangereuse.



MISE EN GARDE

Des lunettes de sécurité doivent être portées en tout temps lors de l'installation de ce produit.



Installation Instructions The Ascent for JK 4-Door

Vehicle Application:
Jeep® Wrangler JK Unlimited 2007-2018
Part Number 56825



#8 x 1/2 Sheet
Metal Screw
#393.79
Qty. 9



M5 X 12mm Button
Head Screw
#531.49
Qty. 4



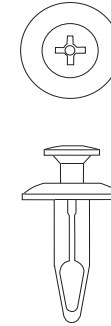
M5 X 25mm Pan
Head Screw
#526.77
Qty. 4



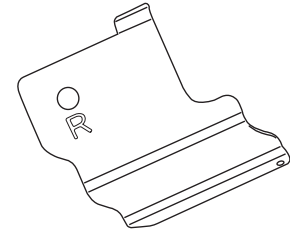
M5 Lock Nut
#526.76
Qty. 8



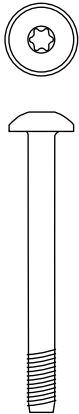
Shoulder Bolt
308.65
Qty. 2



Plastic Push Pin
#629.78
Qty. 2



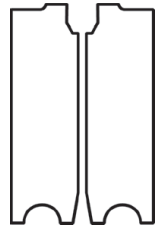
Cable Attach Bracket
#659.04 Right (Shown)
659.05 Left
Qty.1 of each



M8 x 80 Screw
#532.23
Qty.4



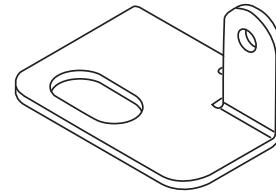
M8 x 38 Screw
#532.17
Qty.2



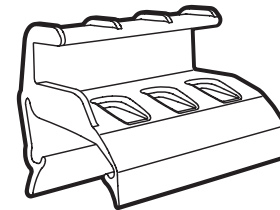
Foam Seals
#457.76 - Right
#457.77 - Left
Qty. 1 per side



Foam Tape
Strips
#417.43
Qty. 2



Sunrider Bracket
#485.50 Right (Shown)
#485.51 Left
Qty.1 of each

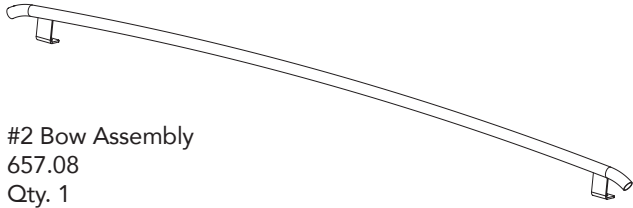


Tailgate Bar Mounts
#539.57 - Left (shown)
#539.56 - Right
Qty. 1

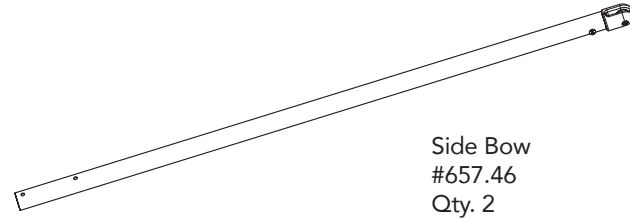


Installation Instructions The Ascent for JK 4-Door

Vehicle Application:
Jeep® Wrangler JK Unlimited 2007-2018
Part Number 56825



#2 Bow Assembly
#657.08
Qty. 1



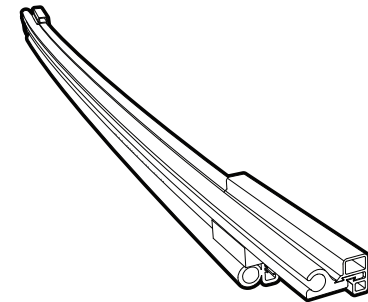
Side Bow
#657.46
Qty. 2



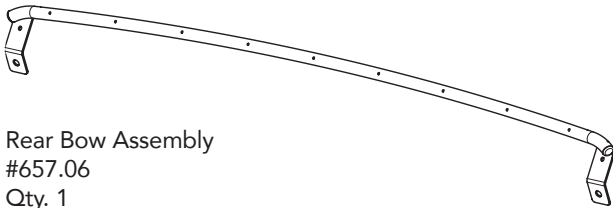
#3 Bow Assembly
#657.07
Qty. 1



Front Door Rail
#479.87 - Left (shown)
#479.86 - Right
Qty. 1 of each



Tailgate Bar
#489.46
Qty. 1

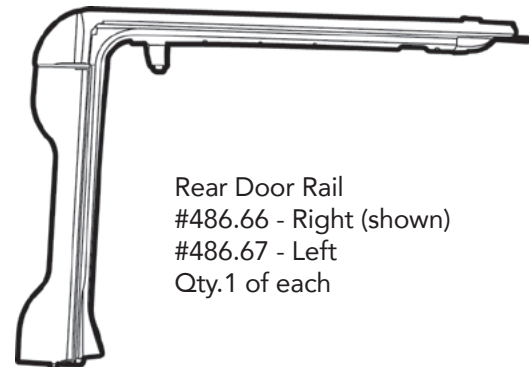


Rear Bow Assembly
#657.06
Qty. 1

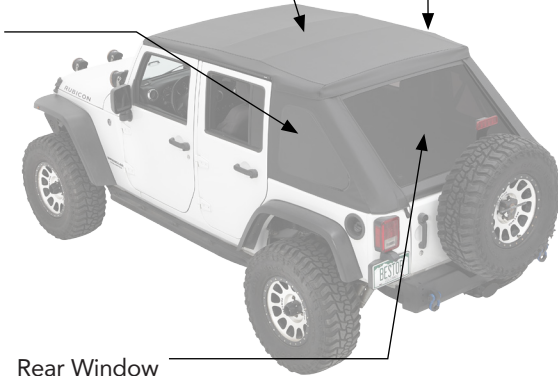
Deck, Header Assembly & Fabric Top

Right Side Window

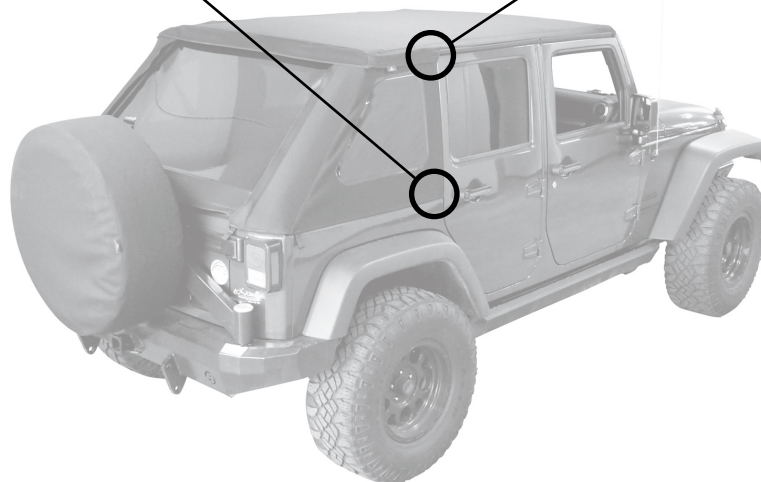
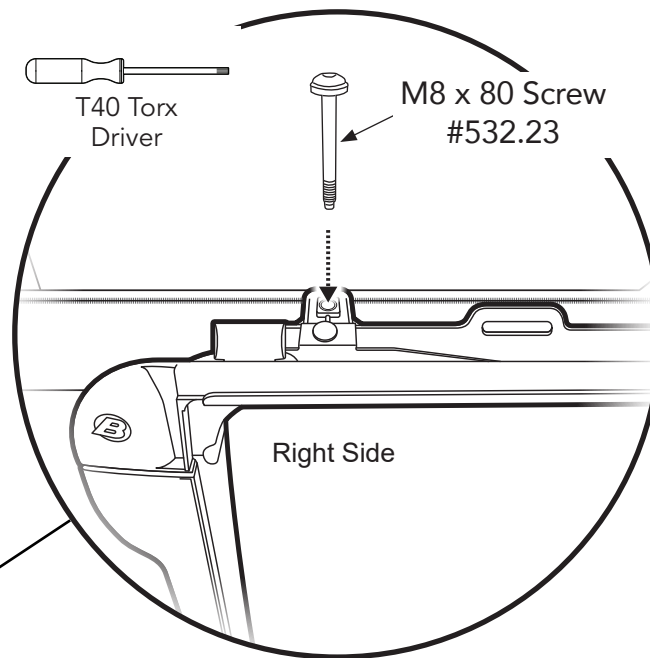
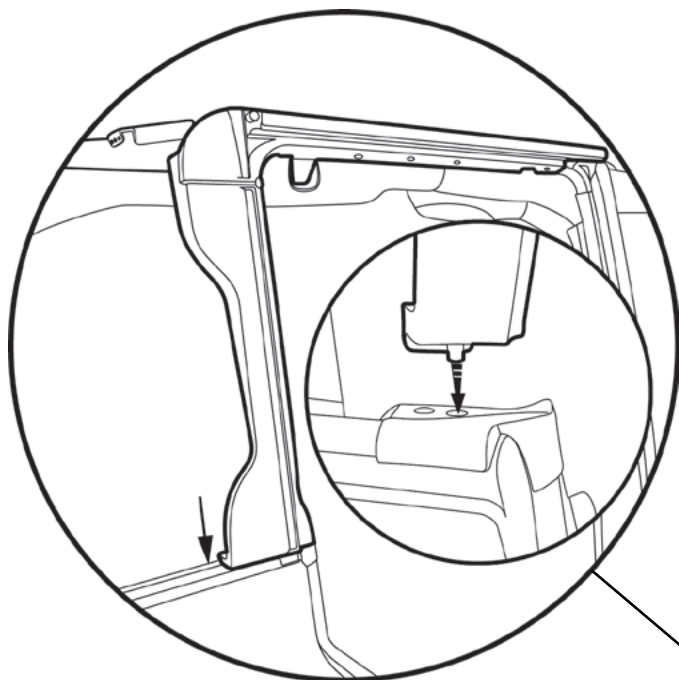
Left Side Window

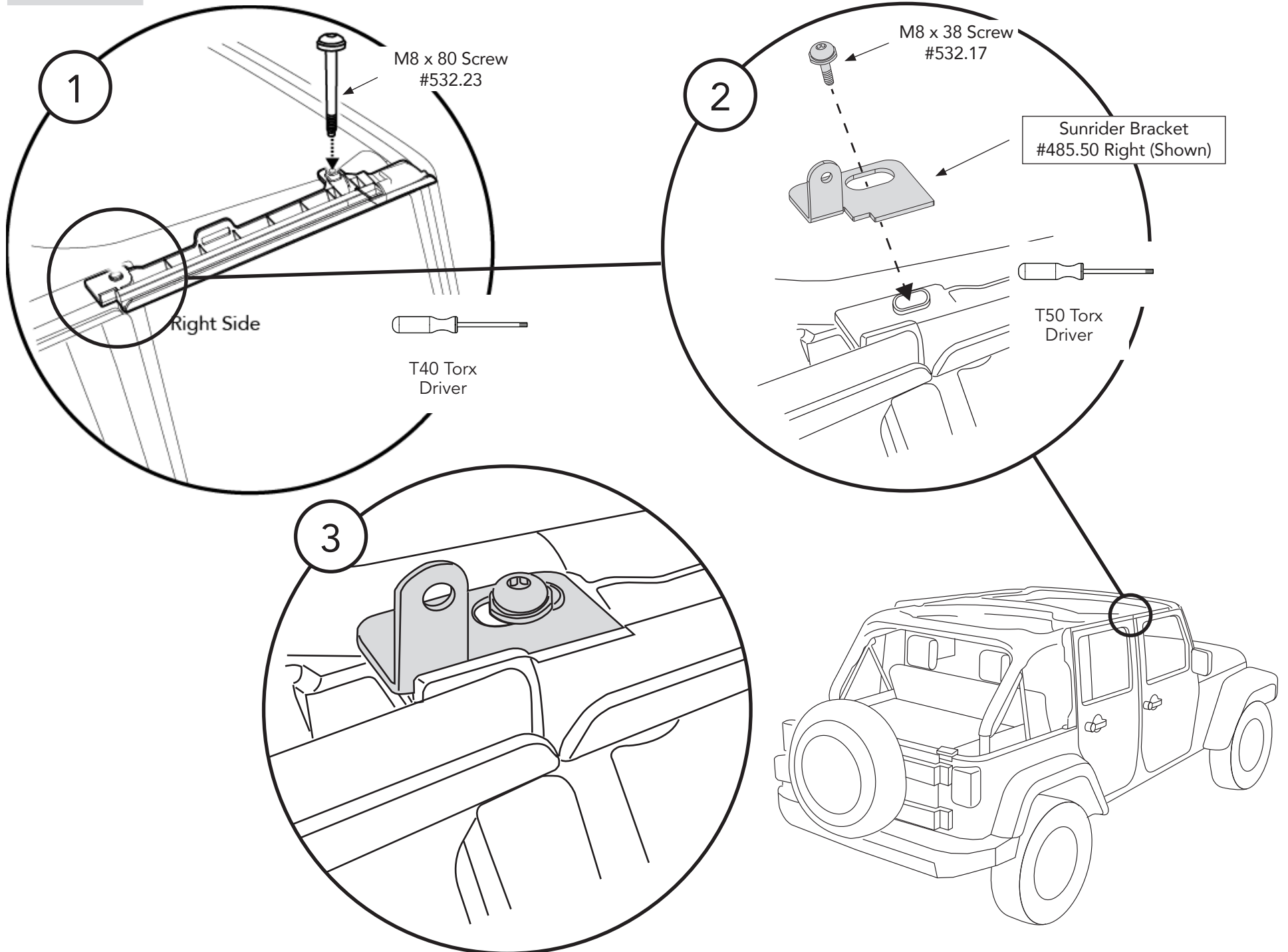


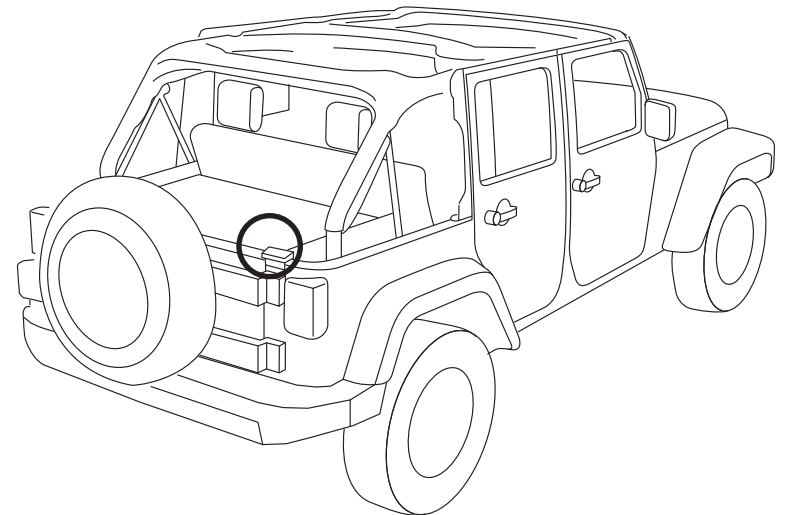
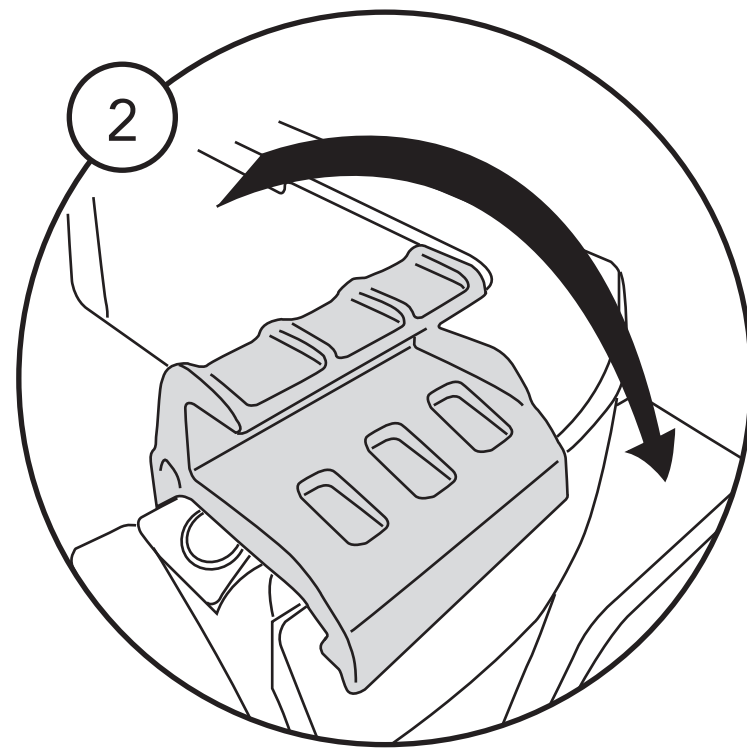
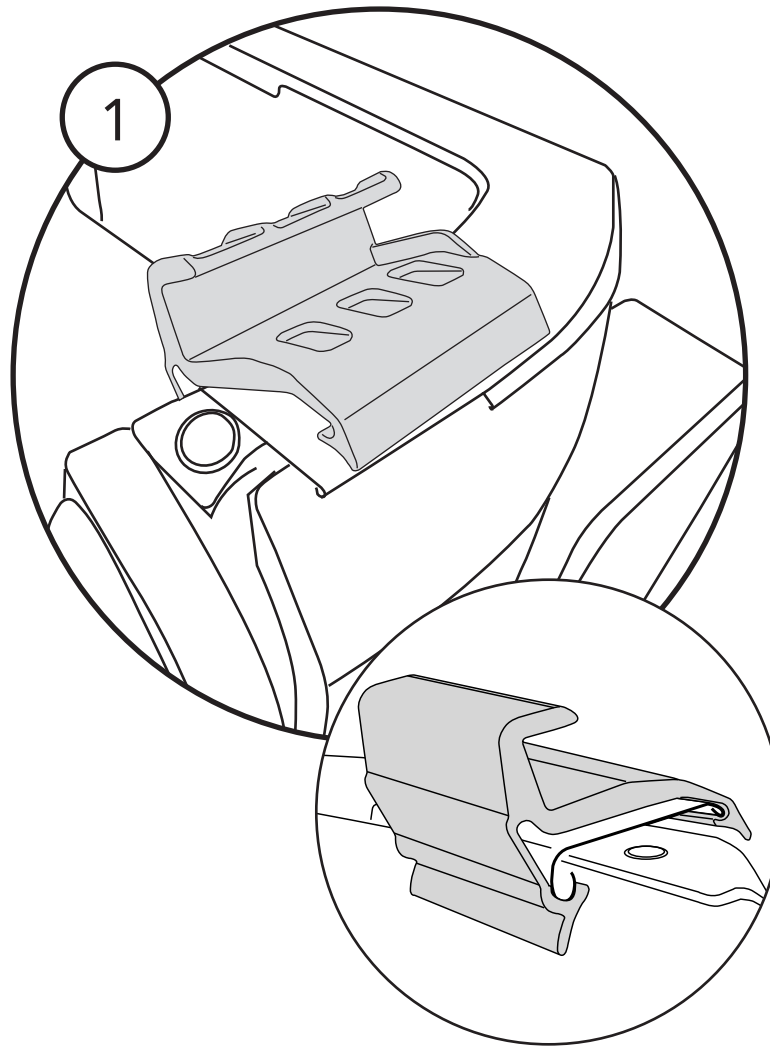
Rear Door Rail
#486.66 - Right (shown)
#486.67 - Left
Qty.1 of each

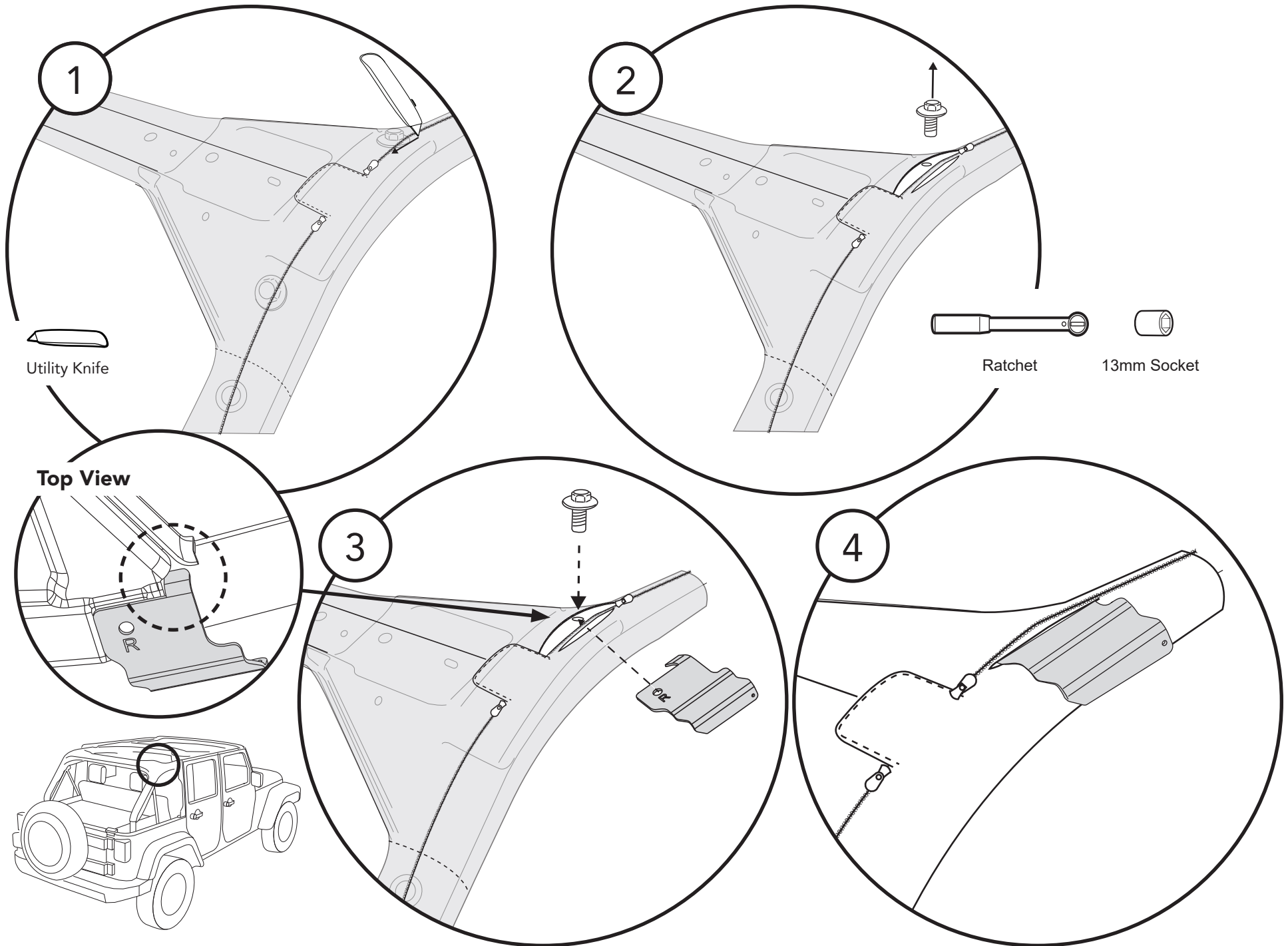


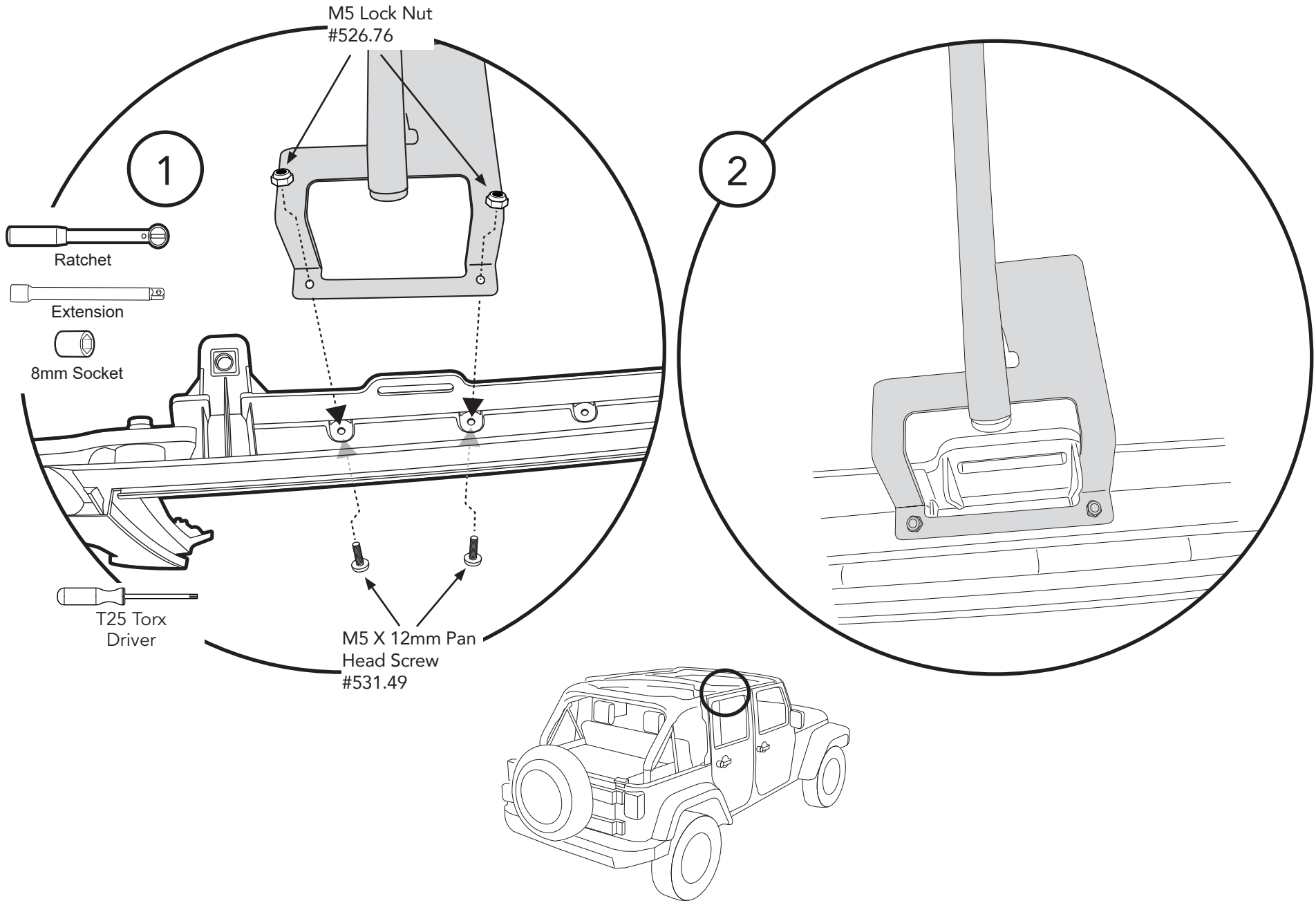
Rear Window

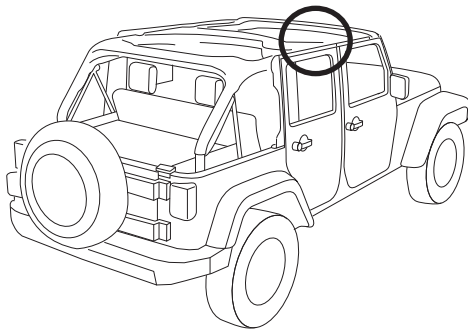
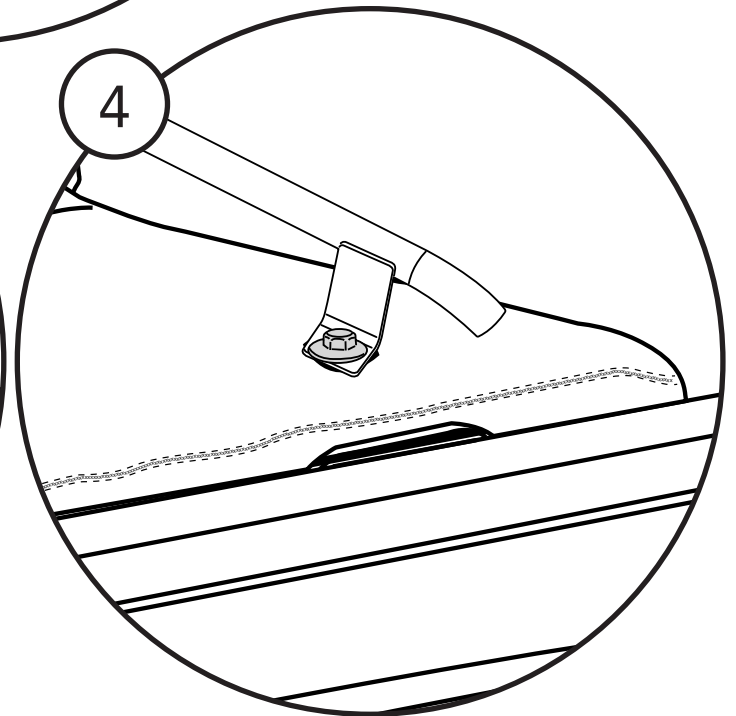
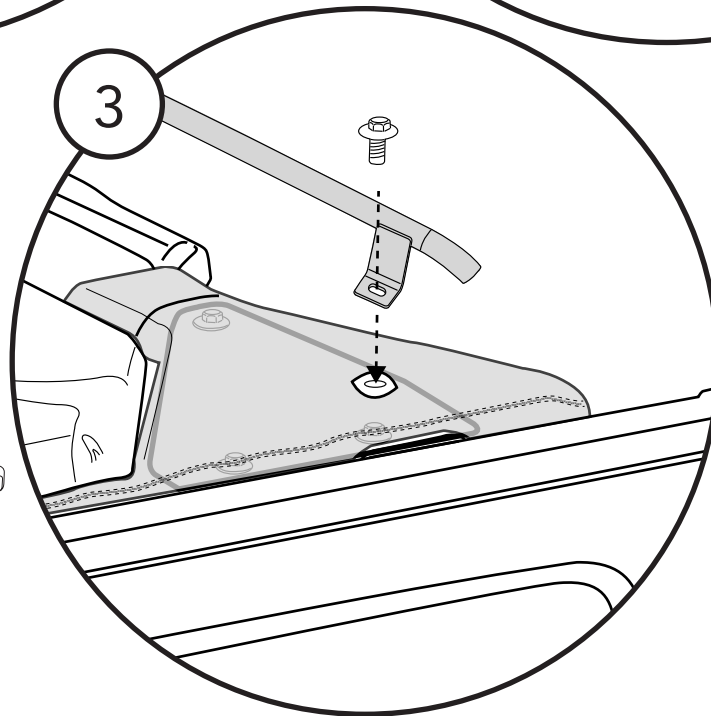
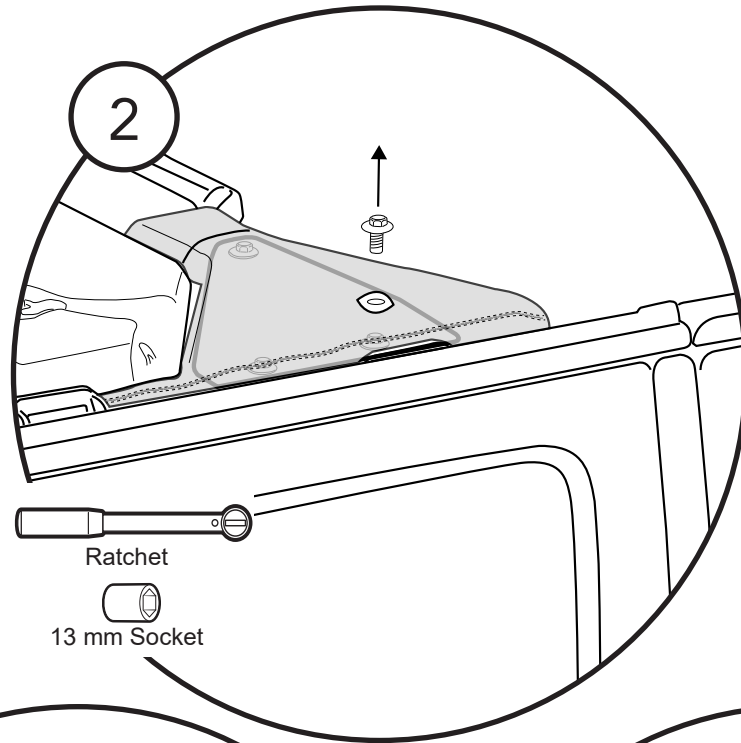
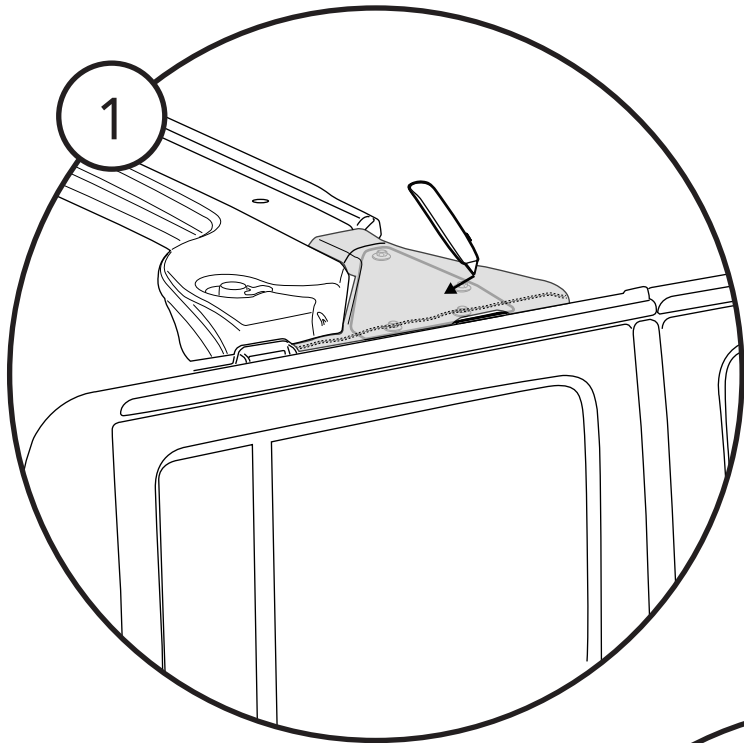


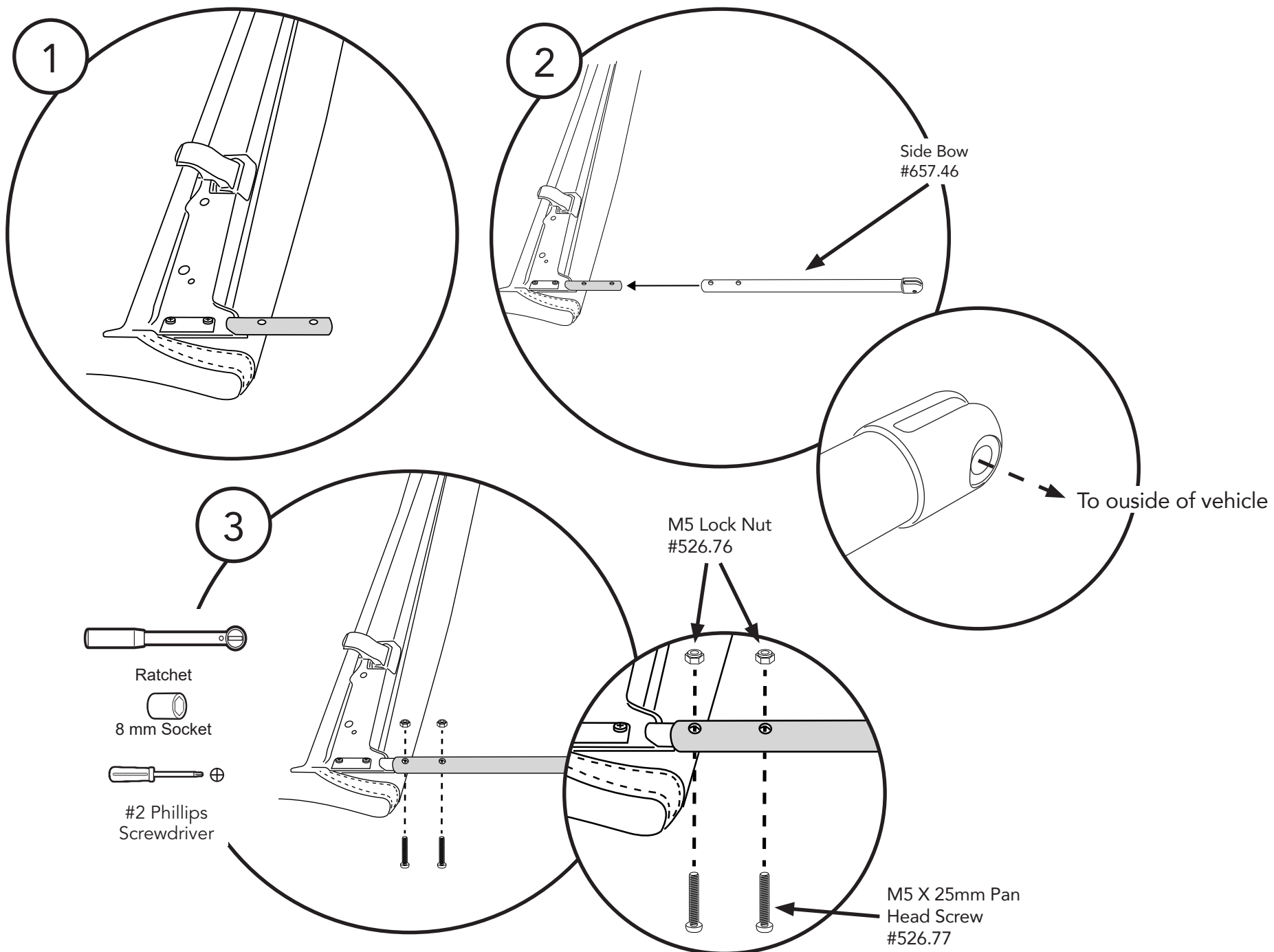


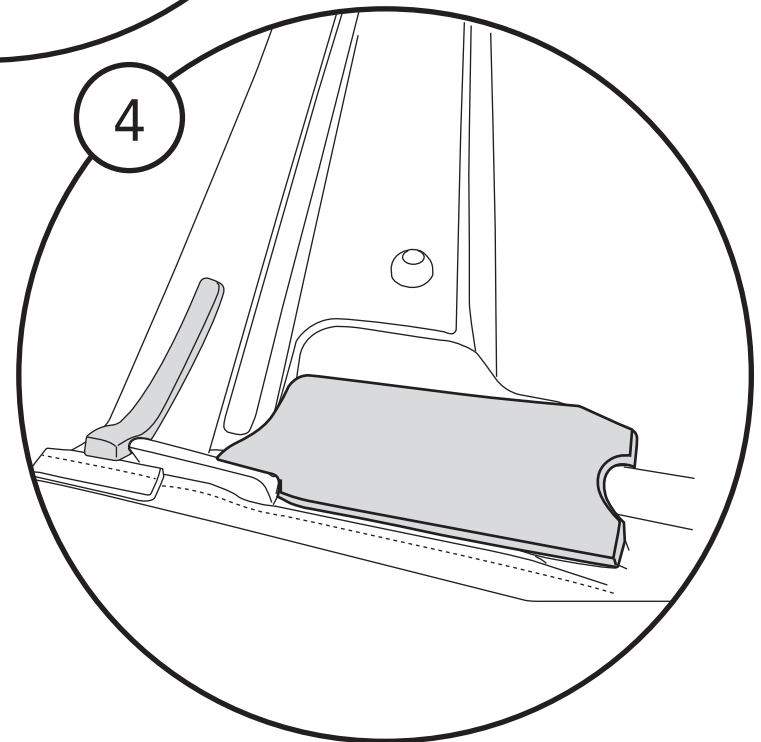
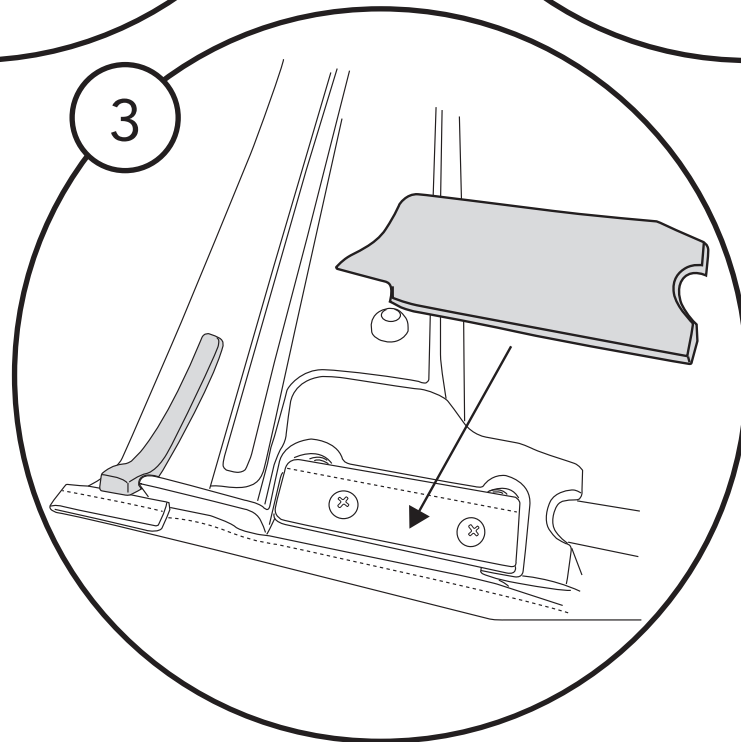
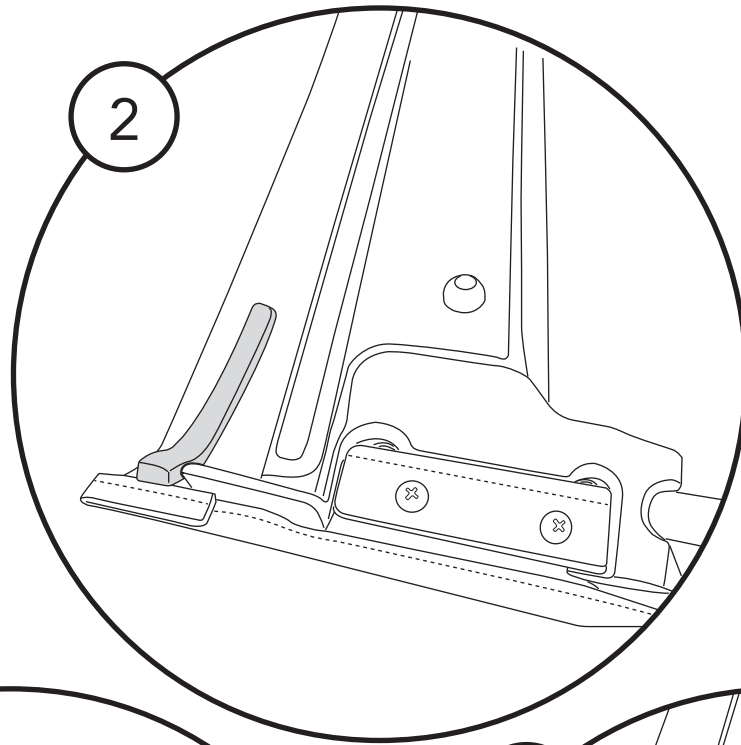
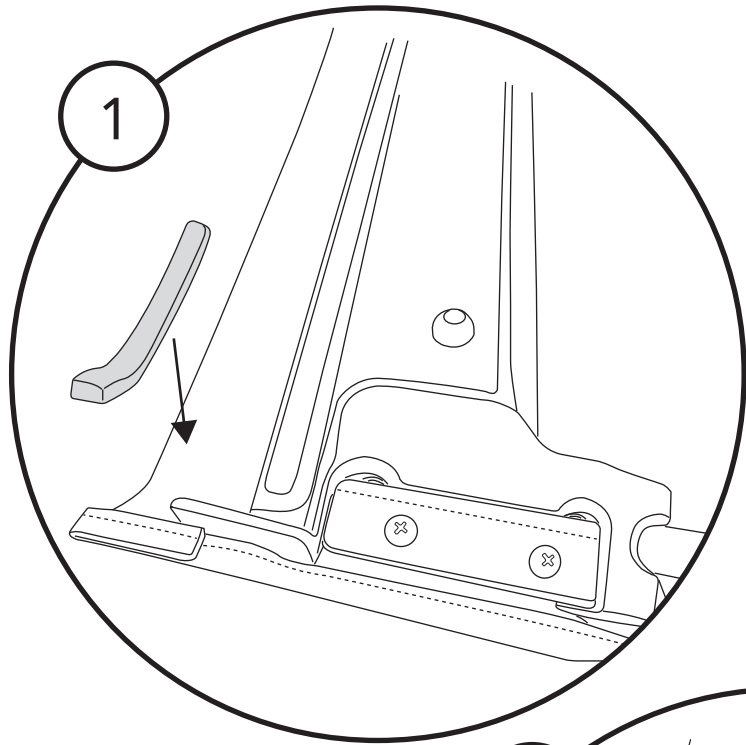


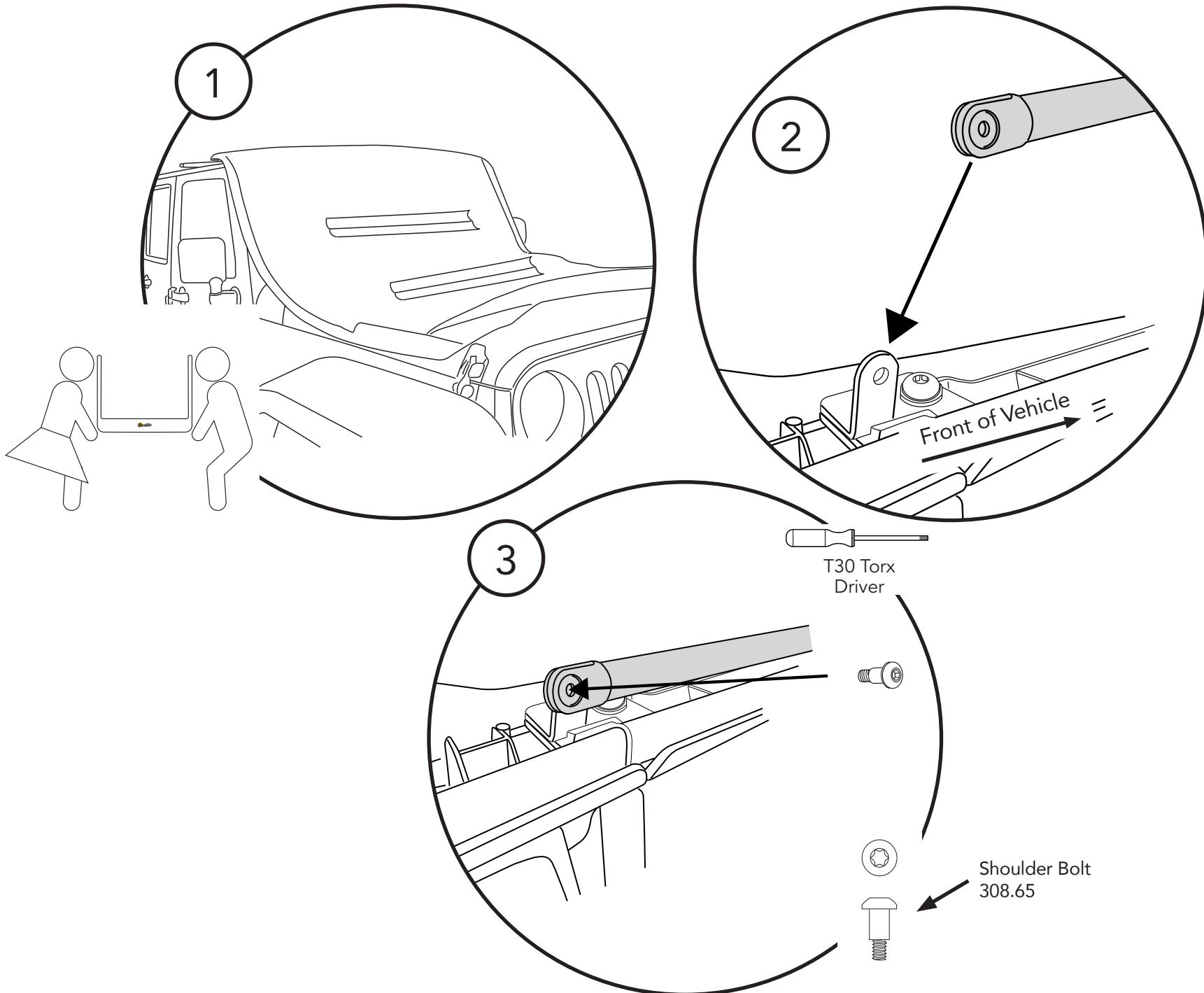


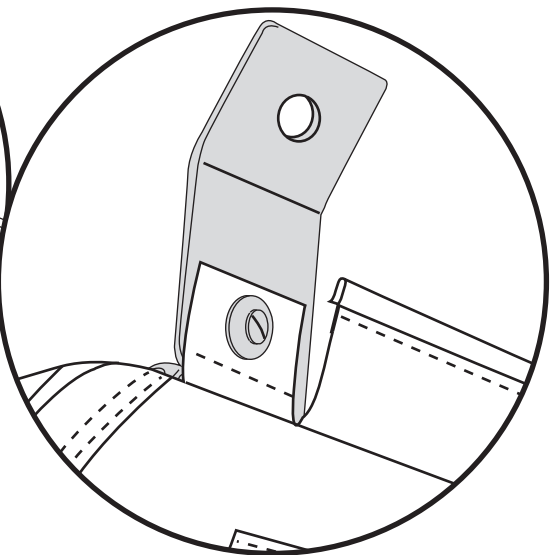
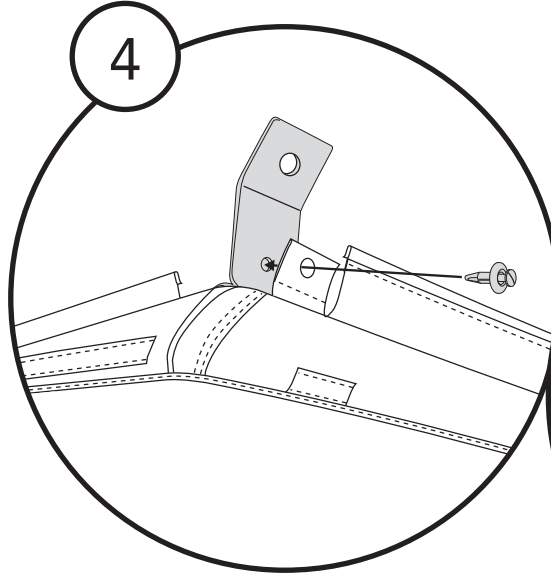
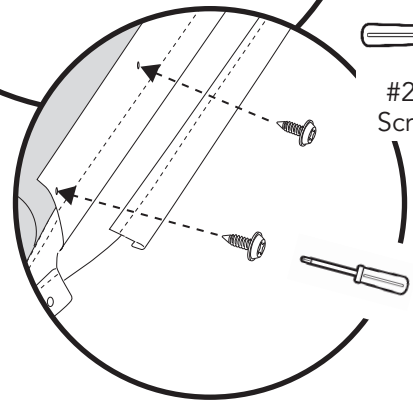
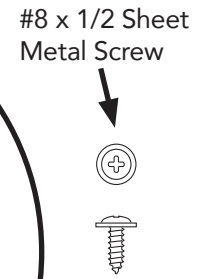
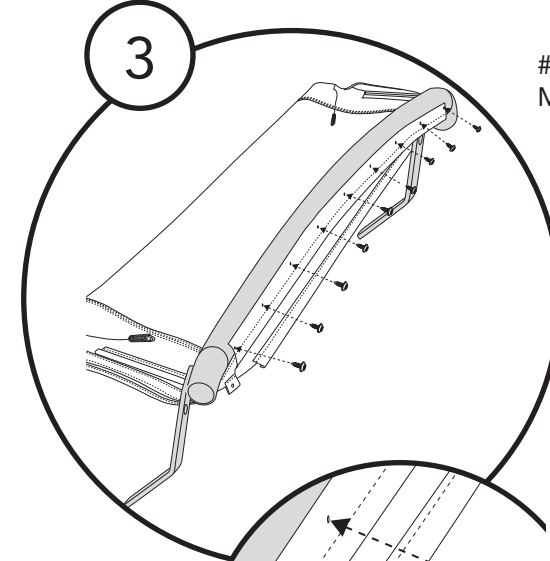
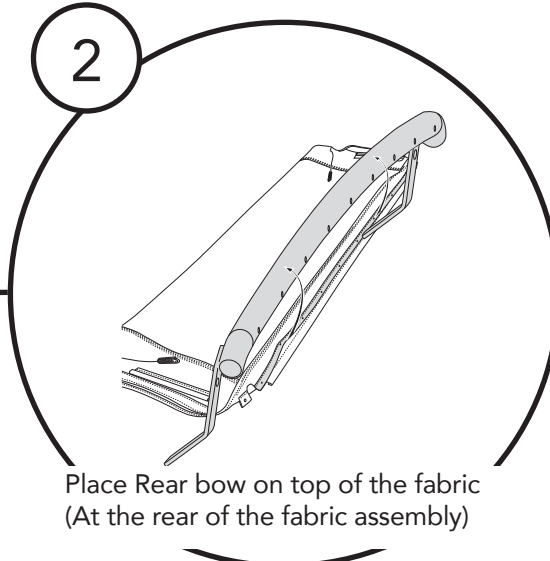
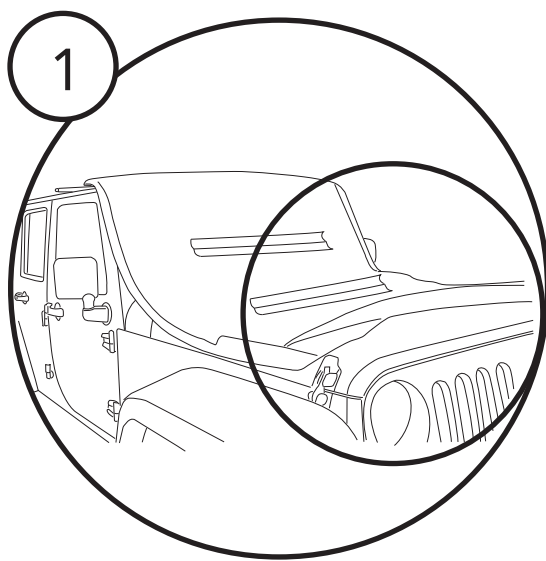


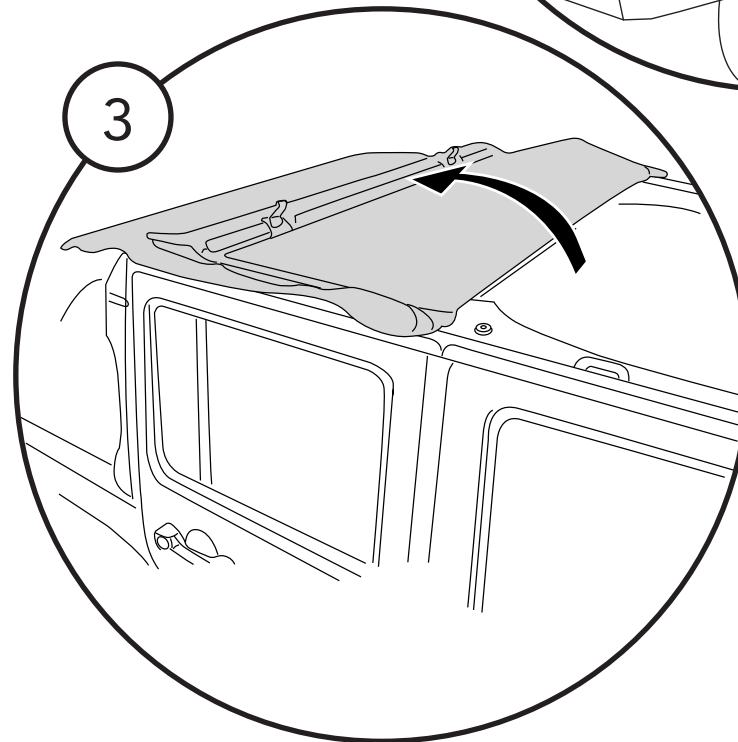
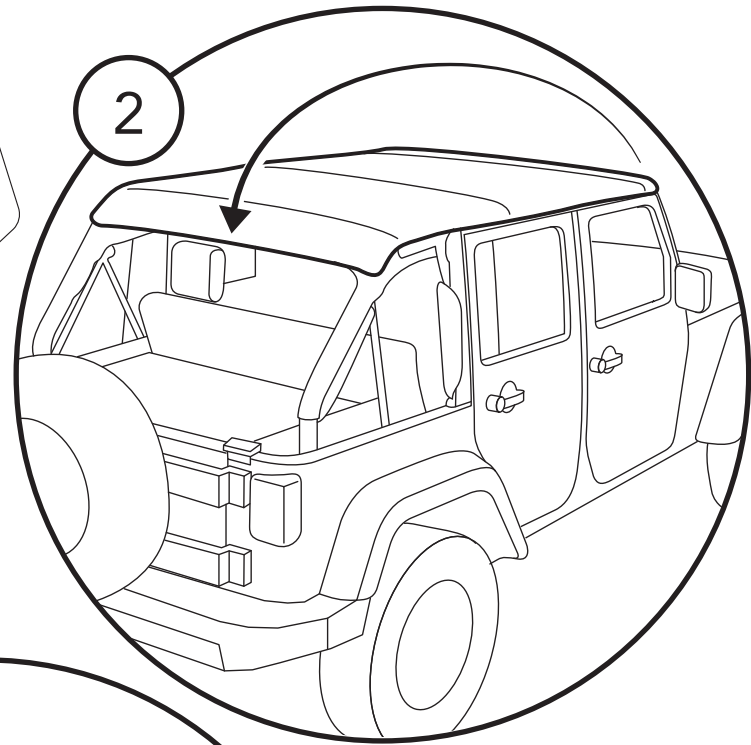
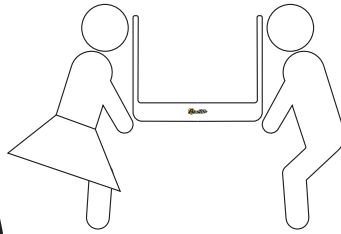
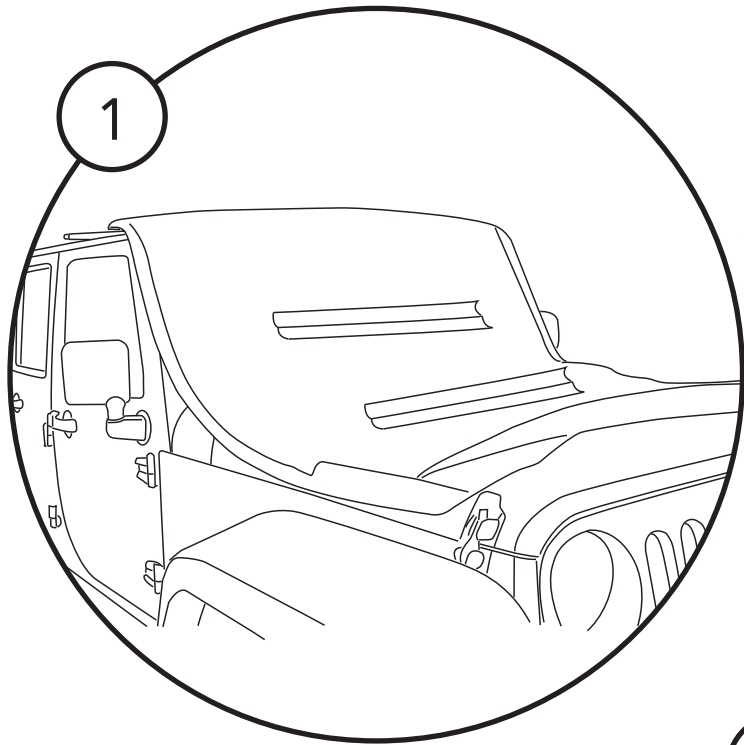


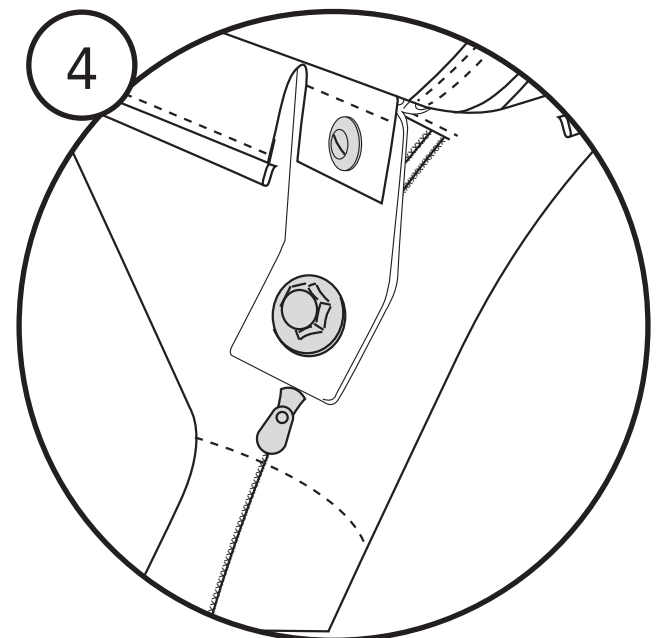
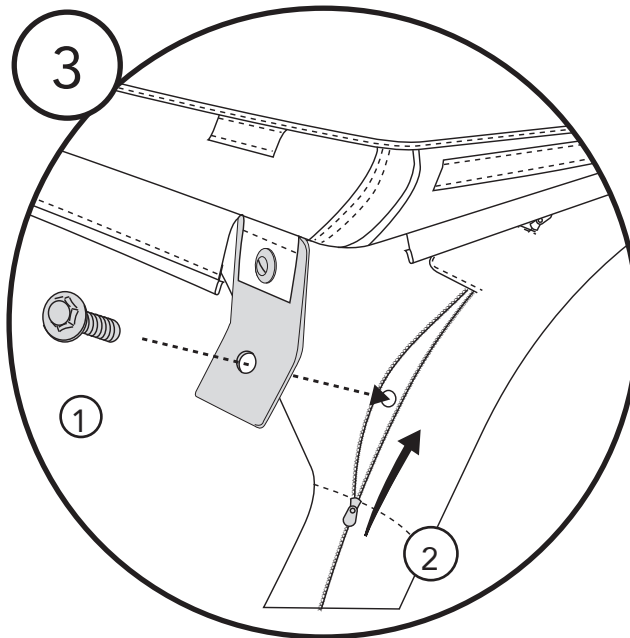
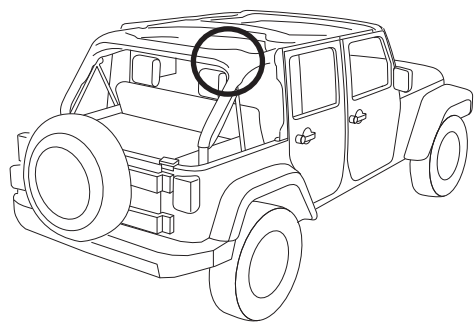
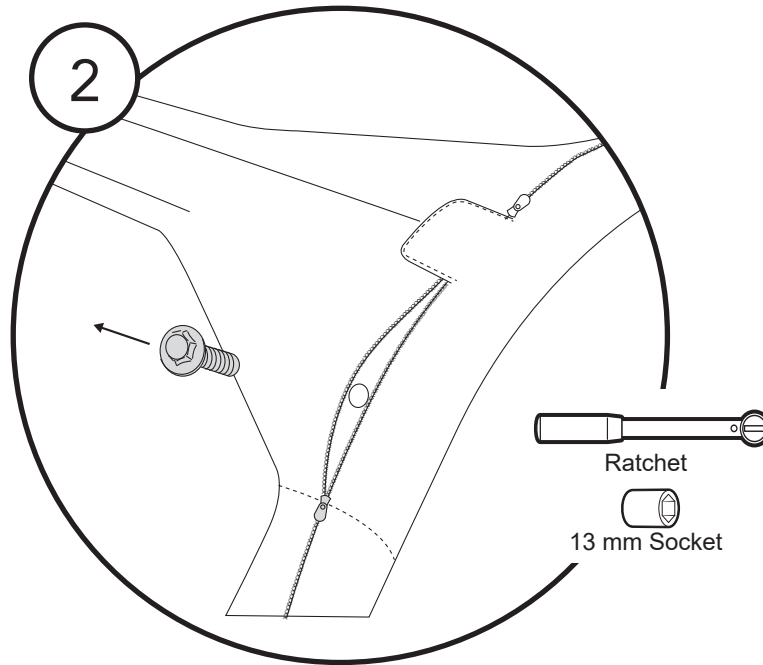
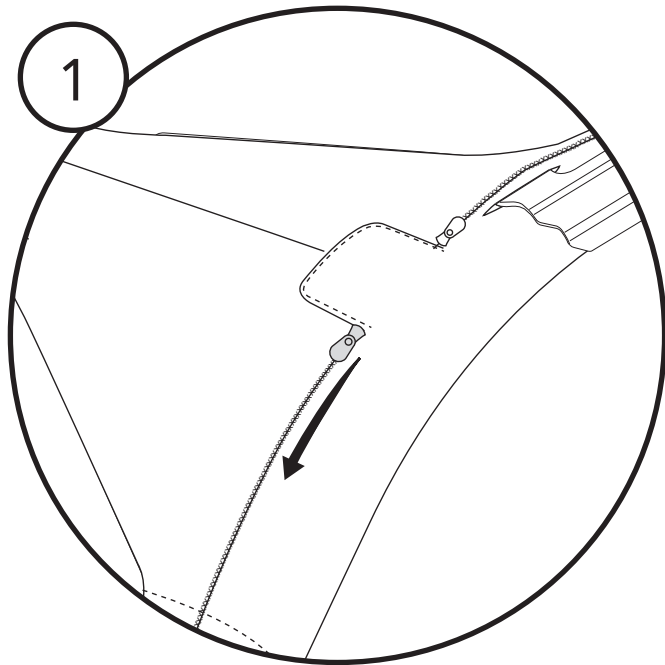


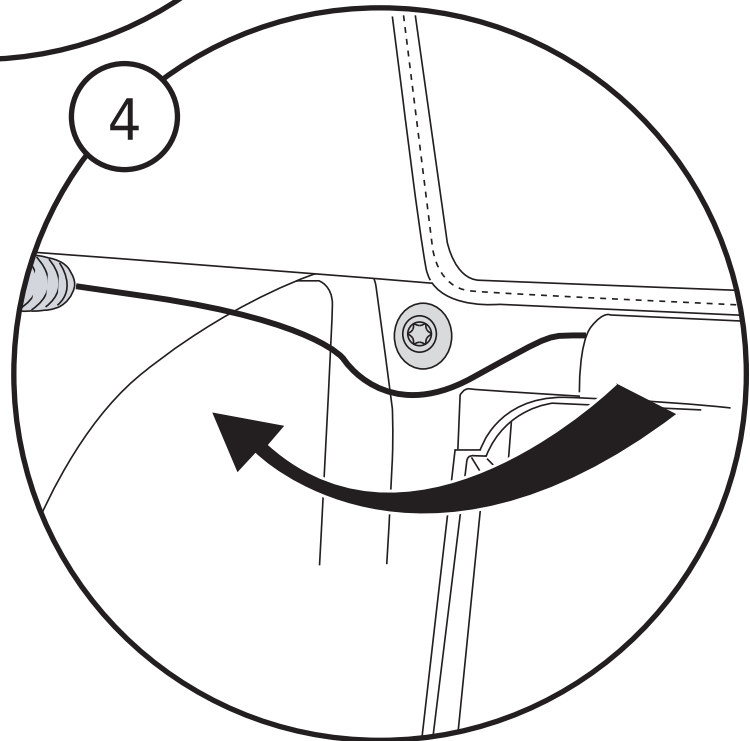
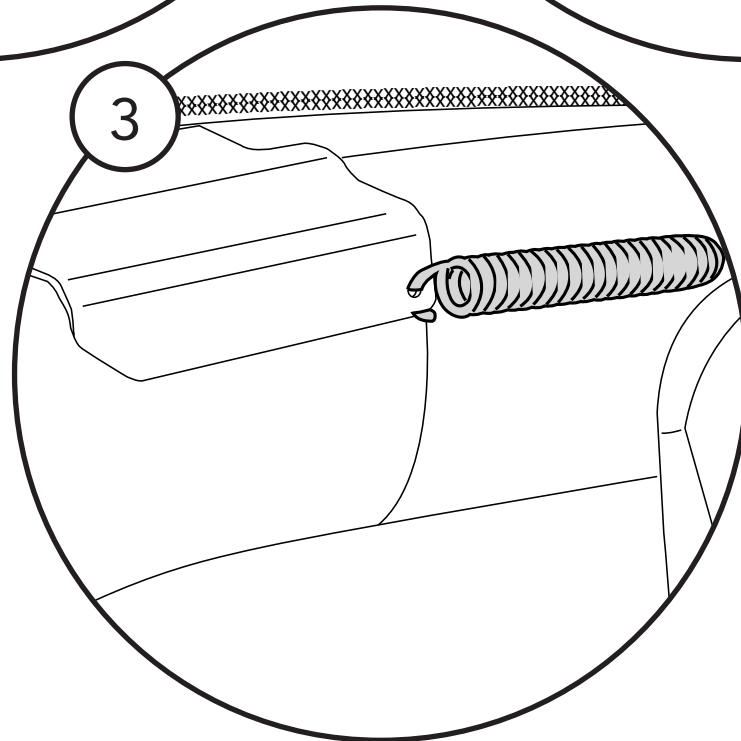
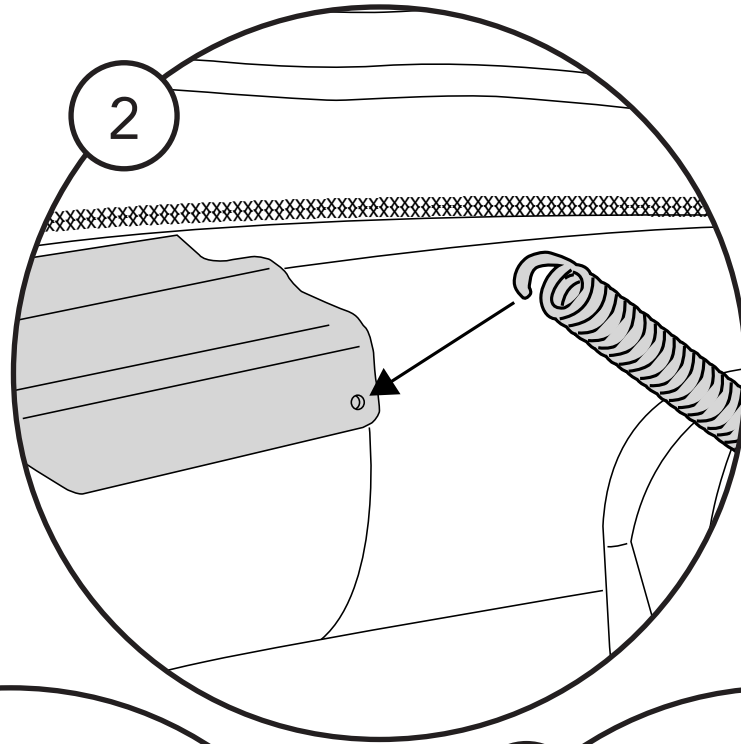
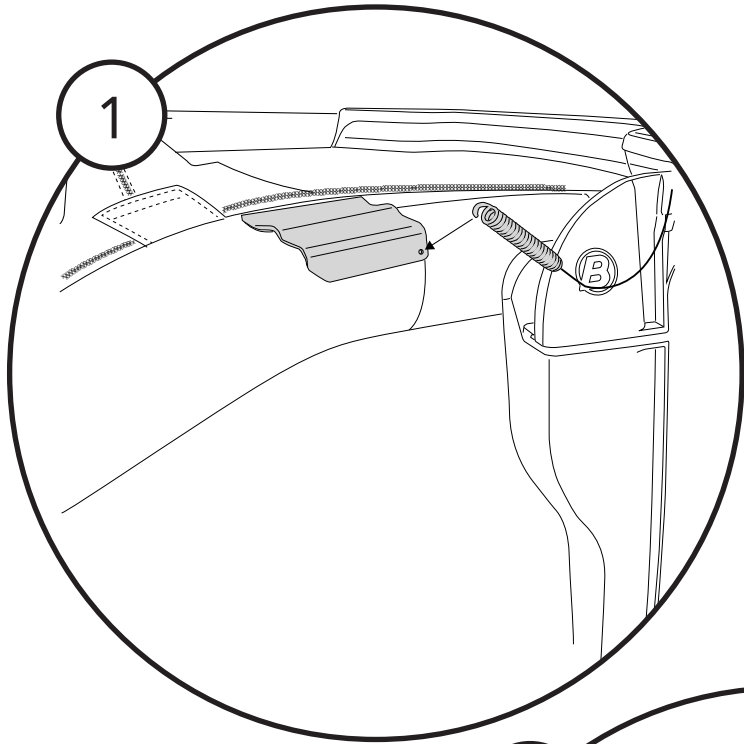






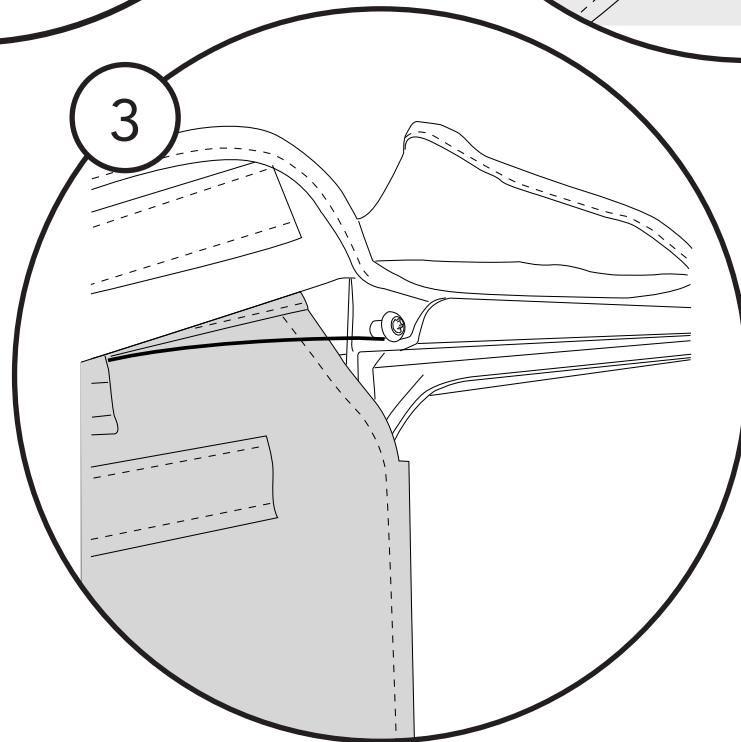
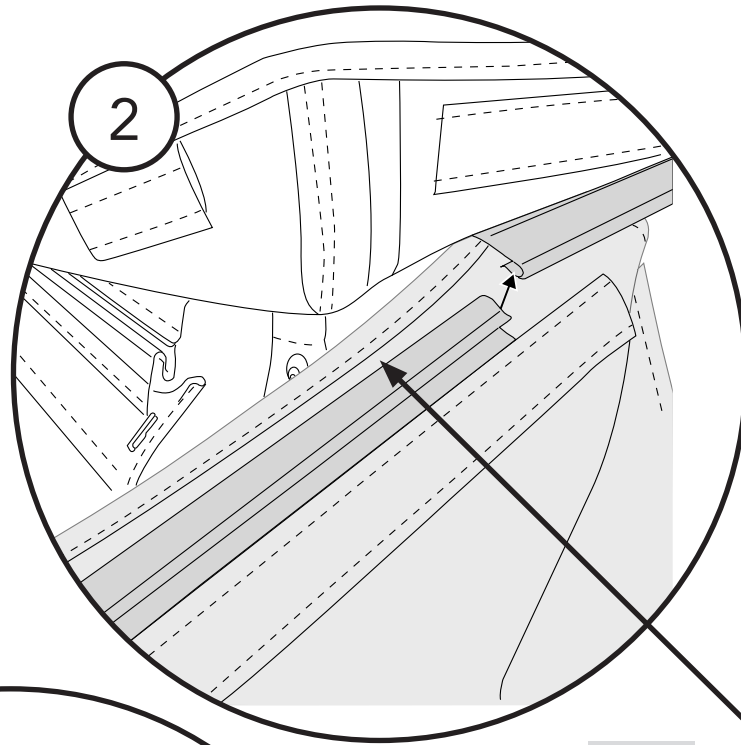
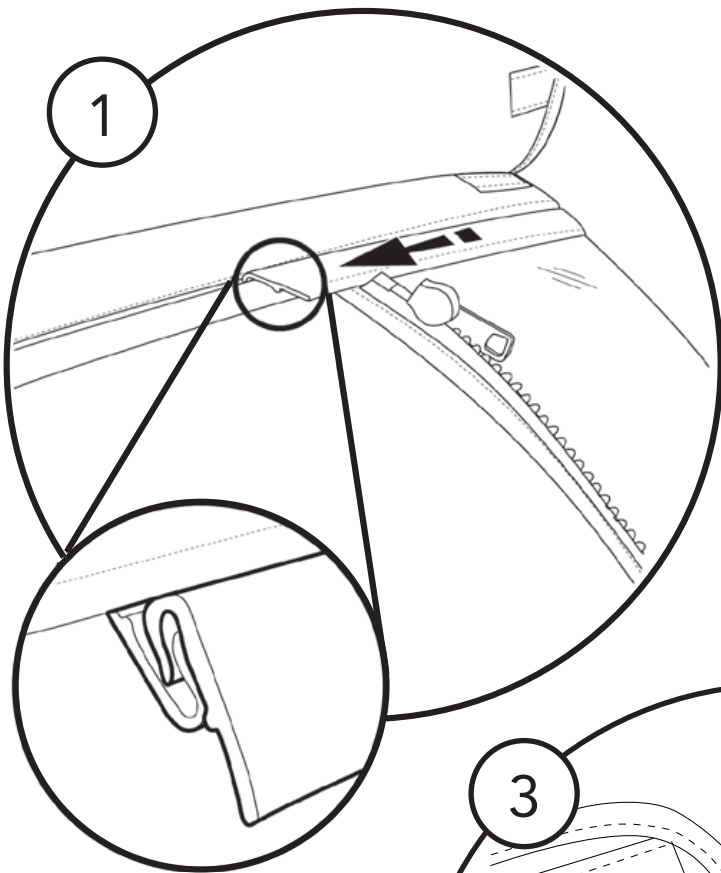




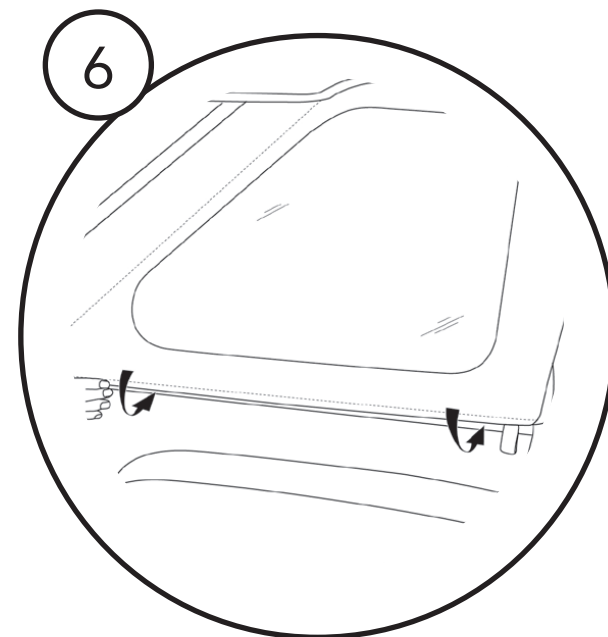
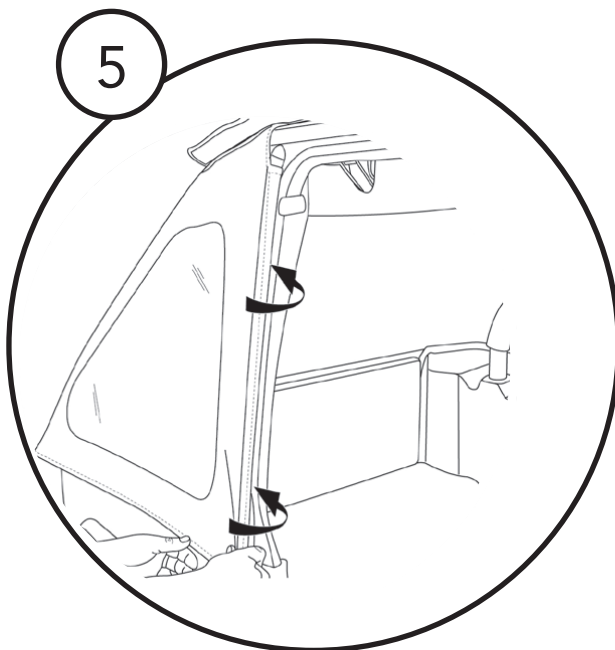
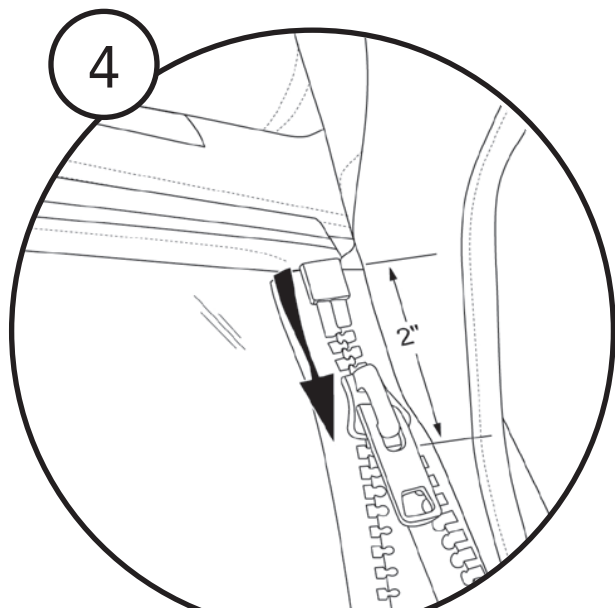


NOTE:

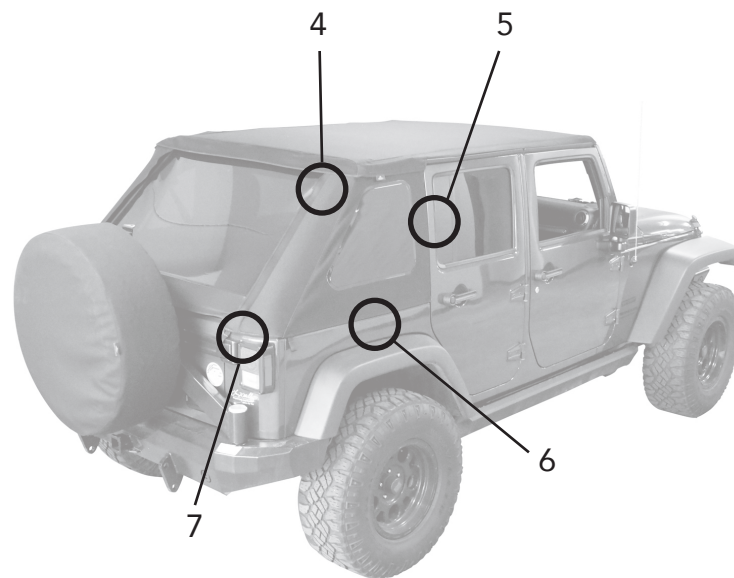
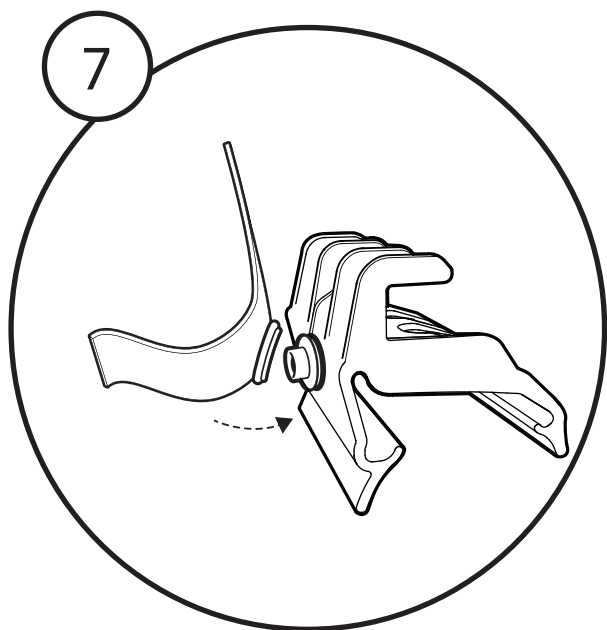
Make sure the top is open
(in the "Sunrider Position")

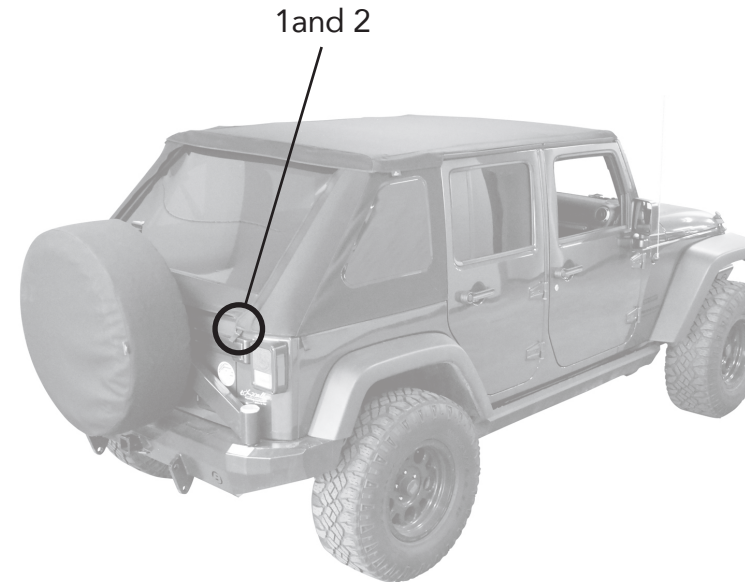
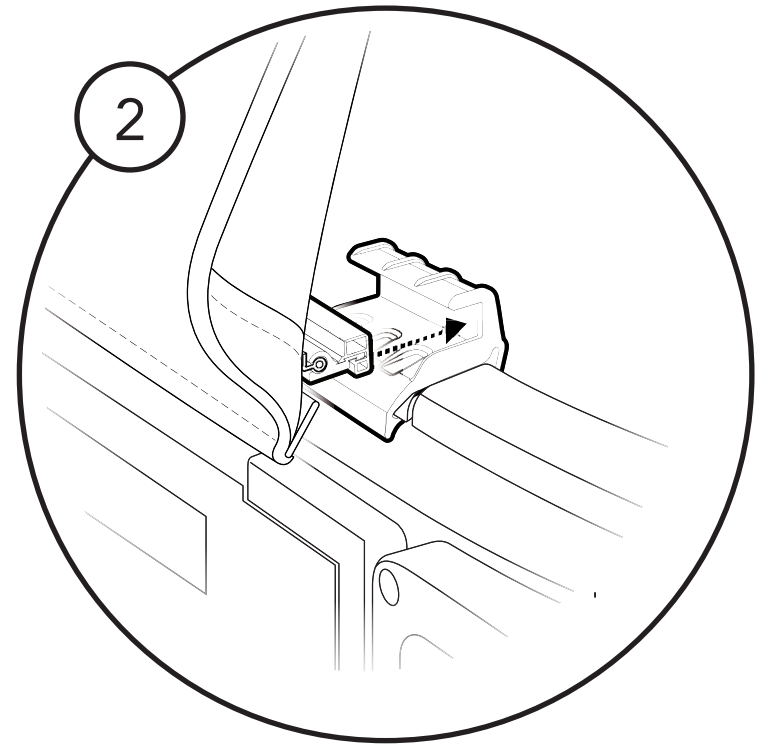
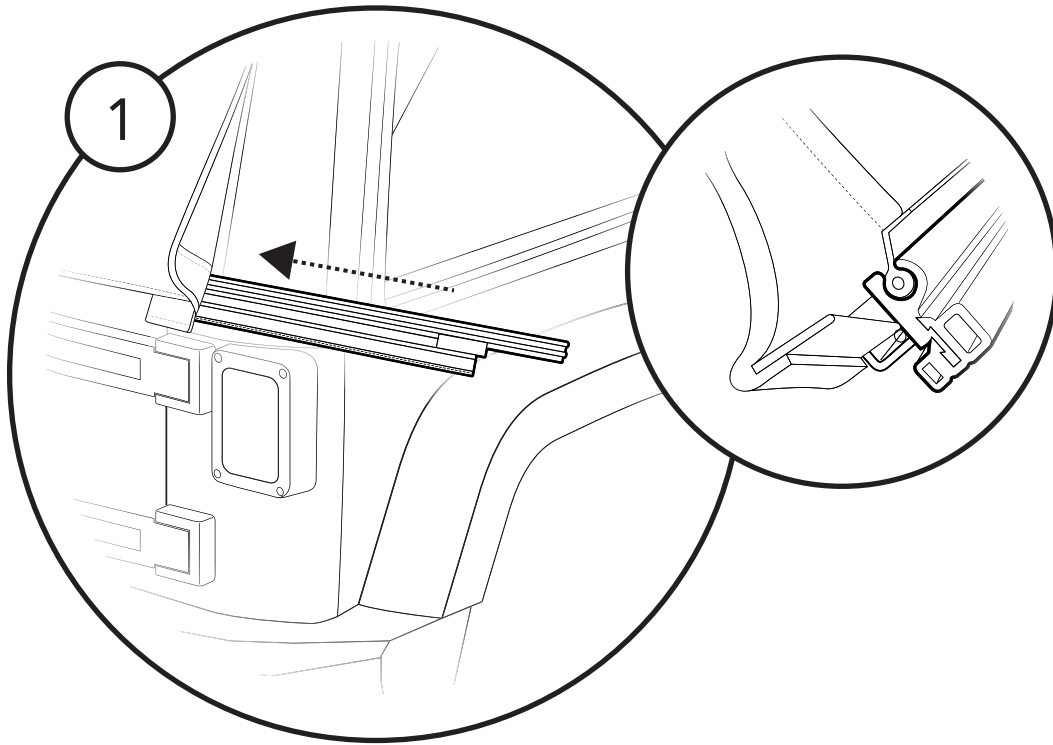


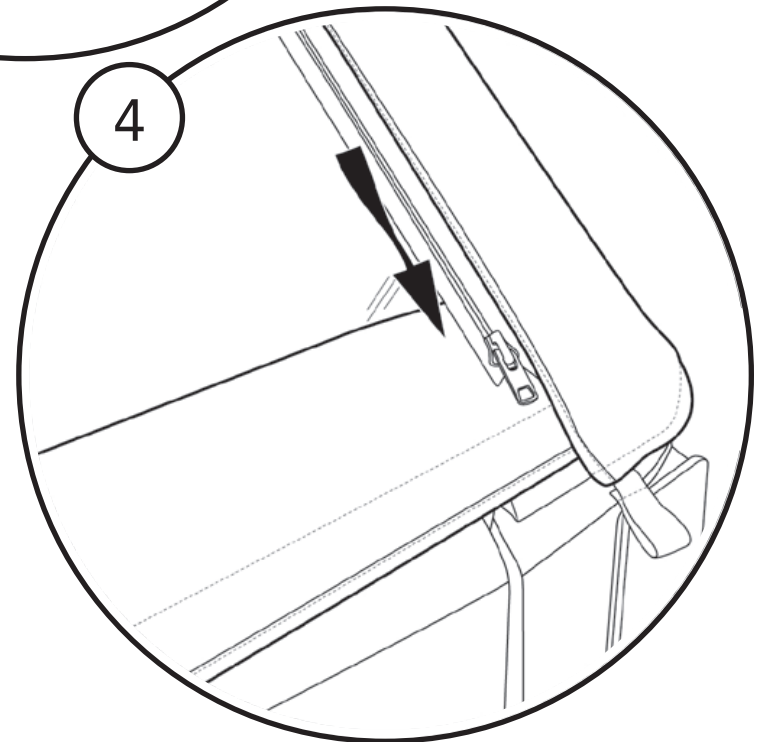
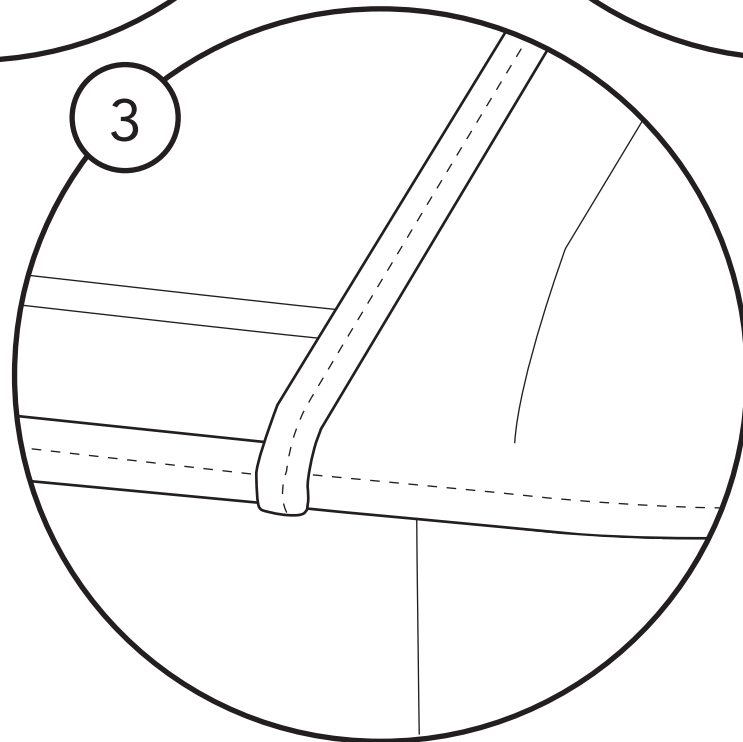
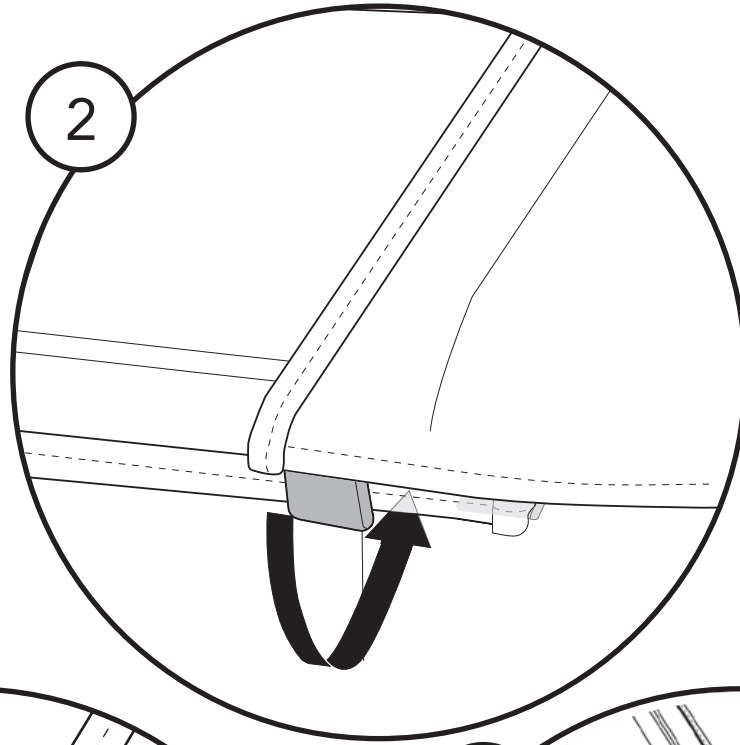
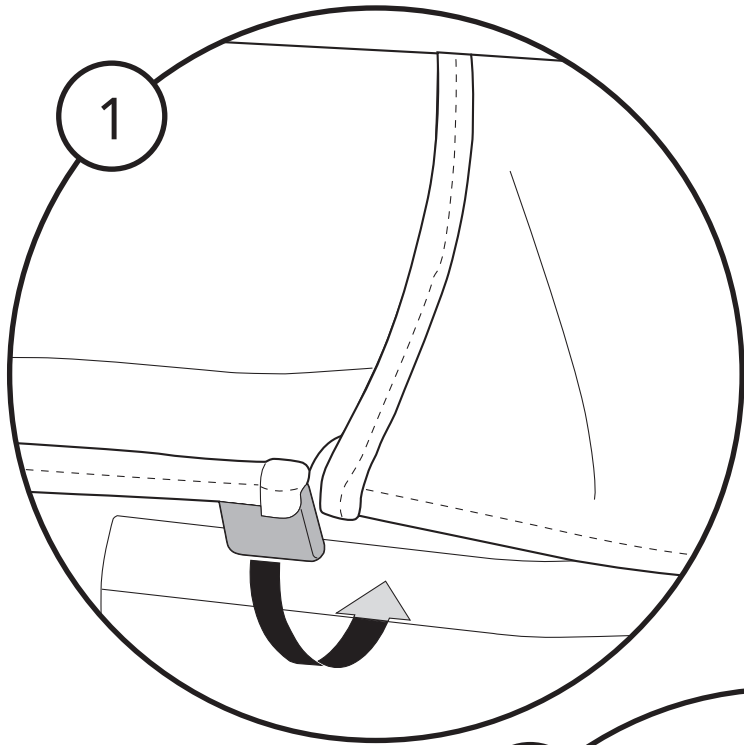
NOTE:
Make sure the fabric does not fold down when installing the side panel.

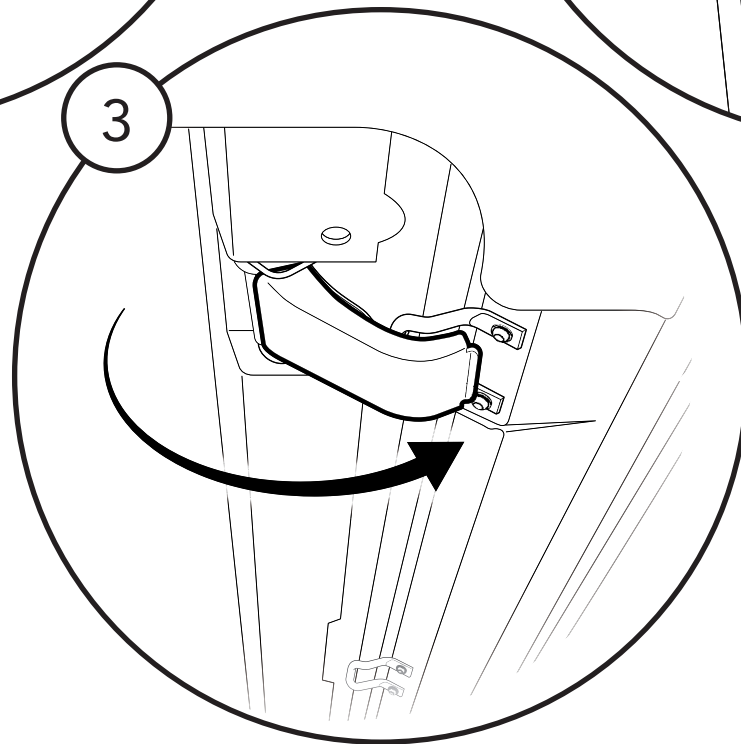
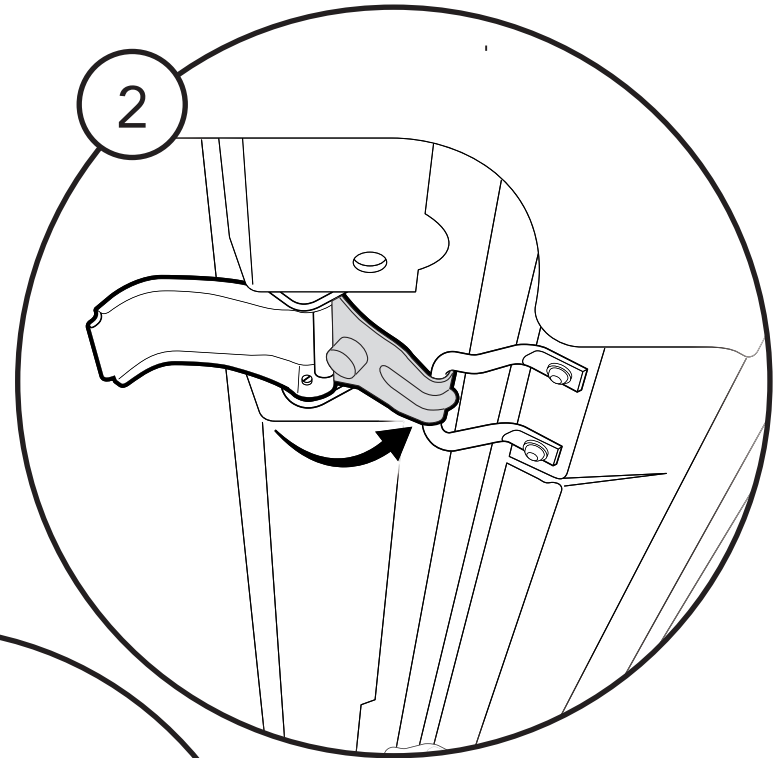
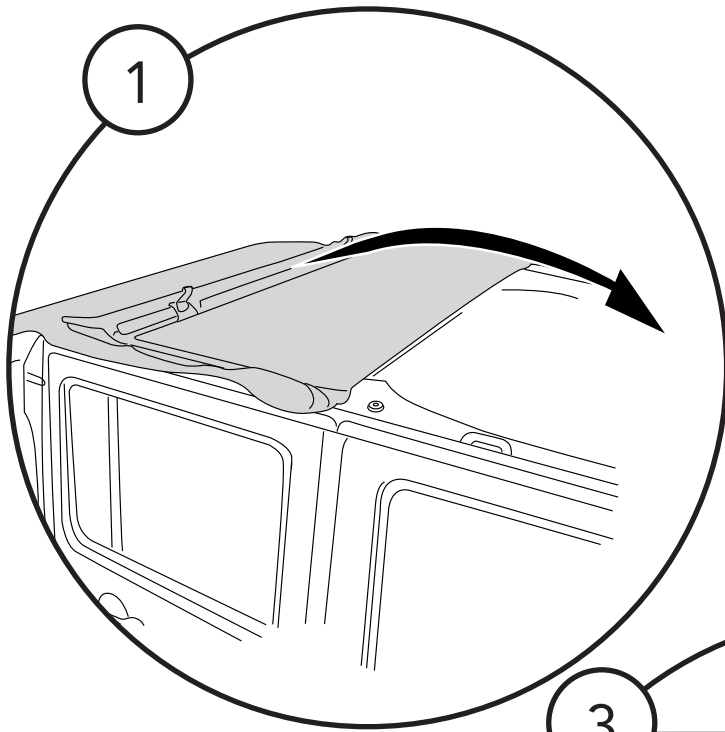


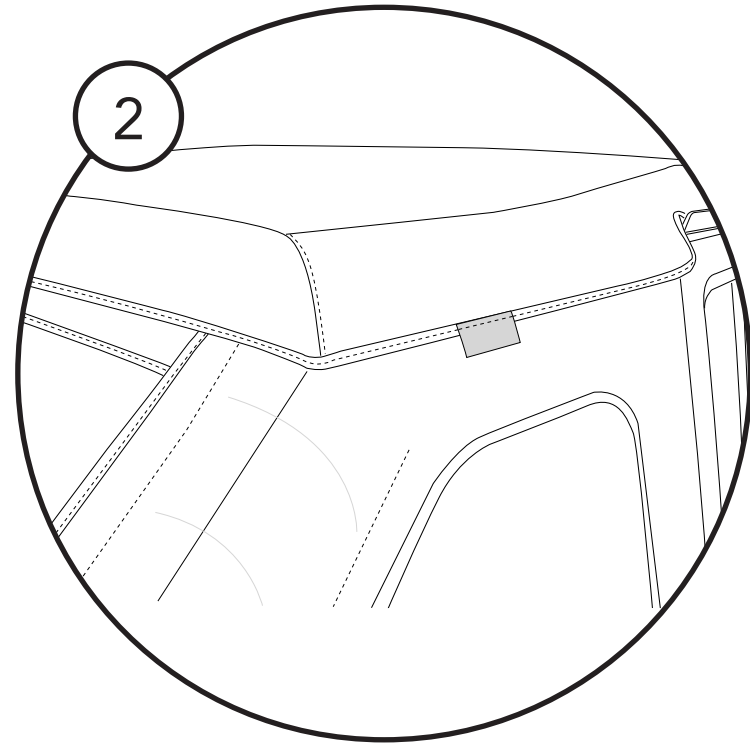
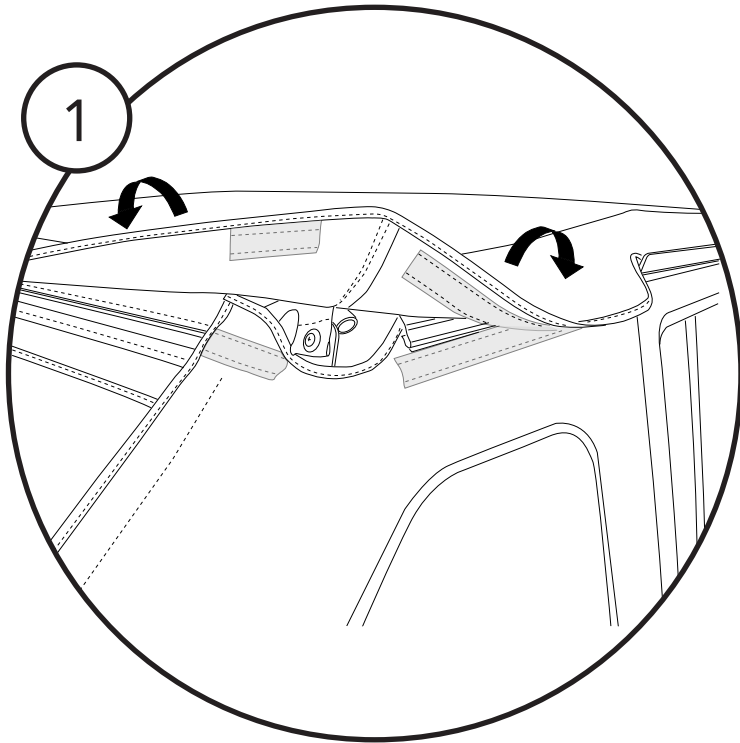
Start the zippers between both side panels and the rear window before attaching the plastic retainers.

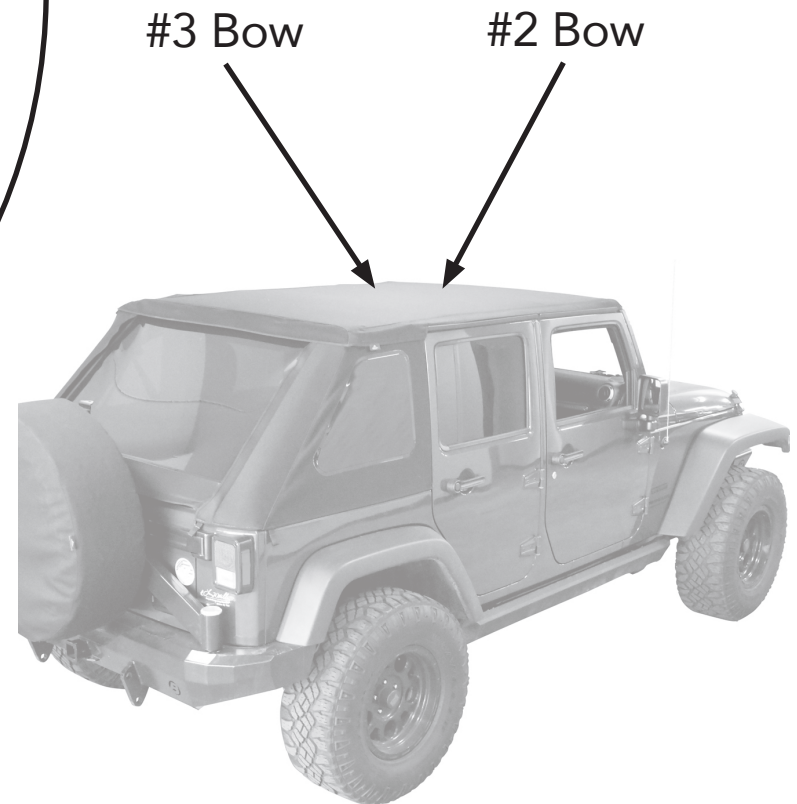
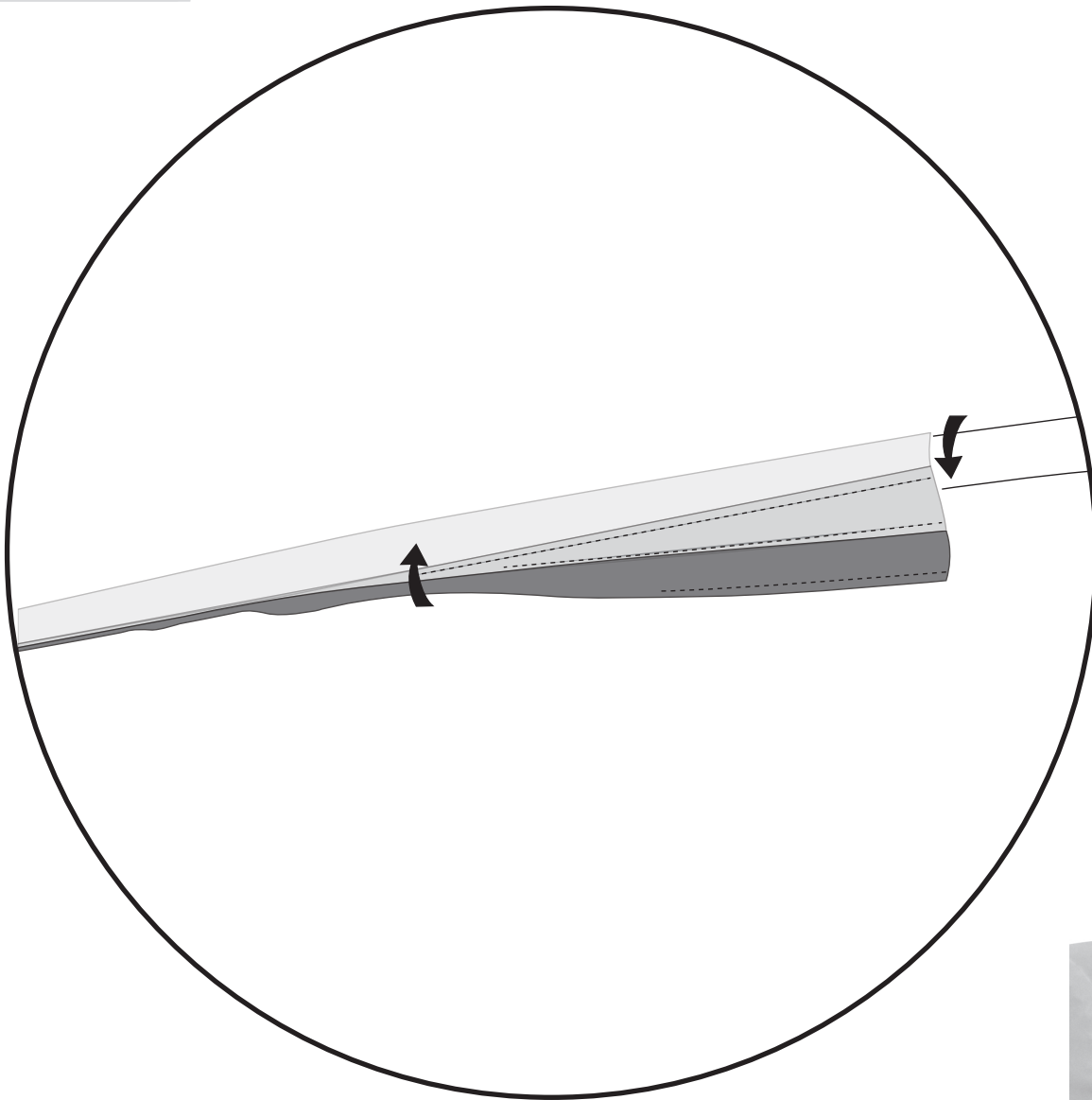














Care and Maintenance of your Bestop Product

Your Bestop product is made of the finest materials available. To keep it looking new and for the maximum possible wear, it will need periodic cleaning and maintenance.

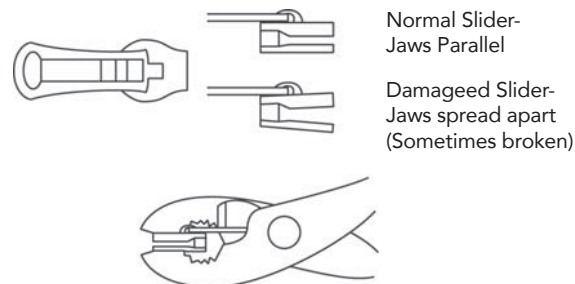
Fabric: The fabric should be washed often using soap, warm water and a soft bristle brush. Rinse with clear water to remove all traces of soap. Bestop recommends using Bestop Cleaner (part no. 11201-00) and Bestop Protectant (part no. 11202-00) for Vinyl fabric and Bestop Twill Protectant (part no. 11207-00) for Twill fabric. Bestop Cleaner and Bestop protectant are specially formulated to provide a total cleaning and protection system. Bestop Cleaner safely removes the toughest stains, will not harm vehicle finishes, is biodegradable and environmentally friendly. Bestop Protectant protects against UV-fading, cracking and hardening, and repels dust, grease, dirt and mildew.

Windows: Keep windows clean to avoid scratching. DO NOT use a brush on the windows! Wash with a water-soaked cloth or sponge and a mild dishwashing detergent. Bestop recommends Bestop Vinyl Window Cleaner (part no. 11203-00), which safely cleans and protects vinyl windows and helps prevent UV damage. NEVER WIPE THE WINDOWS WHEN THEY ARE DRY. Be careful when cleaning snow or frost from the vinyl windows since they are easily scratched and may crack at low temperatures. DO NOT roll the sides or rear window in cold weather. The windows become stiff and will crack. Cracks caused by misuse in cold temperatures are not covered under warranty.

Water: Seeping through at the seams may be stopped by applying 3-M Scotchgard® on the inside of the seams.

Snaps: Keep snaps cleaned and lubricated with silicone to help prevent snaps from sticking to the studs. If a snap does become stuck to a stud, use a screwdriver and GENTLY pry apart to prevent permanent damage to the snap or the top fabric.

Zippers: Keeping zippers cleaned and lubricated with Bestop's Zipper Cleaner (part no. 11206-00) will help prevent damage and keep the zippers in smooth working condition. If a zipper opens behind the slider, the slider may have been spread apart. This problem can usually be repaired by using an ordinary pair of pliers to bring the sides back into parallel. Return slider to the end of the zipper in the normal Open position. Squeeze lightly at first and test the zipper. If the zipper continues to remain open squeeze more firmly with the pliers and try the zipper again. Repeat this procedure until the zipper operates correctly.



For Bestop Warranty Information, Please go to;
<https://www.bestop.com/help/warranty-information/>

