



# Installation Instructions Trektop Halftop Kit

Vehicle Application:  
Jeep® Wrangler JK Unlimited 2007-2018  
Part Number 80103

## Installation Tips

**Before you begin installing your new Trektop NX, please read all the instructions thoroughly.**

**⚠ WARNING** Do not rely in any way on the components of this product to protect against injury or death in the event of an accident. Never operate the vehicle in excess of manufacturer’s specifications.

Read and follow, precisely, all installation instructions provided when installing this product. Failure to do so may result in a poor fit and could place occupants of the vehicle in a potentially dangerous situation.

For easier installation, the top should be installed at a temperature above 72° F. Below this temperature, the fabric may contract making it difficult to fit the vehicle.



**⚠ CAUTION** Safety glasses should be worn at all times when installing this product.

**WEAR SEAT BELTS AT ALL TIMES**

### Tools

### Installation Time

### Support



Safety Glasses



Ratchet



13mm Socket



Utility Knife

**1 00** 1 Hour

### Skill Level

1 **2** 3 4

2 - Moderatly Easy

We're here to help!  
Go to [www.Bestop.com](http://www.Bestop.com) and click on "Need Help?"



## Installation Instructions Trektop Halftop Kit

Vehicle Application:  
Jeep® Wrangler JK Unlimited 2007-2018  
Part Number 80103

### Sugerencias de Instalación

**Antes de empezar a instalar esta unidad, lea atentamente todas las instrucciones.**

**Para un buen ajuste:**

Para facilitar la instalación, el producto debe instalarse a temperaturas superiores a 72 °F (22 °C).

Por debajo de esta temperatura, la tela puede encogerse una pulgada o más, lo que dificultaría su ajuste al vehículo.

Es normal que la tela se contraiga o arrugue cuando está guardada en la caja de empaque. A los pocos días después de la instalación, la tela se relajará y las arrugas desaparecerán.



#### ADVERTENCIA

Este producto se diseñó principalmente para mejorar la apariencia del vehículo y proteger a los ocupantes de las condiciones climáticas comunes. De ninguna manera piense que los componentes de este producto pueden servir como medio de contención para los ocupantes del vehículo o que pueden protegerlos contra lesiones o la muerte en caso de accidente. Este producto no protegerá a los ocupantes contra caídas de objetos. Nunca conduzca este vehículo fuera de las especificaciones del fabricante.

#### USE LOS CINTURONES DE SEGURIDAD EN TODO MOMENTO

Lea y siga con precisión todas las instrucciones de instalación que se proporcionan para instalar este producto. Si no lo hace, podría producirse un mal ajuste que colocaría a los ocupantes del vehículo en una situación potencialmente peligrosa.



#### PRECAUCIÓN

Debe usar gafas protectoras en todo momento durante la instalación de este producto.

### Conseils pour l'installation

**Lire toutes les instructions au complet avant de commencer l'installation de cet assemblage.**

**Pour un ajustement sans problème :**

Afin de faciliter l'installation, ce produit doit être installé à des températures au-dessus de 72 °F (22 °C).

Sous cette température, le tissu peut rétrécir d'un pouce (2,5 cm) ou plus, ce qui rendra l'ajustement sur le véhicule difficile.

Il est normal que le tissu rétrécisse et plisse pendant qu'il est dans la boîte d'expédition. En quelques jours après l'installation, le tissu se détendra et les plis disparaîtront.



#### AVERTISSEMENT

Ce produit est conçu principalement pour améliorer l'apparence du véhicule et pour protéger les occupants des conditions météorologiques usuelles. Ne jamais se fier aux composants de ce produit pour se protéger de blessures ou de la mort en cas d'accident. Ce produit ne protégera pas les occupants des chutes d'objets. Ne jamais utiliser le véhicule au-delà des caractéristiques techniques indiquées par le fabricant.

#### PORTER UNE CEINTURE DE SÉCURITÉ EN TOUT TEMPS

Lire et suivre, très fidèlement, toutes les instructions d'installation fournies lors de l'installation de ce produit. Ne pas suivre cette consigne peut causer une installation inadéquate et mettre les occupants du véhicule dans une situation potentiellement dangereuse.



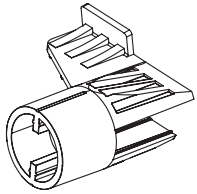
#### MISE EN GARDE

Des lunettes de sécurité doivent être portées en tout temps lors de l'installation de ce produit.

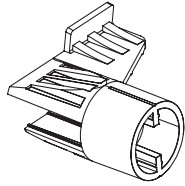


# Installation Instructions Trektop Halftop Kit

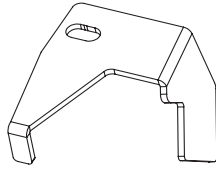
Vehicle Application:  
Jeep® Wrangler JK Unlimited 2007-2018  
Part Number 80103



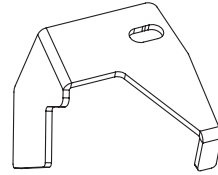
Plastic End Cap  
Right  
Part # 592.66  
Qty. 1



Plastic End Cap Left  
Part # 593.71  
Qty. 1



BRKT, D Pillar Right  
Part #616.30  
Qty. 1 ea



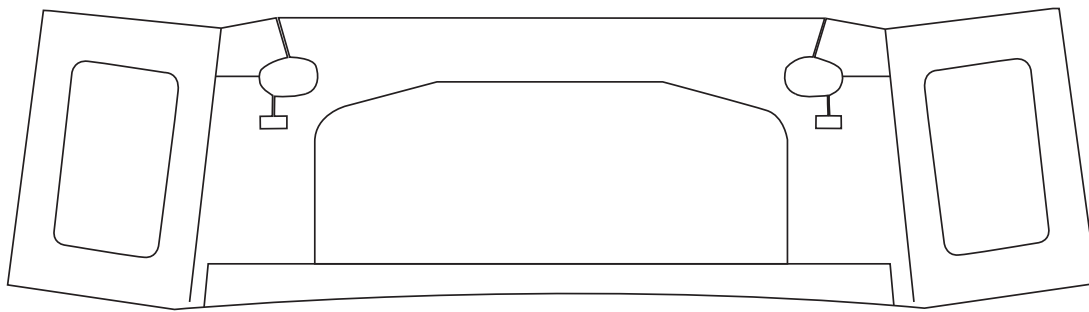
BRKT, D Pillar Left  
Part #616.31  
Qty. 1 ea



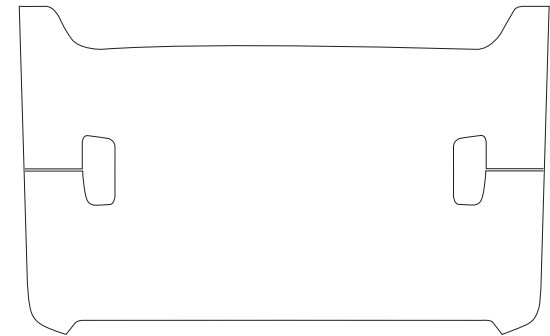
Bow D Pillar  
Part #616.61  
Qty. 2



Extruded Aluminum Bow  
Qty. 1  
Part # 620.81



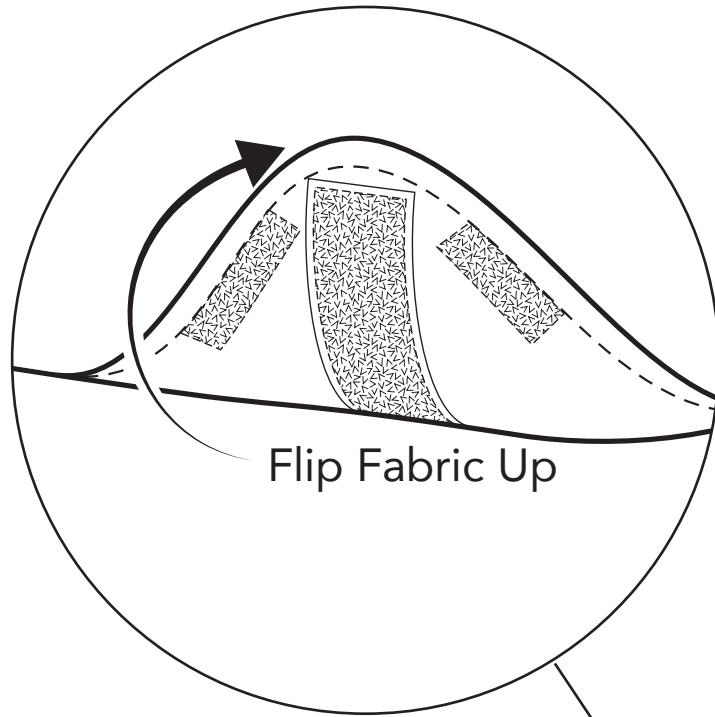
Windjammer Assembly



Duster Assembly

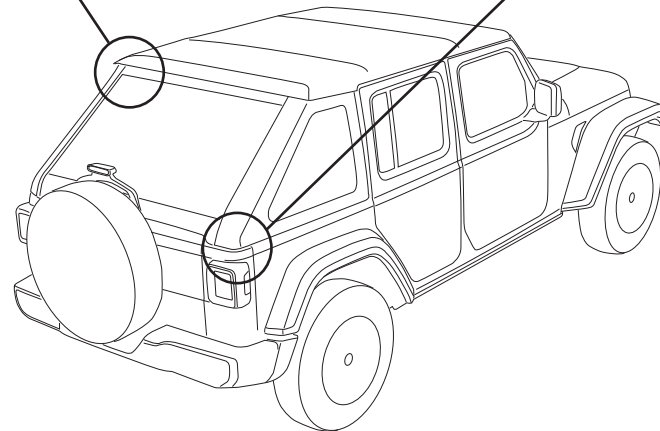
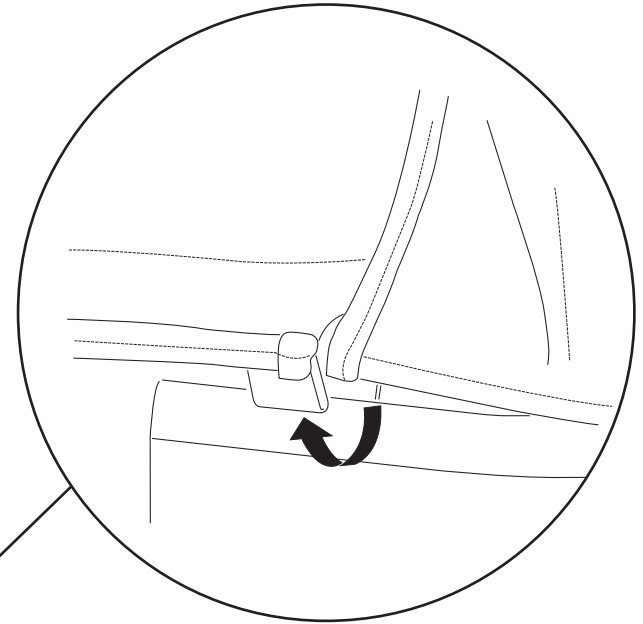
1

Fold back the rear corners of the top then open the tailgate.



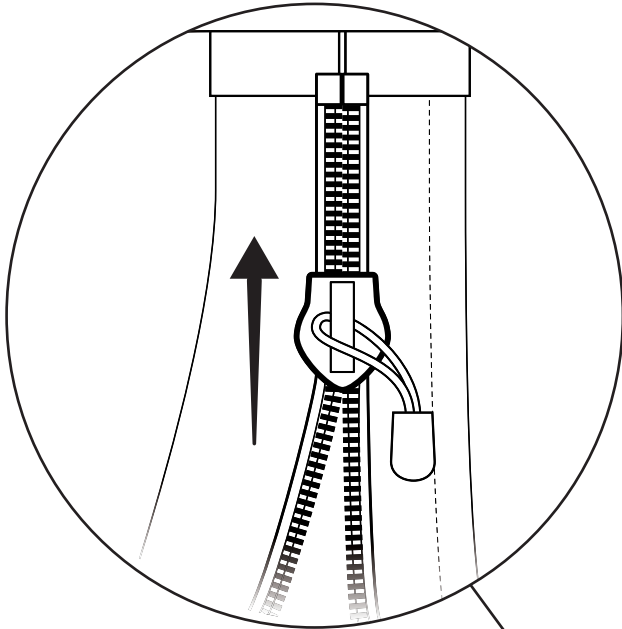
2

Pull the plastic retainer (Sewn to the lower corner of the Rear Window) out of the Tailgate Clip. Repeat this on the left side of the window.



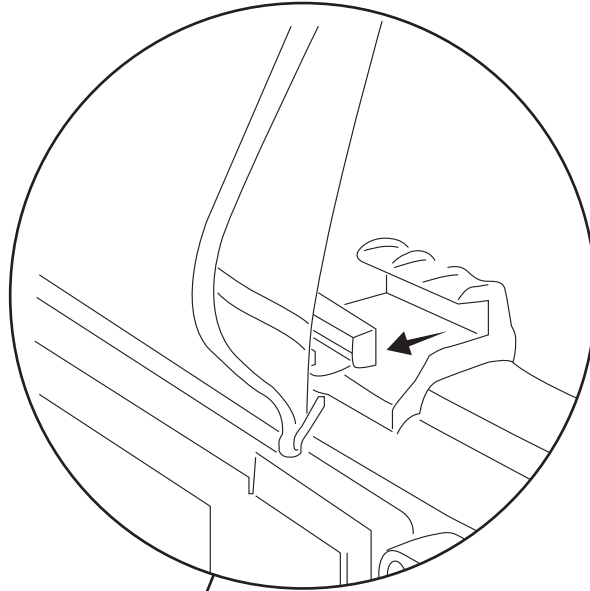
3

Un-zip both sides of the rear window.



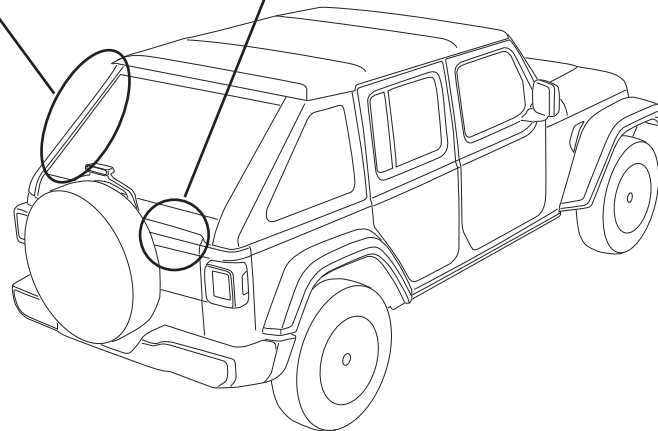
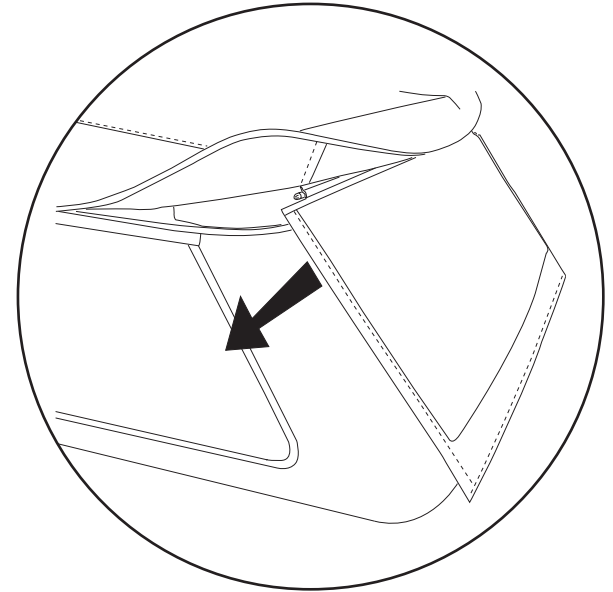
4

With Tailgate open, Pull the Tailgate bar from the Tailgate Clips on both sides.



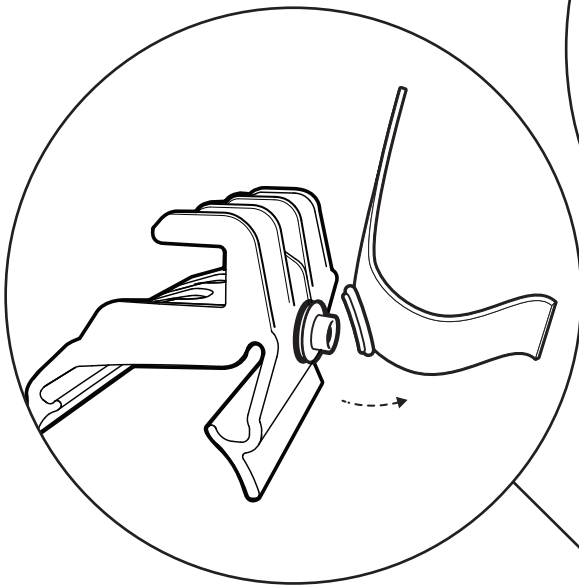
5

Slide the top of the window to the left to remove it from the vehicle.



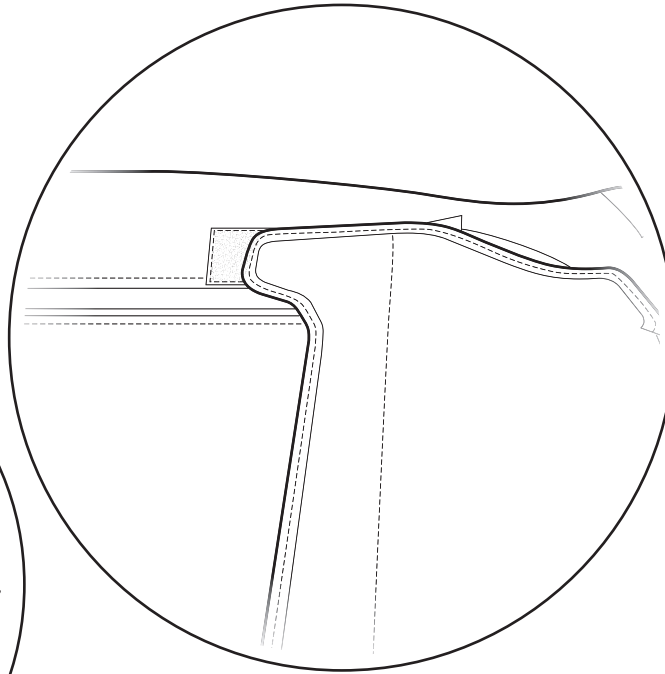
1

Disconnect the snap strap from the tailgate bar retainer clips.



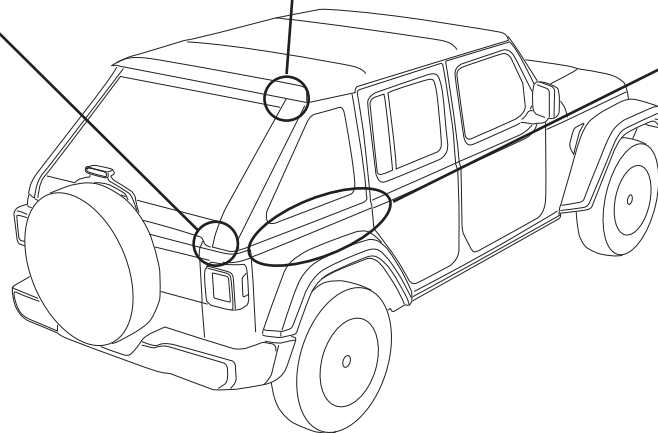
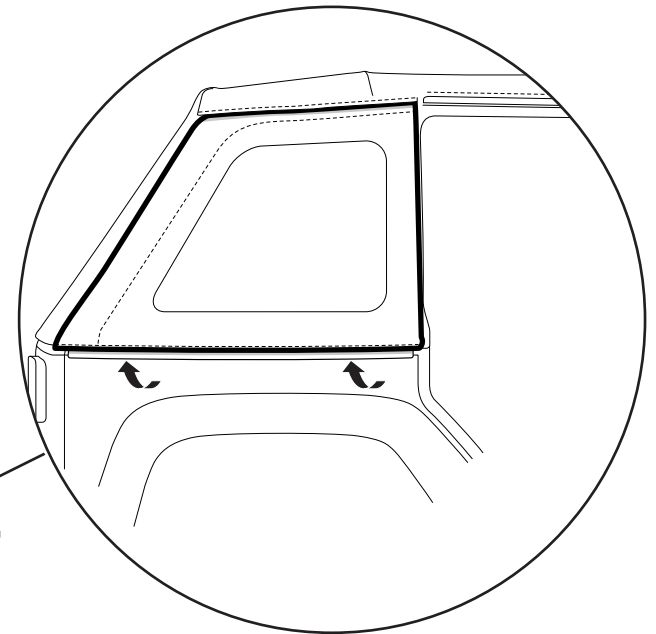
2

Disconnect the top of the side panel from the rear of the top panel from the rear of the top



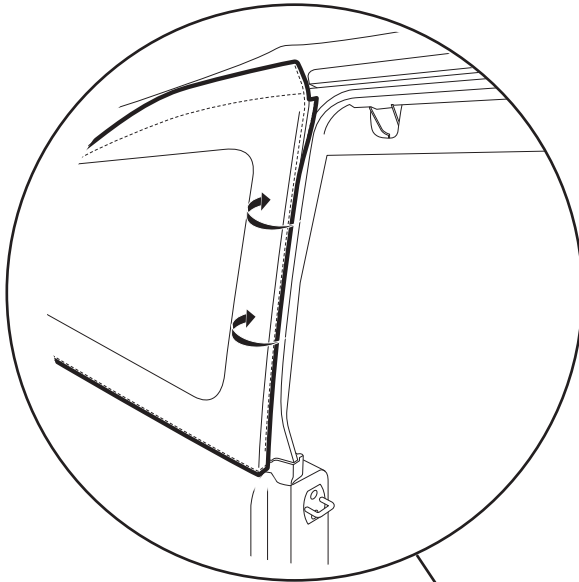
3

Pull the plastic retainer out of the "J" Rail. (Vehicle Body)



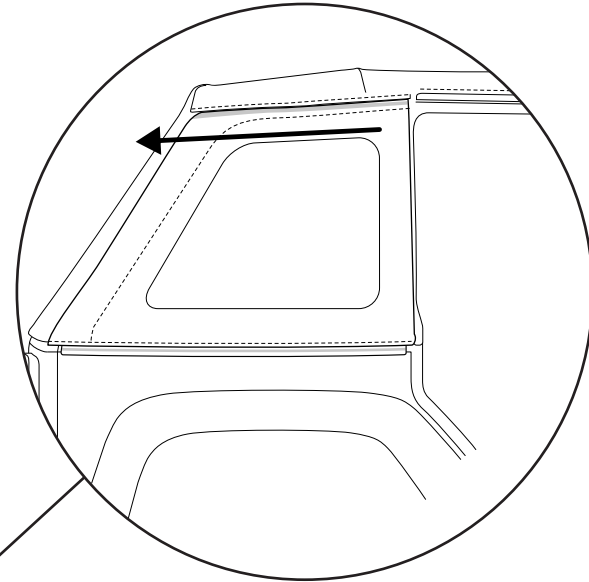
4

Remove plastic retainer from door rail.

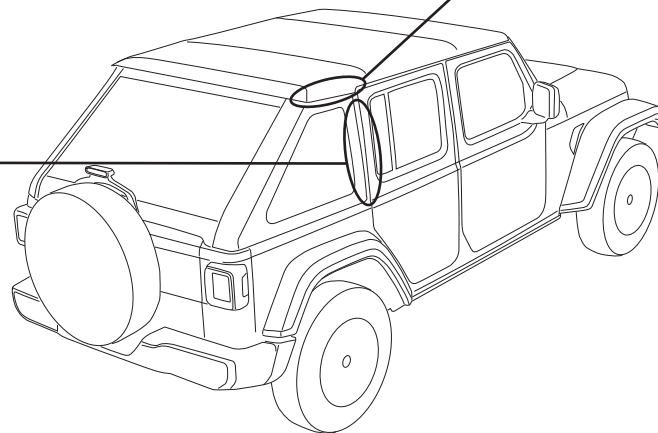


5

Slide the top of the side panel to the rear of the vehicle.

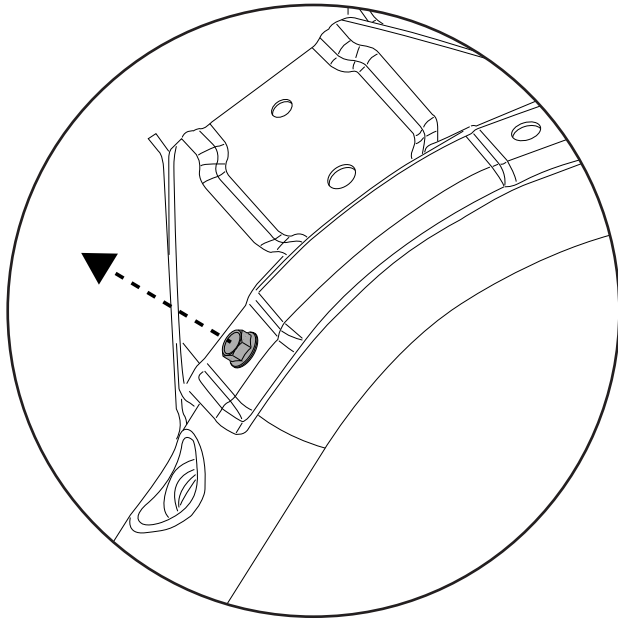


Repeat these steps on the left side of the vehicle.



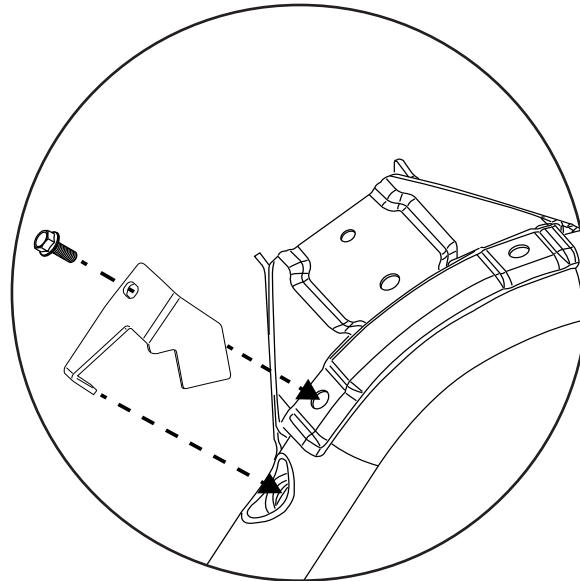
1

Unzip the sportbar cover. Remove existing bolt from sport bar.



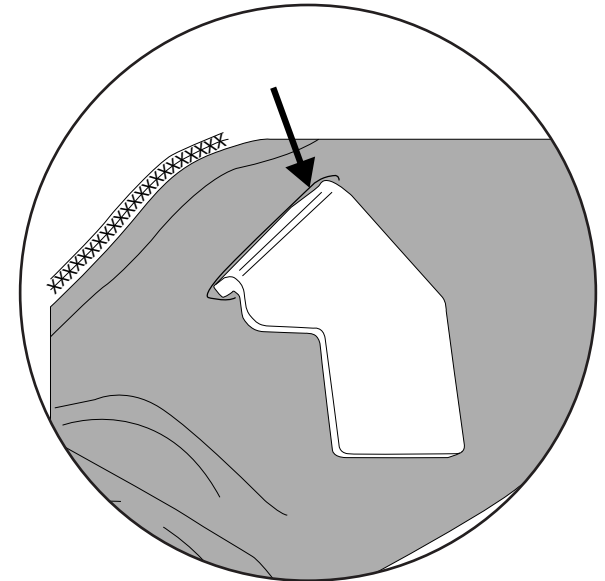
2

Place the "D" Pillar Bracket over the hole with the lower tab going into the tube in the sport bar then replace the bolt removed in step 1.



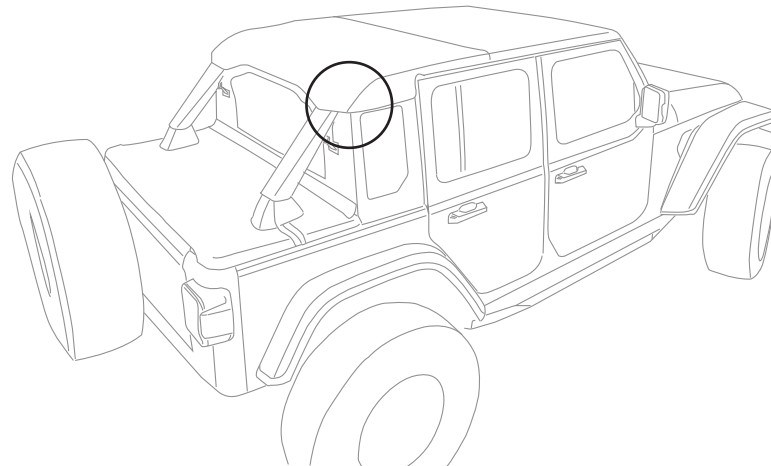
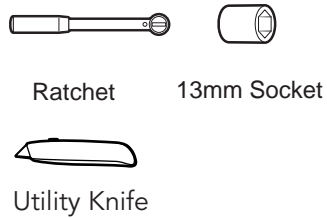
3

Cut a slit in the sport bar cover to allow the large tab to be exposed when the cover is zipped back up.

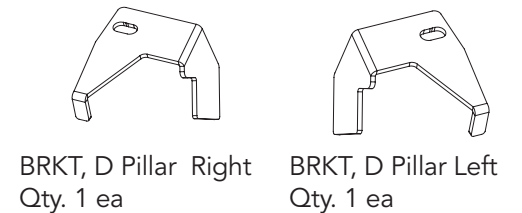


Repeat these steps on the left side of the vehicle.

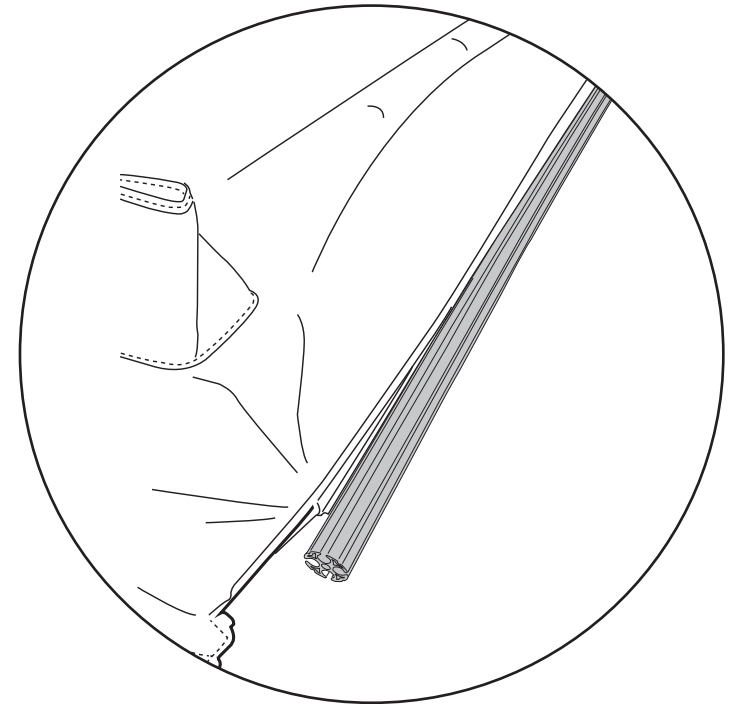
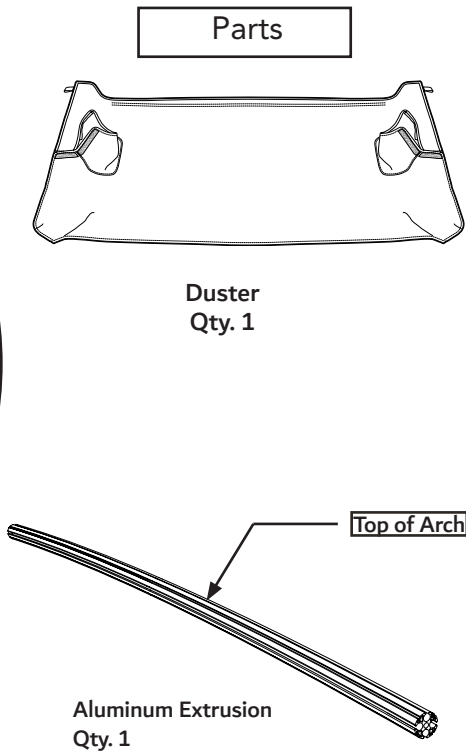
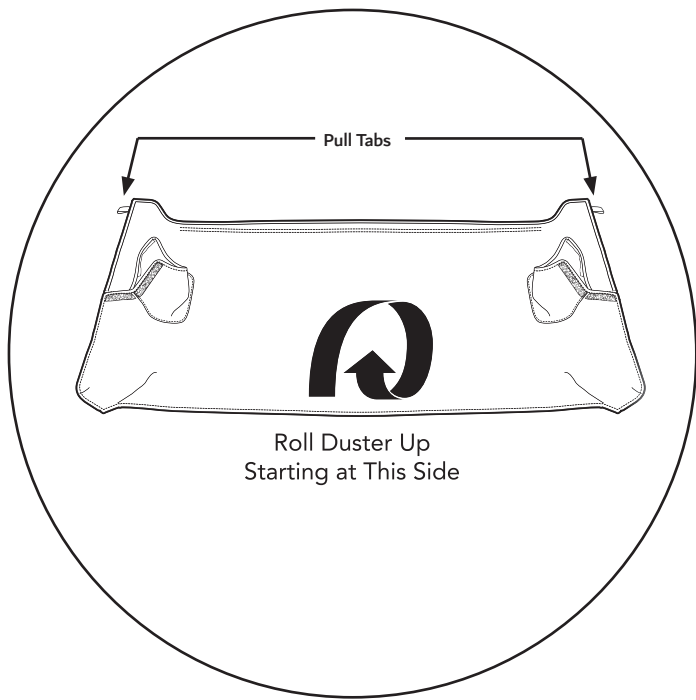
**Tools**



**Parts**







Starting on the side of the duster without the pull tabs, roll the Duster up loosely. The side of the Duster with the pull tabs is the front edge.

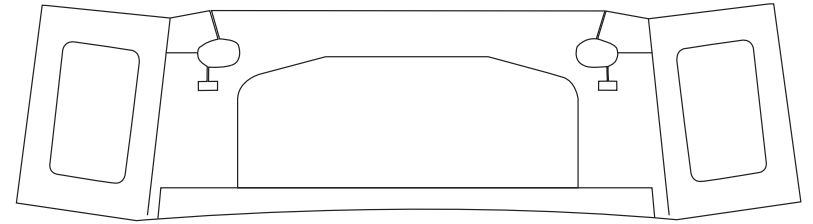
With the Duster loosely rolled up, slide the P-Extrusion along the exposed front edge of the Duster into the top slot of the Extruded Aluminum Bow, using the slot in the Bow that is on top of the arch and facing up.

**NOTE:** Aluminium Extrusion has arch. The Duster should be in the top part of the arch.

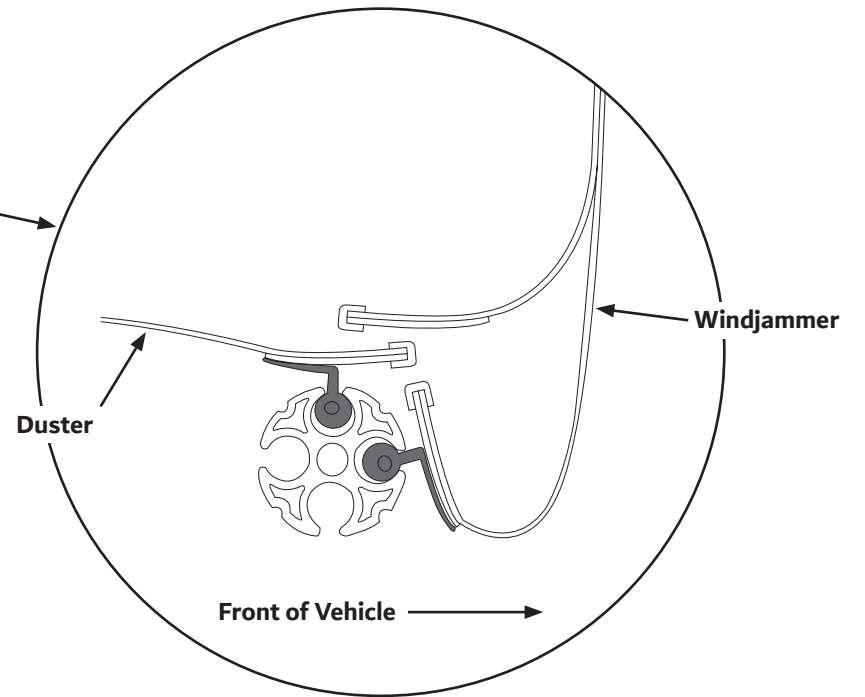
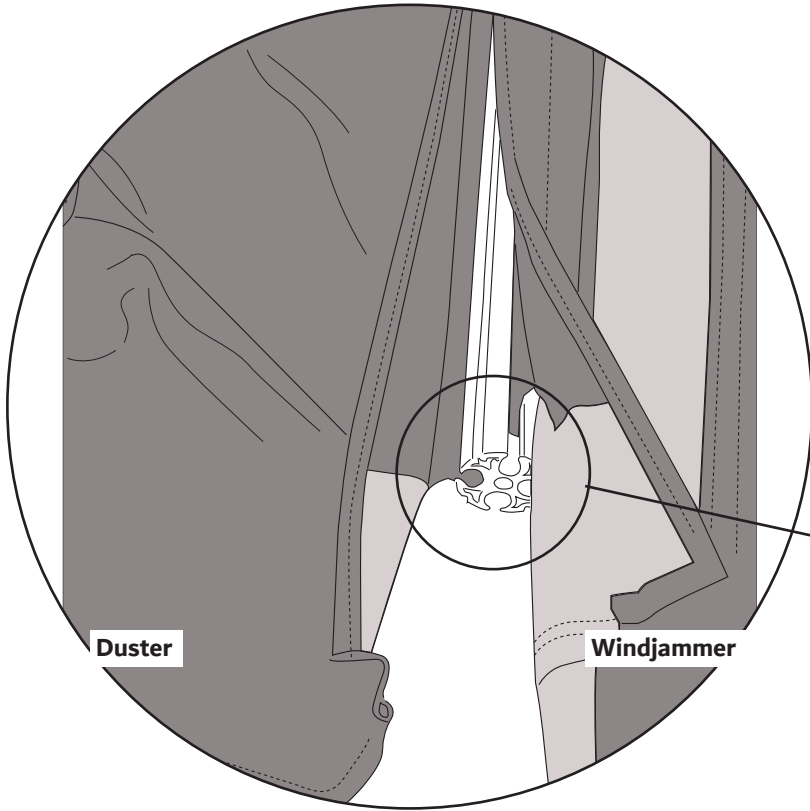
1

Slide the sewn in P-extrusion into the front channel of the Aluminium Extrusion (Part #620.81).

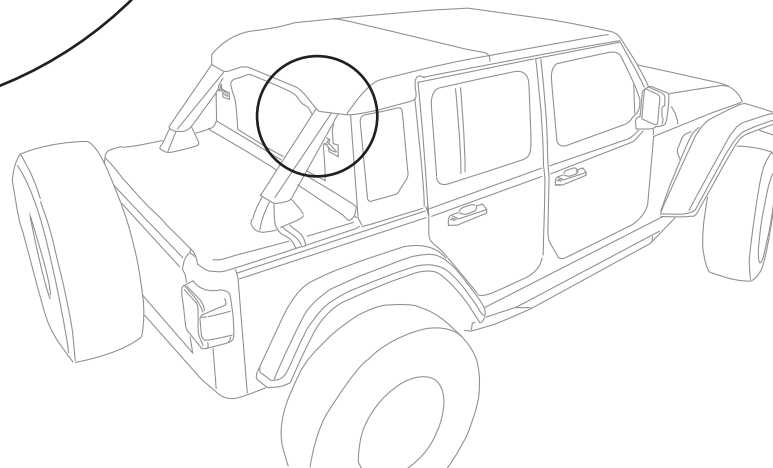
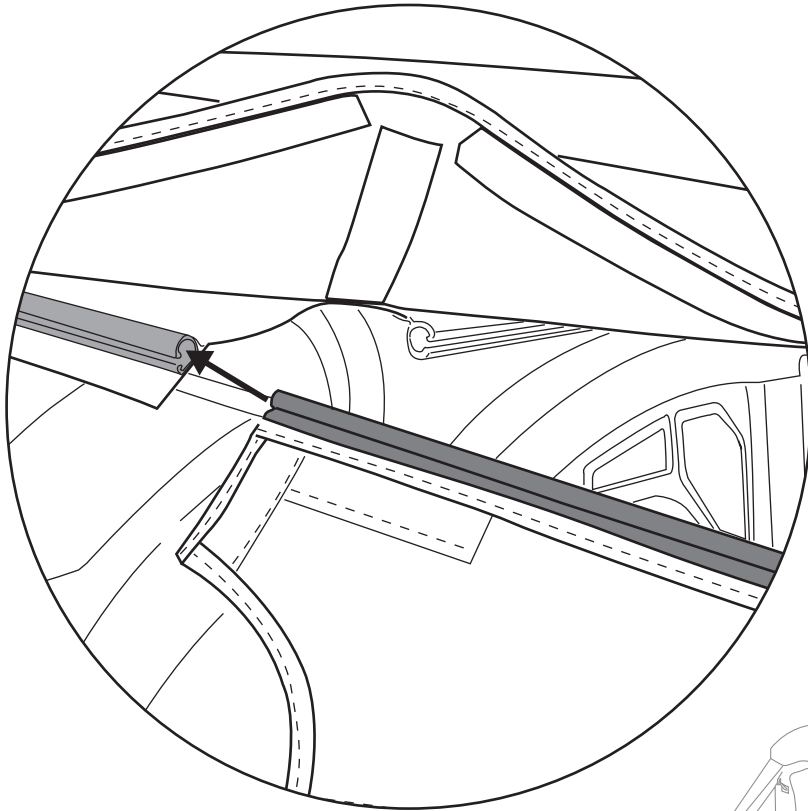
Parts



Windjammer Assembly

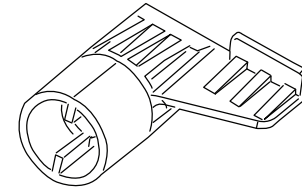


Slide the Rubber Retainer located at the top (Center Section) of the Windjammer into the Plastic "C" channel located at the rear of the Top (Under the rear flap) until the Windjammer is centered on the Top.

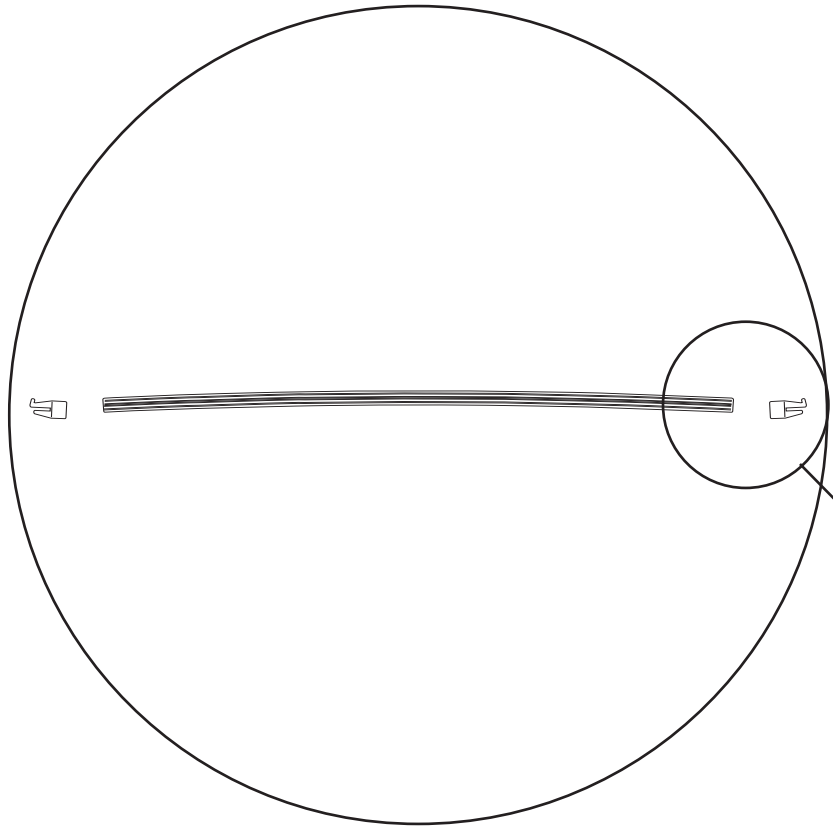
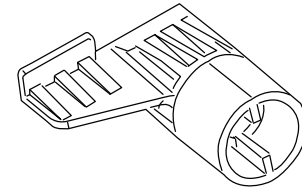


Parts

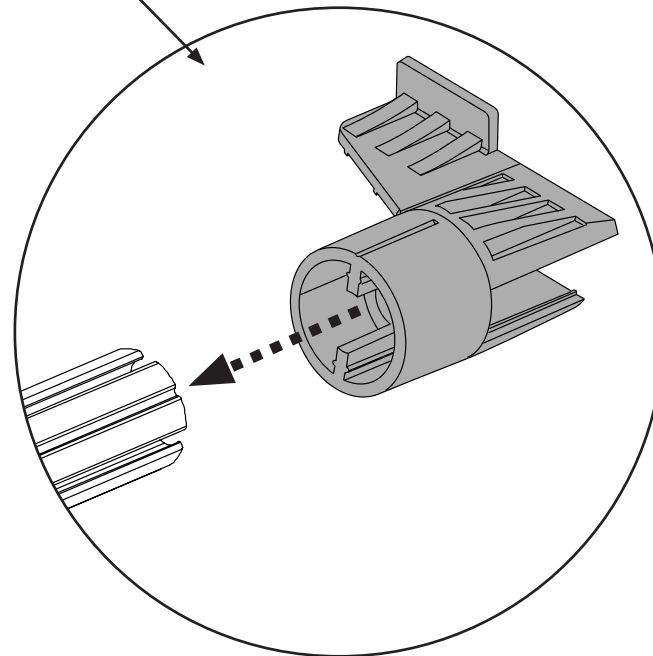
Plastic End Cap - Left  
Qty. 1



Plastic End Cap - Right  
Qty. 1



Place the Plastic End Cap (Right) on the passenger side of the Aluminium Extrusion and Plastic End Cap (Left) on the driver side. The internal ribs inside the round opening of each end cap will slide into the slots on the top and bottom of the aluminium extrusion.

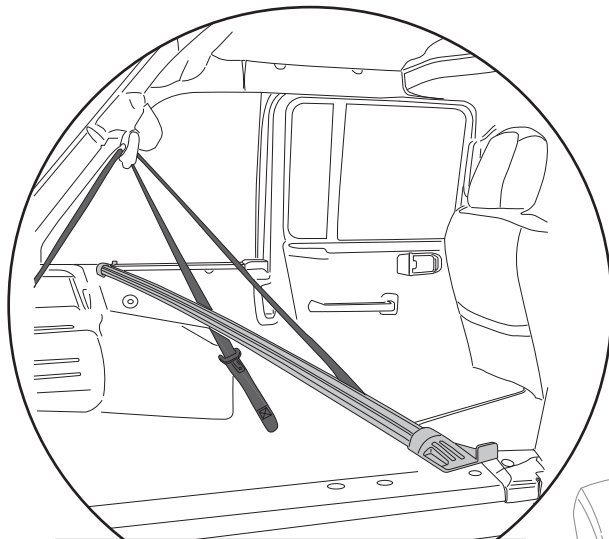


**NOTE:** The Wing must go towards the front of the vehicle with the Tab pointing up.

1

Fold both rear seats forward. (Refer to Owners Manual)  
Set End Cap as far rearward on the driver side then set the other end cap as far forward as possible on the passenger side. You will have to move the lower leg of the Rear Door Rail away from the body to get the passenger side clip started.

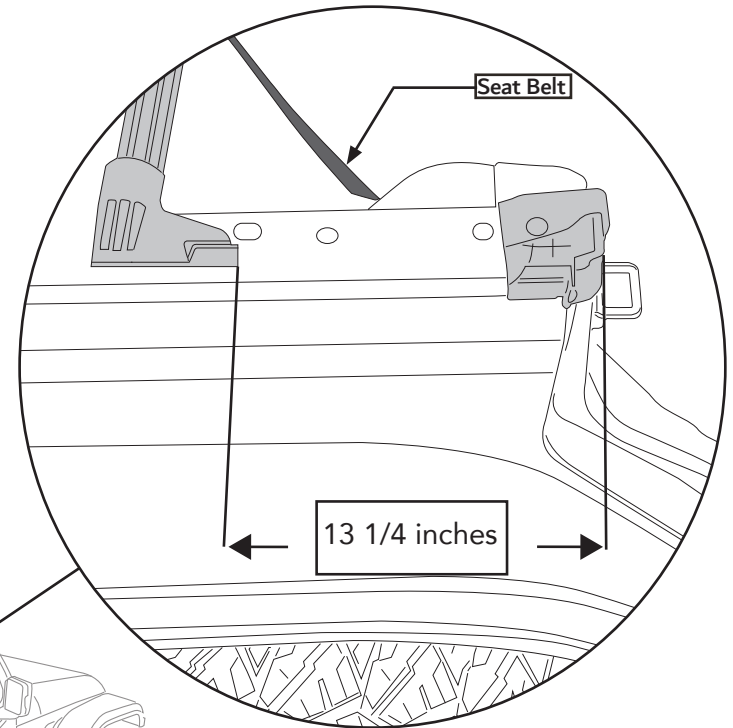
**NOTE:** You must place the Extrusion and Fabric Assemblies through the Seat Belts to properly install the Duster and the Windjammer.



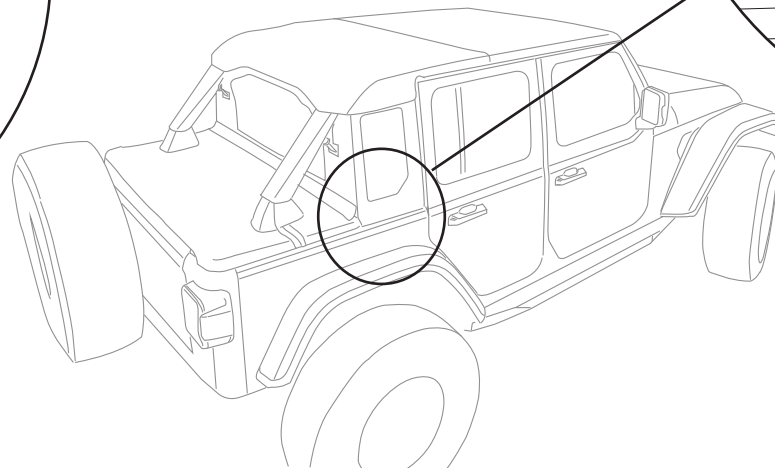
Fabric not shown for illustration purpose only.

2

Slide the Bow End forward (Driver Side) and Rearward (Passenger Side) until you reach the 13 1/4 inch dimension from the front of the Extrusion to the front edge of the Rubber Seal at the top and rear of the door opening.

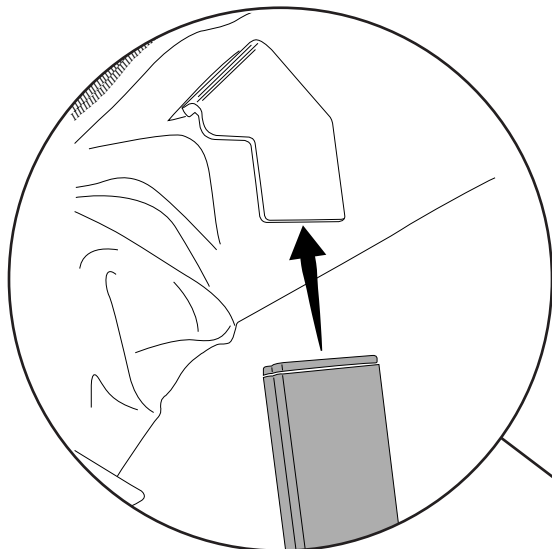


**NOTE:** 13 1/4 inches is the starting point for the Bow End location. You will be able to move the Bow Ends forward or backwards for small adjustments as necessary..



1

Insert the top of the D Pillar Bow onto the Bow Support Bracket and push it all of the way up.



Parts

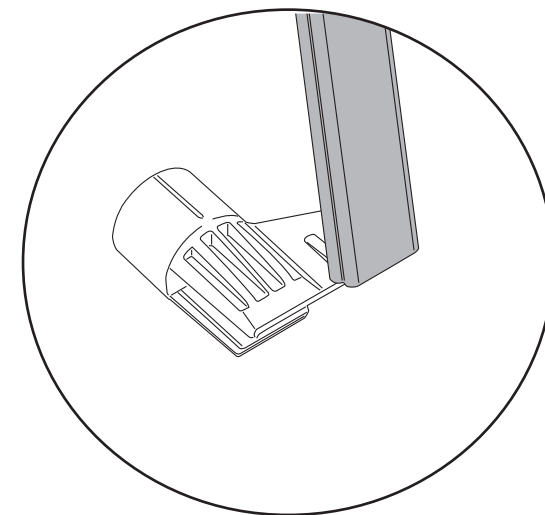
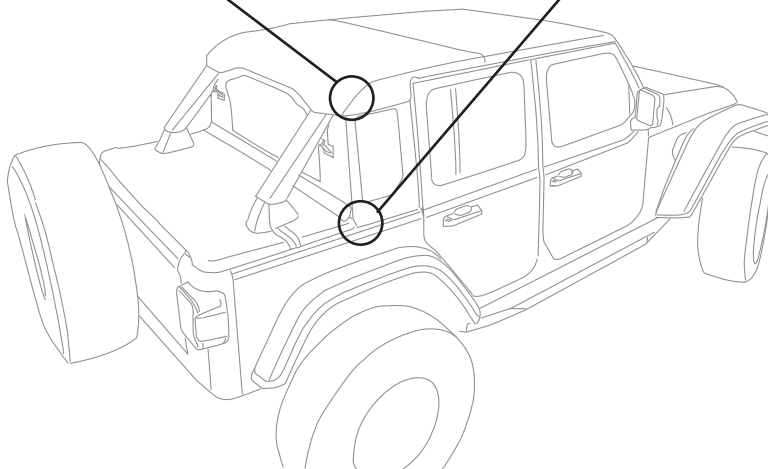
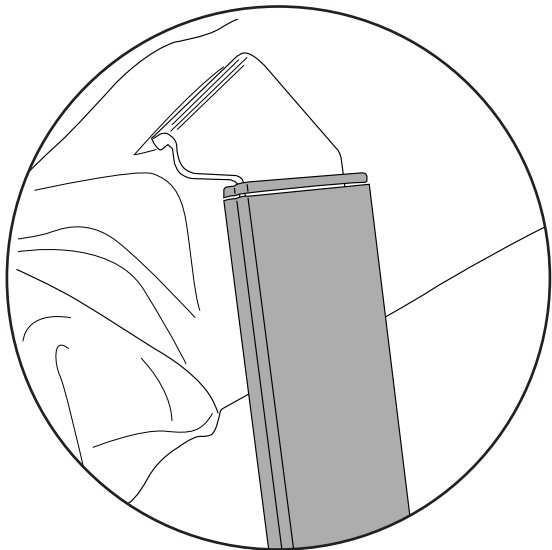
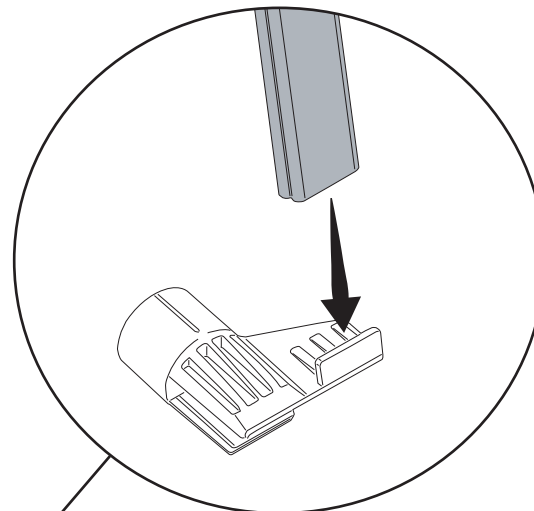


Bow D Pillar  
Qty. 2

2

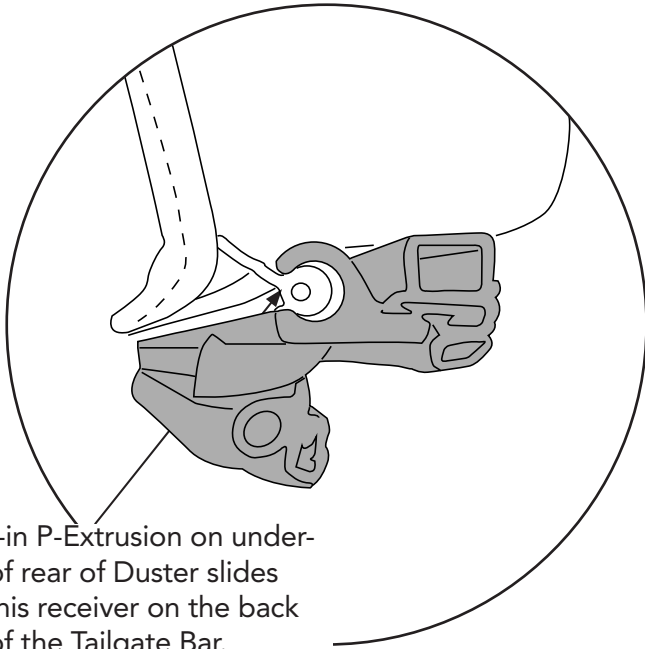
Align the D Pillar Bow with the tab on the End Cap then pull the D Pillar bow down onto the tab.

Repeat the steps on left side of the vehicle.



1

Attach the Tailgate Bar to the sewn-in P-Extrusion rail on the underside of the rear of the Duster. Slide the Tailgate Bar all the way across the "P" extrusion. (As it was on the rear window of the Trektop)

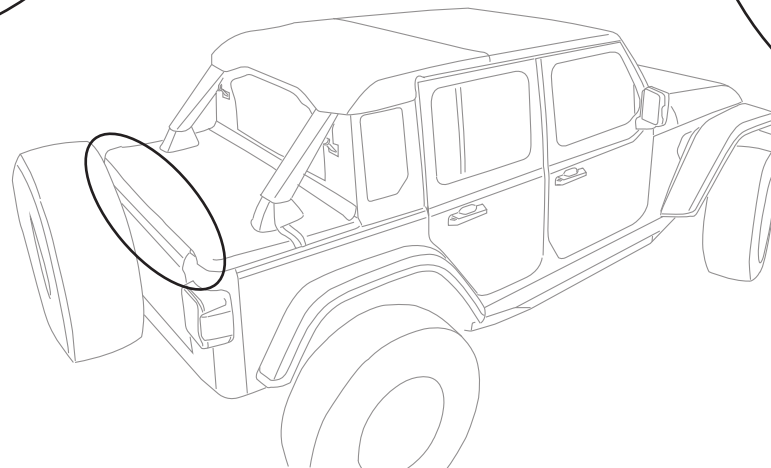
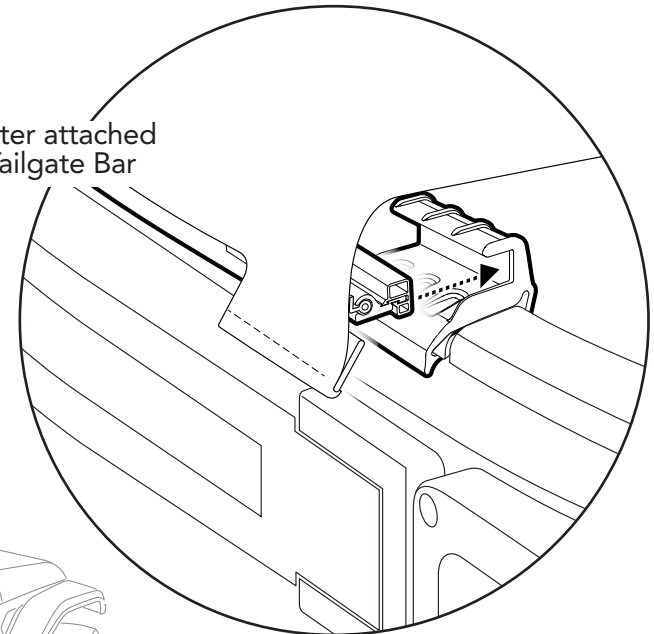


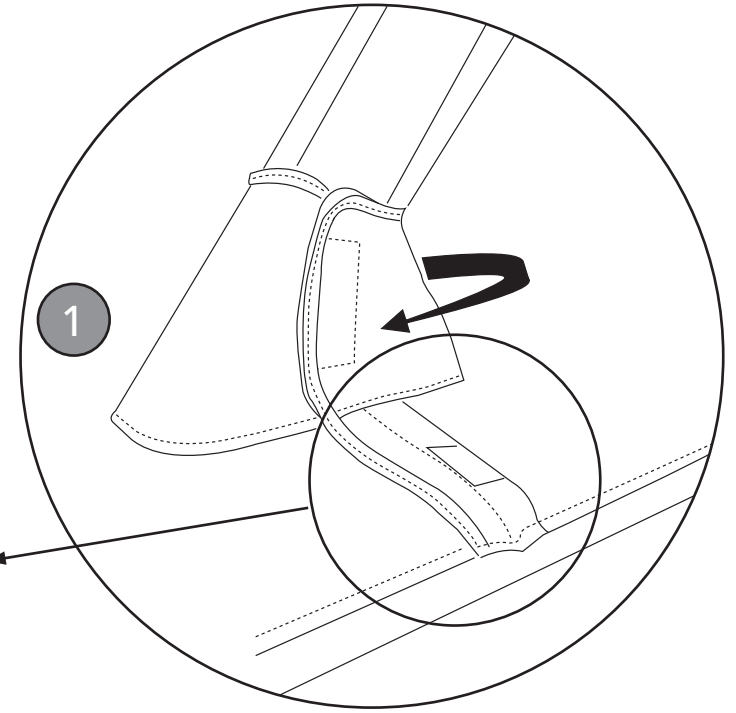
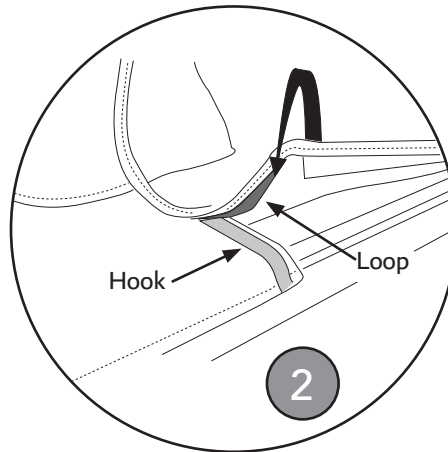
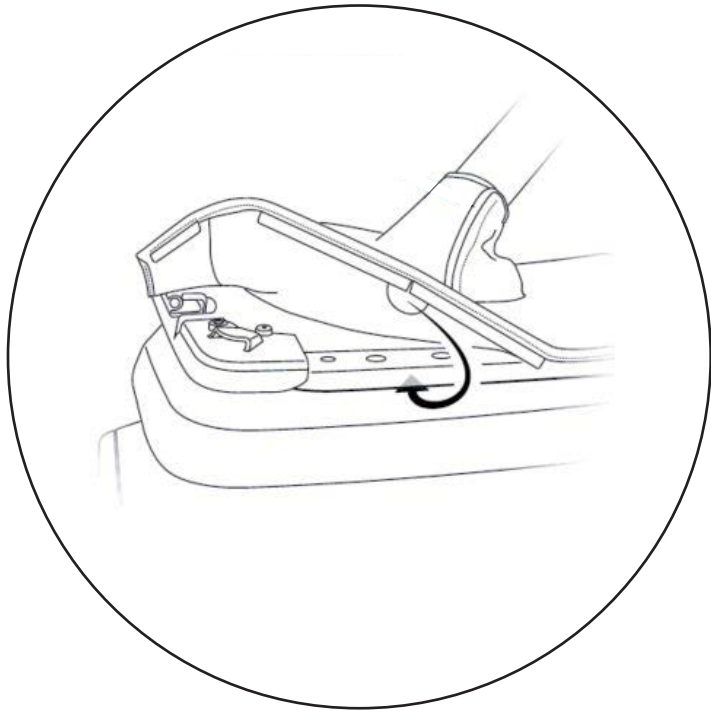
2

Secure the Tailgate Bar with attached Duster to the Tailgate Bar Retainers. Press the Tailgate Bar into the receiver on each Tailgate Bar Retainer.

**NOTE:** The bulb seal on the Tailgate bar must hang below the bar and face rearward for the tailgate to touch it.

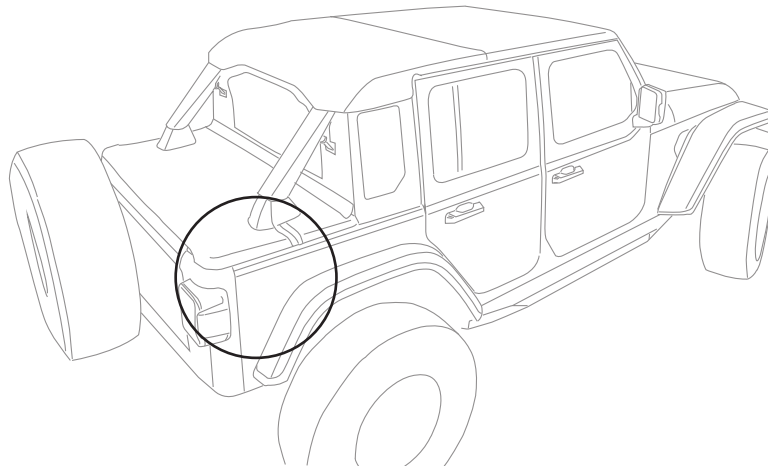
Duster attached to Tailgate Bar





Tuck the plastic tabs along the left and right edges of the Duster underneath the Jeep belt rail, working from back to front. Make sure to tuck the straight tabs as well as the semi-circular tabs under the belt rail.

Tuck all side plastic tabs under the belt rail, from back to front, and then tuck the plastic tabs at the rear corners under the belt rail.



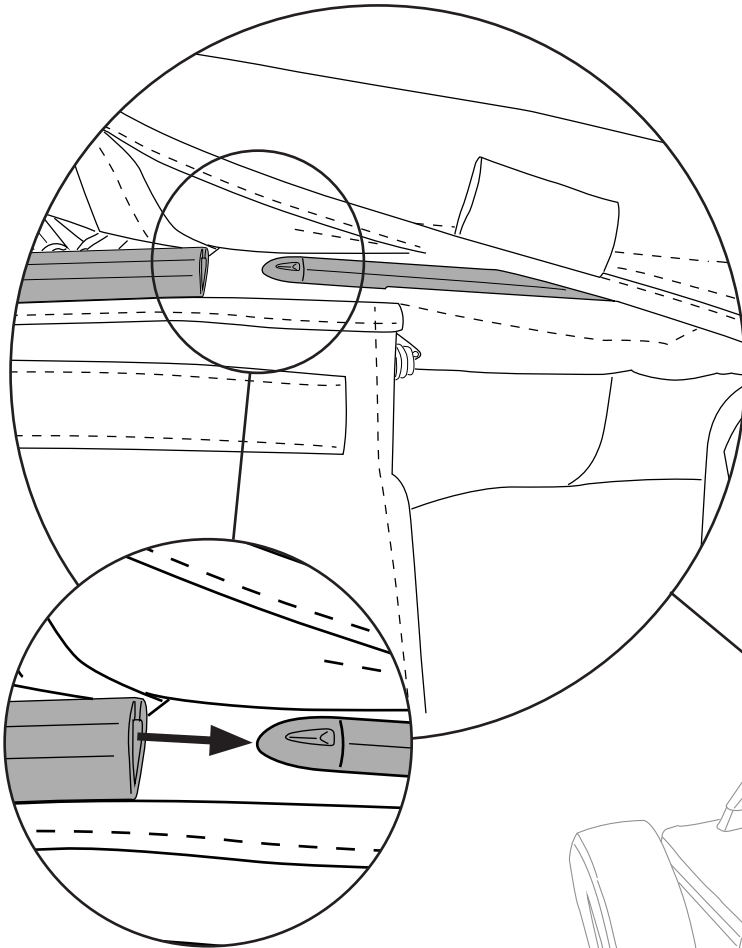
- 1 Wrap the hook-&-loop sleeves around the sport bar downtubes, and attach hook-&-loop strips together snugly.
- 2 Press the Hook and Loop together along the side of the Duster cover

Repeat on left side of vehicle.



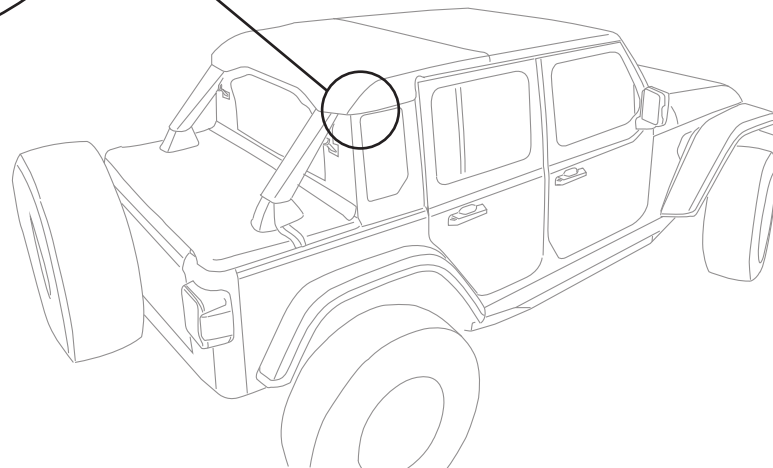
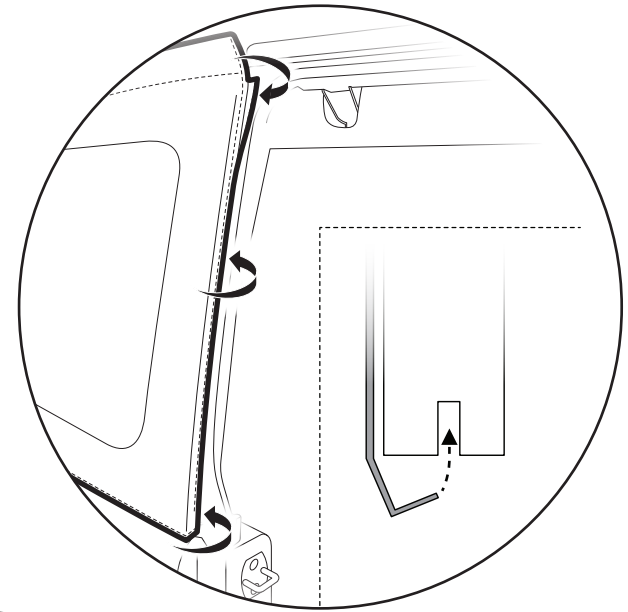
1

Slide the "C" Channel Retainer located along the top of the Side Panel onto the plastic retainer located on the top.



2

Locate the sewn-in plastic strip along the front edge of the Side Panel. Tuck this plastic strip into the vertical channel along the outside face of the Right Rear Door Rail.

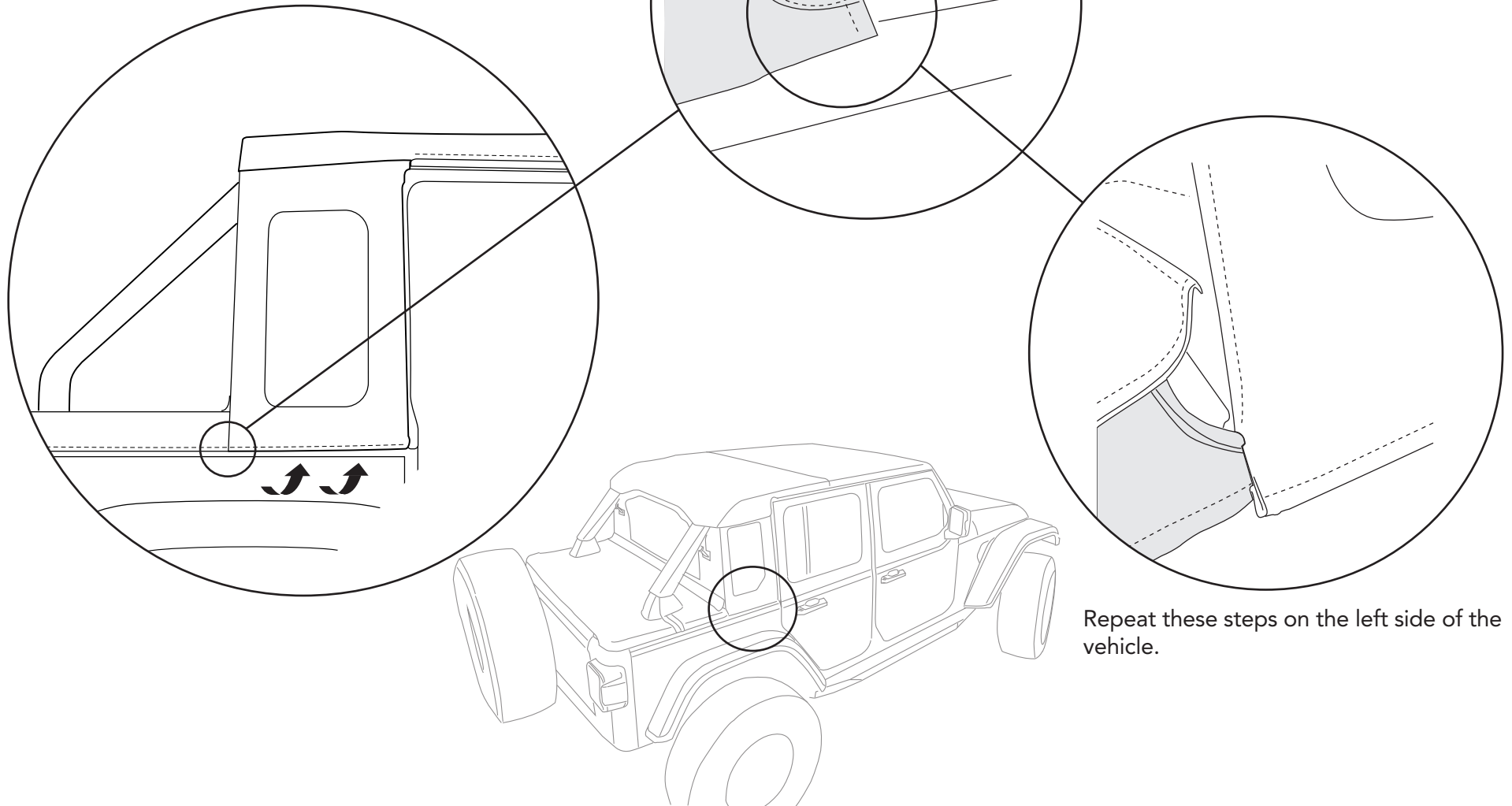


Repeat on left side of vehicle.

3

Tuck the plastic strip along the bottom edge of the Right Side Panel under the Jeep belt rail, by rolling it up underneath the belt rail, beginning at the rear, and working your way forward.

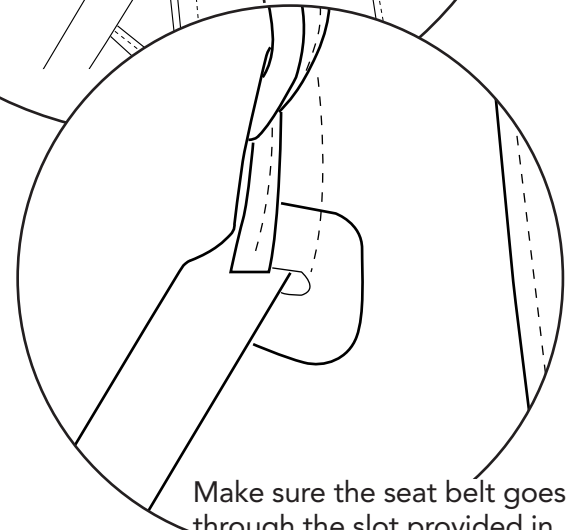
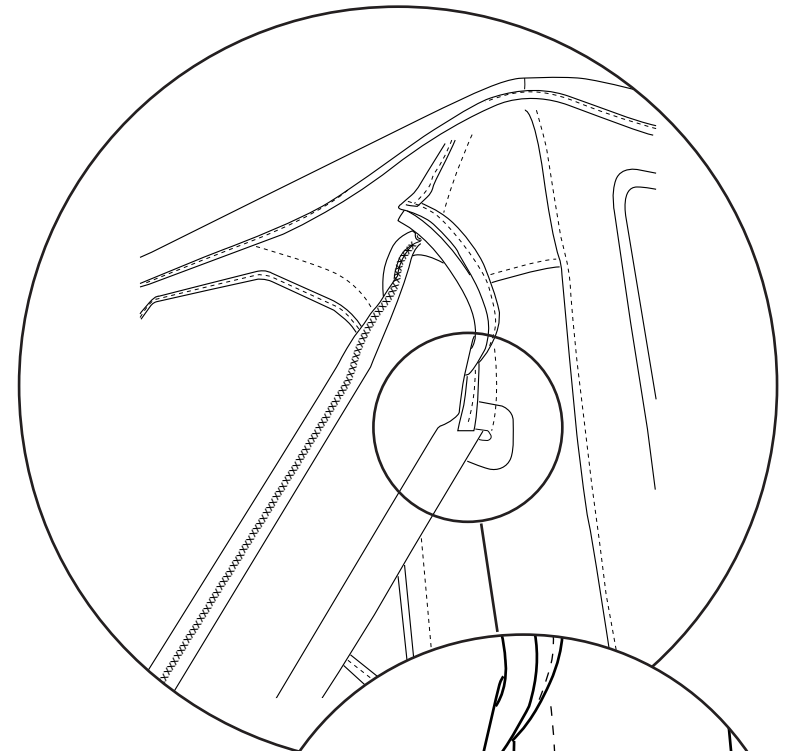
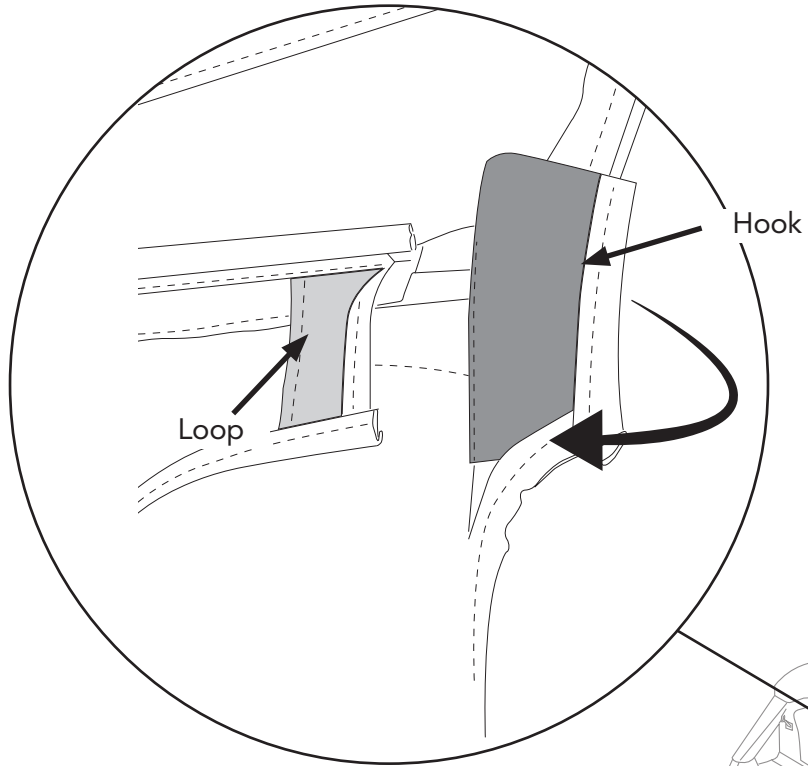
**NOTE:** Make sure you tuck the tab on the front edge of the Duster under the bottom edge of the Side Panel.



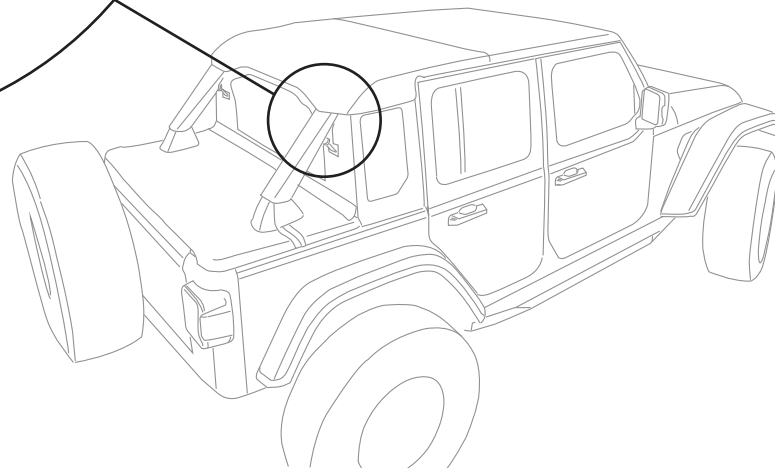
Repeat these steps on the left side of the vehicle.

1

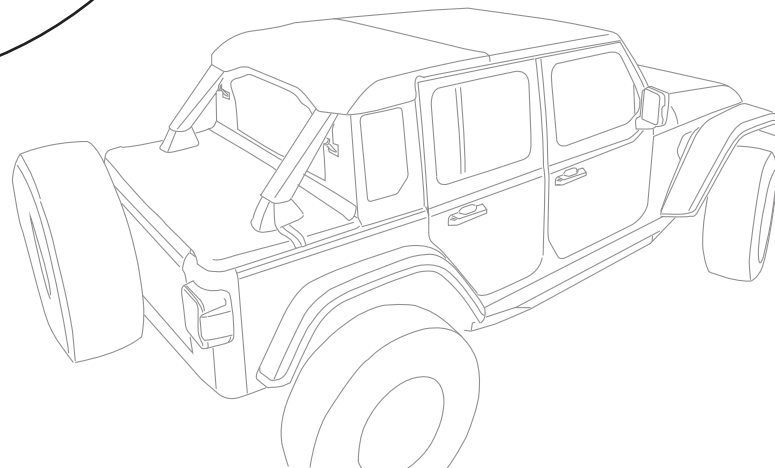
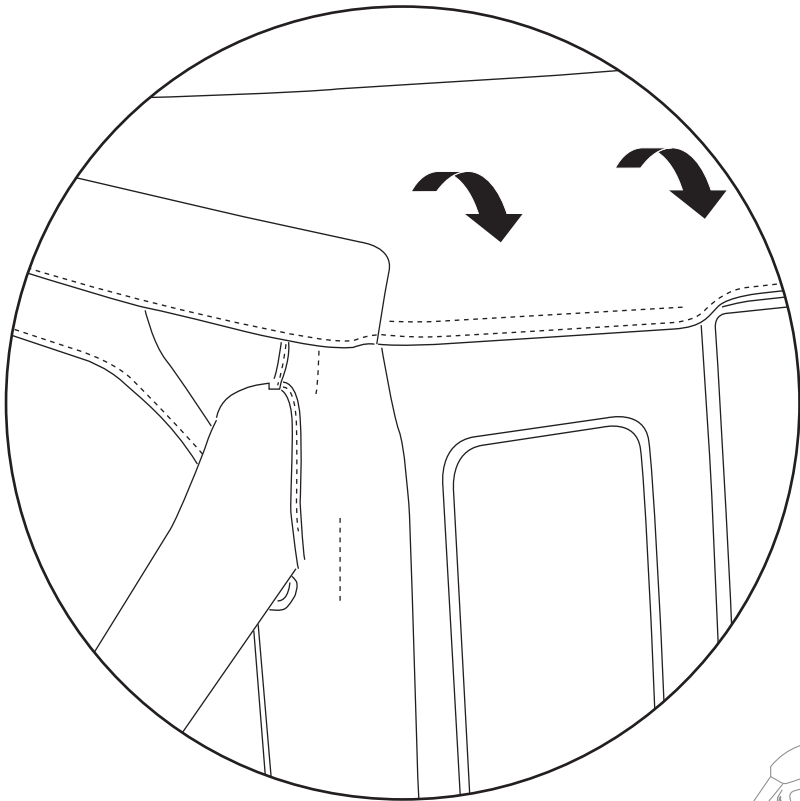
Secure the Hook and Loop flaps along the top of the Windjammer that go over and under the sport bar.



Make sure the seat belt goes through the slot provided in the Windjammer.



Secure the Hook and Loop along the side edge of the Top to the top edge of the Windjammer.





## Care and Maintenance of your Bestop Product

Your Bestop product is made of the finest materials available. To keep it looking new and for the maximum possible wear, it will need periodic cleaning and maintenance.

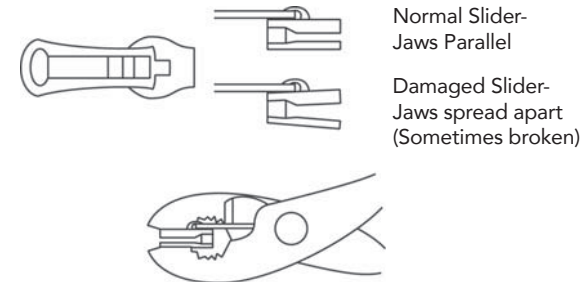
**Fabric:** The fabric should be washed often using soap, warm water and a soft bristle brush. Rinse with clear water to remove all traces of soap. Bestop recommends using Bestop Cleaner (part no. 11201-00) and Bestop Protectant (part no. 11202-00) for Vinyl fabric and Bestop Twill Protectant (part no. 11207-00) for Twill fabric. Bestop Cleaner and Bestop protectant are specially formulated to provide a total cleaning and protection system. Bestop Cleaner safely removes the toughest stains, will not harm vehicle finishes, is biodegradable and environmentally friendly. Bestop Protectant protects against UV-fading, cracking and hardening, and repels dust, grease, dirt and mildew.

**Windows:** Keep windows clean to avoid scratching. DO NOT use a brush on the windows! Wash with a water-soaked cloth or sponge and a mild dishwashing detergent. Bestop recommends Bestop Vinyl Window Cleaner (part no. 11203-00), which safely cleans and protects vinyl windows and helps prevent UV damage. NEVER WIPE THE WINDOWS WHEN THEY ARE DRY. Be careful when cleaning snow or frost from the vinyl windows since they are easily scratched and may crack at low temperatures. DO NOT roll the sides or rear window in cold weather. The windows become stiff and will crack. Cracks caused by misuse in cold temperatures are not covered under warranty.

**Water:** Seeping through at the seams may be stopped by applying 3-M Scotchgard® on the inside of the seams.

**Snaps:** Keep snaps cleaned and lubricated with silicone to help prevent snaps from sticking to the studs. If a snap does become stuck to a stud, use a screwdriver and GENTLY pry apart to prevent permanent damage to the snap or the top fabric.

**Zippers:** Keeping zippers cleaned and lubricated with Bestop's Zipper Cleaner (part no. 11206-00) will help prevent damage and keep the zippers in smooth working condition. If a zipper opens behind the slider, the slider may have been spread apart. This problem can usually be repaired by using an ordinary pair of pliers to bring the sides back into parallel. Return slider to the end of the zipper in the normal Open position. Squeeze lightly at first and test the zipper. If the zipper continues to remain open squeeze more firmly with the pliers and try the zipper again. Repeat this procedure until the zipper operates correctly.



**For Bestop Warranty Information, Please go to;**  
<https://www.bestop.com/help/warranty-information/>

