

YEARS: 2013-PRESENT

MAKE: LEXUS

MODEL: GS350

STYLE: SEDAN

WARNING: NEVER EXCEED YOUR VEHICLE MANUFACTURER'S RECOMMENDED TOWING CAPACITY

WEIGHT CARRYING:
 TRAILER WEIGHT: 2000 LBS.
 TONGUE WEIGHT: 200 LBS.

WARNING:
 WE RECOMMEND THE USE OF 18050 STABILIZING STRAPS FOR ALL NON-TRAILER (WHEEL-LESS) LOADS. PLEASE SEE THE CURT CATALOG OR VISIT US ONLINE AT WWW.CURTMFG.COM FOR FURTHER INFORMATION.

PRO INSTALL TIME: 90 MIN.
NOVICE INSTALL TIME: 180 MIN.

IF YOU ARE HESITANT TO UNDERTAKE THIS TASK ON YOUR OWN, CONTACT AN AUTHORIZED CURT INSTALLER FOR ADDITIONAL ASSISTANCE.

INSTALLATION TIPS:

- BEFORE YOU BEGIN INSTALLATION, READ ALL INSTRUCTIONS THOROUGHLY.
- TO EASE INSTALLATION, 2 PEOPLE MAY BE REQUIRED.
- USING PROPER TOOLS WILL GREATLY IMPROVE THE QUALITY OF THE INSTALL AND REDUCE THE TIME REQUIRED.
- NEED HELP OR HAVE SOME QUESTIONS? CALL TECHNICAL SUPPORT AT 800.798.0813

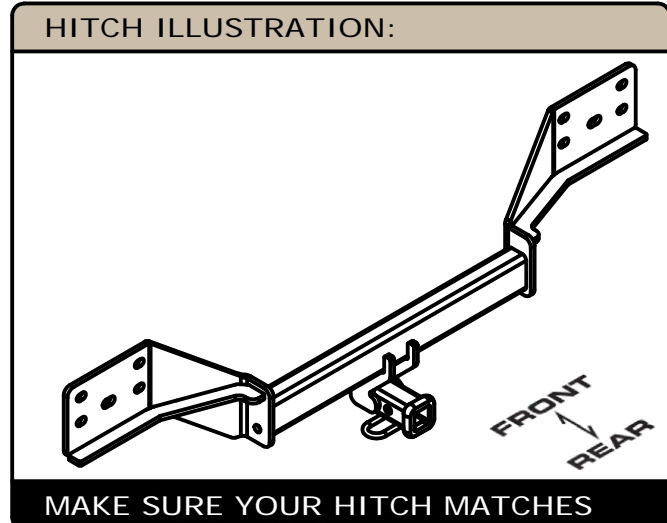


INSTALLATION REQUIRES:

	10mm 12mm	
FLAT & PHILLIPS SCREW DRIVERS	SOCKET	RATCHET
TORQUE WRENCH	ROTARY TOOL	MARKER
6" SOCKET EXTENSION	SAFETY GLASSES	

LEVEL OF DIFFICULTY: CHALLENGING

EASY	MODERATE	CHALLENGING
	TRIM UNDERBODY PANEL	
	REMOVE BUMPER	
	NO DRILLING REQUIRED	

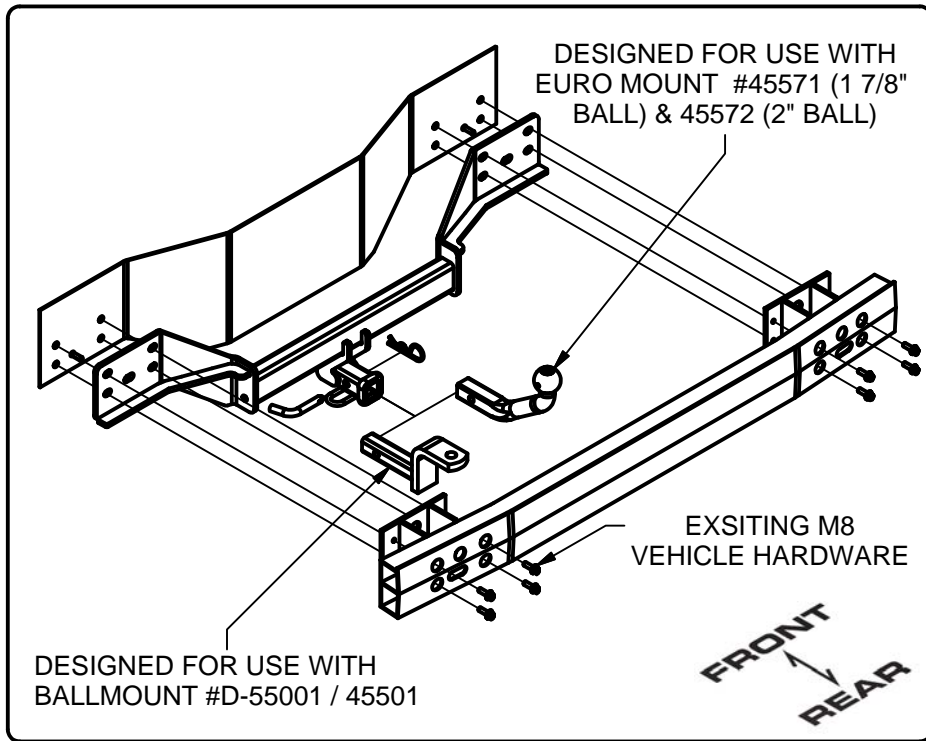


PERIODICALLY CHECK THIS RECEIVER HITCH TO ENSURE ALL FASTENERS ARE TIGHT AND ALL STRUCTURAL COMPONENTS ARE SOUND

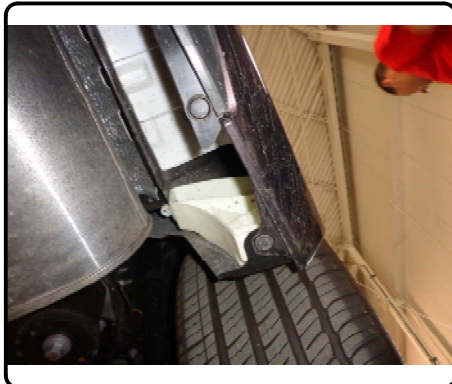
CURT Manufacturing LLC. warrants this product to be free of defects in material and/or workmanship at the time of retail purchase by the original purchaser. If the product is found to be defective, Curt Manufacturing LLC. may repair or replace the product at their option, when the product is returned, prepaid, with proof of purchase. Alteration to, misuse of, or improper installation of this product voids the warranty. Curt Manufacturing LLC.'s liability is limited to repair or replacement of products found to be defective, and specifically excludes liability for incidental or consequential loss or damage.

For more information log onto www.curtmfg.com, & for helpful towing tips log onto www.hitchinfo.com

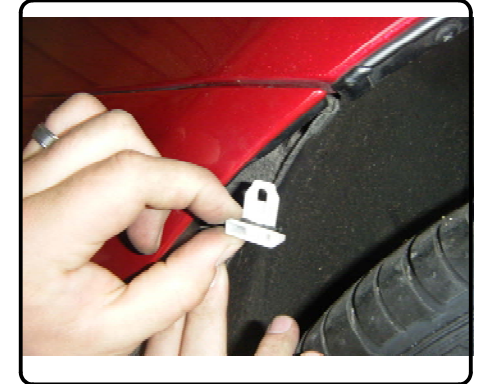
INSTALLATION WALKTHROUGH:



1. Begin bumper cover removal process by removing (1) screw, (1) push fastener from behind rear tire, and (1) push fastener from the wheel well.

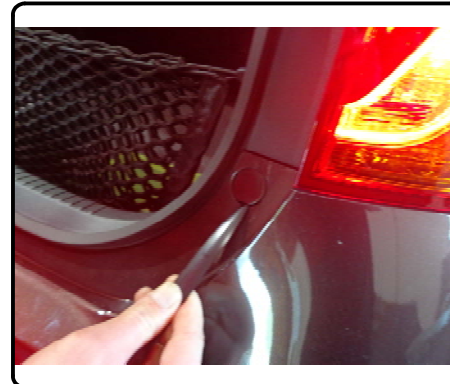


2. Remove (1) screw hidden behind the wheel well at the top of the fascia. Remove the plastic clip by prying it out with a flat head screw driver.



3. Remove small plastic panel between tail light and trunk opening. Remove exposed screw.

Repeat STEPS 1-3 on the other side of the vehicle.



INSTALLATION WALKTHROUGH:

4. Remove (8) push fasteners from around the rear of the fascia, with a flat head screw driver.



6. Remove foam and set aside for reinstall later.



5. Carefully remove bumper cover. Pop sides off first and then pull straight back.

NOTE: Disconnect electrical connector under driver side tail light.

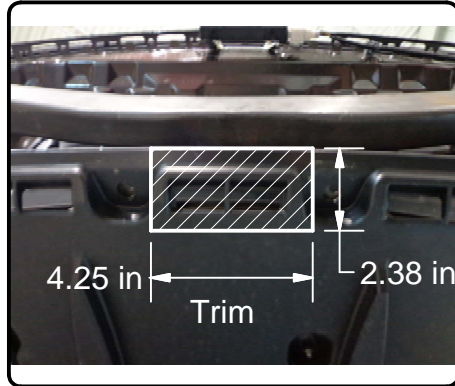
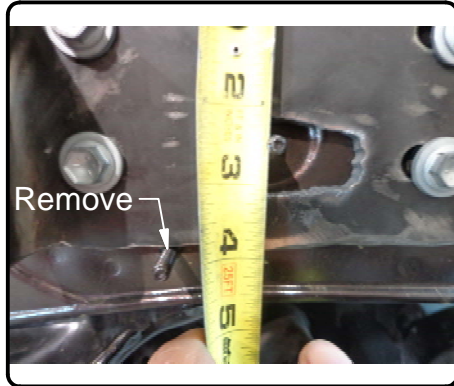


7. Remove bumper beam by removing (8) M8 bolts.



INSTALLATION WALKTHROUGH:

8. With a rotary tool remove alignment stud (each side as shown) and trim the center of the underbody panel (as shown).



9. Raise hitch and bumper beam into position and secure to the vehicle with the M8 bolts removed in STEP 7. Torque all M8 hardware to 23 ft-lbs.



10. Reinstall bumper cover by reassembling components removed in STEPS 1-6 in reverse order.



11. Install is now complete.



11366

LEXUS GS 350

6/7/2013

GROSS LOAD CAPACITY WHEN USED AS A WEIGHT CARRYING HITCH: 2000 LBS. TRAILER WEIGHT & 200 LBS. TONGUE WEIGHT.

DO NOT EXCEED VEHICLE MANUFACTURER'S RECOMMENDED TOWING CAPACITY.

WARNING: ALL NON-TRAILER LOADS APPLIED TO THIS PRODUCT MUST BE SUPPORTED BY 18050 STABILIZING STRAPS.

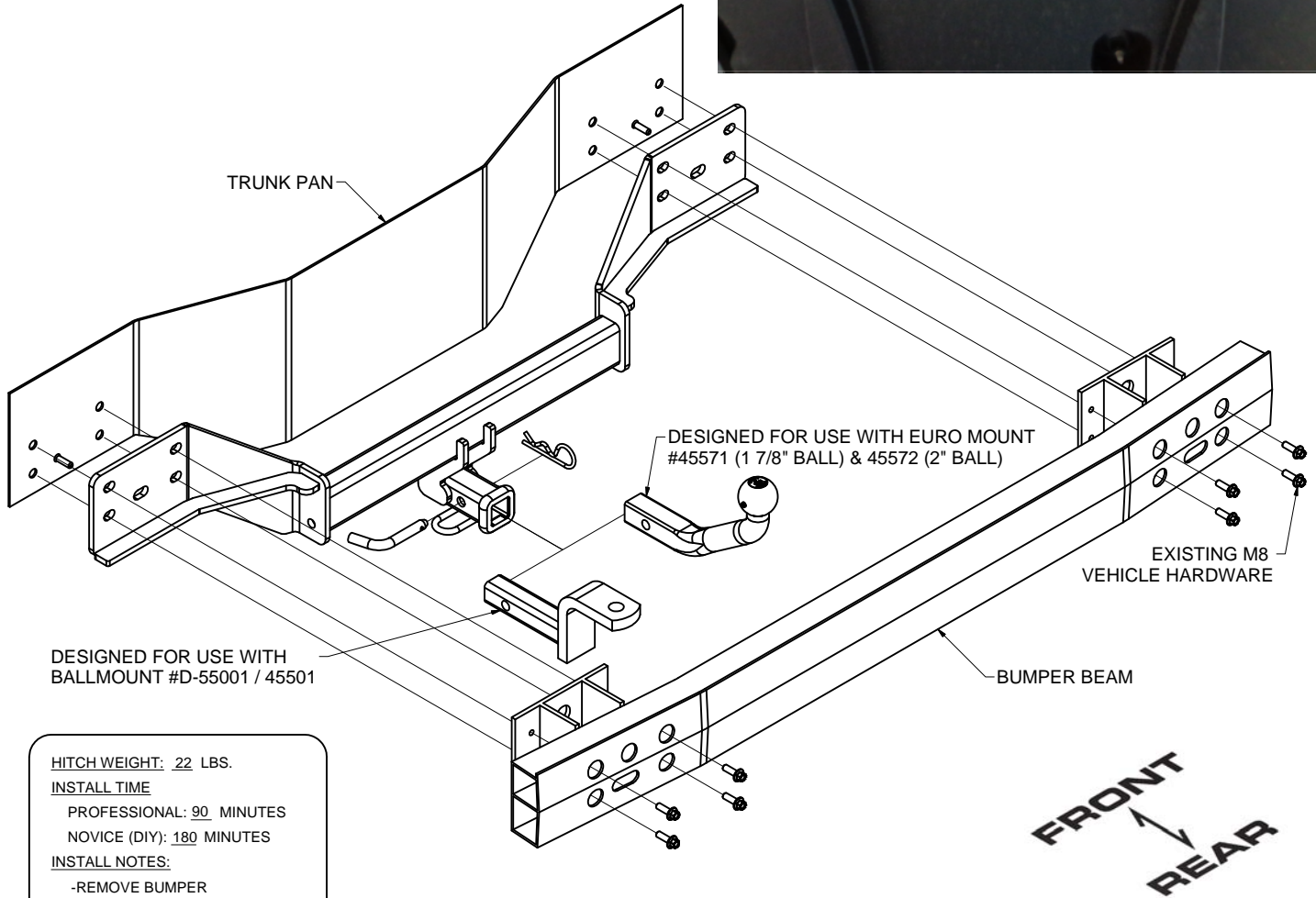
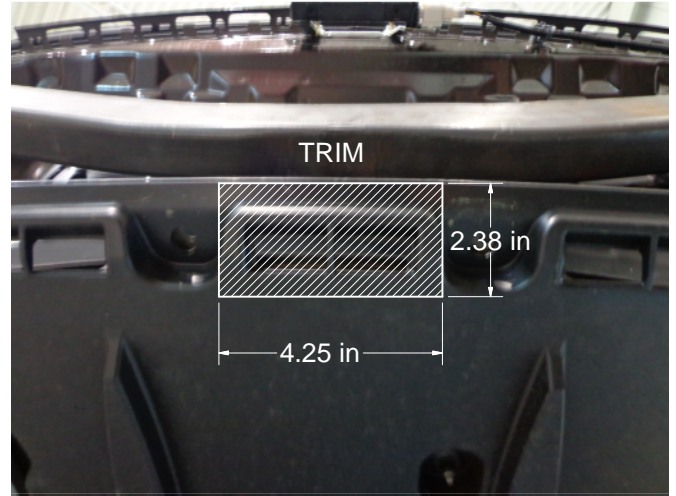
** FAILURE TO PROPERLY SUPPORT NON-TRAILER LOADS WILL VOID PRODUCT WARRANTY**

HAVING INSTALLATION QUESTIONS? CALL TECHNICAL SUPPORT AT 1-800-798-0813

TOOLS REQUIRED

FLAT & PHILLIPS SCREW DRIVER
10mm & 12 mm SOCKETS
RATCHET & 6" EXTENSION
TORQUE WRENCH
ROTARY TOOL
MARKER

TRIM DIAGRAM



DESIGNED FOR USE WITH BALLMOUNT #D-55001 / 45501

HITCH WEIGHT: 22 LBS.

INSTALL TIME

PROFESSIONAL: 90 MINUTES

NOVICE (DIY): 180 MINUTES

INSTALL NOTES:

- REMOVE BUMPER
- TRIM UNDERBODY PANEL
- NO DRILLING REQUIRED

PERIODICALLY CHECK THIS RECEIVER HITCH TO ENSURE THAT ALL FASTENERS ARE TIGHT AND THAT ALL STRUCTURAL COMPONENTS ARE SOUND.

Curt Manufacturing LLC., warrants this product to be free of defects in material and/or workmanship at the time of retail purchase by the original purchaser. If the product is found to be defective, Curt Manufacturing LLC., may repair or replace the product, at their option, when the product is returned, prepaid, with proof of purchase. Alteration to, misuse of, or improper installation of this product voids the warranty. Curt Manufacturing LLC.'s liability is limited to repair or replacement of products found to be defective, and specifically excludes liability for incidental or consequential loss or damage.

INSTALLATION STEPS

1. Begin bumper cover removal process by removing (1) screw, (1) push fastener from behind rear tire, and (1) push fastener from the wheel well.
2. Remove (1) screw hidden behind the wheel well at the top of the fascia. Remove the plastic clip by prying it out with a flat head screw driver.
3. Remove small plastic panel between tail light and trunk opening. Remove the exposed screw. Repeat STEPS 1 -3 on the other side of the vehicle.
4. Remove (8) push fasteners from the rear of the fascia, with a flat head screw driver.
5. Carefully remove bumper cover. Pop sides off first and then pull straight back.
Note: Disconnect electrical connector under driver side tail light.
6. Remove foam and set aside for reinstall later.
7. Remove bumper beam by removing (8) M8 bolts.
8. With a rotary tool remove the lower alignment stud from bumper beam location.
9. Trim underbody panel and reinstall. See TRIM DIAGRAM.
10. Raise hitch and bumper beam into position and secure to the vehicle with the M8 bolts removed in STEP 7. Torque all M8 hardware to 23 ft-lbs.
11. Reinstall bumper cover by reassembling components removed in STEPS 1-6 in reverse order.

PERIODICALLY CHECK THIS RECEIVER HITCH TO ENSURE THAT ALL FASTENERS
ARE TIGHT AND THAT ALL STRUCTURAL COMPONENTS ARE SOUND.