



Safety glasses should be worn at all times while installing this product.

YEARS: 2014

MAKE: MERCEDES-BENZ

MODEL: SLK250

STYLE: CONVERTIBLE

WARNING: NEVER EXCEED YOUR VEHICLE MANUFACTURER'S RECOMMENDED TOWING CAPACITY

WEIGHT CARRYING:
 TRAILER WEIGHT: 1,000 LBS.
 TONGUE WEIGHT: 100 LBS.

WARNING:
 WE RECOMMEND THE USE OF 18050 STABILIZING STRAPS FOR ALL NON-TRAILER (WHEEL-LESS) LOADS. PLEASE SEE THE CURT CATALOG OR VISIT US ONLINE AT WWW.CURTMFG.COM FOR FURTHER INFORMATION.

PRO INSTALL TIME: 120 MIN.
NOVICE INSTALL TIME: 240 MIN.

IF YOU ARE HESITANT TO UNDERTAKE THIS TASK ON YOUR OWN, CONTACT AN AUTHORIZED CURT INSTALLER FOR ADDITIONAL ASSISTANCE.

INSTALLATION REQUIRES:

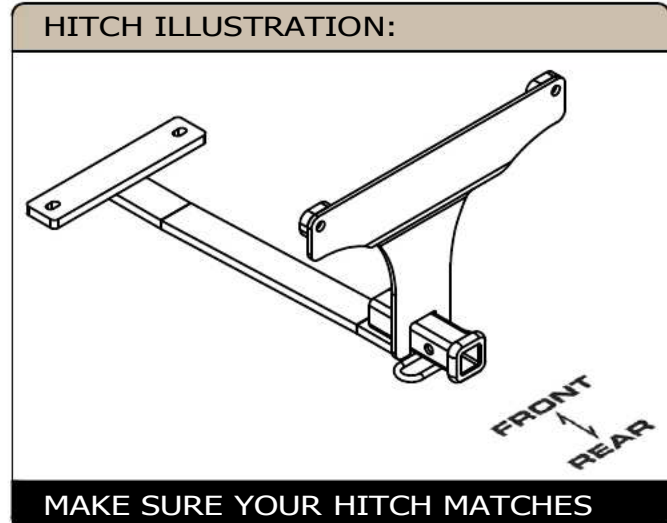
RATCHET	6 in. SOCKET EXTENSION	3/4 in. 10mm 17mm SOCKET
SCREW DRIVER	TORQUE WRENCH	MASKING TAPE
SAFETY GLASSES	DIE GRINDER	TAPE MEASURE
PANEL REMOVAL TOOL	RECIPROCATING SAW	

INSTALLATION TIPS:

- BEFORE YOU BEGIN INSTALLATION, READ ALL INSTRUCTIONS THOROUGHLY.
- TO EASE INSTALLATION, 2 PEOPLE MAY BE REQUIRED.
- USING PROPER TOOLS WILL GREATLY IMPROVE THE QUALITY OF THE INSTALL AND REDUCE THE TIME REQUIRED.
- NEED HELP OR HAVE SOME QUESTIONS? CALL TECHNICAL SUPPORT AT 877.287.8634

LEVEL OF DIFFICULTY: CHALLENGING

EASY	MODERATE	CHALLENGING
	DRILLING / HOLE ENLARGEMENT REQUIRED	
	FISHWIRE HARDWARE	
	CLEAN EXISTING WELDNUTS	
	TEMPORARILY REMOVE TRUNK CONTENTS, INTERIOR PANEL, BUMPER COVER	
	TRIM FOAM BUMPER PAD AND REAR FASCIA	

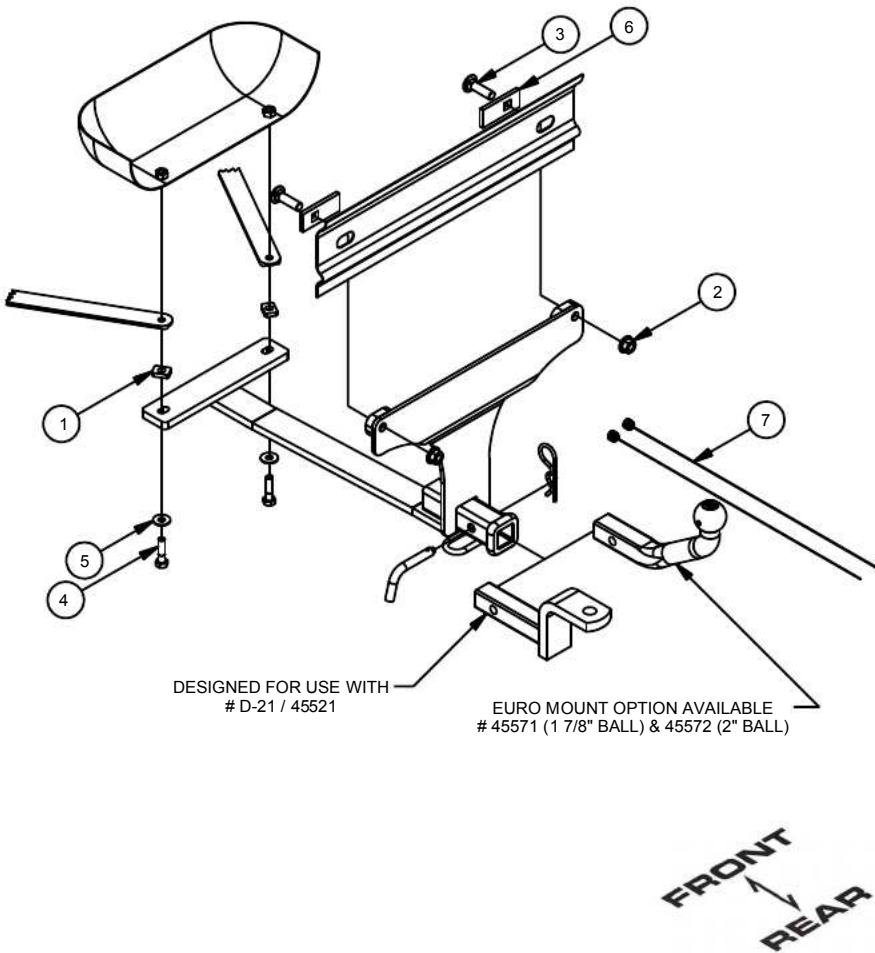


PERIODICALLY CHECK THIS RECEIVER HITCH TO ENSURE ALL FASTENERS ARE TIGHT AND ALL STRUCTURAL COMPONENTS ARE SOUND

CURT Manufacturing LLC. warrants this product to be free of defects in material and/or workmanship at the time of retail purchase by the original purchaser. If the product is found to be defective, Curt Manufacturing LLC. may repair or replace the product at their option, when the product is returned, prepaid, with proof of purchase. Alteration to, misuse of, or improper installation of this product voids the warranty. Curt Manufacturing LLC.'s liability is limited to repair or replacement of products found to be defective, and specifically excludes liability for incidental or consequential loss or damage.

INSTALLATION WALKTHROUGH:

Parts List			
ITEM	QTY	PART NUMBER	DESCRIPTION
1	2	11376-SP	.250" SPACER PLATE
2	2	HFN 1213, GR8	HEX FLANGE NUT
3	2	1/2-13 x 1 3/4, GR8	CARRIAGE BOLT
4	2	M10 - 1.5 x 40mm	HEX BOLT
5	2	3/8"	CONICAL TOOTHED WASHER
6	2	CM-SP19	.250 x 1.25 x 3.00" SQUARE HOLE SPACER
7	2	1_2 FISHWIRE	1/2" FISHWIRE



1. Remove trunk contents including the spare tire cover, spare tire, and spare tire tool kit.



2. Using a flat head screwdriver, remove three (3) plugs from bottom of rear interior panel.

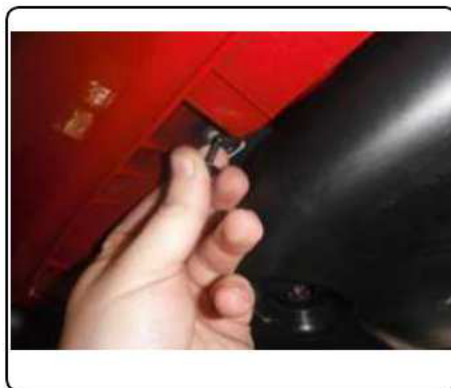


INSTALLATION WALKTHROUGH:

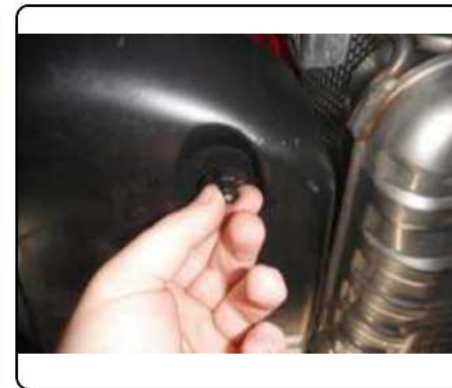
3. Gently remove rear panel.



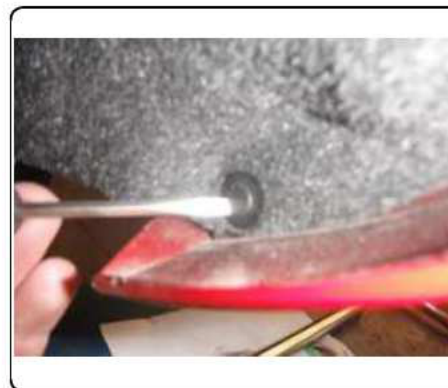
4. Using a 10mm socket, remove two (2) underbody screws connecting rear fascia to underbody panel.



5. Using a 10 mm socket, remove two (2) plastic nuts from underbody panel (1 per side). Do not remove middle nut.



6. Using a flat head screwdriver, remove three (3) plastic clips from each wheel well (6 total) connecting the rear fascia.



INSTALLATION WALKTHROUGH:

7. Gently pull corners of rear fascia loose. Using a panel removal tool, gently detach clips (5 per side) located below tail lights.



8. Using a 10mm socket, remove center nut from inside of trunk.



9. Gently remove rear fascia.

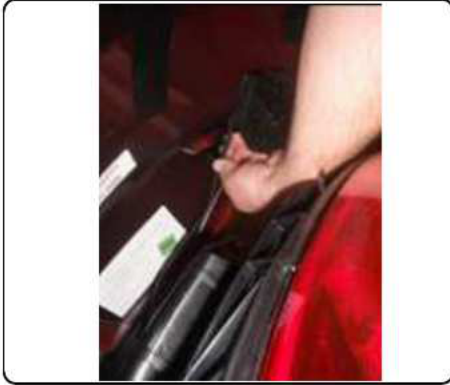


10. Detach foam bumper pad from rear of fascia.



INSTALLATION WALKTHROUGH:

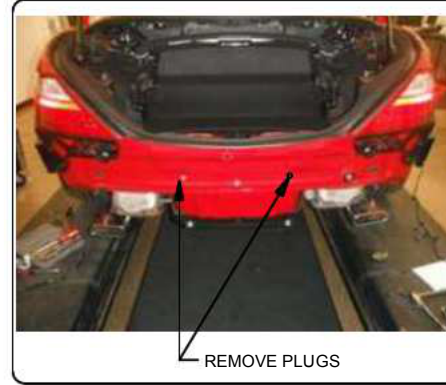
11. Detach electrical connections (4 connectors and 1 clip) from rear fascia.



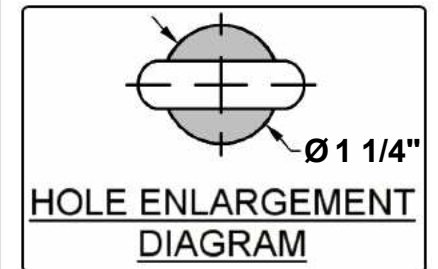
12. Using a T50 Torx bit, remove two (2) M10 screws connecting underbody supports to trunk pan.



13. Remove two (2) plastic plugs from rear body panel.

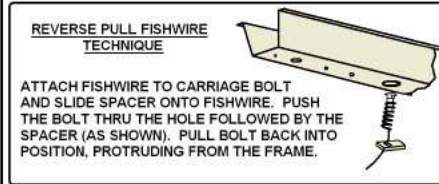


14. Using a die grinder, enlarge two (2) holes where plastic plugs were removed. Enlarge holes as little as possible to allow CM-SP19 and carriage bolts to pass through. (See Hole Enlargement Diagram)



INSTALLATION WALKTHROUGH:

15. Reverse fishwire 1/2" carriage bolts and CM-SP19 spacers into the enlarged holes. Fishwires should remain attached to prevent loss of hardware. (See Reverse Fishwire Diagram)



16. Thread fishwires through hitch mounting holes and raise hitch into position and loosely install 1/2" hex flange nuts onto the carriage bolts.



17. Place CM-11376-SP spacers between forward mounting plate and underbody supports. Loosely install M10 hex bolts and 3/8" conical toothed washers into the existing vehicle weldnuts.

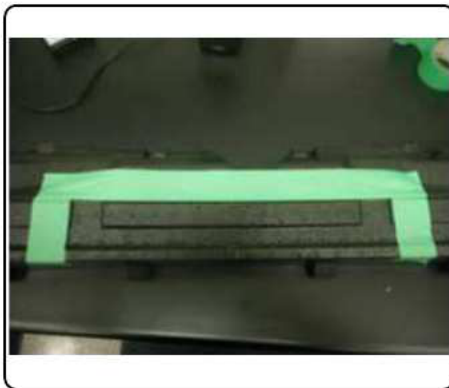
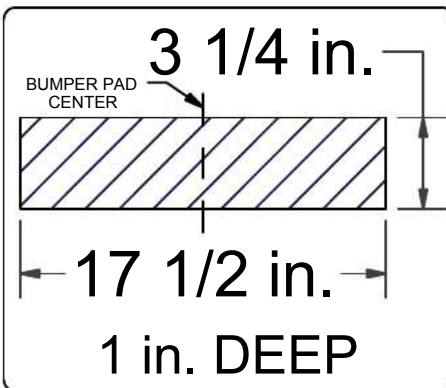


18. Using a 3/4" socket, torque 1/2" hardware to 110 lb-ft. Using a 17mm socket, torque M10-1.50 hardware to 56 lb-ft.

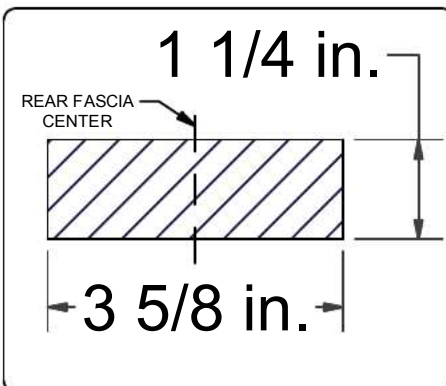


INSTALLATION WALKTHROUGH:

19. Mark with masking tape and trim with reciprocating saw the foam bumper pad. (See Foam Bumper Pad Trim Diagram)



20. Mark with masking tape and trim with die grinder the rear fascia. (See Rear Fascia Trim Diagram)



21. Reassemble rear fascia with foam bumper pad and reattach electrical connections.



22. Reattach rear fascia in reverse order of removal.



INSTALLATION WALKTHROUGH:

24. Reattach interior panel in reverse order of removal.



25. Reinstall spare tire kit, spare tire and spare tire cover.



26. Install complete.



11376

MERCEDES-BENZ SLK250

10/4/13

PAGE 1 of 3

GROSS LOAD CAPACITY WHEN USED AS A WEIGHT CARRYING HITCH: 1,000 LBS. TRAILER WEIGHT & 100 LBS. TONGUE WEIGHT.

DO NOT EXCEED VEHICLE MANUFACTURER'S RECOMMENDED TOWING CAPACITY.

WARNING: ALL NON-TRAILER LOADS APPLIED TO THIS PRODUCT MUST BE SUPPORTED BY 18050 STABILIZING STRAPS.

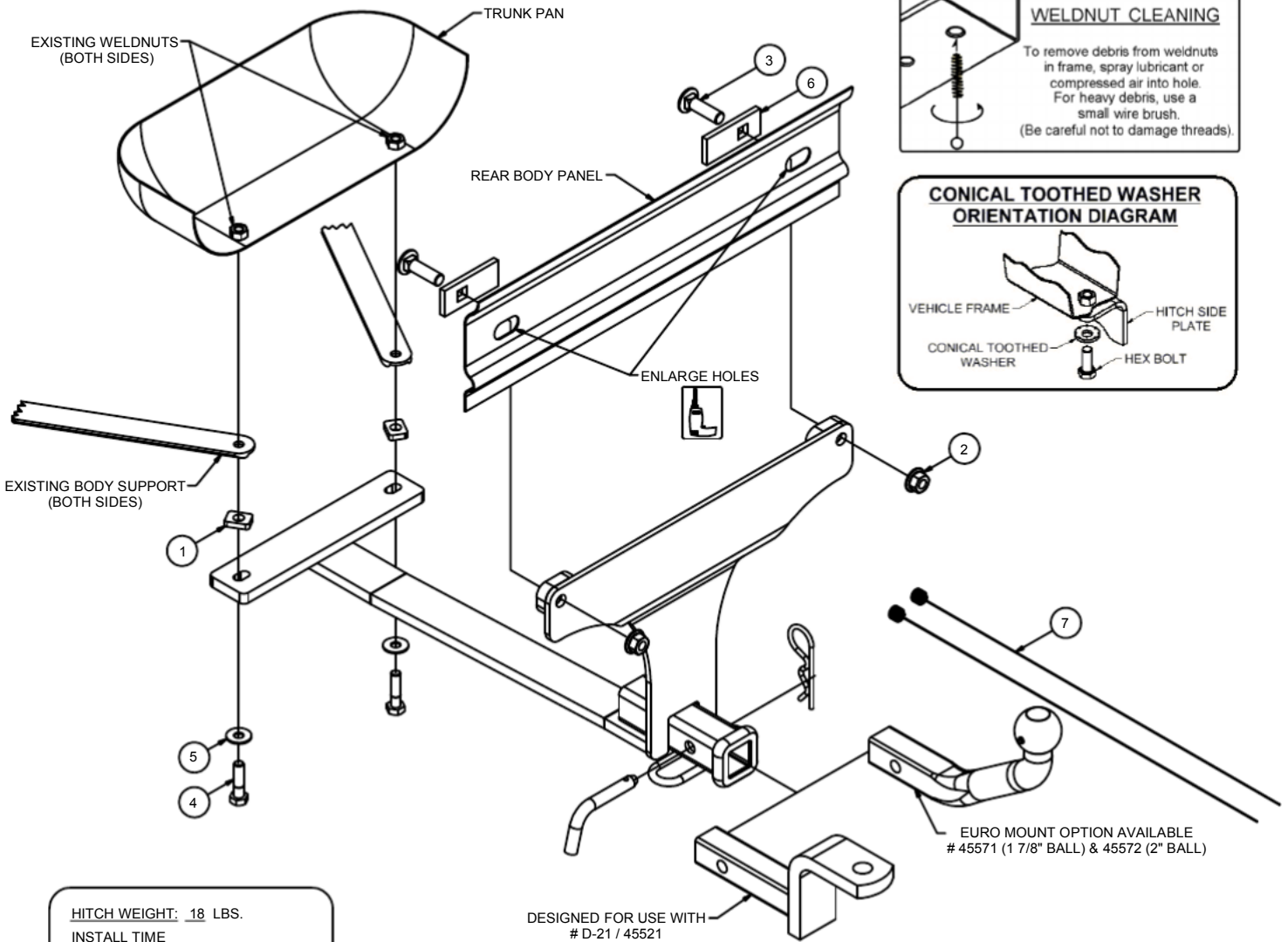
** FAILURE TO PROPERLY SUPPORT NON-TRAILER LOADS WILL VOID PRODUCT WARRANTY**

HAVING INSTALLATION QUESTIONS? CALL TECHNICAL SUPPORT AT 1-877-287-8634

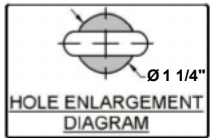
REVERSE PULL FISHWIRE TECHNIQUE

ATTACH FISHWIRE TO CARRIAGE BOLT AND SLIDE SPACER ONTO FISHWIRE. PUSH THE BOLT THRU THE HOLE FOLLOWED BY THE SPACER (AS SHOWN). PULL BOLT BACK INTO POSITION, PROTRUDING FROM THE FRAME.

Parts List			
ITEM	QTY	PART NUMBER	DESCRIPTION
1	2	11376-SP	.250" SPACER PLATE
2	2	HFN 1213, GR8	HEX FLANGE NUT
3	2	1/2-13 x 1 3/4, GR8	CARRIAGE BOLT
4	2	M10 - 1.5 x 40mm	HEX BOLT
5	2	3/8"	CONICAL TOOTHED WASHER
6	2	CM-SP19	.250 x 1.25 x 3.00" SQUARE HOLE SPACER
7	2	1_2 FISHWIRE	1/2" FISHWIRE



HITCH WEIGHT: .18 LBS.
INSTALL TIME
 PROFESSIONAL: 120 MINUTES
 NOVICE (DIY): 240 MINUTES
INSTALL NOTES:
 - DRILLING REQUIRED
 - TRIM FASCIA
 - TRIM FOAM INSERT
 - TEMP. REMOVE TRUNK CONTENTS
 - TEMP. REMOVE FASCIA
 - FISHWIRE HARDWARE

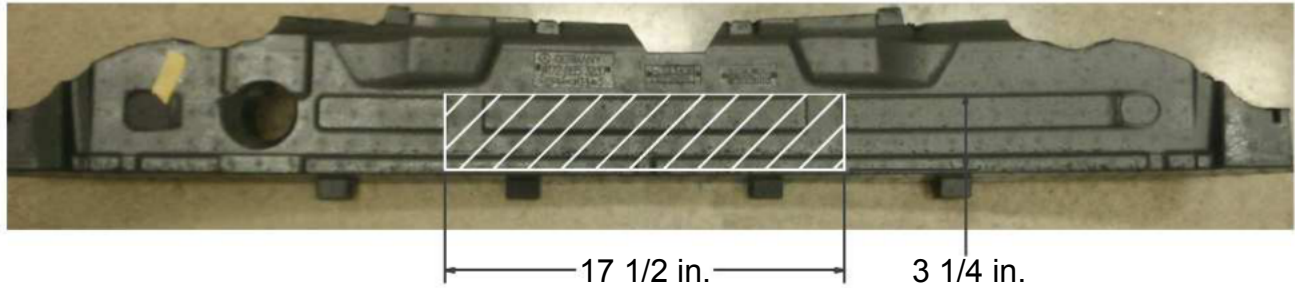


PERIODICALLY CHECK THIS RECEIVER HITCH TO ENSURE THAT ALL FASTENERS ARE TIGHT AND THAT ALL STRUCTURAL COMPONENTS ARE SOUND.

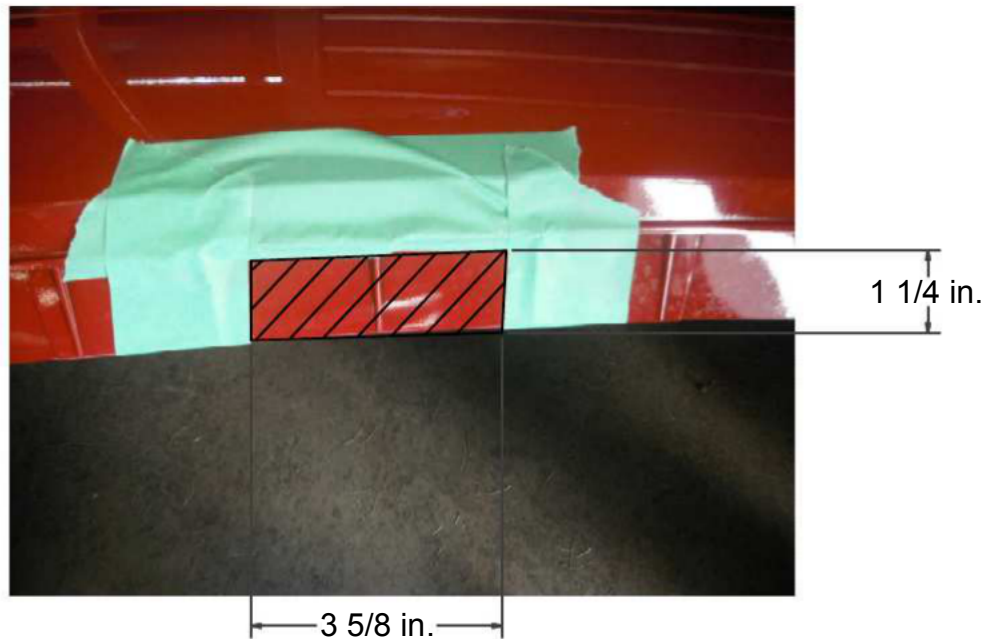
Curt Manufacturing LLC., warrants this product to be free of defects in material and/or workmanship at the time of retail purchase by the original purchaser. If the product is found to be defective, Curt Manufacturing LLC., may repair or replace the product, at their option, when the product is returned, prepaid, with proof of purchase. Alteration to, misuse of, or improper installation of this product voids the warranty. Curt Manufacturing LLC.'s liability is limited to repair or replacement of products found to be defective, and specifically excludes liability for incidental or consequential loss or damage.

HAVING INSTALLATION QUESTIONS? CALL TECHNICAL SUPPORT AT 1-877-287-8634

TOOLS REQUIRED
RATCHET
6" SOCKET EXTENSION
3/4" SOCKET
10mm SOCKET
17mm SOCKET
FLAT HEAD SCRWDRIVER
TORQUE WRENCH
MASKING TAPE
SAFETY GLASSES
PANEL REMOVAL TOOL
DIE GRINDER
TAPE MEASURE
RECIPROCATING SAW



FOAM BUMPER PAD TRIM DIAGRAM
CUT 1 in. DEEP



REAR FASCIA TRIM DIAGRAM

PERIODICALLY CHECK THIS RECEIVER HITCH TO ENSURE THAT ALL FASTENERS ARE TIGHT AND THAT ALL STRUCTURAL COMPONENTS ARE SOUND.

Curt Manufacturing LLC., warrants this product to be free of defects in material and/or workmanship at the time of retail purchase by the original purchaser. If the product is found to be defective, Curt Manufacturing LLC., may repair or replace the product, at their option, when the product is returned, prepaid, with proof of purchase. Alteration to, misuse of, or improper installation of this product voids the warranty. Curt Manufacturing LLC.'s liability is limited to repair or replacement of products found to be defective, and specifically excludes liability for incidental or consequential loss or damage.

INSTALLATION STEPS

1. Remove trunk contents including the spare tire cover, spare tire, and spare tire tool kit.
2. Using a flat head screwdriver, remove three (3) plugs from bottom of rear interior panel.
3. Gently remove rear panel.
4. Using a 10mm socket, remove two (2) underbody screws connecting rear fascia to underbody panel.
5. Using a 10 mm socket, remove two (2) plastic nuts from underbody panel (1 per side). Do not remove middle nut.
6. Using a flat head screwdriver, remove three (3) plastic clips from each wheel well (6 total) connecting the rear fascia.
7. Gently pull corners of rear fascia loose. Using a panel removal tool, gently detach clips (5 per side) located below tail lights.
8. Using a 10mm socket, remove center nut from inside of trunk.
9. Gently remove rear fascia.
10. Detach foam bumper pad from rear of fascia.
11. Detach electrical connections (4 connectors and 1 clip) from rear fascia.
12. Using a T50 Torx bit, remove two (2) M10 screws connecting underbody supports to trunk pan.
13. Remove two (2) plastic plugs from rear body panel.
14. Using a die grinder, enlarge two (2) holes where plastic plugs were removed. Enlarge holes as little as possible to allow CM-SP19 and carriage bolts to pass through.
(See Hole Enlargement Diagram)
15. Reverse fishwire 1/2" carriage bolts and CM-SP19 spacers into the enlarged holes. Fishwires should remain attached to prevent loss of hardware. (See Reverse Fishwire Diagram)
16. Thread fishwires through hitch mounting holes and raise hitch into position and loosely install 1/2" hex flange nuts onto the carriage bolts.
17. Place CM-11376-SP spacers between forward mounting plate and underbody supports.
18. Loosely install M10 hex bolts and 3/8" conical toothed washers into the existing vehicle weldnuts.
19. Using a 3/4" socket, torque 1/2" hardware to 110 lb-ft. Using a 17mm socket, torque M10-1.50 hardware to 56 lb-ft.
20. Mark with masking tape and trim with reciprocating saw the foam bumper pad.
(See Foam Bumper Pad Trim Diagram)
21. Mark with masking tape and trim with die grinder the rear fascia.
(See Rear Fascia Trim Diagram)
22. Reassemble rear fascia with foam bumper pad and reattach electrical connections.
23. Reattach rear fascia in reverse order of removal.
24. Reattach interior panel in reverse order of removal.
25. Reinstall spare tire kit, spare tire and spare tire cover.

PERIODICALLY CHECK THIS RECEIVER HITCH TO ENSURE THAT ALL FASTENERS ARE TIGHT AND THAT ALL STRUCTURAL COMPONENTS ARE SOUND.