

YEARS: 2017-PRESENT

MAKE: MITSUBISHI

MODEL: MIRAGE G4

STYLE: SEDAN

WARNING: NEVER EXCEED YOUR VEHICLE MANUFACTURER'S RECOMMENDED TOWING CAPACITY
 For more information log onto www.curtmfg.com & for helpful towing tips log onto www.hitchinfo.com

WEIGHT CARRYING:
 TRAILER WEIGHT: 1,500 LBS.
 TONGUE WEIGHT: 150 LBS.

WARNING:
 WE RECOMMEND THE USE OF 18050 STABILIZING STRAPS FOR ALL NON-TRAILER (WHEEL-LESS) LOADS. PLEASE SEE THE CURT CATALOG OR VISIT US ONLINE AT WWW.CURTMFG.COM FOR FURTHER INFORMATION.

PRO INSTALL TIME: 30 MIN.
NOVICE INSTALL TIME: 60 MIN.

IF YOU ARE HESITANT TO UNDERTAKE THIS TASK ON YOUR OWN, CONTACT AN AUTHORIZED CURT INSTALLER FOR ADDITIONAL ASSISTANCE.

INSTALLATION REQUIRES:

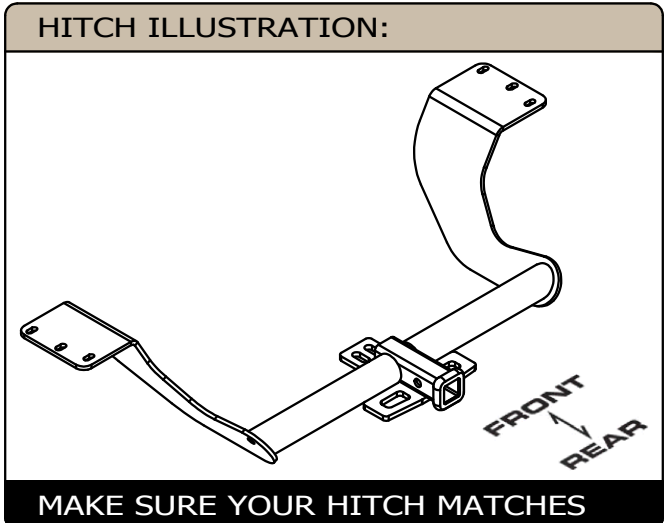
	10mm 12mm 13mm 9/16"	6"
RATCHET	SOCKET	SOCKET EXTENSION
SCREW DRIVER	TORQUE WRENCH	DIE GRINDER
SAFETY GLASSES		

INSTALLATION TIPS:

- BEFORE YOU BEGIN INSTALLATION, READ ALL INSTRUCTIONS THOROUGHLY.
- TO EASE INSTALLATION, 2 PEOPLE MAY BE REQUIRED.
- USING PROPER TOOLS WILL GREATLY IMPROVE THE QUALITY OF THE INSTALL AND REDUCE THE TIME REQUIRED.
- NEED HELP OR HAVE SOME QUESTIONS? CALL TECHNICAL SUPPORT AT 800.798.0813

LEVEL OF DIFFICULTY: EASY

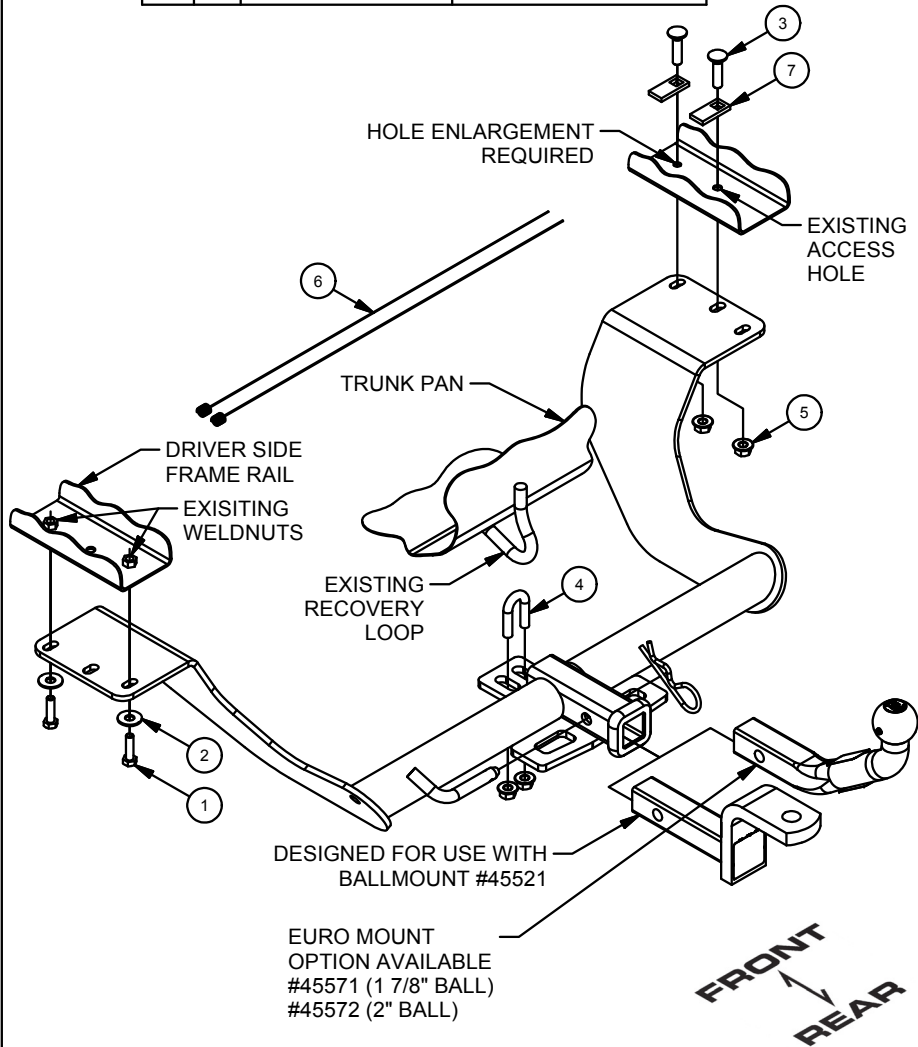
EASY	MODERATE	CHALLENGING
		- FISHWIRE
		- REVERSE FISHWIRE
		- HOLE ENLARGEMENT
		- NO DRILLING
		- UNDERBODY PANEL TRIMMING



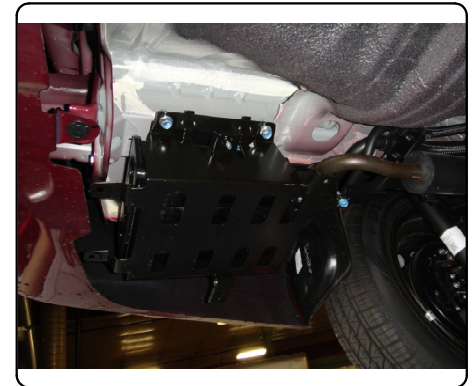
PERIODICALLY CHECK THIS RECEIVER HITCH TO ENSURE ALL FASTENERS ARE TIGHT AND ALL STRUCTURAL COMPONENTS ARE SOUND
 CURT Manufacturing LLC. warrants this product to be free of defects in material and/or workmanship at the time of retail purchase by the original purchaser. If the product is found to be defective, CURT Manufacturing LLC. may repair or replace the product at their option, when the product is returned, prepaid, with proof of purchase. Alteration to, misuse of, or improper installation of this product voids the warranty. CURT Manufacturing LLC.'s liability is limited to repair or replacement of products found to be defective, and specifically excludes liability for incidental or consequential loss or damage.
For more information log onto www.curtmfg.com, & for helpful towing tips log onto www.hitchinfo.com
 This product complies with safety specifications and requirements for connecting devices and towing systems of the state of New York, V.E.S.C.Regulation V-5 and SAE J684.

INSTALLATION WALKTHROUGH:

Parts List			
ITEM	QTY	PART NUMBER	DESCRIPTION
1	2	M8 - 1.25 x 30 HEX BOLT	HEX HEAD BOLT
2	2	3/8"	CONICAL TOOTHED WASHER
3	2	3/8-16 x 1 1/2	CARRIAGE BOLT
4	1	3_8 - 16 x 1.00 x 1.88	U-BOLT
5	4	HFN3816	HEX FLANGE NUT
6	2	3_8 FISHWIRE	3/8" FISHWIRE
7	2	11449-SP	SPACER



1. Remove plastic panel from drivers side of the vehicle by removing (2) M6 screws with a 10mm socket and (2) plastic clips. Lower the now exposed canister by removing (4) M8 screws using a 12mm socket and (1) M6 screw using a 10mm socket. Save for reinstallation in Step 5.

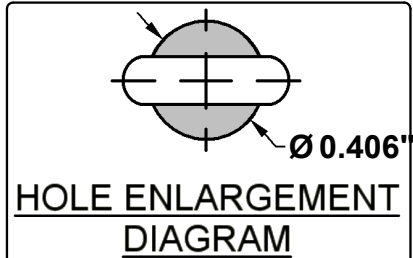


2. Rotate canister downward to provide access to the frame rail. Remove exposed (2) M10 screws using a 12mm socket. Save for reinstallation in Step 3.



INSTALLATION WALKTHROUGH:

3. Enlarge forward most hole passenger side frame rail hole. Fishwire 3/8" carriage bolt and 11449-SP spacer through the large access hole in the passenger side frame rail and out the enlarged hole. Reverse fishwire remaining 3/8" carriage bolt and spacer into the large access hole.



4. Place u-bolt into position in the vehicle recovery loop. Raise the hitch into position in between the last bracket removed in Step 1 and the driver side frame rail. Loosely secure with provided M8 bolts and conical tooth washers on the driver side. Secure remaining fasteners using 3/8" flange nuts.



5. Tighten 3/8" bolts to 37 ft-lbs. Tighten M8 bolts to 23 ft-lbs. Repeat Step 1 in reverse order to reinstall components removed from the vehicle. If desired trim underbody panel as shown below using contours of the part as a guide.



TOWING SAFETY INFORMATION

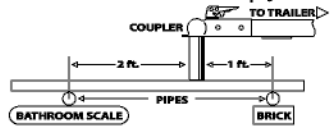
Gross Trailer Weight / GTW

The Gross Trailer Weight is the weight of the trailer & cargo. Measure this by putting the fully loaded trailer on a vehicle scale.



Tongue Weight / TW

The downward force that is exerted on the hitch ball by the coupler. The tongue weight will vary depending on where the load is positioned in relationship to the trailer axle(s). To measure the tongue weight, use either a commercial scale or a bathroom scale with the coupler at towing height. When using a bathroom scale with heavier tongue weights, use the method shown and multiply the scale reading by 3.



Weight Carrying / WC

The total weight of both the trailer and the cargo inside. Never exceed the weight capacity of your trailer hitch.

Weight Distribution / WD

Used to balance the weight of the cargo between the front and rear wheels throughout the trailer, allowing for better steering, braking, and level riding.



Sway Control

A device used to reduce the lateral movements of the trailer that are caused by the wind. This works in conjunction with a weight distribution hitch. Do not use this on a class 1 or 2 hitch, or with surge brakes.

How Much Can You Safely Tow?

TONGUE WEIGHT (lb)	1000	2000	3000	4000	5000	6000	7000	8000	10,000	12,000
Tongue weight should be about 10 to 15 percent of the gross trailer weight.										
CLASS 1										
CLASS 2										
CLASS 3										
CLASS 4										
CLASS 5										
TRAILER TYPE										
Camper	11'	12'	13'	14'	15'	16'				
lbs.	1100	1200	1300	1400	1500	1600				
Vacation	18'	19'	20'	21'	22'	24'	26'	28'	30'	32'
lbs.	2100	2400	2700	3000	3300	3600	3900	4200	4500	4800
Vacation	18'	19'	20'	21'	22'	24'	26'	28'	30'	32'
lbs.	2800	3200	3600	4000	4400	4800	5200	5600	6000	6400
5th Wheel										

Refer to owner's manual for towing capabilities and limitations.

Ball Mount

The ball mount is placed inside the opening of the receiver hitch which is mounted to the vehicle. Make sure a hitch pin and clip is properly securing the ball mount to the receiver hitch before you begin towing.

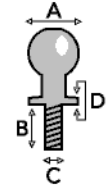
- A: Rise. B: Drop. C: Hole Size. D: Length.



Trailer Ball

The connection from the hitch to the trailer. There are many factors that determine the correct hitch ball:

- Number one is the hitch ball's gross trailer weight rating.
- The mounting platform must be at least 3/8" thick.
- The hole diameter must not be more than 1/16" larger than the threaded shank.
- Every time you tow, check the nut and lock washer to make sure they are fastened securely.
- A: Ball Dia. B: Shank Length. C: Shank Dia. D: Shank Rise.



Coupler

The component that is placed over the trailer ball to connect the vehicle to the trailer. Be sure that the coupler size matches the size of the hitch ball and that the coupler handle is securely fastened. To determine what size hitch ball you need for your application you will need to know the size of coupler that is on the trailer. Be sure your coupler is properly adjusted to the ball you are using.

NOTE: For added security the use of safety devices such as Coupler Safety Pins and Locks is strongly recommended.

Safety Chains

Safety chains are a requirement and should be crossed under the tongue of the trailer so that the tongue will not drop to the road if it becomes separated from the hitch. Always leave enough slack so you can turn. Never allow the safety chains to drag on the ground and never attach the chains to the bumper.

Trailer Classification: Safety Chain Breaking Force - Minimum

Class 1: 2,000 lbs. (8.9 kN)

Class 2: 3,500 lbs. (15.6 kN)

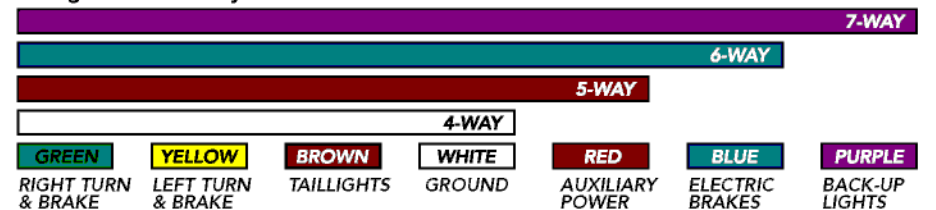
Class 3: 5,000 lbs. (22.2 kN)

The strength rating of each length of safety chain or its equivalent and its attachments shall be equal to or exceed in minimum breaking force the GVWR (Gross Vehicle Weight Rating) of the trailer.

Electrical

Trailer lights, Electric Brakes, Break-away systems - Every time you tow, be sure to check that all components are working properly.

Wiring identification by color:



CURT DISCLAIMER: WIRING COLOR SHOWN WORK IN CONJUNCTION WITH CURT MANUFACTURING PRODUCTS.

11449

MITSUBISHI MIRAGE G4

7/11/2016

GROSS LOAD CAPACITY WHEN USED AS A WEIGHT CARRYING HITCH: 1,500 LBS. TRAILER WEIGHT & 150 LBS. TONGUE WEIGHT.

WARNING: ALL NON-TRAILER LOADS APPLIED TO THIS PRODUCT MUST BE SUPPORTED BY 18050 STABILIZING STRAPS.



WARNING: ** FAILURE TO PROPERLY SUPPORT NON-TRAILER LOADS WILL VOID PRODUCT WARRANTY **

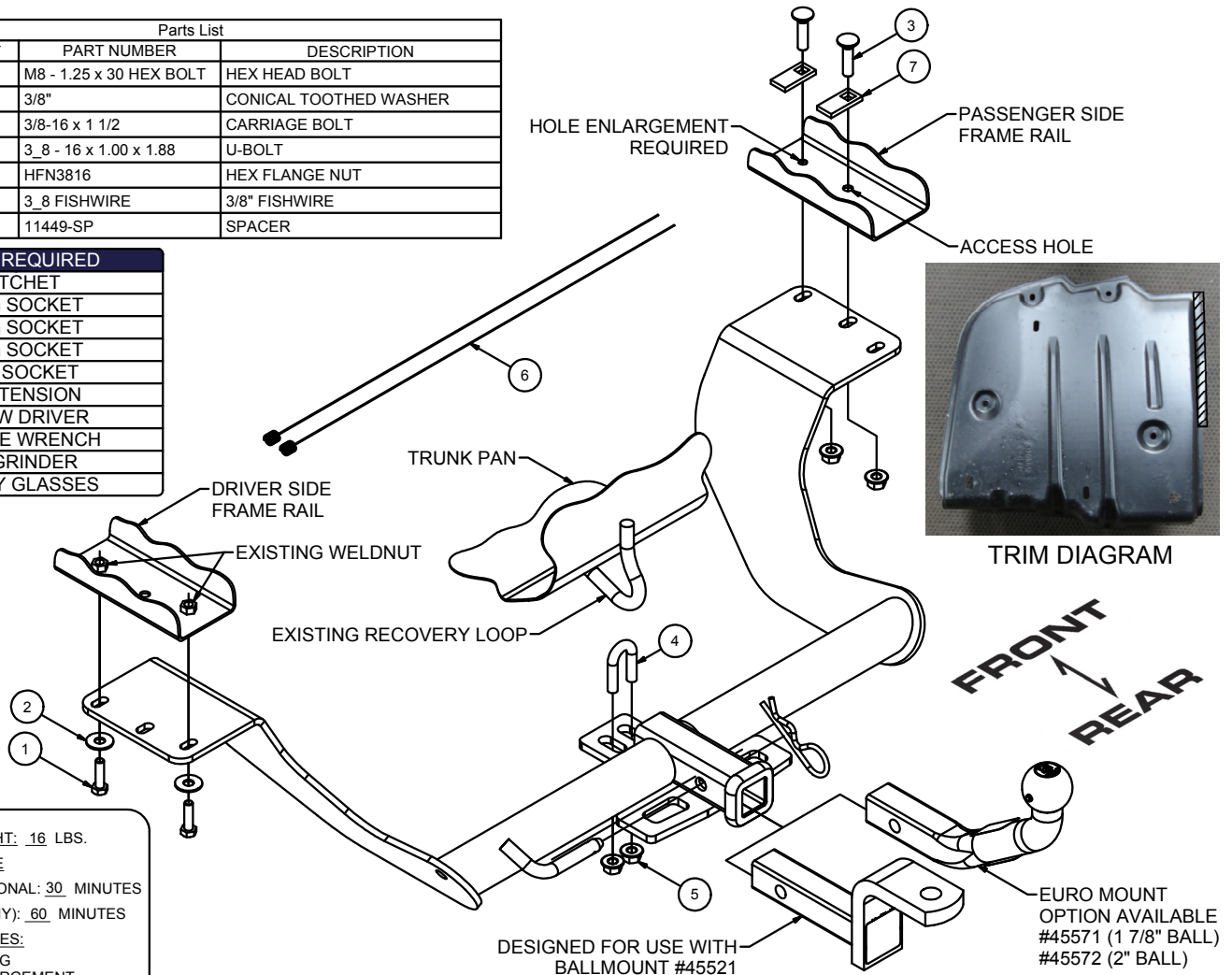
WARNING: * DO NOT EXCEED VEHICLE MANUFACTURER'S RECOMMENDED TOWING CAPACITY *****

FOR MORE INFORMATION LOG ONTO WWW.CURTMFG.COM & FOR HELPFUL TOWING TIPS LOG ONTO WWW.HITCHINFO.COM
HAVING INSTALLATION QUESTIONS? CALL TECHNICAL SUPPORT AT 1-800-798-0813



Parts List			
ITEM	QTY	PART NUMBER	DESCRIPTION
1	2	M8 - 1.25 x 30 HEX BOLT	HEX HEAD BOLT
2	2	3/8"	CONICAL TOOTHED WASHER
3	2	3/8-16 x 1 1/2	CARRIAGE BOLT
4	1	3_8 - 16 x 1.00 x 1.88	U-BOLT
5	4	HFN3816	HEX FLANGE NUT
6	2	3_8 FISHWIRE	3/8" FISHWIRE
7	2	11449-SP	SPACER

TOOLS REQUIRED	
RATCHET	
10mm SOCKET	
12mm SOCKET	
13mm SOCKET	
9/16" SOCKET	
6" EXTENSION	
SCREW DRIVER	
TORQUE WRENCH	
DIE GRINDER	
SAFETY GLASSES	



HITCH WEIGHT: 16 LBS.

INSTALL TIME

PROFESSIONAL: 30 MINUTES

NOVICE (DIY): 60 MINUTES

INSTALL NOTES:

- NO DRILLING
- HOLE ENLARGEMENT
- UNDERBODY PANEL TRIMMING

INSTALLATION STEPS

1. Remove plastic panel from drivers side of the vehicle by removing (2) M6 screws with a 10mm socket and (2) plastic clips. Lower the now exposed canister by removing (4) M8 screws using a 12mm socket and (1) M6 screw using a 10mm socket. Rotate canister downward to provide access to the frame rail. Remove exposed (2) M10 screws using a 12mm socket. Save for reinstallation in Steps 3 and 4.
2. Enlarge forward most passenger side frame rail hole. Fishwire 3/8" carriage bolt and 11449-SP spacer through the large access hole in the passenger side frame rail and out the enlarged hole. Reverse fishwire the remaining 3/8" carriage bolt and spacer into the large access hole.
3. Place u-bolt into position in the vehicle recovery loop. Raise the hitch into position in between the last bracket removed in Step 1 and the driver side frame rail. Loosely secure with provided M8 bolts and conical tooth washers on the driver side. Secure remaining fasteners using 3/8" flange nuts.
4. Tighten 3/8" bolts to 37 ft-lbs. Tighten M8 bolts to 23 ft-lbs. Repeat Step 1 in reverse order to reinstall components removed from the vehicle. If desired trim underbody panel as shown above in trim diagram using contours of the part as a guide.

PERIODICALLY CHECK THIS RECEIVER HITCH TO ENSURE THAT ALL FASTENERS ARE TIGHT AND THAT ALL STRUCTURAL COMPONENTS ARE SOUND.



Scan for more information

CURT Manufacturing LLC., warrants this product to be free of defects in material and/or workmanship at the time of retail purchase by the original purchaser. If the product is found to be defective, CURT Manufacturing LLC., may repair or replace the product, at their option, when the product is returned, prepaid, with proof of purchase. Alteration to, misuse of, or improper installation of this product voids the warranty. CURT Manufacturing LLC.'s liability is limited to repair or replacement of products found to be defective, and specifically excludes liability for incidental or consequential loss or damage.

This product complies with safety specifications and requirements for connecting devices and towing systems of the state of New York, V.E.S.C.Regulation V-5 and SAE J684.