

11727

1993-97 INFINITI J30

3/25/2013

GROSS LOAD CAPACITY WHEN USED AS A WEIGHT CARRYING HITCH: 2,000 LBS. TRAILER WEIGHT & 200 LBS. TONGUE WEIGHT.

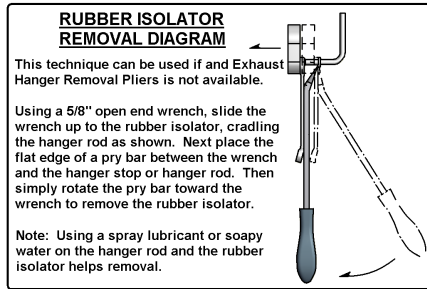
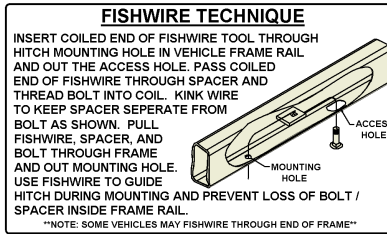
\*\*\*DO NOT EXCEED VEHICLE MANUFACTURER'S RECOMMENDED TOWING CAPACITY.\*\*\*

WARNING: ALL NON-TRAILER LOADS APPLIED TO THIS PRODUCT MUST BE SUPPORTED BY 18050 STABILIZING STRAPS.

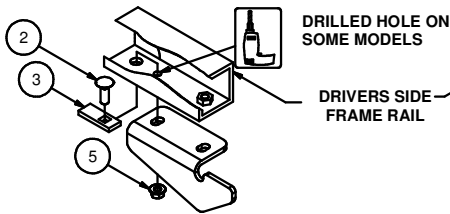
\*\* FAILURE TO PROPERLY SUPPORT NON-TRAILER LOADS WILL VOID PRODUCT WARRANTY\*\*

HAVING INSTALLATION QUESTIONS? CALL TECHNICAL SUPPORT AT 1-800-798-0813

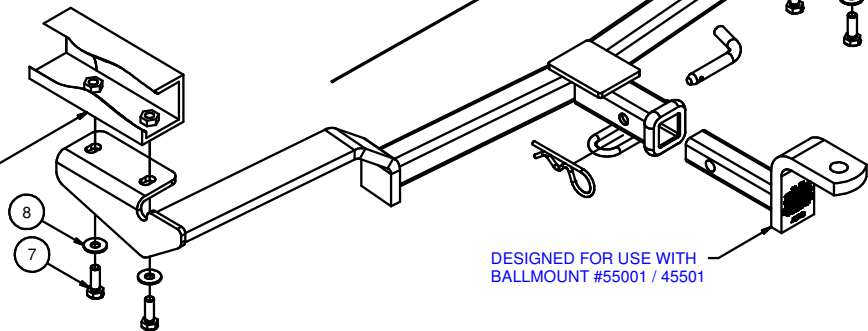
Parts List			
ITEM	QTY	PART NUMBER	DESCRIPTION
1	2	7/16-14	HEX FLANGE NUT
2	1	7/16-14 x 1 1/4	CARRIAGE BOLT
3	1	CM-SP2	.250 x .88 x 2.25" SQUARE HOLE SPACER
4	1	7_16 FISHWIRE	7/16" FISHWIRE
5	1	7/16-14 x 1 1/2	HEX BOLT
6	1	7/16 WASHER	WASHER
7	4	M10 - 1.25 x 30	HEX BOLT
8	4	3/8"	CONICAL TOOTHED WASHER



**HARDWARE FOR DRILLED HOLE**



FRONT  
↑  
REAR



HITCH WEIGHT: 22 LBS.

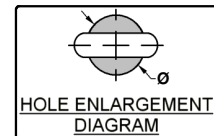
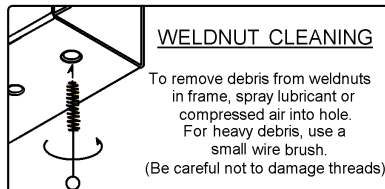
**INSTALL TIME**

PROFESSIONAL: 25 MINUTES  
NOVICE (DIY): 50 MINUTES

**INSTALL NOTES:**

- DRILLING REQUIRED ON SOME MODELS
- LOWER EXHAUST
- ENLARGE HOLE
- FISHWIRE HARDWARE

TOOLS REQUIRED
SOCKET WRENCH
TORQUE WRENCH
17mm, 5/8 in SOCKETS
DRILL
1/2" DRILL BIT
FILE OR DIE GRINDER



**INSTALLATION STEPS**

1. On rear frame rails remove tie down brackets. Lower exhaust for ease of installation. (See RUBBER ISOLATOR REMOVAL DIAGRAM)
2. Front hole on the drivers side needs to be drilled on some models (if existing weldnut is offset). If a drill hole is required use the hitch as a template to mark hole and drill using a 1/2" drill bit. Enlarge access hole to allow the 7/16" carriage bolt and spacer to pass through. (See HOLE ENLARGEMENT DIAGRAM)
3. If hole was drilled, fishwire 7/16" carriage bolt and square hole spacer through the access hole. (See FISHWIRE TECHNIQUE diagram)
4. Position hitch over existing weldnuts in frame. Hitch is to pass over the car's exhaust tips on driver's side.
5. Bolt the hitch to car's frame rails using M10-1.25 hex bolts, as shown above. If drill hole was required, fasten 7/16" carriage bolt (which was fishwired through frame) with 7/16" hex flange nut as shown.
6. Torque all 10mm hardware to 48 lb.-ft and all 7/16" hardware to 70 lb.-ft.
7. Raise exhaust back into position.

**PERIODICALLY CHECK THIS RECEIVER HITCH TO ENSURE THAT ALL FASTENERS ARE TIGHT AND THAT ALL STRUCTURAL COMPONENTS ARE SOUND.**

Curt Manufacturing Inc., warrants this product to be free of defects in material and/or workmanship at the time of retail purchase by the original purchaser. If the product is found to be defective, Curt Manufacturing Inc., may repair or replace the product, at their option, when the product is returned, prepaid, with proof of purchase. Alteration to, misuse of, or improper installation of this product voids the warranty. Curt Manufacturing Inc.'s liability is limited to repair or replacement of products found to be defective, and specifically excludes liability for incidental or consequential loss or damage.