

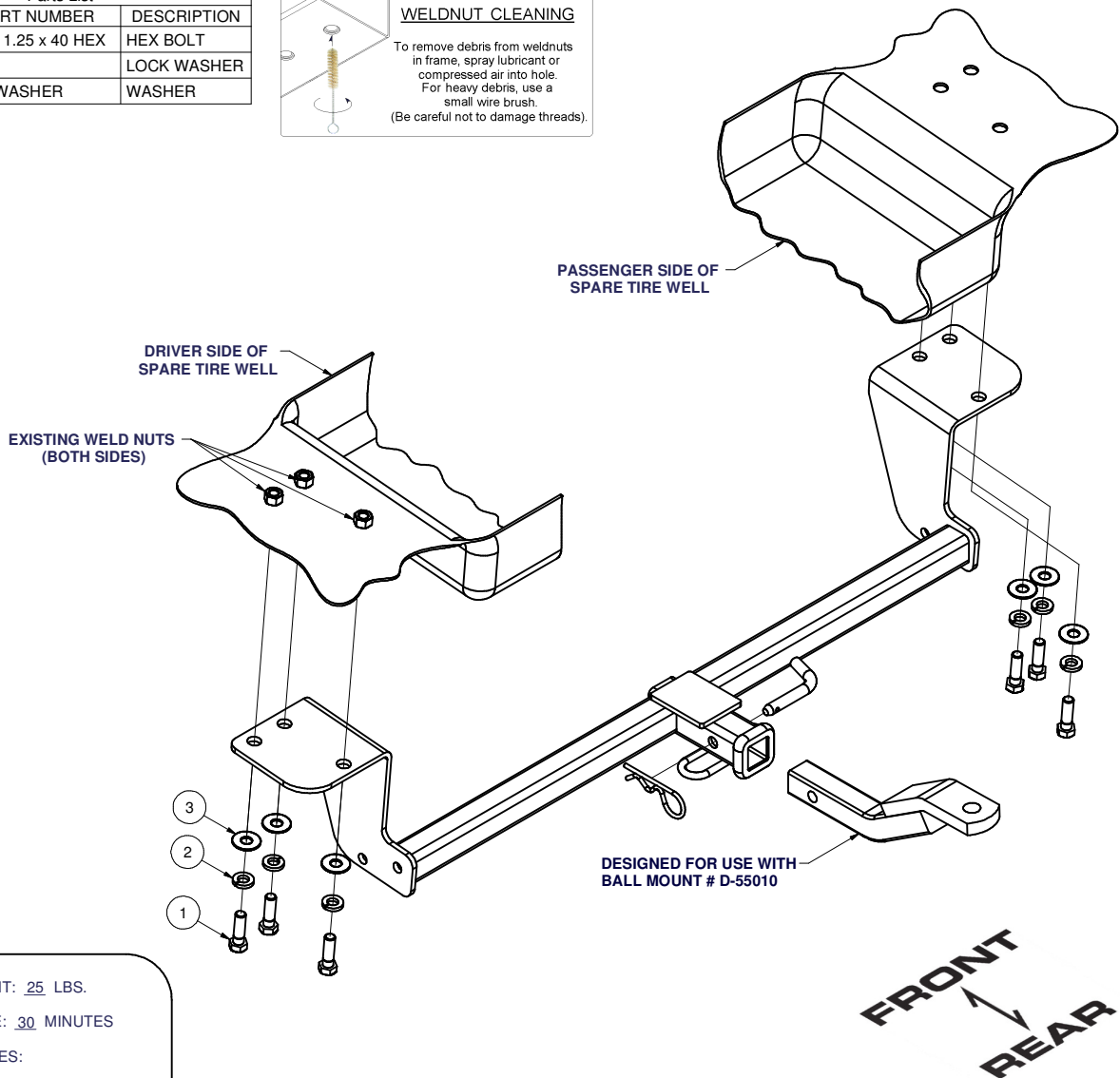
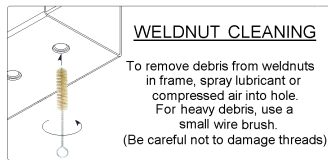
12231 / 257251

01-06 LEXUS LS 430 SEDAN

10/8/2012

GROSS LOAD CAPACITY WHEN USED AS A WEIGHT CARRYING HITCH: 2500 LBS. TRAILER WEIGHT & 250 LBS. TONGUE WEIGHT.
DO NOT EXCEED VEHICLE MANUFACTURER'S RECOMMENDED TOWING CAPACITY.

Parts List			
ITEM	QTY	PART NUMBER	DESCRIPTION
1	6	M12 - 1.25 x 40 HEX	HEX BOLT
2	6	1/2"	LOCK WASHER
3	6	7/16 WASHER	WASHER



HITCH WEIGHT: 25 LBS.
 INSTALL TIME: 30 MINUTES
 INSTALL NOTES:
NO DRILLING REQUIRED

INSTALLATION STEPS

- 1) Under the rear of the car, locate the exhaust mufflers at the left and right side of the car. The mufflers are supported at the rear of the vehicle by flexible supports and brackets bolted into the chassis with three 12mm screws per bracket.
- 2) Temporarily remove these brackets from the chassis on both sides. Position the hitch on the vehicle at these same mounting points. Re-mount the brackets at the bottom of the hitch brackets on both sides. Mount using fasteners provided with the hitch.
- 3) Torque all 12mm fasteners to 86 lb-ft.

PERIODICALLY CHECK THIS RECEIVER HITCH TO ENSURE THAT ALL FASTENERS ARE TIGHT AND THAT ALL STRUCTURAL COMPONENTS ARE SOUND.

Curt Manufacturing Inc., warrants this product to be free of defects in material and/or workmanship at the time of retail purchase by the original purchaser. If the product is found to be defective, Curt Manufacturing Inc., may repair or replace the product, at their option, when the product is returned, prepaid, with proof of purchase. Alteration to, misuse of, or improper installation of this product voids the warranty. Curt Manufacturing Inc.'s liability is limited to repair or replacement of products found to be defective, and specifically excludes liability for incidental or consequential loss or damage.