

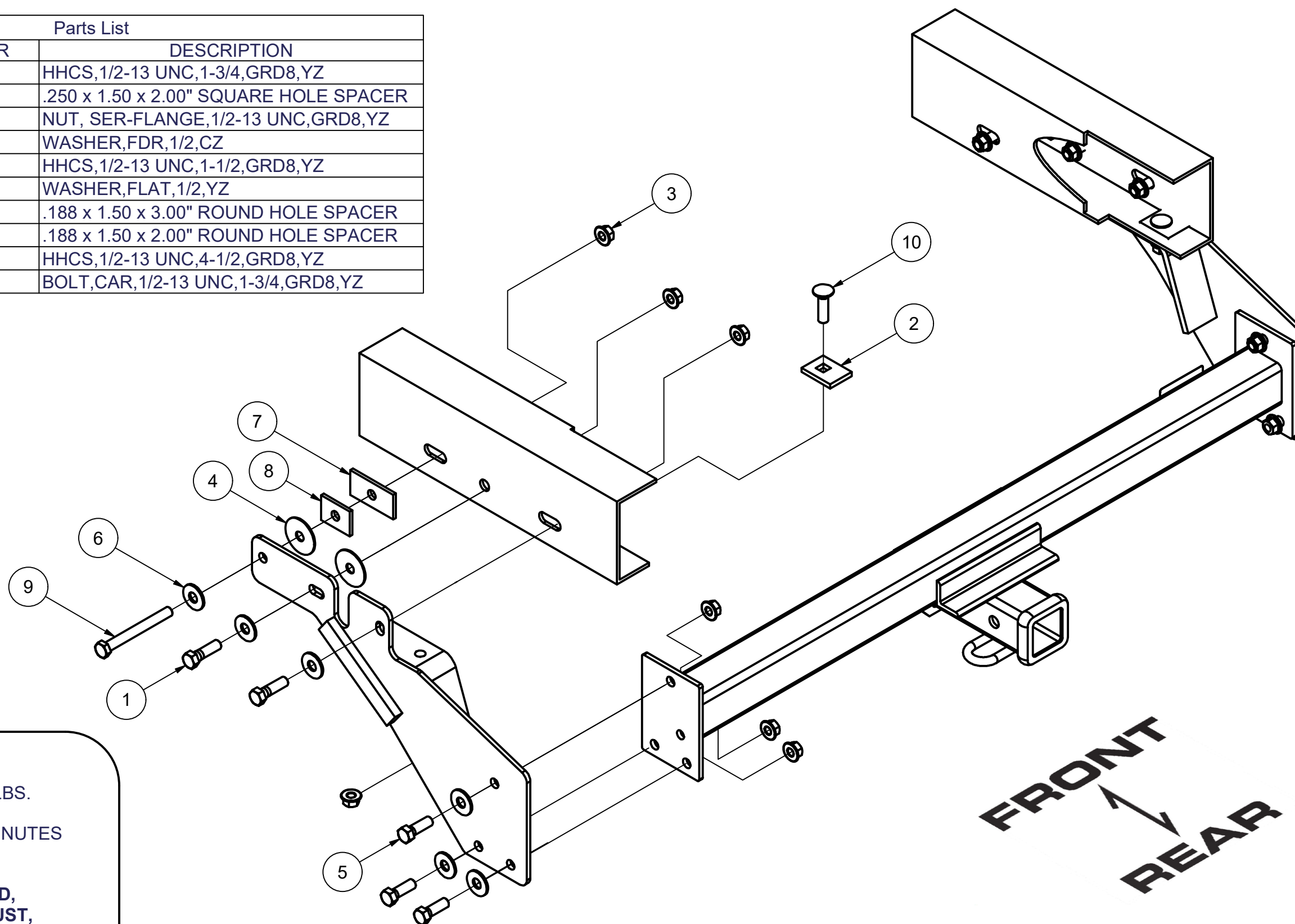
13024**87-91 TOYOTA 4 RUNNER 2WD & 4WD**

11/05/2020

**GROSS LOAD CAPACITY WHEN USED AS A WEIGHT CARRYING HITCH: 5,000 LBS. TRAILER WEIGHT & 500 LBS. TONGUE WEIGHT.
GROSS LOAD CAPACITY WHEN USED AS A WEIGHT DISTRIBUTION HITCH: 6,000 LBS. TRAILER WEIGHT & 600 LBS. TONGUE WEIGHT**

*****DO NOT EXCEED VEHICLE MANUFACTURER'S RECOMMENDED TOWING CAPACITY.*****

Parts List			
ITEM	QTY	PART NUMBER	DESCRIPTION
1	4	10-10370	HHCS, 1/2-13 UNC, 1-3/4, GRD8, YZ
2	2	CM-SP1	.250 x 1.50 x 2.00" SQUARE HOLE SPACER
3	14	20-00062	NUT, SER-FLANGE, 1/2-13 UNC, GRD8, YZ
4	4	30-00209	WASHER, FDR, 1/2, CZ
5	6	10-10334	HHCS, 1/2-13 UNC, 1-1/2, GRD8, YZ
6	12	30-00133	WASHER, FLAT, 1/2, YZ
7	2	CM-SP34	.188 x 1.50 x 3.00" ROUND HOLE SPACER
8	2	CM-SP32	.188 x 1.50 x 2.00" ROUND HOLE SPACER
9	2	10-10413	HHCS, 1/2-13 UNC, 4-1/2, GRD8, YZ
10	2	10-10272	BOLT, CAR, 1/2-13 UNC, 1-3/4, GRD8, YZ

HITCH WEIGHT: 52 LBS.INSTALL TIME: 60 MINUTES

INSTALL NOTES:

- DRILLING REQUIRED,
- REPOSITION EXHAUST,
- REPOSITION SPARE TIRE

INSTALLATION STEPS

Note: Spare tire may need to be repositioned slightly forward to avoid contact with receiver tube.

For 1987-1989 vehicles only: Loosely tape large fender washers to inboard surface of side plate, over each of the two mounting holes toward front of vehicle.

For 1990-1991 vehicles only: Remove exhaust bracket from forward surface of body mount. Loosen clamp at tailpipe. Reattach hanger bracket to rear surface of body mount. Retighten clamp at tailpipe.

- 1) Position side plate on outside surface of frame and align with existing holes. The horizontal portion of the mounting strap will be located on the bottom of the frame.
- 2) **Toward front of vehicle attachment:** Remove black plastic plug which covers hole in outside verticle surface on frame. Install 1/2-13 x 4 1/2" hex bolt through 1/2" flat washer, side plate, fender washer (**Used on 87-89 vehicle only**) or 1 1/2 x 2" round hole spacer (**Used on 90-91 vehicles only**) and frame. Fasten with 1 1/2 x 3" spacer shown and 1/2" flange nut. Do not tighten at this time.
- 3) **Center of hitch attachment:** Install 1/2-13 x 1 3/4 hex bolt through 1/2" flat washer, side plate, fender washer (**Used on 87-89 vehicles only**), and frame wall. Fasten with 1/2" flange nut and do not tighten at this time.
- 4) **Toward rear of vehicle attachment:** Install 1/2-13 x 1 3/4 hex bolt through 1/2" flat washer, side plate, and frame. Loosely fasten with 1/2" flange nut.
- 5) Repeat steps 1-4 on the opposite side of the vehicle.
- 6) Align cross tube assembly mounting holes with side plate mounting holes. Install 1/2-13 x 1 1/2 hex bolts, 1/2" washers, and 1/2-13 flange nuts.
- 7) **Mount strap attachment (vertical):** Using hole in mounting strap as a guide drill 1/2" hole in bottom of both frame rails. Install 1/2-13 x 1 3/4 carriage bolt through 1 1/2 x 2 installation spacer, frame, and mounting strap. Loosely fasten with 1/2-13 flange nut.
- 8) Torque all 1/2-13 fasteners to 110 lb.-ft

PERIODICALLY CHECK THIS RECEIVER HITCH TO ENSURE THAT ALL FASTENERS ARE TIGHT AND THAT ALL STRUCTURAL COMPONENTS ARE SOUND.

Curt Manufacturing Inc., warrants this product to be free of defects in material and/or workmanship at the time of retail purchase by the original purchaser. If the product is found to be defective, Curt Manufacturing Inc., may repair or replace the product, at their option, when the product is returned, prepaid, with proof of purchase. Alteration to, misuse of, or improper installation of this product voids the warranty. Curt Manufacturing Inc.'s liability is limited to repair or replacement of products found to be defective, and specifically excludes liability for incidental or consequential loss or damage.