

YEARS: 2013-PRESENT

MAKE: FORD

MODEL: ESCAPE

STYLE: SUV

WARNING: NEVER EXCEED YOUR VEHICLE MANUFACTURER'S RECOMMENDED TOWING CAPACITY

WEIGHT CARRYING:
 TRAILER WEIGHT: 3,500 LBS.
 TONGUE WEIGHT: 350 LBS.

WEIGHT DISTRIBUTION:
 TRAILER WEIGHT: 5,000 LBS.
 TONGUE WEIGHT: 500 LBS.

PRO INSTALL TIME: 40 MIN.
NOVICE INSTALL TIME: 80 MIN.

IF YOU ARE HESITANT TO UNDERTAKE THIS TASK ON YOUR OWN, CONTACT AN AUTHORIZED CURT INSTALLER FOR ADDITIONAL ASSISTANCE.

INSTALLATION REQUIRES:

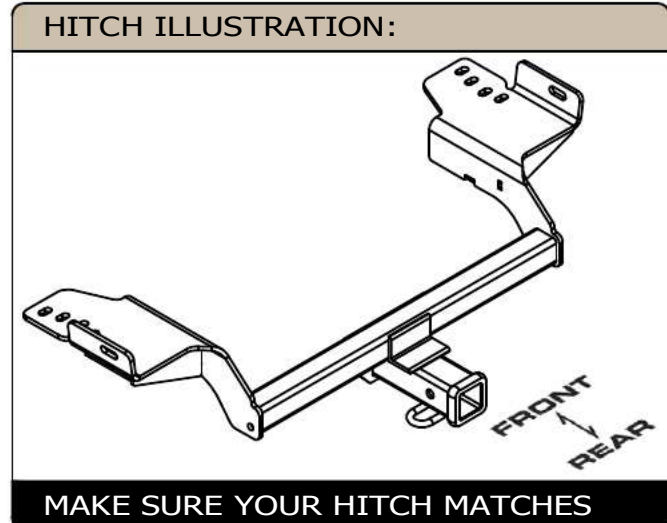
		6"
TORQUE WRENCH	RATCHET	SOCKET EXTENSION
13mm 10mm 11/16"		
SOCKET	DIE GRINDER	AVIATION SHEARS
SAFETY GLASSES		

INSTALLATION TIPS:

- BEFORE YOU BEGIN INSTALLATION, READ ALL INSTRUCTIONS THOROUGHLY.
- TO EASE INSTALLATION, 2 PEOPLE MAY BE REQUIRED.
- USING PROPER TOOLS WILL GREATLY IMPROVE THE QUALITY OF THE INSTALL AND REDUCE THE TIME REQUIRED.
- NEED HELP OR HAVE SOME QUESTIONS? CALL TECHNICAL SUPPORT AT 877.287.8634

LEVEL OF DIFFICULTY: MODERATE

EASY	MODERATE	CHALLENGING
	- TEMPORARILY LOWER EXHAUST	
	- TRIM HEAT SHIELD	
	- FISHWIRE HARDWARE	
	- ENLARGE ACCESS HOLE	



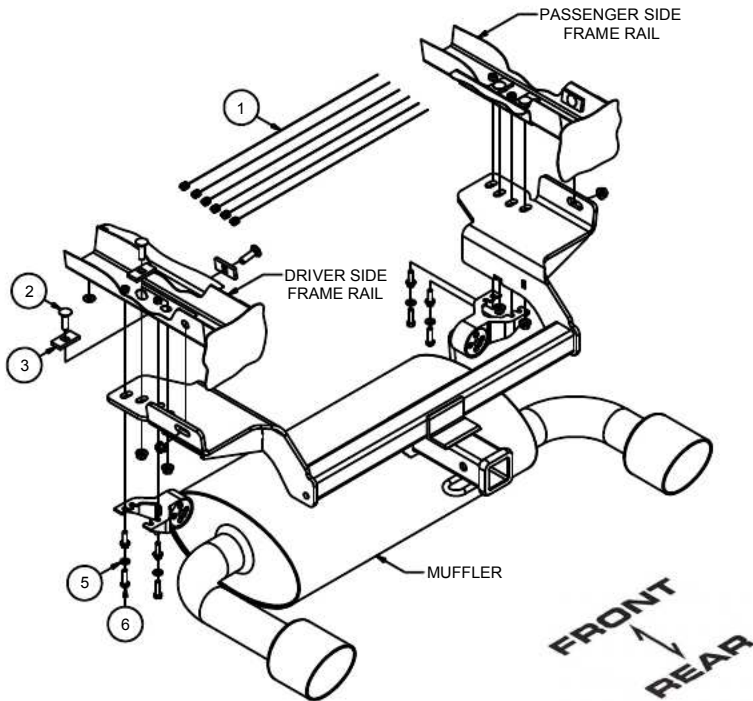
PERIODICALLY CHECK THIS RECEIVER HITCH TO ENSURE ALL FASTENERS ARE TIGHT AND ALL STRUCTURAL COMPONENTS ARE SOUND

CURT Manufacturing LLC. warrants this product to be free of defects in material and/or workmanship at the time of retail purchase by the original purchaser. If the product is found to be defective, CURT Manufacturing LLC. may repair or replace the product at their option, when the product is returned, prepaid, with proof of purchase. Alteration to, misuse of, or improper installation of this product voids the warranty. CURT Manufacturing LLC.'s liability is limited to repair or replacement of products found to be defective, and specifically excludes liability for incidental or consequential loss or damage.

For more information log onto www.curtmfg.com, & for helpful towing tips log onto www.hitchinfo.com

INSTALLATION WALKTHROUGH:

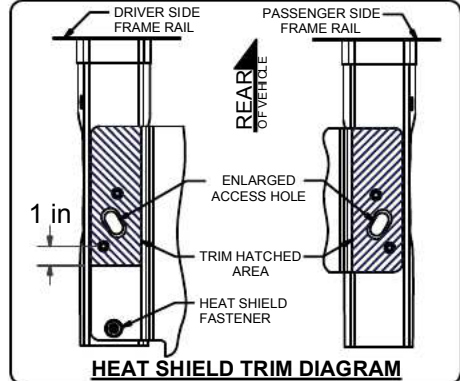
Parts List			
ITEM	QTY	PART NUMBER	DESCRIPTION
1	6	7_16 FISHWIRE	7/16" FISHWIRE
2	6	7/16-14 x 1 1/2	CARRIAGE BOLT
3	6	CM-SP7	.250 x 1.00 x 2.00" SQUARE HOLE SPACER
4	6	7/16-14	HEX FLANGE NUT
5	4	5/16"	WASHER
6	4	M8 - 1.25 x 30 HEX BOLT	HEX HEAD BOLT



1. Lower exhaust by removing the (4) 8mm bolts from the muffler brackets and the forward rubber isolator. Return the (4) 8mm bolts to the owner.



2. Remove the (1) fastener securing the heat shield to the bottom of the driver side frame rail. Trim the portion of the heat shield covering the mounting areas of the driver and passenger side frame rails, see trim diagram. After trimming re-attach the heat shield to the bottom of the driver side.



RUBBER ISOLATOR REMOVAL DIAGRAM

This technique can be used if an Exhaust Hanger Removal Pliers is not available.

Using a 5/8" open end wrench, slide the wrench up to the rubber isolator, cradling the hanger rod as shown. Next place the flat edge of a pry bar between the wrench and the hanger stop or hanger rod. Then simply rotate the pry bar toward the wrench to remove the rubber isolator.

Note: Using a spray lubricant or soapy water on the hanger rod and the rubber isolator helps removal.

WELDNUT CLEANING

To remove debris from weldnuts in frame, spray lubricant or compressed air into hole. For heavy debris, use a small wire brush. (Be careful not to damage threads).

INSTALLATION WALKTHROUGH:

3. Enlarge the access holes to allow 7/16" carriage bolts to pass through. Fishwire the 7/16" carriage bolts and SP7 spacers in the enlarged access hole and out the (2) rear-most mounting holes, both sides. Reverse fishwire the 7/16" carriage bolt and SP7 spacer in the enlarged access hole, both sides. **Note:** Leave fishwires attached to prevent loss into the frame rails. Push the side fasteners back into the frame rail prior to raising the hitch into position.

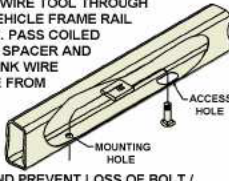


4. Slide the hitch in from the rear passenger side of the vehicle over the exhaust and into position. **Note:** Feed the fishwires through the mounting holes while raising the hitch.

FISHWIRE TECHNIQUE

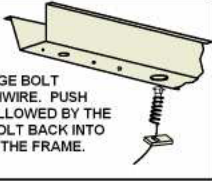
INSERT COILED END OF FISHWIRE TOOL THROUGH HITCH MOUNTING HOLE IN VEHICLE FRAME RAIL AND OUT THE ACCESS HOLE. PASS COILED END OF FISHWIRE THROUGH SPACER AND THREAD BOLT INTO COIL. KINK WIRE TO KEEP SPACER SEPERATE FROM BOLT AS SHOWN. PULL FISHWIRE, SPACER, AND BOLT THROUGH FRAME AND OUT MOUNTING HOLE. USE FISHWIRE TO GUIDE HITCH DURING MOUNTING AND PREVENT LOSS OF BOLT / SPACER INSIDE FRAME RAIL.

NOTE: SOME VEHICLES MAY FISHWIRE THROUGH END OF FRAME



REVERSE PULL FISHWIRE TECHNIQUE

ATTACH FISHWIRE TO CARRIAGE BOLT AND SLIDE SPACER ONTO FISHWIRE. PUSH THE BOLT THRU THE HOLE FOLLOWED BY THE SPACER (AS SHOWN). PULL BOLT BACK INTO POSITION, PROTRUDING FROM THE FRAME.



5. Remove the fishwires from the carriage bolts in the bottom of the frame rails and loosely secure the hitch with 7/16" flange nuts. Pull the fishwires through the side mounting holes and loosely secure them with 7/16" flange nuts. Re-attach the muffler brackets to the bottom of the hitch into the original mounting holes using the provided M8-1.25 hex bolts and 5/16" washers.



6. Torque all 7/16" hardware to 70 ft-lbs. Torque all M8 hardware to 23 ft-lbs. Re-attach rubber isolator removed in Step 1.

Installation complete



13186

FORD ESCAPE

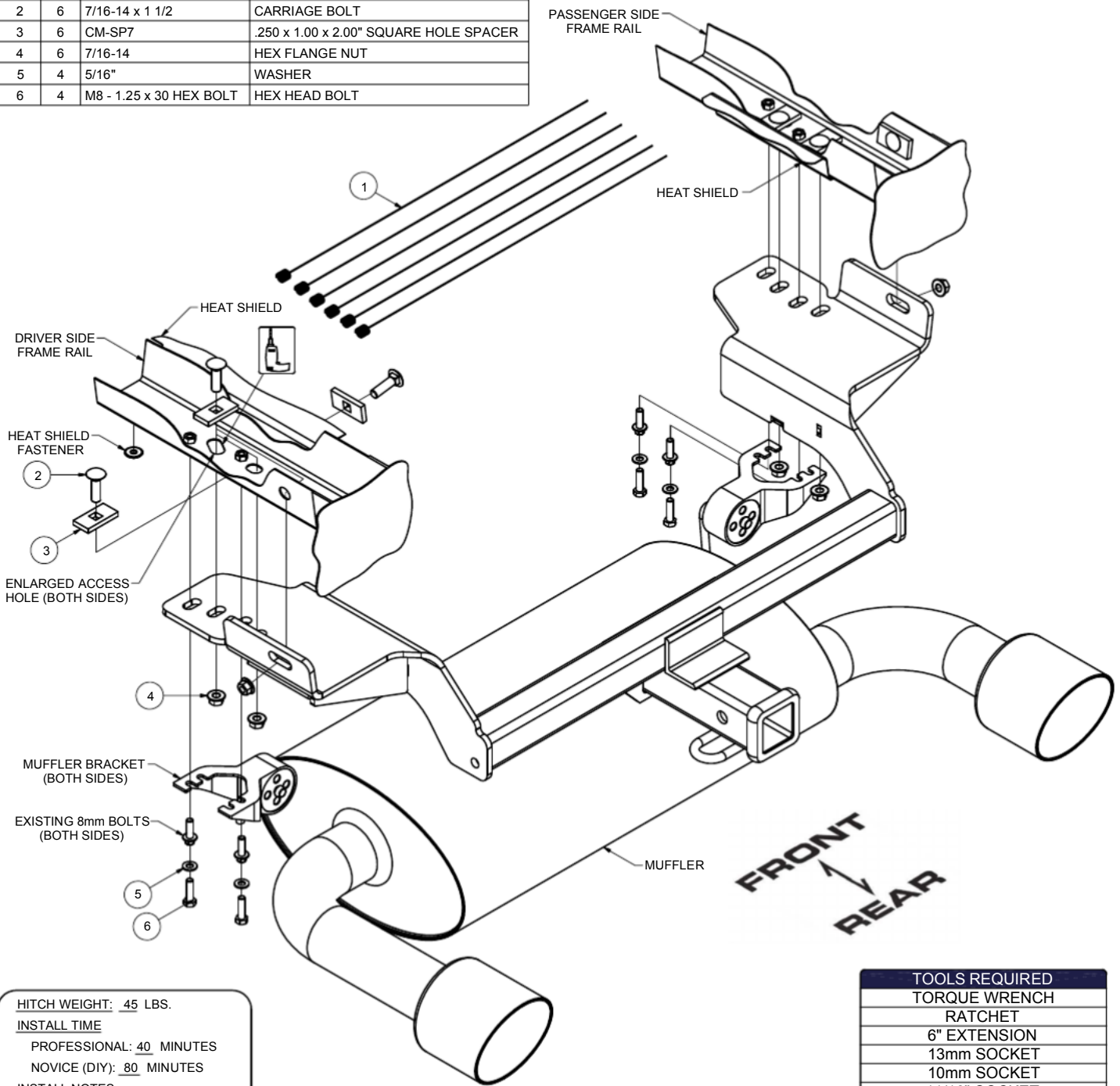
8/26/2014

GROSS LOAD CAPACITY WHEN USED AS A WEIGHT CARRYING HITCH: 3,500 LBS. TRAILER WEIGHT & 350 LBS. TONGUE WEIGHT.
GROSS LOAD CAPACITY WHEN USED AS A WEIGHT DISTRIBUTION HITCH: 5,000 LBS. TRAILER WEIGHT & 500 LBS. TONGUE WEIGHT

*****DO NOT EXCEED VEHICLE MANUFACTURER'S RECOMMENDED TOWING CAPACITY.*****

HAVING INSTALLATION QUESTIONS? CALL TECHNICAL SUPPORT AT 1-877-287-8634

Parts List			
ITEM	QTY	PART NUMBER	DESCRIPTION
1	6	7_16 FISHWIRE	7/16" FISHWIRE
2	6	7/16-14 x 1 1/2	CARRIAGE BOLT
3	6	CM-SP7	.250 x 1.00 x 2.00" SQUARE HOLE SPACER
4	6	7/16-14	HEX FLANGE NUT
5	4	5/16"	WASHER
6	4	M8 - 1.25 x 30 HEX BOLT	HEX HEAD BOLT



HITCH WEIGHT: 45 LBS.
 INSTALL TIME
 PROFESSIONAL: 40 MINUTES
 NOVICE (DIY): 80 MINUTES
 INSTALL NOTES:
 - HOLE ENLARGEMENT
 - FISHWIRE HARDWARE
 - TRIM HEAT SHIELD
 - TEMPORARILY LOWER EXHAUST

TOOLS REQUIRED
TORQUE WRENCH
RATCHET
6" EXTENSION
13mm SOCKET
10mm SOCKET
11/16" SOCKET
DIE GRINDER
SHEARS
SAFETY GLASSES

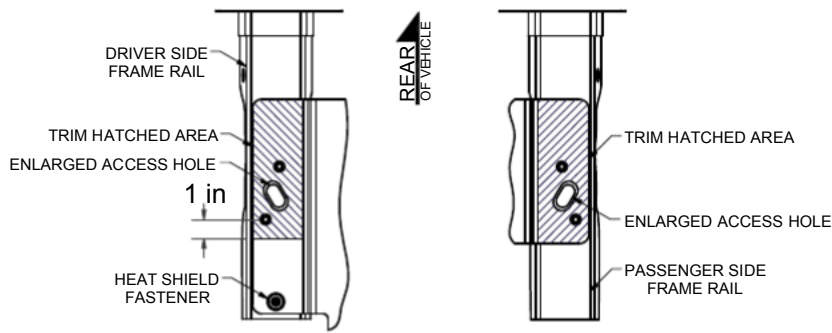
PERIODICALLY CHECK THIS RECEIVER HITCH TO ENSURE THAT ALL FASTENERS ARE TIGHT AND THAT ALL STRUCTURAL COMPONENTS ARE SOUND.



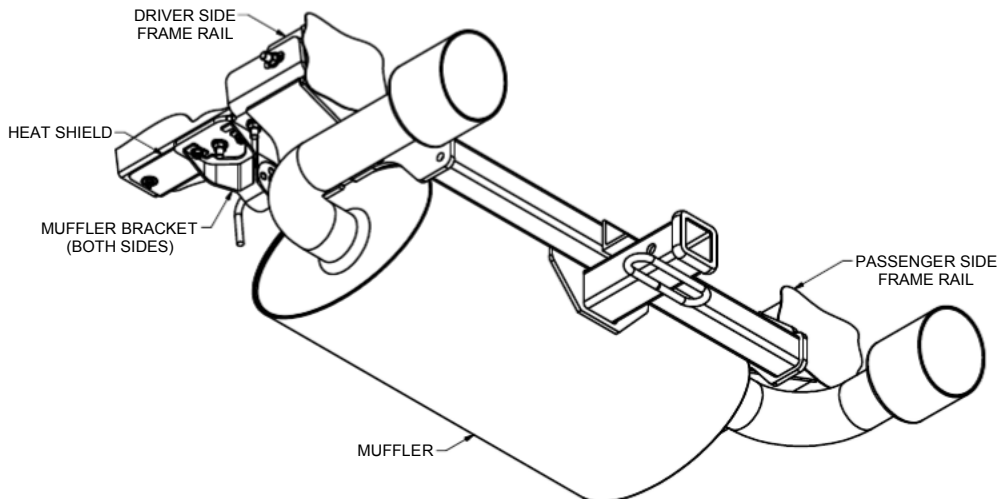
Scan for more information

CURT Manufacturing LLC., warrants this product to be free of defects in material and/or workmanship at the time of retail purchase by the original purchaser. If the product is found to be defective, CURT Manufacturing LLC., may repair or replace the product, at their option, when the product is returned, prepaid, with proof of purchase. Alteration to, misuse of, or improper installation of this product voids the warranty. CURT Manufacturing LLC.'s liability is limited to repair or replacement of products found to be defective, and specifically excludes liability for incidental or consequential loss or damage.

HAVING INSTALLATION QUESTIONS? CALL TECHNICAL SUPPORT AT 1-877-287-8634



HEAT SHIELD TRIM DIAGRAM



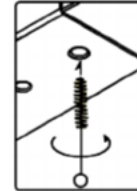
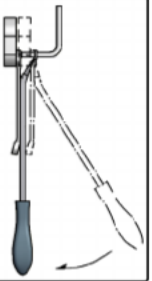
INSTALLED HITCH

**RUBBER ISOLATOR
REMOVAL DIAGRAM**

This technique can be used if an Exhaust Hanger Removal Pliers is not available.

Using a 5/8" open end wrench, slide the wrench up to the rubber isolator, cradling the hanger rod as shown. Next place the flat edge of a pry bar between the wrench and the hanger stop or hanger rod. Then simply rotate the pry bar toward the wrench to remove the rubber isolator.

Note: Using a spray lubricant or soapy water on the hanger rod and the rubber isolator helps removal.



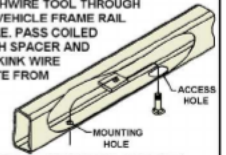
WELDNUT CLEANING

To remove debris from weldnuts in frame, spray lubricant or compressed air into hole. For heavy debris, use a small wire brush. (Be careful not to damage threads.)

FISHWIRE TECHNIQUE

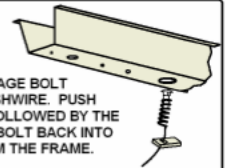
INSERT COILED END OF FISHWIRE TOOL THROUGH HITCH MOUNTING HOLE IN VEHICLE FRAME RAIL AND OUT THE ACCESS HOLE. PASS COILED END OF FISHWIRE THROUGH SPACER AND THREAD BOLT INTO COIL. KINK WIRE TO KEEP SPACER SEPARATE FROM BOLT AS SHOWN. PULL FISHWIRE, SPACER, AND BOLT THROUGH FRAME AND OUT MOUNTING HOLE. USE FISHWIRE TO GUIDE HITCH DURING MOUNTING AND PREVENT LOSS OF BOLT / SPACER INSIDE FRAME RAIL.

NOTE: SOME VEHICLES MAY FISHWIRE THROUGH END OF FRAME



**REVERSE PULL FISHWIRE
TECHNIQUE**

ATTACH FISHWIRE TO CARRIAGE BOLT AND SLIDE SPACER ONTO FISHWIRE. PUSH THE BOLT THRU THE HOLE FOLLOWED BY THE SPACER (AS SHOWN). PULL BOLT BACK INTO POSITION, PROTRUDING FROM THE FRAME.



INSTALLATION STEPS

1. Lower exhaust by removing the (4) 8mm bolts from the muffler brackets and the forward rubber isolator. Return the (4) 8mm bolts to the owner. See Rubber Isolator Removal Diagram
2. Remove the (1) fastener securing the heat shield to the bottom of the driver side frame rail. Trim the portion of the heat shield covering the mounting areas of the driver and passenger side frame rails, see trim diagram. After trimming re-attach the heat shield to the bottom of the driver side.
3. Enlarge the access holes to allow 7/16" carriage bolts to pass through.
4. Fishwire the 7/16" carriage bolts and SP7 spacers in the enlarged access hole and out the (2) rear-most mounting holes, both sides. Reverse fishwire the 7/16" carriage bolt and SP7 spacer in the enlarged access hole, both sides. See Fishwire Diagrams. **Note:** Leave fishwires attached to prevent loss into the frame rails. Push the side fasteners back into the frame rail prior to raising the hitch into position.
5. Slide the hitch in from the rear passenger side of the vehicle over the exhaust and into position. **Note:** Feed the fishwires through the mounting holes while raising the hitch.
6. Remove the fishwires from the carriage bolts in the bottom of the frame rails and loosely secure the hitch with 7/16" flange nuts. Pull the fishwires through the side mounting holes and loosely secure them with 7/16" flange nuts.
7. Re-attach the muffler brackets to the bottom of the hitch into the original mounting holes using the provided M8-1.25 hex bolts and 5/16" washers.
8. Torque all 7/16" hardware to 70 ft-lbs.
Torque all M8 hardware to 23 ft-lbs.
9. Re-attach rubber isolator removed in Step 1.

PERIODICALLY CHECK THIS RECEIVER HITCH TO ENSURE THAT ALL FASTENERS ARE TIGHT AND THAT ALL STRUCTURAL COMPONENTS ARE SOUND.

CURT Manufacturing LLC., warrants this product to be free of defects in material and/or workmanship at the time of retail purchase by the original purchaser. If the product is found to be defective, CURT Manufacturing LLC., may repair or replace the product, at their option, when the product is returned, prepaid, with proof of purchase. Alteration to, misuse of, or improper installation of this product voids the warranty. CURT Manufacturing LLC.'s liability is limited to repair or replacement of products found to be defective, and specifically excludes liability for incidental or consequential loss or damage.