

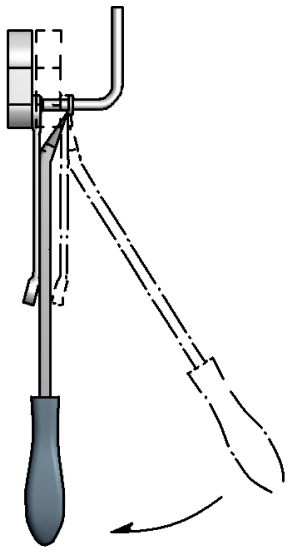
GROSS LOAD CAPACITY WHEN USED AS A WEIGHT CARRYING HITCH: 4,000 LBS. TRAILER WEIGHT & 400 LBS. TONGUE WEIGHT.
 GROSS LOAD CAPACITY WHEN USED AS A WEIGHT DISTRIBUTION HITCH: 4,500 LBS. TRAILER WEIGHT & 450 LBS. TONGUE WEIGHT

*****DO NOT EXCEED VEHICLE MANUFACTURER'S RECOMMENDED TOWING CAPACITY.*****

HAVING INSTALLATION QUESTIONS? CALL TECHNICAL SUPPORT AT 877-287-8634

Parts List			
ITEM	QTY	PART NUMBER	DESCRIPTION
1	6	20-00103	NUT, SER-FLANGE, 7/16-14 UNC, GRD8, YZ
2	4	10-10282	BOLT, CAR, 7/16-14 UNC, 1-1/2, GRD8, YZ
3	2	10-10317	BOLT, CAR, 7/16-14 UNC, 2, GRD8, YZ
4	2	7_16 FISHWIRE	7/16" FISHWIRE
5	4	CM-SP11	.250 x 1.00 x 2.50" SQUARE HOLE SPACER
6	2	CM-SP7	.250 x 1.00 x 2.00" SQUARE HOLE SPACER
7	2	CM-SP52	.500 x 1.25 x 2.50" ROUND HOLE SPACER

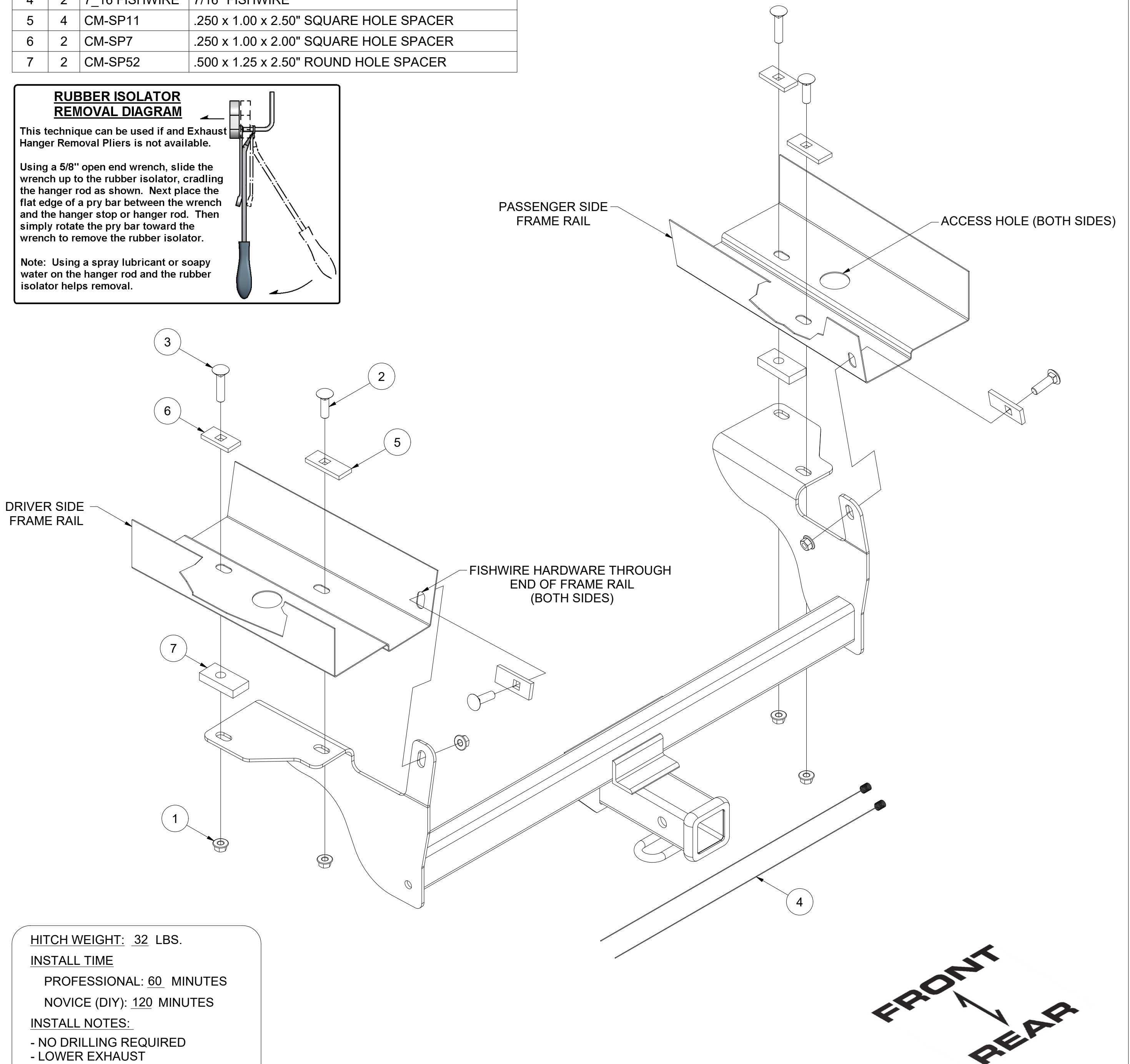
RUBBER ISOLATOR REMOVAL DIAGRAM



This technique can be used if and Exhaust Hanger Removal Pliers is not available.

Using a 5/8" open end wrench, slide the wrench up to the rubber isolator, cradling the hanger rod as shown. Next place the flat edge of a pry bar between the wrench and the hanger stop or hanger rod. Then simply rotate the pry bar toward the wrench to remove the rubber isolator.

Note: Using a spray lubricant or soapy water on the hanger rod and the rubber isolator helps removal.



HITCH WEIGHT: 32 LBS.

INSTALL TIME

PROFESSIONAL: 60 MINUTES

NOVICE (DIY): 120 MINUTES

INSTALL NOTES:

- NO DRILLING REQUIRED
- LOWER EXHAUST
- FISHWIRE HARDWARE
- HEAT SHIELD TRIMMING REQUIRED

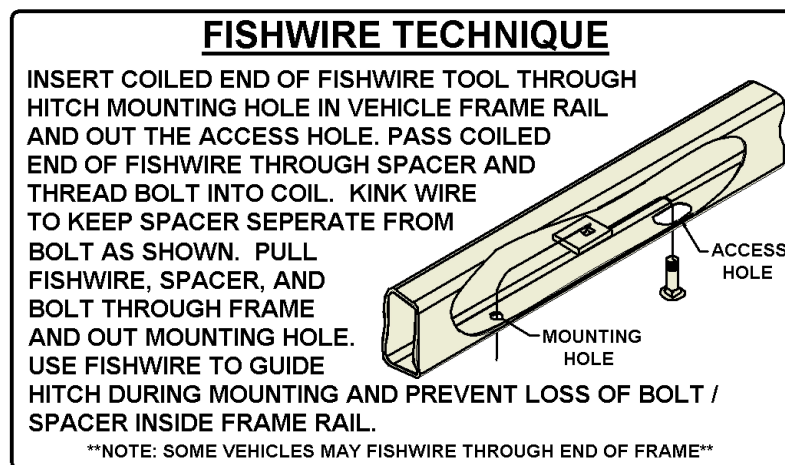
PERIODICALLY CHECK THIS RECEIVER HITCH TO ENSURE THAT ALL FASTENERS ARE TIGHT AND THAT ALL STRUCTURAL COMPONENTS ARE SOUND.

Curt Manufacturing Inc., warrants this product to be free of defects in material and/or workmanship at the time of retail purchase by the original purchaser. If the product is found to be defective, Curt Manufacturing Inc., may repair or replace the product, at their option, when the product is returned, prepaid, with proof of purchase. Alteration to, misuse of, or improper installation of this product voids the warranty. Curt Manufacturing Inc.'s liability is limited to repair or replacement of products found to be defective, and specifically excludes liability for incidental or consequential loss or damage.

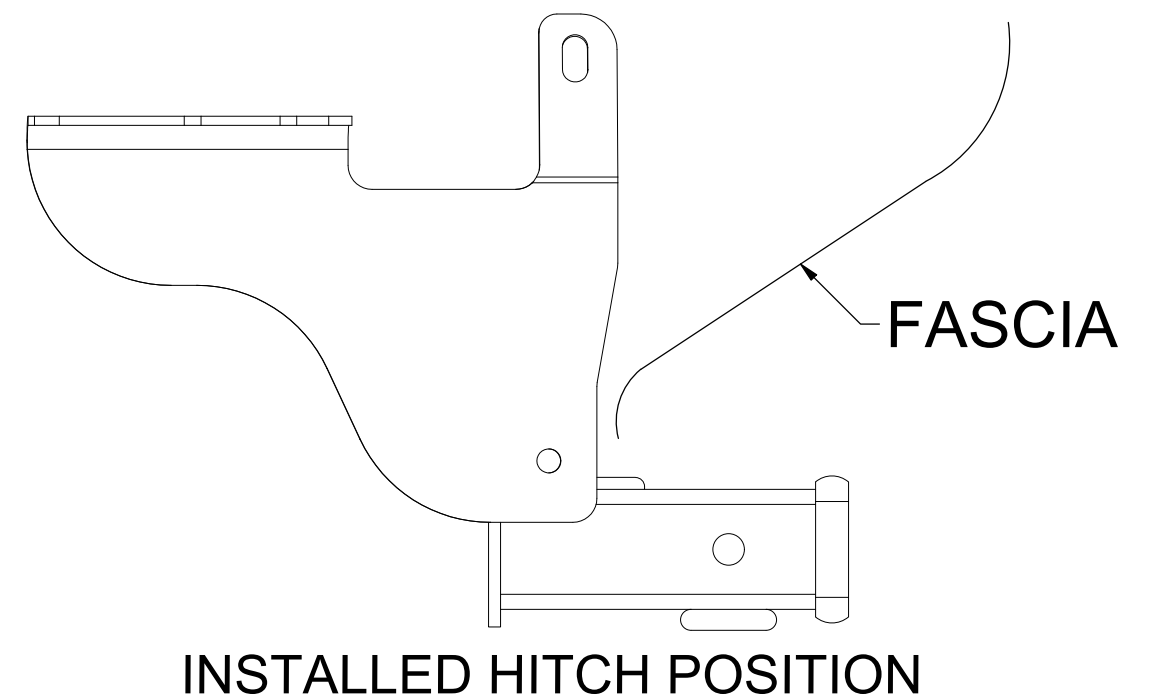
GROSS LOAD CAPACITY WHEN USED AS A WEIGHT CARRYING HITCH: 4,000 LBS. TRAILER WEIGHT & 400 LBS. TONGUE WEIGHT.
GROSS LOAD CAPACITY WHEN USED AS A WEIGHT DISTRIBUTION HITCH: 4,500 LBS. TRAILER WEIGHT & 450 LBS. TONGUE WEIGHT

*****DO NOT EXCEED VEHICLE MANUFACTURER'S RECOMMENDED TOWING CAPACITY.*****

HAVING INSTALLATION QUESTIONS? CALL TECHNICAL SUPPORT AT 877-287-8634



TOOLS REQUIRED
SOCKET WRENCH
11/16" SOCKET
13mm SOCKET
T15 TORX SOCKET
TORQUE WRENCH
AVIATION SHEARS



INSTALLATION STEPS

Note: On 2015 and newer vehicles with dual exhaust, remove the screws attaching the decorative exhaust ports in the fascia using a T15 Torx socket.

1. Lower exhaust by removing rubber isolator(s) from muffler(s). (See RUBBER ISOLATOR REMOVAL DIAGRAM.)
2. Remove exhaust hanger for ease of heat shield trimming. Save exhaust hanger for reinstallation in Step 14.
3. Trim heat shields (one per side) to provide clearance around hitch side plates.
4. Remove tape covering holes on bottom and sides of each frame rail. Save tape for reuse in Step 13.
5. Fishwire 7/16-14 x 1 1/2" carriage bolts and CM-SP11 spacers through access hole in frame rails and out middle mounting hole for hitch. (See FISHWIRE TECHNIQUE diagram.)
6. Raise hitch into position over exhaust and secure hitch with hand tightened 7/16" hex flange nuts, as shown.
7. Slide CM-SP52 spacers into position between hitch side plates and frame rails for front mounting holes, as shown.
8. Fishwire 7/16-14 x 2" carriage bolts and CM-SP7 spacers through access holes and out front mounting holes, as shown. (See FISHWIRE TECHNIQUE diagram.)
9. Install hand tightened 7/16" hex flange nuts onto hardware from Step 8.
10. Fishwire 7/16-14 x 2" carriage bolts and CM-SP7 spacer through rear of frame rails and out mounting holes on sides of rails, as shown. (See FISHWIRE TECHNIQUE diagram.)
11. Install hand tightened 7/16" hex flange nuts onto hardware from Step 10.
12. Torque 7/16" hardware to 70 lb-ft.
13. Cut tape removed in Step 4 into strips to cover unused holes exposed in frame rails.
14. Reinstall exhaust hanger removed in Step 2.
15. Raise exhaust back into position and reinstall rubber isolators (removed in Step 1) and decorative exhaust ports if removed.

PERIODICALLY CHECK THIS RECEIVER HITCH TO ENSURE THAT ALL FASTENERS ARE TIGHT AND THAT ALL STRUCTURAL COMPONENTS ARE SOUND.