

13349

KIA SEDONA (113.8") SHORT WHEEL BASE

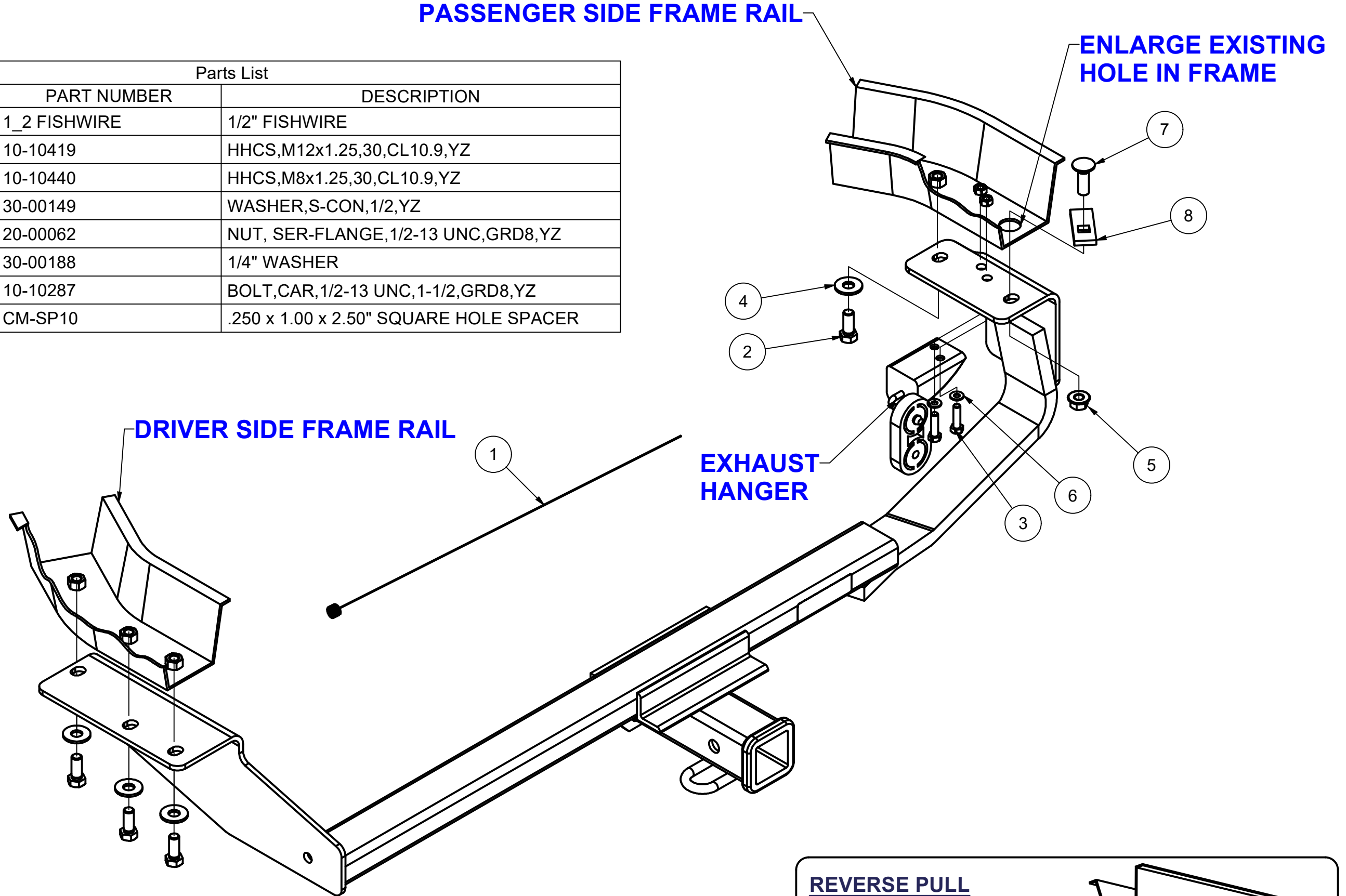
10/01/2020

GROSS LOAD CAPACITY WHEN USED AS A WEIGHT CARRYING HITCH: 3500 LBS. TRAILER WEIGHT & 350 LBS. TONGUE WEIGHT.  
**\*\*\*DO NOT EXCEED VEHICLE MANUFACTURER'S RECOMMENDED TOWING CAPACITY.\*\*\***

PASSENGER SIDE FRAME RAIL

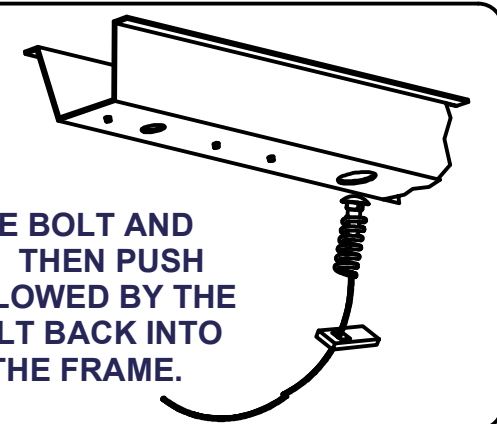
ENLARGE EXISTING HOLE IN FRAME

Parts List			
ITEM	QTY	PART NUMBER	DESCRIPTION
1	1	1_2 FISHWIRE	1/2" FISHWIRE
2	4	10-10419	HHCS,M12x1.25,30,CL10.9,YZ
3	2	10-10440	HHCS,M8x1.25,30,CL10.9,YZ
4	4	30-00149	WASHER,S-CON,1/2,YZ
5	1	20-00062	NUT, SER-FLANGE,1/2-13 UNC,GRD8,YZ
6	2	30-00188	1/4" WASHER
7	1	10-10287	BOLT,CAR,1/2-13 UNC,1-1/2,GRD8,YZ
8	1	CM-SP10	.250 x 1.00 x 2.50" SQUARE HOLE SPACER



REVERSE PULL FISHWIRE TECHNIQUE

TO FISHWIRE CENTER SLOT, ATTACH FISHWIRE TO CARRIAGE BOLT AND SLIDE SPACER ONTO FISHWIRE. THEN PUSH THE BOLT THRU THE HOLE FOLLOWED BY THE SPACER (AS SHOWN). PULL BOLT BACK INTO POSITION, PROTRUDING FROM THE FRAME.



HITCH WEIGHT: 44 LBS.

INSTALL TIME: 30 MINUTES

INSTALL NOTES:

- LOWER EXHAUST
- ENLARGE EXISTING HOLE
- FISHWIRING REQUIRED

**INSTALLATION STEPS**

- 1) Remove tow hook on driver side frame rail and return it to customer.
- 2) Lower exhaust bracket by removing two M8 bolts from frame rail on passenger side of vehicle.
- 3) Enlarge existing hole on passenger side frame rail with 1" hole saw. When enlarged, reverse fishwire a 1/2 - 13 x 1 1/2" carriage bolt and CM-SP10 spacer into enlarged hole as shown in illustrations above.
- 4) Raise hitch into position. Finger tight 1/2" flange nut on carriage bolt and proceed to finger tight all M12 bolts as shown in illustrations above.
- 5) Raise exhaust hanger back into position and finger tight to the sideplate with Curt supplied M8 bolts.
- 6) Torque 1/2" hardware to 110 ft.-lb., M12 hardware to 86 ft.-lb., and M8 hardware to 23 ft.-lb.

**PERIODICALLY CHECK THIS RECEIVER HITCH TO ENSURE THAT ALL FASTENERS ARE TIGHT AND THAT ALL STRUCTURAL COMPONENTS ARE SOUND.**

Curt Manufacturing Inc., warrants this product to be free of defects in material and/or workmanship at the time of retail purchase by the original purchaser. If the product is found to be defective, Curt Manufacturing Inc., may repair or replace the product, at their option, when the product is returned, prepaid, with proof of purchase. Alteration to, misuse of, or improper installation of this product voids the warranty. Curt Manufacturing Inc.'s liability is limited to repair or replacement of products found to be defective, and specifically excludes liability for incidental or consequential loss or damage.