

# INSTALLATION MANUAL

# 13494

## Level of Difficulty

Difficult

Installation difficulty levels are based on time and effort involved and may vary depending on the installer level of expertise, condition of the vehicle and proper tools and equipment.

## Weight Carrying Capacity

Gross trailer weight (GTW)	3,500 lbs.
Tongue weight (TW)	350 lbs.

## Parts List

Item	Qty	Description
1	2	Carriage bolt, 7/16"-14 x 1-1/4", grade 8
2	4	Hex bolt, M10 x 1.25 – 35
3	2	Serrated-flange nut, 7/16" – 14
4	4	Conical-toothed washer, 3/8"

## Tools Required

Socket, 11/16"	Ratchet
Socket, 10mm	Tape measure
Socket, 14mm	Masking tape
Socket, 17mm	Safety glasses
Socket extension, 6"	Aviation shears
Torque wrench	Fishwire, 7/16" (includes 2 qty)

\* For a tools reference guide visit [curtmfg.com/trailer-hitch-installation](http://curtmfg.com/trailer-hitch-installation)

## ⚠ WARNING

Never exceed the vehicle manufacturer's recommended towing capacity.

## Product Photo



## NOTICE

Visit [www.curtmfg.com](http://www.curtmfg.com) for a full-color copy of this instruction manual, as well as helpful videos, guides and much more!

Before you begin installation, read all instructions thoroughly.

Proper tools will improve the quality of installation and reduce the time required.

This installation requires:

- Partial removal and trimming of the underbody panel

Periodic inspection of the trailer hitch should be performed to ensure all mounting hardware remains tight and structural components are secure.

To help prevent damage to the product or vehicle, refer to the specified torque specifications when securing hardware during the installation process.

## SAFETY INSTRUCTIONS

Safety glasses should be worn at all times while installing this product.

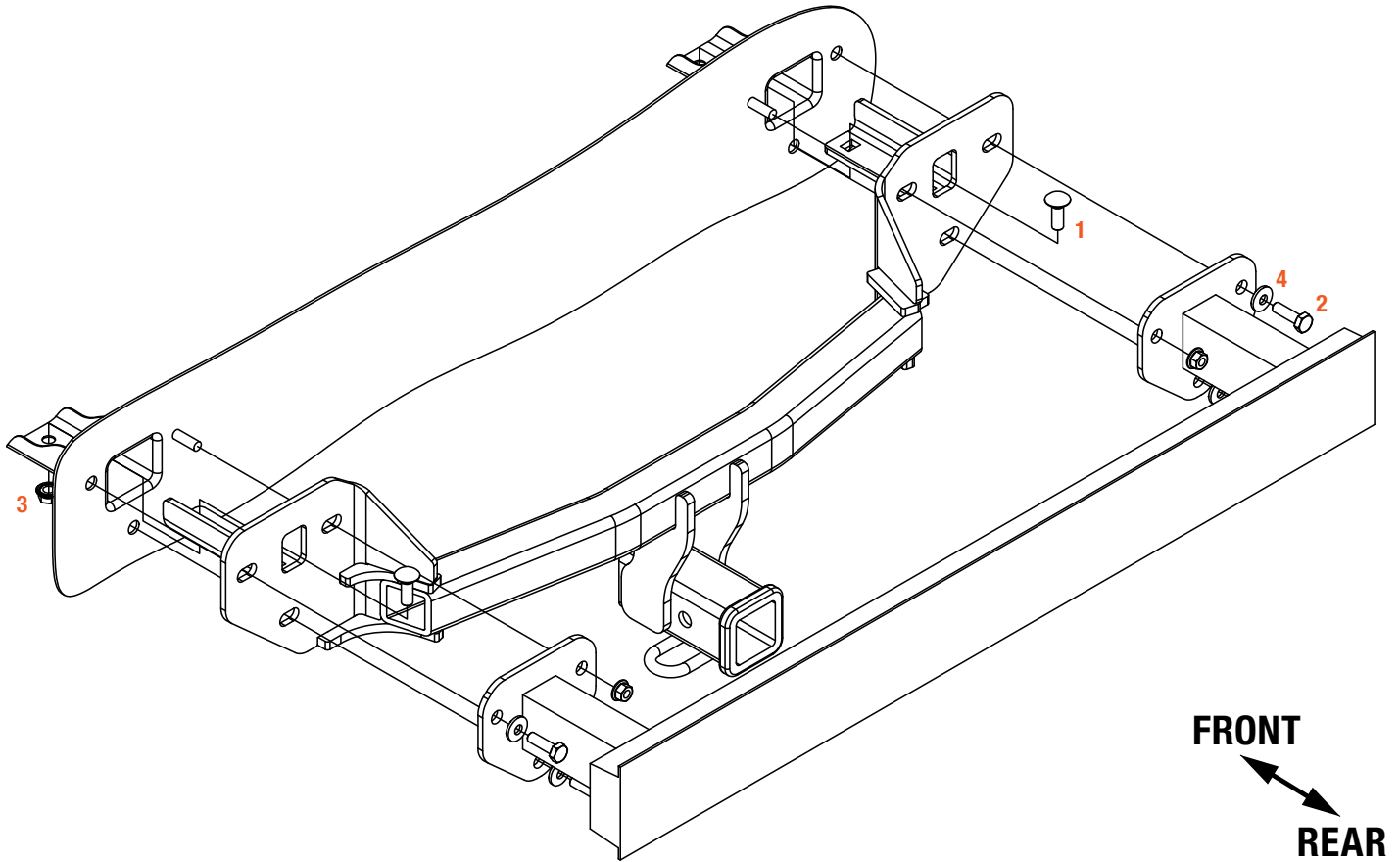
## Product Registration and Warranty

CURT stands behind our products with industry-leading warranties. To get copies of the product warranties, register your purchase or provide feedback, visit: [warranty.curtgroup.com/surveys](http://warranty.curtgroup.com/surveys)

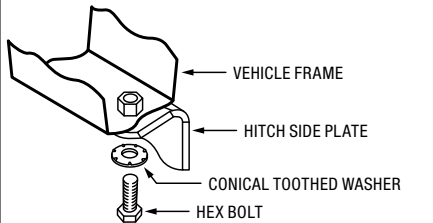
# ASSEMBLY

## Parts List

Item	Qty	Description
1	2	Carriage bolt, 7/16"-14 x 1-1/4", grade 8
2	4	Hex bolt, M10 x 1.25 – 35
3	2	Serrated-flange nut, 7/16" – 14
4	4	Conical-toothed washer, 3/8"

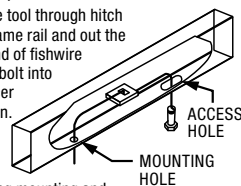


### CONICAL TOOTHED WASHER ORIENTATION



### FISHWIRE TECHNIQUE

Insert coiled end of fishwire tool through hitch mounting hole in vehicle frame rail and out the access hole. Pass coiled end of fishwire through spacer and thread bolt into coil. Kink wire to keep spacer separate from bolt as shown. Pull fishwire, spacer and bolt through frame and out mounting hole. Use fishwire to guide hitch during mounting and prevent loss of bolt or spacer inside frame rail.



### Step 1

Remove the seven plastic fasteners from the bottom of the bumper cover and the top fastener from inside each wheel well by pushing in the center. Save all fasteners for reinstallation in Step 7.

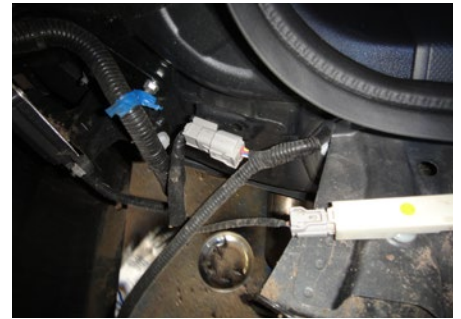
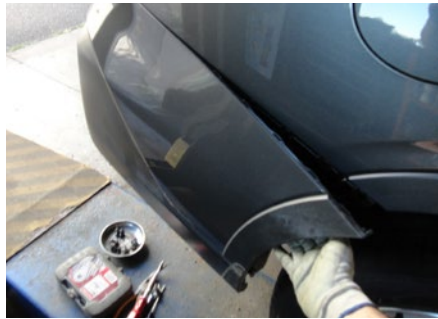
**Note:** If the vehicle has mud flaps, remove them first by using an 8mm socket to remove the two bolts and a flathead screwdriver to remove the two push fasteners. Set aside for reinstallation in Step 7.



### Step 2

Carefully remove the bumper cover by pulling the sides away from the vehicle and then straight back. Set aside for reinstallation in Step 7.

**Note:** Disconnect any electrical connectors while removing the cover.



### Step 3

Remove four bolts using a 17mm socket and two nuts using a 14mm socket from the bumper beam. Save the nuts for reinstallation in Step 5. Remove the bumper beam and set aside for reinstallation in Step 5.



### Step 4

Raise the hitch into position, sliding the tabs into the frame rail. Fishwire 7/16" carriage bolts (#1) into place through the hole in the side plate and out the bottom of the frame rail. Secure with 7/16" serrated flange nut (#3).

**Note:** Temporarily installing the nuts removed in Step 3 to secure the hitch in place may ease installation of carriage bolt.



### Step 5

Place the bumper beam over the hitch and secure with the nuts removed in Step 3. Loosely install the supplied M10 bolts (#2) and conical-toothed washers (#4).



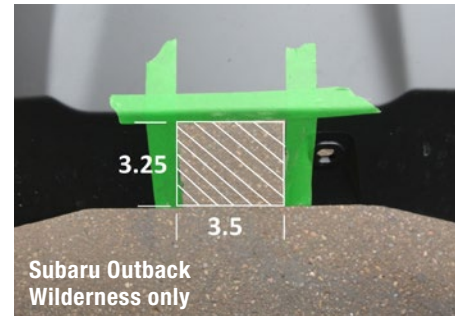
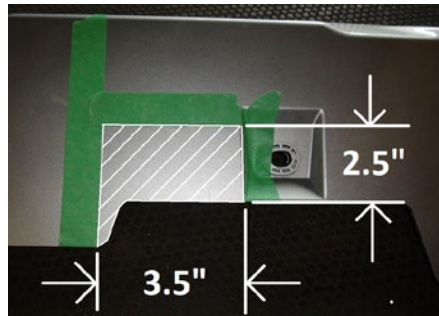
### Step 6

Torque all M10 hardware to 45 ft-lbs and 7/16" hardware to 59 ft-lbs.



### Step 7

Trim the bumper fascia using the trim diagram to the right for reference. Reinstall the bumper cover removed in Step 2.



### Final Installed Image



### TOWING BASICS & SAFETY INFORMATION

For information on safely towing your trailer, visit [curtmfg.com/understanding-towing](http://curtmfg.com/understanding-towing).