

# INSTALLATION MANUAL

# 13519

## Level of Difficulty

Easy

Installation difficulty levels are based on time and effort involved and may vary depending on the installer level of expertise, condition of the vehicle and proper tools and equipment.

## Weight Carrying Capacity

Gross trailer weight (GTW)	5,000 lbs.
Tongue weight (TW)	500 lbs.

## Parts List

Item	Qty	Description
1	4	Hex bolt, M12
2	4	Conical-toothed washer, 1/2"

## Tools Required

Ratchet	Flathead screwdriver
Socket, 19mm	Safety glasses
Torque wrench	--

\* For a tools reference guide visit [curtmfg.com/trailer-hitch-installation](http://curtmfg.com/trailer-hitch-installation)

## ⚠ WARNING

Never exceed the vehicle manufacturer's recommended towing capacity.

## Product Photo



## NOTICE

Visit [www.curtmfg.com](http://www.curtmfg.com) for a full-color copy of this instruction manual, as well as helpful videos, guides and much more!

Before you begin installation, read all instructions thoroughly.

Proper tools will improve the quality of installation and reduce the time required.

Periodic inspection of the trailer hitch should be performed to ensure all mounting hardware remains tight and structural components are secure.

To help prevent damage to the product or vehicle, refer to the specified torque specifications when securing hardware during the installation process.

## SAFETY INSTRUCTIONS

Safety glasses should be worn at all times while installing this product.

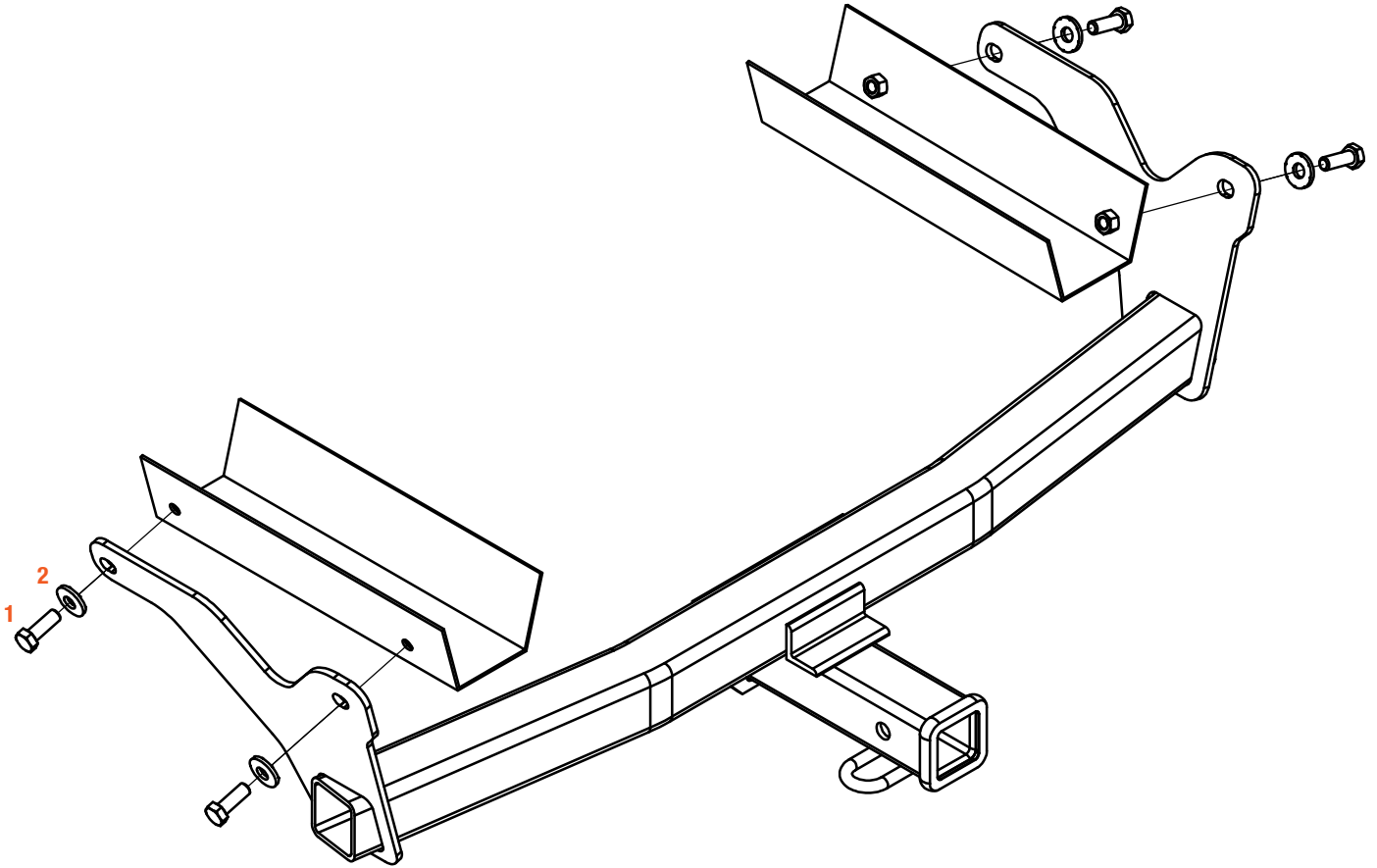
## Product Registration and Warranty

CURT stands behind our products with industry-leading warranties. To get copies of the product warranties, register your purchase or provide feedback, visit: [warranty.curtgroup.com/surveys](http://warranty.curtgroup.com/surveys)

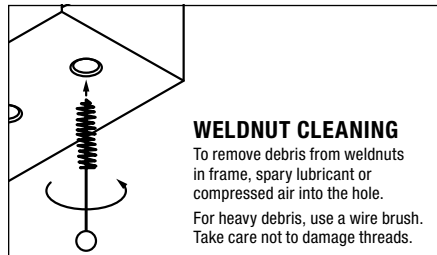
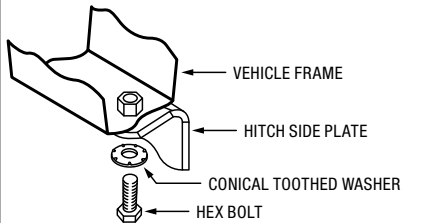
# ASSEMBLY

## Parts List

Item	Qty	Description
1	4	Hex bolt, M12
2	4	Conical-toothed washer, 1/2"



### CONICAL TOOTHED WASHER ORIENTATION

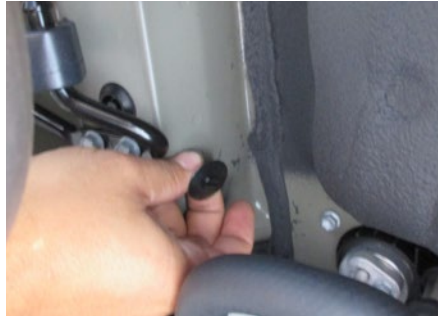


### WELDNUT CLEANING

To remove debris from weldnuts in frame, spray lubricant or compressed air into the hole. For heavy debris, use a wire brush. Take care not to damage threads.

### Step 1

Use a flathead screwdriver to remove the two plastic weldnuts plugs on the outer side of the frame rail on both sides of the vehicle. Return the plugs to the vehicle owner.



### Step 2

Raise the hitch into position and align the mounting holes with the weldnuts in the side of the vehicle frame.



### Step 3

Loosely install the supplied hex bolts (#1) and conical-toothed washers (#2).

Torque all hardware to 86 ft-lbs.



### Final Installed Image



### TOWING BASICS & SAFETY INFORMATION

For information on safely towing your trailer, visit [curtmfg.com/understanding-towing](https://www.curtmfg.com/understanding-towing).