

INSTALLATION MANUAL

13576

Level of Difficulty

Moderate

Installation difficulty levels are based on time and effort involved and may vary depending on the installer level of expertise, condition of the vehicle and proper tools and equipment.

Weight Carrying Capacity

Gross trailer weight (GTW)	8,000 lbs.
Tongue weight (TW)	800 lbs.

Weight Distribution Capacity

Weight distribution (WD)	10,000 lbs.
WD tongue weight (WDTW)	1,000 lbs.

Parts List

Item	Qty	Description
1	1	Trailer hitch
2	1	Carriage bolt, 7/16"
3	1	Serrated-flange nut, 7/16"

Tools Required

Ratchet	Socket, 21mm
Socket, 11/16"	Socket extension, 9"
Socket, 15mm	Torque wrench

* For a tools reference guide visit curtmfg.com/trailer-hitch-installation

⚠ WARNING

Never exceed the vehicle manufacturer's recommended towing capacity.

Product Photo



NOTICE

Visit www.curtmfg.com for a full-color copy of this instruction manual, as well as helpful videos, guides and much more!

Before you begin installation, read all instructions thoroughly.

Proper tools will improve the quality of installation and reduce the time required.

This installation requires:

- Temporarily lower spare tire
- Remove factory crossmember/hitch
- Clean weldnuts as needed

Periodic inspection of the trailer hitch should be performed to ensure all mounting hardware remains tight and structural components are secure.

To help prevent damage to the product or vehicle, refer to the specified torque specifications when securing hardware during the installation process.

SAFETY INSTRUCTIONS

Safety glasses should be worn at all times while installing this product.

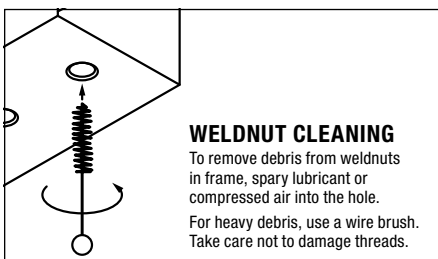
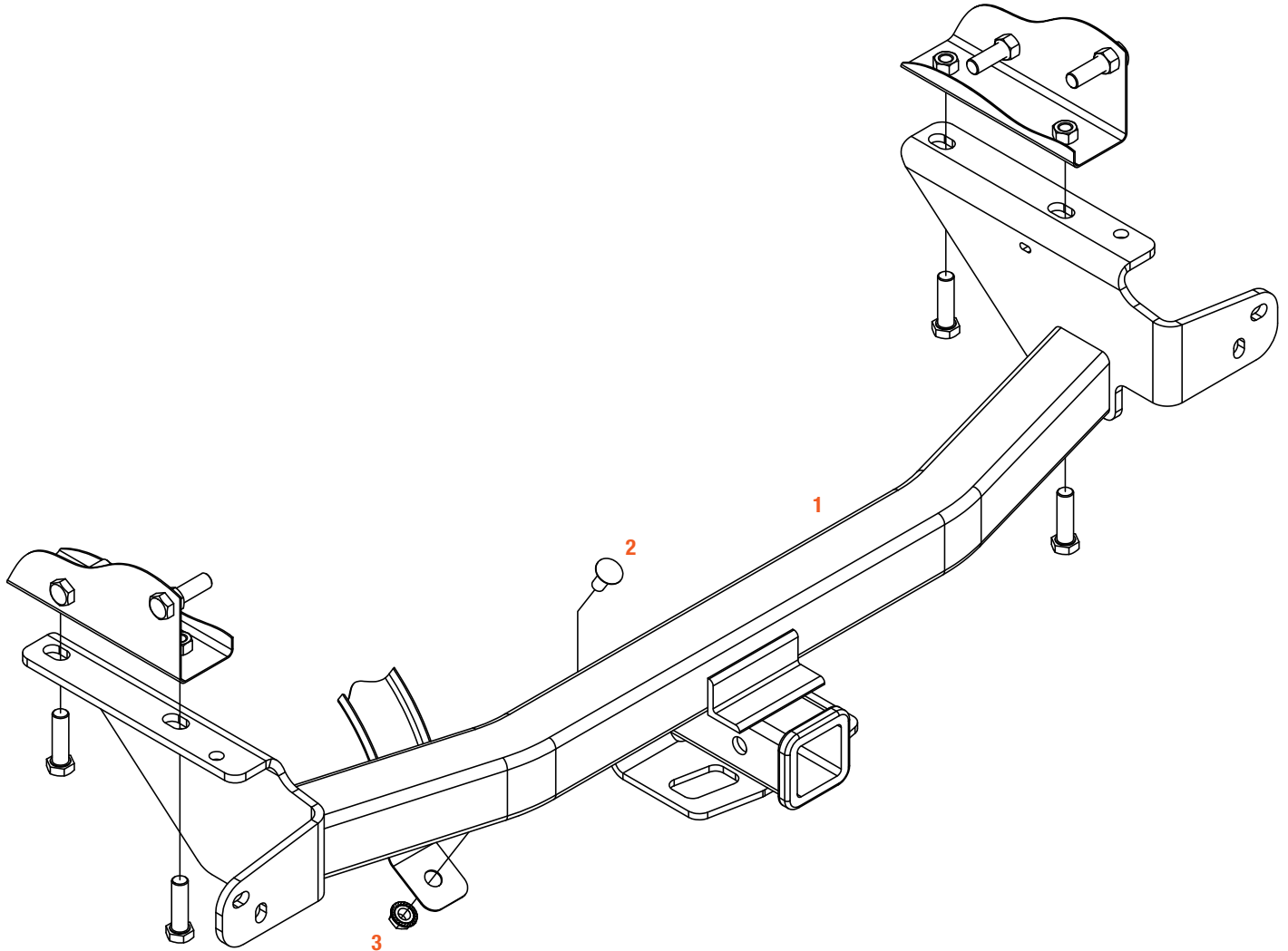
Product Registration and Warranty

CURT stands behind our products with industry-leading warranties. To get copies of the product warranties, register your purchase or provide feedback, visit: warranty.curtgroup.com/surveys

ASSEMBLY

Parts List

Item	Qty	Description
1	1	Trailer hitch
2	1	Carriage bolt, 7/16"
3	1	Serrated-flange nut, 7/16"



Step 1

Temporarily remove the spare tire using the vehicle service tools located in the cab of the truck. Loosen the spare tire support bracket by removing the bolt attached to the rear crossmember with a 15mm socket. Loosen the bolt on the other end of the spare tire support bracket and swivel out of the way.



Step 2

Disconnect the guide tube for the spare tire lowering system from the rear crossmember.

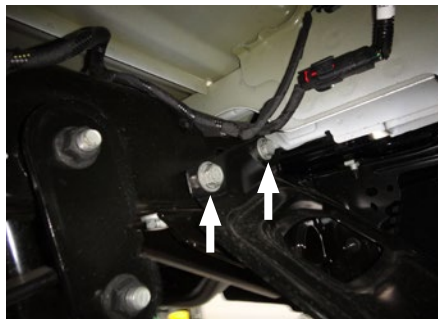
Disconnect all the electrical connectors going to the rear bumper (two electrical connectors near the driver-side frame rail and the fastener from the crossmember, USCAR plug, and the two connectors by the license plate).



Step 3

Remove the two bolts securing the crossmember and bumper to the outside of each frame rail. Carefully remove the two nuts securing the bumper to the crossmember at the rear of the vehicle.

Remove the bumper and set aside for reinstallation.



Step 4

Remove the four bolts from the bottom of the frame rail and remove the factory crossmember. Clean the weldnuts as needed with a wire brush.



Step 5

Raise the hitch into position and loosely secure with the four bolts removed in step 4.



Step 6

Reinstall the rear bumper and secure with the hardware removed in step 3.

Torque all M14 bolts to 126 ft-lbs.



Step 7

Reconnect all electrical connectors and guide tube removed in step 2. Connect the spare tire support bracket loosened in step 1 to the hitch with the included 7/16" hardware. Tighten the remaining bolt on the spare tire support bracket. Reinstall the spare tire.



Final Installed Image



TOWING BASICS & SAFETY INFORMATION

For information on safely towing your trailer, visit curtmfg.com/understanding-towing.