

# INSTALLATION MANUAL

13588

## Level of Difficulty

Moderate

Installation difficulty levels are based on time and effort involved and may vary depending on the installer level of expertise, condition of the vehicle and proper tools and equipment.

## Weight Carrying Capacity

Gross trailer weight (GTW)	1,500 lbs.
Tongue weight (TW)	150 lbs.

## Parts List

Item	Qty	Description
1	1	Trailer hitch
2	4	Hex bolt, M12
3	4	Conical-toothed washer, 1/2"

## Tools Required

Ratchet	Flathead screwdriver
Socket, 10mm	Rotary tool
Socket, 19mm	Tape
Socket extension, 3"	Tape measure
Torque wrench	--

\* For a tools reference guide visit [curtmfg.com/trailer-hitch-installation](http://curtmfg.com/trailer-hitch-installation)

## ⚠ WARNING

Never exceed the vehicle manufacturer's recommended towing capacity.

## Product Photo



## NOTICE

Visit [www.curtmfg.com](http://www.curtmfg.com) for a full-color copy of this instruction manual, as well as helpful videos, guides and much more!

Before you begin installation, read all instructions thoroughly.

Proper tools will improve the quality of installation and reduce the time required.

This installation requires:

- Bumper fascia trimming required
- Temporary underbody panel removal

Periodic inspection of the trailer hitch should be performed to ensure all mounting hardware remains tight and structural components are secure.

To help prevent damage to the product or vehicle, refer to the specified torque specifications when securing hardware during the installation process.

## SAFETY INSTRUCTIONS

Safety glasses should be worn at all times while installing this product.

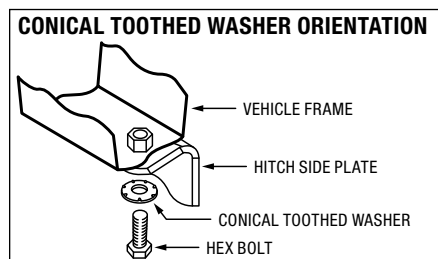
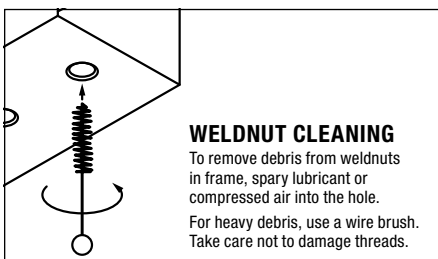
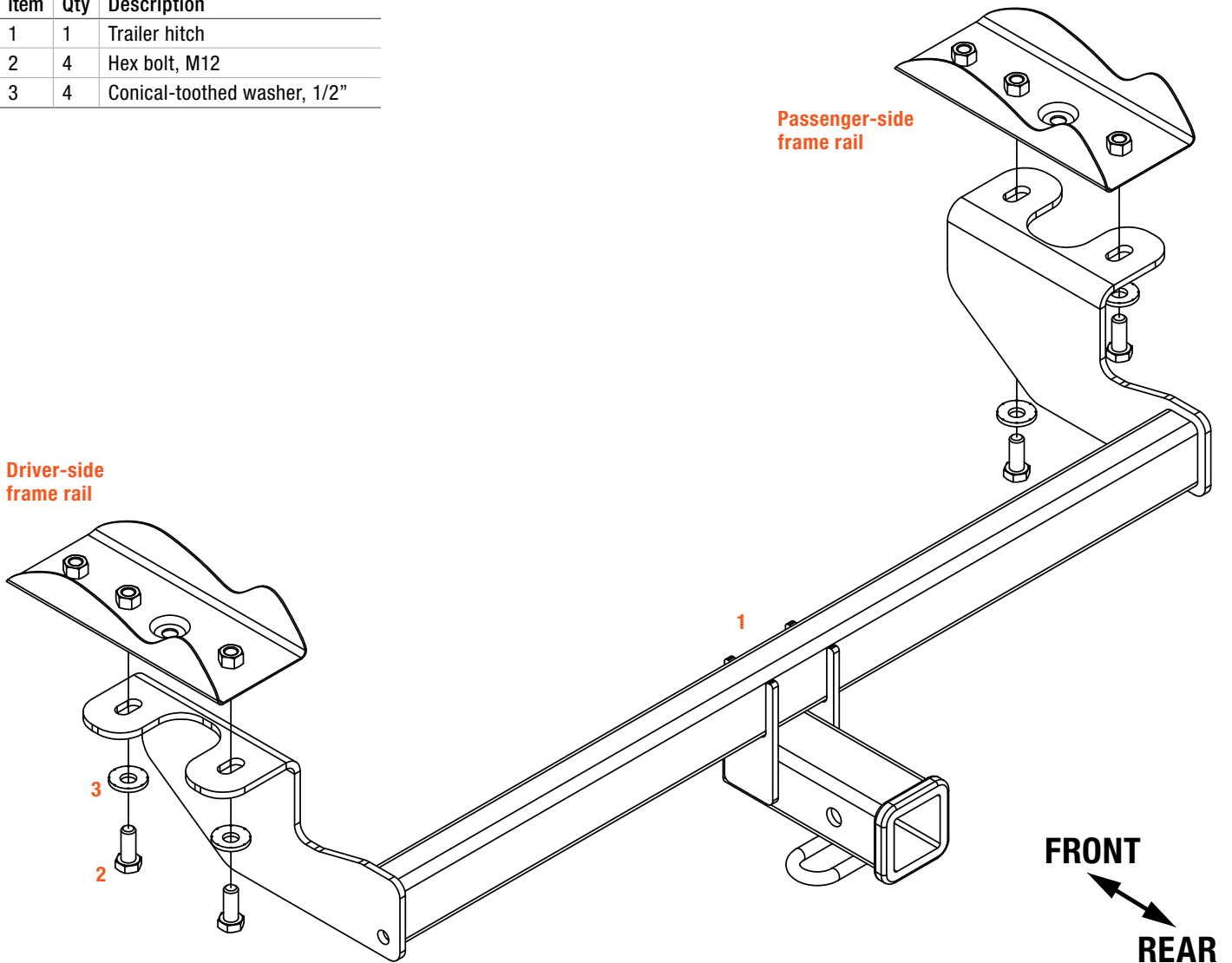
## Product Registration and Warranty

CURT stands behind our products with industry-leading warranties. To get copies of the product warranties, register your purchase or provide feedback, visit: [warranty.curtgroup.com/surveys](http://warranty.curtgroup.com/surveys)

# ASSEMBLY

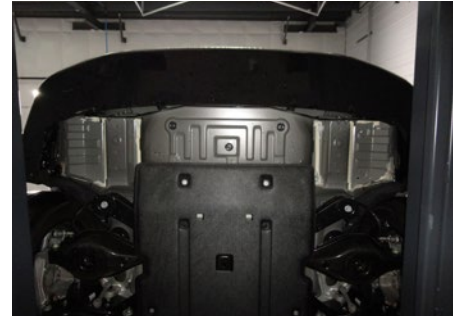
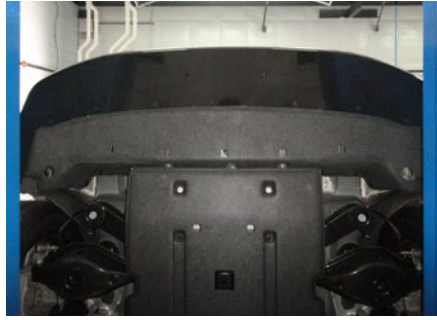
## Parts List

Item	Qty	Description
1	1	Trailer hitch
2	4	Hex bolt, M12
3	4	Conical-toothed washer, 1/2"



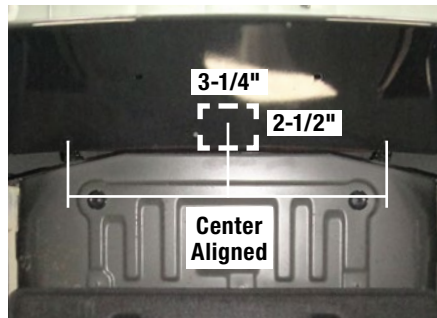
### Step 1

Remove the underbody panel from the rear of the vehicle by removing eleven push fasteners and three nuts using a 10mm socket with 3" extension.



### Step 2

Trim the bumper cover using the trim diagram for reference.



### Step 3

Raise the hitch into position, gently pulling down on the bumper cover to allow the hitch to slide into place and secure with M12 hardware. Torque M12 hardware to 86 ft-lbs.

Reinstall the underbody panel removed in step 1.



## TOWING BASICS & SAFETY INFORMATION

For information on safely towing your trailer, visit [curtmfg.com/understanding-towing](http://curtmfg.com/understanding-towing).