

INSTALLATION MANUAL

13615

Level of Difficulty

Easy

Installation difficulty levels are based on time and effort involved and may vary depending on the installer level of expertise, condition of the vehicle and proper tools and equipment.

Weight Carrying Capacity

Gross trailer weight (GTW)	4,500 lbs.
Tongue weight (TW)	675 lbs.

Weight Distribution Capacity

Weight distribution (WD)	4,500 lbs.
WD tongue weight (WDTW)	675 lbs.

Parts List

Item	Qty	Description
1	1	Trailer hitch
2	4	Hex bolt, M12 – 1.25 x 35mm
3	4	Conical-toothed washer, 1/2"

Tools Required

Ratchet	Torque wrench
Socket extension, 8"	Torque adapter, 19mm
Socket, 12mm	Socket, 17mm
Socket, 19mm	--

* For a tools reference guide visit curtmfg.com/trailer-hitch-installation

Product Registration and Warranty

CURT stands behind our products with industry-leading warranties. To get copies of the product warranties, register your purchase or provide feedback, visit: warranty.curtgroup.com/surveys

⚠ WARNING

Never exceed the vehicle manufacturer's recommended towing capacity.

Product Photo



NOTICE

Visit www.curtmfg.com for a full-color copy of this instruction manual, as well as helpful videos, guides and much more!

Before you begin installation, read all instructions thoroughly.

Proper tools will improve the quality of installation and reduce the time required.

This installation requires:

- Use of existing weldnuts
- No drilling required
- Removal of tie-down bracket

Periodic inspection of the trailer hitch should be performed to ensure all mounting hardware remains tight and structural components are secure.

To help prevent damage to the product or vehicle, refer to the specified torque specifications when securing hardware during the installation process.

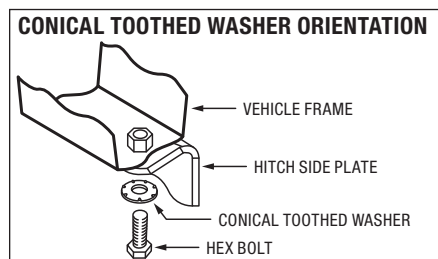
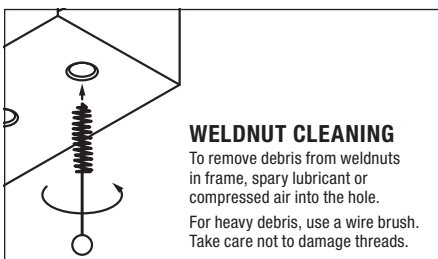
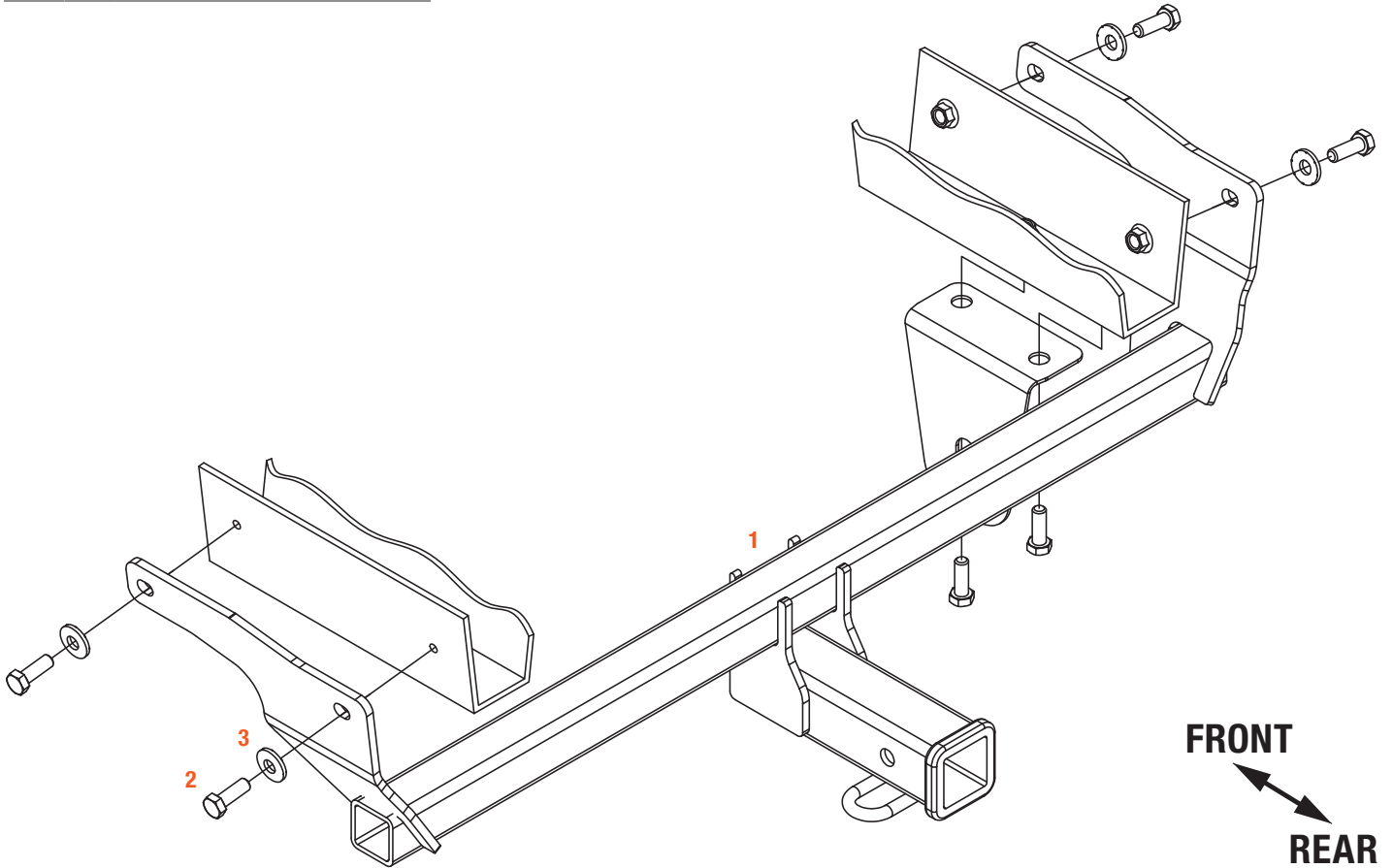
SAFETY INSTRUCTIONS

Safety glasses should be worn at all times while installing this product.

ASSEMBLY

Parts List

Item	Qty	Description
1	1	Trailer hitch
2	4	Hex bolt, M12 – 1.25 x 35mm
3	4	Conical-toothed washer, 1/2"



Step 1

Remove the stickers covering the existing weldnut holes on outside of the frame rails.



Step 2

If equipped, use a 12mm socket to remove the tie down bracket from the bottom passenger-side frame rail and return it to the vehicle owner.

Note: Lowering the exhaust may ease installation on some models. Be sure to support the exhaust to prevent damage to the vehicle.



Step 3

Raise the hitch (#1) into position and loosely secure it with the supplied M12 bolts (#2) and conical-toothed washers (#3).



Step 4

Torque the M12 hardware to 86 ft-lbs.

Note: If the heat shield contacts the hitch, bend the heat shield up to prevent rattling.



Final Installed Image



TOWING BASICS & SAFETY INFORMATION

For information on safely towing your trailer, visit curtmfg.com/understanding-towing.