

INSTALLATION MANUAL

19303

Level of Difficulty

Easy

Installation difficulty levels are based on time and effort involved and may vary depending on the installer level of expertise, condition of the vehicle and proper tools and equipment.

Parts List

Item	Qty	Description
1	4	Clamp assembly
2	2	Water caps
3	8	Torx head cap screw, M6 x 65mm
4	8	Torx head cap screw, M6 x 50mm
5	8	Washer, M6
6	2	Button head cap screw, M6 x 16mm
7	1	Torx wrench
8	1	Hex wrench

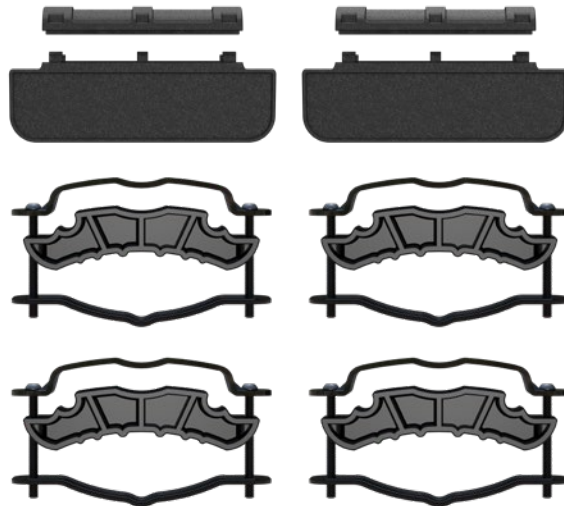
Tools Required

Allen wrench	--
--------------	----

WARNING

Never exceed the factory weight rating of the OEM roof rack, including the weight of the cargo carrier.

Product Photo



NOTICE

Visit www.curtmfg.com for a full-color copy of this instruction manual, as well as helpful videos, guides and much more!

Before you begin installation, read all instructions thoroughly.

Proper tools will improve the quality of installation and reduce the time required.

Periodic inspection of your product should be performed to ensure all hardware and / or components remain secure.

To help prevent damage to the product or vehicle, refer to the specified torque specifications when securing hardware during the installation process.

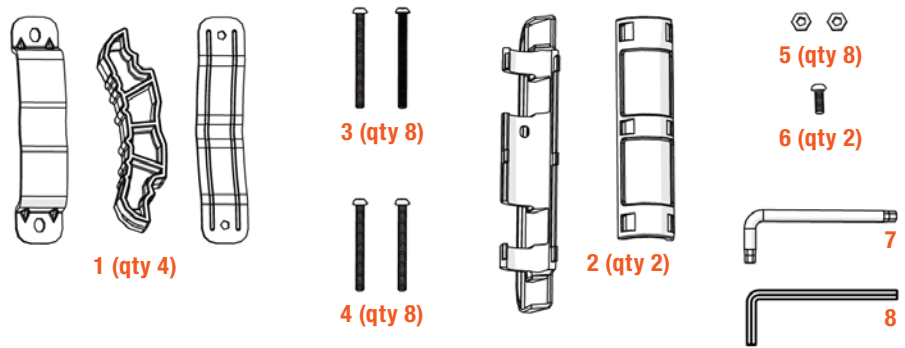
Product Registration and Warranty

CURT stands behind our products with industry-leading warranties. To get copies of the product warranties, register your purchase or provide feedback, visit: warranty.curtgroup.com/surveys

ASSEMBLY

Parts List

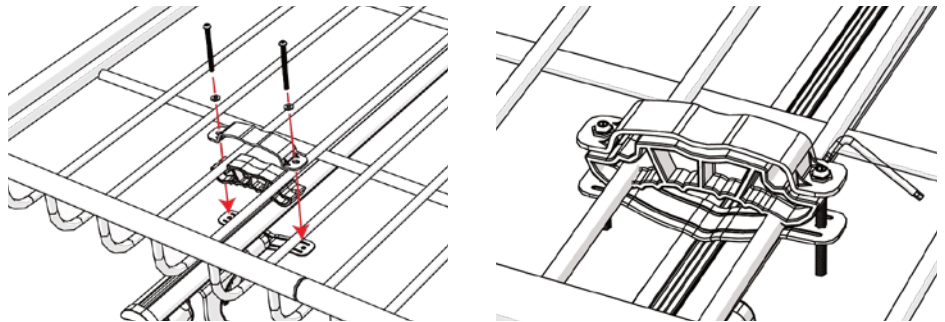
Item	Qty	Description
1	4	Clamp assembly
2	2	Water caps
3	8	Torx head cap screw, M6 x 65mm
4	8	Torx head cap screw, M6 x 50mm
5	8	Washer, M6
6	2	Button head cap screw, M6 x 16mm
7	1	Torx wrench
8	1	Hex wrench



Step 1 - Replacing the Brackets

Insert the saddle between the cargo basket and roof bar. Secure the basket, saddle and roof bar between the top and bottom bracket.

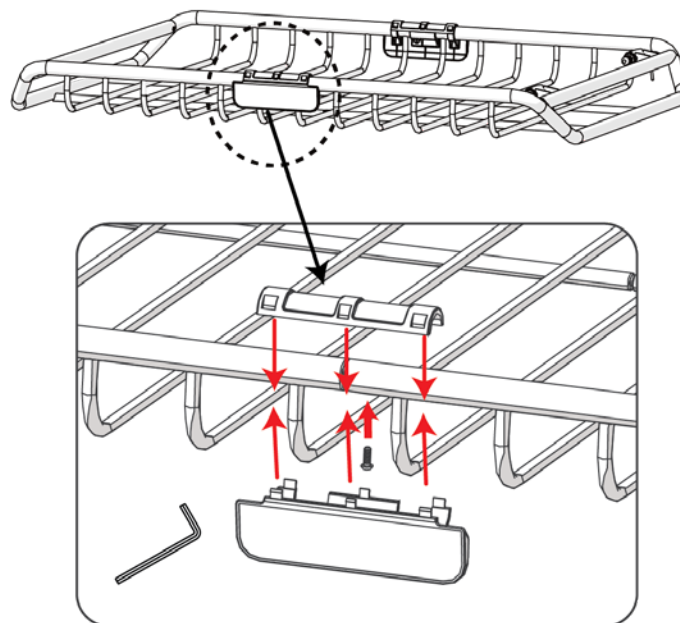
Use the appropriate screw length for your application and tighten.



Step 2 - Replacing the Waterproof Caps

Cover the tube joints with the caps and clip together. Be sure the flat surface face the outside of the basket.

Insert a M6 screw from below and tighten.



TOWING BASICS & SAFETY INFORMATION

For information on safely towing your trailer, visit curtmfg.com/understanding-towing.