

31014**99-03 FORD SUPER DUTY F-250 & F-350**

10/29/2020

WITH BLOCKER BEAM ONLY

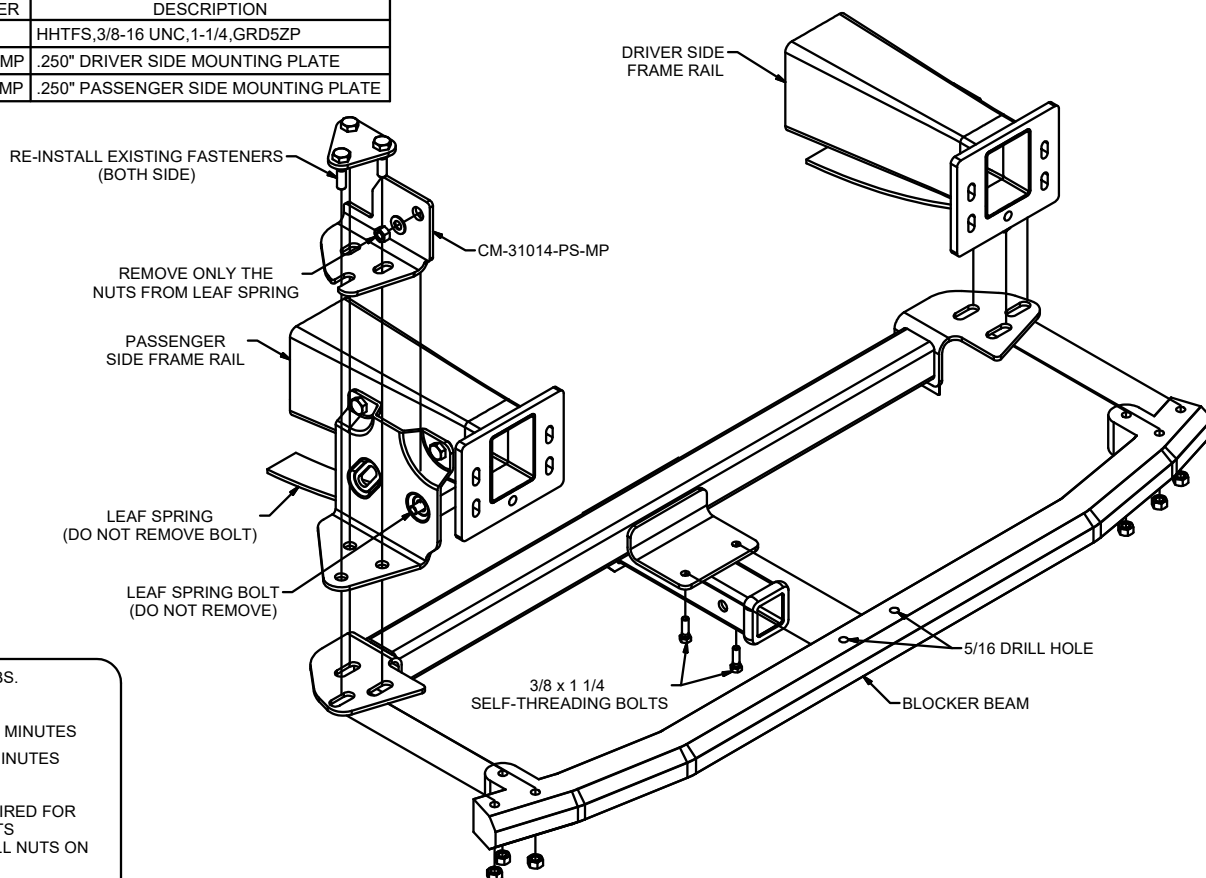
GROSS LOAD CAPACITY WHEN USED AS A WEIGHT CARRYING HITCH: 5,000 LBS. TRAILER WEIGHT & 500 LBS. TONGUE WEIGHT.

GROSS LOAD CAPACITY WHEN USED AS A STRAIGHT LINE PULL: 9,000 LBS. MAX. LINE PULL.

***** DO NOT EXCEED VEHICLE MANUFACTURER'S RECOMMENDED TOWING CAPACITY. *****

HAVING INSTALLATION QUESTIONS? CALL TECHNICAL SUPPORT AT 1-877-287-8634

Parts List			
ITEM	QTY	PART NUMBER	DESCRIPTION
1	2	10-10555	HHTFS,3/8-16 UNC,1-1/4,GRD5ZP
2	1	CM-31014-DSMP	.250" DRIVER SIDE MOUNTING PLATE
3	1	CM-31014-PSMP	.250" PASSENGER SIDE MOUNTING PLATE



HITCH WEIGHT: 40 LBS.

INSTALL TIME

PROFESSIONAL: 45 MINUTES

NOVICE (DIY): 90 MINUTES

INSTALL NOTES:

- PRE-DRILLING REQUIRED FOR SELF-TREADED BOLTS
- REMOVE / RE-INSTALL NUTS ON LEAF SPRING

INSTALLATION STEPS

- 1) Remove the blocker beam from the truck. This is the small sub-bumper behind the air dam. There are three fasteners located at each end of the beam. The air dam stays in place with no cutting required.
- 2) Remove the nuts only from the bolts that go through the front of the leaf springs. **WARNING: Do not remove or attempt to remove the bolts from their location. Doing so could allow the front of the vehicle to drop down suddenly!**
- 3) Install the upper brackets to the blocker beam brackets. **WARNING: Be sure to securely reinstall the nuts (at driver's and passenger's side into the bolts that go through the front of the leaf springs. Failing to do this could allow the bolts to come out and the front of the vehicle to drop down suddenly without warning.**
- 4) Position the receiver assembly around the blocker beam, then move into position adjusting side to side as needed to clear leaf springs and securely attach them to the blocker beam brackets.
- 5) On each side of the receiver tube there is a tab with a hole that lines up with the bottom of the blocker beam. Use the hole as a guide and drill 5/16" hole into the blocker beam. Turn the 3/8" self-threading bolt securely into each tab.
- 6) Torque all 3/8" fasteners to 45 ft-lb

PERIODICALLY CHECK THIS RECEIVER HITCH TO ENSURE THAT ALL FASTENERS ARE TIGHT AND THAT ALL STRUCTURAL COMPONENTS ARE SOUND.

Curt Manufacturing Inc., warrants this product to be free of defects in material and/or workmanship at the time of retail purchase by the original purchaser. If the product is found to be defective, Curt Manufacturing Inc., may repair or replace the product, at their option, when the product is returned, prepaid, with proof of purchase. Alteration to, misuse of, or improper installation of this product voids the warranty. Curt Manufacturing Inc.'s liability is limited to repair or replacement of products found to be defective, and specifically excludes liability for incidental or consequential loss or damage.

*****DO NOT EXCEED VEHICLE MANUFACTURER'S RECOMMENDED TOWING CAPACITY*****.

FRONT MOUNTED ACCESSORIES

1) Do not exceed front axle Gross Weight Rating (GAWR). Consult owners manual or specification plate located on driver's door frame. Measure gross front axle weight by placing front wheels of loaded vehicle on a scale.

WARNING: Exceeding GAWR may overload the front axle and/or suspension. This could result in **accident, property damage and personal injury.**

- 2) Reposition front mounted license plate if obstructed.
- 3) Do not obstruct vehicle lights.
- 4) Allow free air flow into grille opening.
- 5) Rear wheel traction may be reduced. This could effect handling. Reduce speed and drive with caution.
- 6) Accessories extend front of vehicle. This may reduce approach angle. Use caution when parking and maneuvering.
- 7) Do not obstruct driver view.

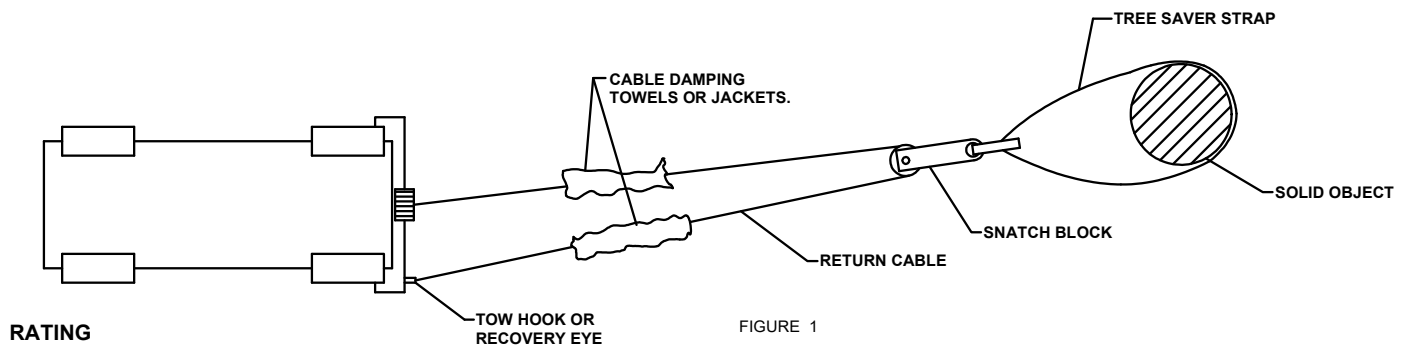
VEHICLE RECOVERY AND WINCHING TIPS

1) Use OEM tow hooks, recovery eyes or a clevis mount for attachment of a tow strap or winch cable.

WARNING: NEVER use a ball and/or ball mount as an anchor point for tow strap or winch cable. Severe personal injury or death could result.

- 2) Observe winch manufacturer's recommendations, cautions and warnings.
- 3) Attach return cable to tow hook or recovery eye when using a snatch block (See figure 1).

CAUTION: Do not attach return cable to winch mount. This may overload winch mount and/or front mounted receiver.



RATING

For **Maximum** line pull rating, winch cable must not exceed:

- 15 degree angle up or down from horizontal (See Figure 2).
- 45 degree angle left or right from straight ahead (See Figure 3).

CAUTION: Exceeding the maximum line pull rating may over load winch, winch mount, and/or front mounted receiver.

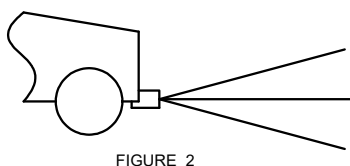


FIGURE 2

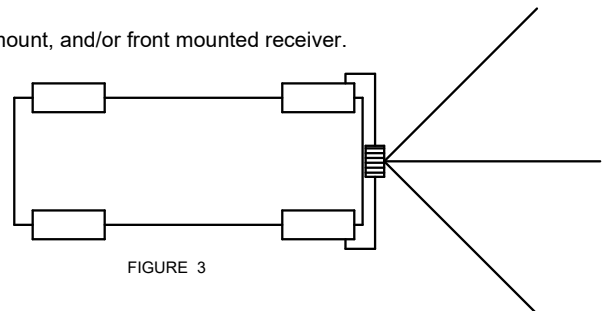


FIGURE 3