

YEARS: 2012-14

MAKE: HONDA

MODEL: PILOT

STYLE: SUV

**WARNING: NEVER EXCEED YOUR VEHICLE MANUFACTURER'S RECOMMENDED TOWING CAPACITY**








**WEIGHT CARRYING:**  
 TRAILER WEIGHT: 3,500 LBS.  
 TONGUE WEIGHT: 350 LBS.

**GROSS LOAD CAPACITY WHEN USED AS A STRAIGHT LINE PULL:  
 9,000 LBS MAX.**

**INSTALLATION TIME: 30 MIN.**

THE INSTALL TIME LISTED IS FOR PROFESSIONAL INSTALLERS. IF YOU ARE HESITANT TO UNDERTAKE THIS TASK ON YOUR OWN, CONTACT AN AUTHORIZED CURT INSTALLER FOR ADDITIONAL ASSISTANCE.



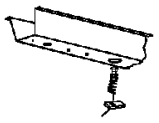
**INSTALLATION REQUIRES:**

 <b>RATCHET</b>	 <b>6" SOCKET EXTENSION</b>	 <b>TORQUE WRENCH</b>
 <b>10mm 17mm 19mm 3/4" SOCKET</b>	 <b>DIE GRINDER</b>	 <b>SCREW DRIVER</b>
 <b>SAFETY GLASSES</b>		

**INSTALLATION TIPS:**

- BEFORE YOU BEGIN INSTALLATION, READ ALL INSTRUCTIONS THOROUGHLY.
- TO EASE INSTALLATION, 2 PEOPLE MAY BE REQUIRED.
- USING PROPER TOOLS WILL GREATLY IMPROVE THE QUALITY OF THE INSTALL AND REDUCE THE TIME REQUIRED.
- NEED HELP OR HAVE SOME QUESTIONS? CALL TECHNICAL SUPPORT AT 877.287.8634

**LEVEL OF DIFFICULTY: MODERATE**

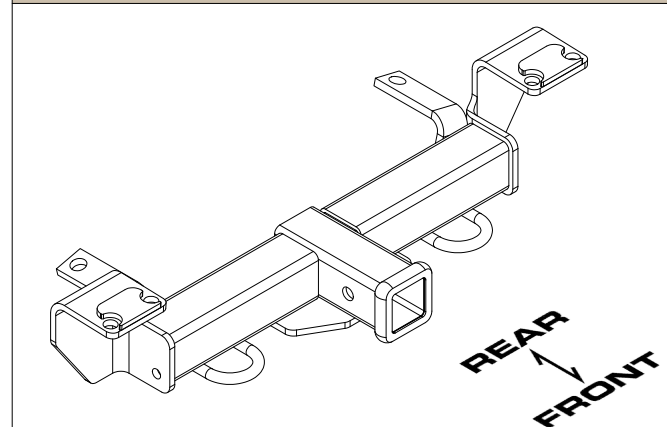
EASY	MODERATE	CHALLENGING
 PART REMOVAL	REMOVE LOWER FASIA	
	HOLE ENLARGEMENT	
	REVERSE FISHWIRE	

**VEHICLE PHOTO:**



REPRESENTATIVE PHOTO

**HITCH ILLUSTRATION:**



MAKE SURE YOUR HITCH MATCHES

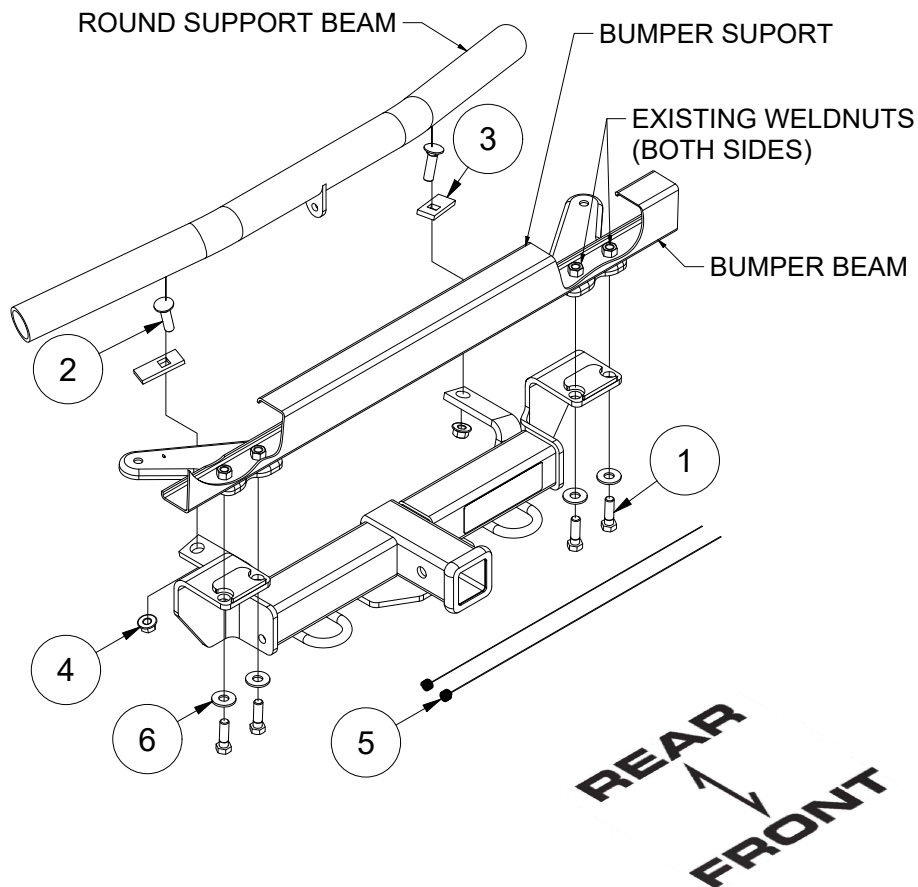
**PERIODICALLY CHECK THIS RECEIVER HITCH TO ENSURE ALL FASTENERS ARE TIGHT AND ALL STRUCTURAL COMPONENTS ARE SOUND**

CURT Manufacturing LLC. warrants this product to be free of defects in material and/or workmanship at the time of retail purchase by the original purchaser. If the product is found to be defective, Curt Manufacturing LLC. may repair or replace the product at their option, when the product is returned, prepaid, with proof of purchase. Alteration to, misuse of, or improper installation of this product voids the warranty. Curt Manufacturing LLC.'s liability is limited to repair or replacement of products found to be defective, and specifically excludes liability for incidental or consequential loss or damage.

For more information log onto [www.curtmfg.com](http://www.curtmfg.com), & for helpful towing tips log onto [www.hitchinfo.com](http://www.hitchinfo.com)

## INSTALLATION WALKTHROUGH:

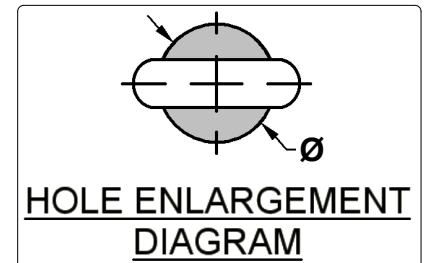
Parts List			
ITEM	QTY	PART NUMBER	DESCRIPTION
1	4	10-10277	HHCS,M12x1.25,40CL10.9,YZ
2	2	10-10272	BOLT,CAR,1/2-13 UNC,1-3/4,GRD8,YZ
3	2	CM-SP10	.250 x 1.00 x 2.50" SQUARE HOLE SPACER
4	2	20-00062	NUT, SER-FLANGE,1/2-13 UNC,GRD8,YZ
5	2	1_2 FISHWIRE	1/2" FISHWIRE
6	4	30-00149	WASHER,S-CON,1/2,YZ



1. Remove lower plastic fascia from vehicle.  
(Remove all push button fasteners with screw driver) Return fascia and fasteners to customer.



2. Enlarge holes in the round support beam large enough to insert 1/2" hardware and spacer.



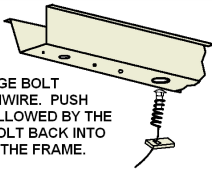


## INSTALLATION WALKTHROUGH:

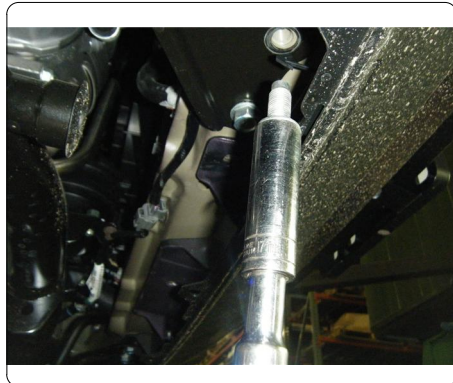
3. Reverse fishwire 1/2" bolts and spacers through enlarged holes. **Note:** The square hole spacers MUST lie in support beam lengthwise so the bolts penetrate far enough through the hitch.

### REVERSE PULL FISHWIRE TECHNIQUE

ATTACH FISHWIRE TO CARRIAGE BOLT AND SLIDE SPACER ONTO FISHWIRE. PUSH THE BOLT THRU THE HOLE FOLLOWED BY THE SPACER (AS SHOWN). PULL BOLT BACK INTO POSITION, PROTRUDING FROM THE FRAME.



4. Remove the (4) existing 12mm fasteners holding the bumper supports to the bumper beam.



5. Raise hitch into position. Loosely install 12mm fasteners with conical toothed washers in front holes. Install flange nuts to 1/2" bolts finger tight.



6. Torque all 1/2" hardware to 110 lb-ft and then all 12mm hardware to 86 lb-ft. Hitch is now installed.



**\*\*\*DO NOT EXCEED VEHICLE MANUFACTURER'S RECOMMENDED TOWING CAPACITY \*\*\*.**

### FRONT MOUNTED ACCESSORIES

1) Do not exceed front axle Gross Weight Rating (GAWR). Consult owners manual or specification plate located on driver's door frame. Measure gross front axle weight by placing front wheels of loaded vehicle on a scale.

**WARNING:** Exceeding GAWR may overload the front axle and/or suspension. This could result in **accident, property damage and personal injury.**

2) Reposition front mounted license plate if obstructed.

3) Do not obstruct vehicle lights.

4) Allow free air flow into grille opening.

5) Rear wheel traction may be reduced. This could effect handling. Reduce speed and drive with caution.

6) Accessories extend front of vehicle. This may reduce approach angle. Use caution when parking and maneuvering.

7) Do not obstruct driver view.

### VEHICLE RECOVERY AND WINCHING TIPS

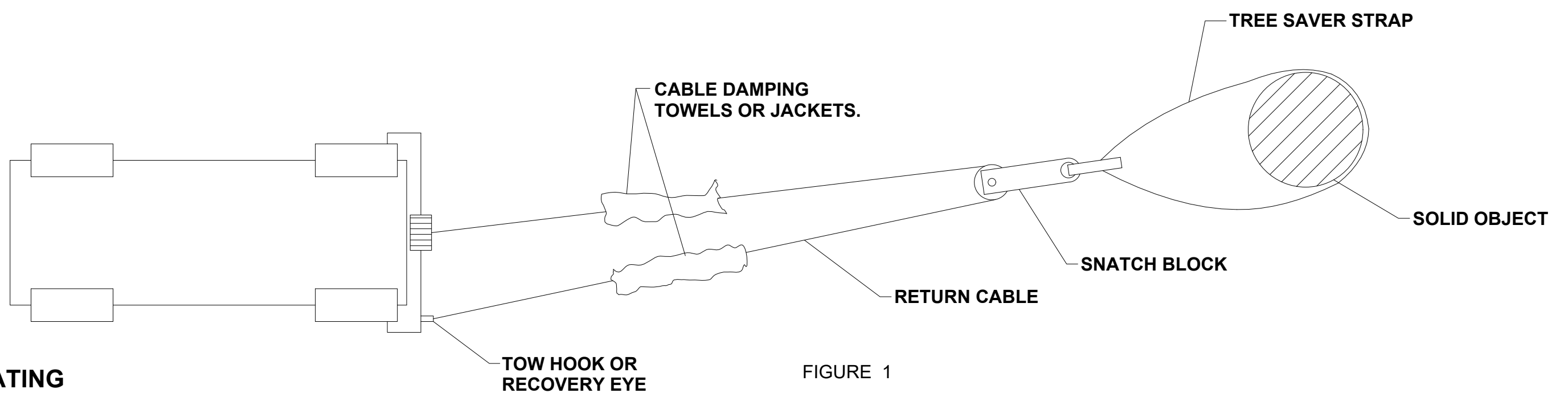
1) Use OEM tow hooks, recovery eyes or a clevis mount for attachment of a tow strap or winch cable.

**WARNING: NEVER** use a ball and/or ball mount as an anchor point for tow strap or winch cable. Severe personal injury or death could result.

2) Observe winch manufacturer's recommendations, cautions and warnings.

3) Attach return cable to tow hook or recovery eye when using a snatch block (See figure 1).

**CAUTION:** Do not attach return cable to winch mount. This may overload winch mount and/or front mounted receiver.

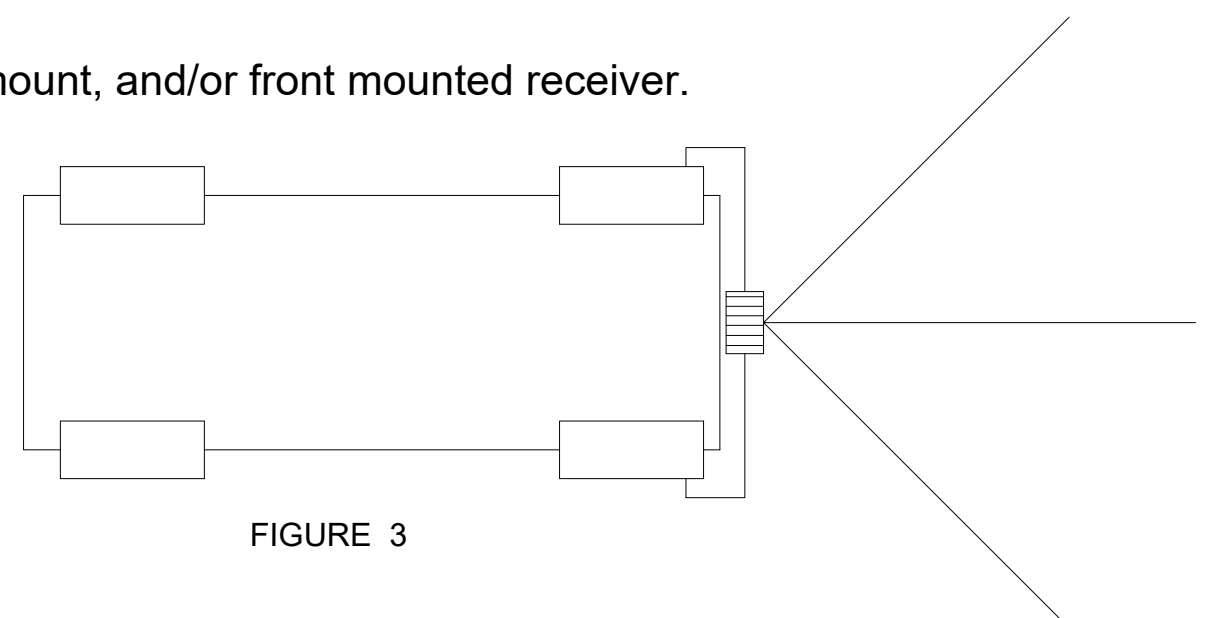
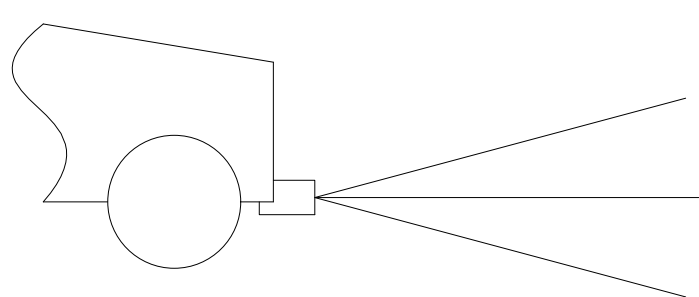


### RATING

For **Maximum** line pull rating, winch cable must not exceed:

- 15 degree angle up or down from horizontal (See Figure 2).
- 45 degree angle left or right from straight ahead (See Figure 3).

**CAUTION:** Exceeding the maximum line pull rating may over load winch, winch mount, and/or front mounted receiver.



**31064****HONDA PILOT**

1/26/2021

GROSS LOAD CAPACITY WHEN USED AS A WEIGHT CARRYING HITCH: 3,500 LBS. TRAILER WEIGHT &amp; 350 LBS. TONGUE WEIGHT.

GROSS LOAD CAPACITY WHEN USED AS A STRAIGHT LINE PULL: 9,000 LBS. MAX. LINE PULL.

**\*\*\* DO NOT EXCEED VEHICLE MANUFACTURER'S RECOMMENDED TOWING CAPACITY. \*\*\***

HAVING INSTALLATION QUESTIONS? CALL TECHNICAL SUPPORT AT 1-877-287-8634

**TOOLS REQUIRED**

RATCHET

6" EXTENSION

TORQUE WRENCH

SMALL SCREW DRIVER

10mm SOCKET

17mm SOCKET

19mm SOCKET

3/4" SOCKET

DIE GRINDER

## Parts List

ITEM	QTY	PART NUMBER	DESCRIPTION
1	4	10-10277	HHCS,M12x1.25,40CL10.9,YZ
2	2	10-10272	BOLT,CAR,1/2-13 UNC,1-3/4,GRD8,YZ
3	2	CM-SP10	.250 x 1.00 x 2.50" SQUARE HOLE SPACER
4	2	20-00062	NUT, SER-FLANGE,1/2-13 UNC,GRD8,YZ
5	2	1_2 FISHWIRE	1/2" FISHWIRE
6	4	30-00149	WASHER,S-CON,1/2,YZ

EXISTING WELDNUTS  
(BOTH SIDES)

ROUND SUPPORT BEAM

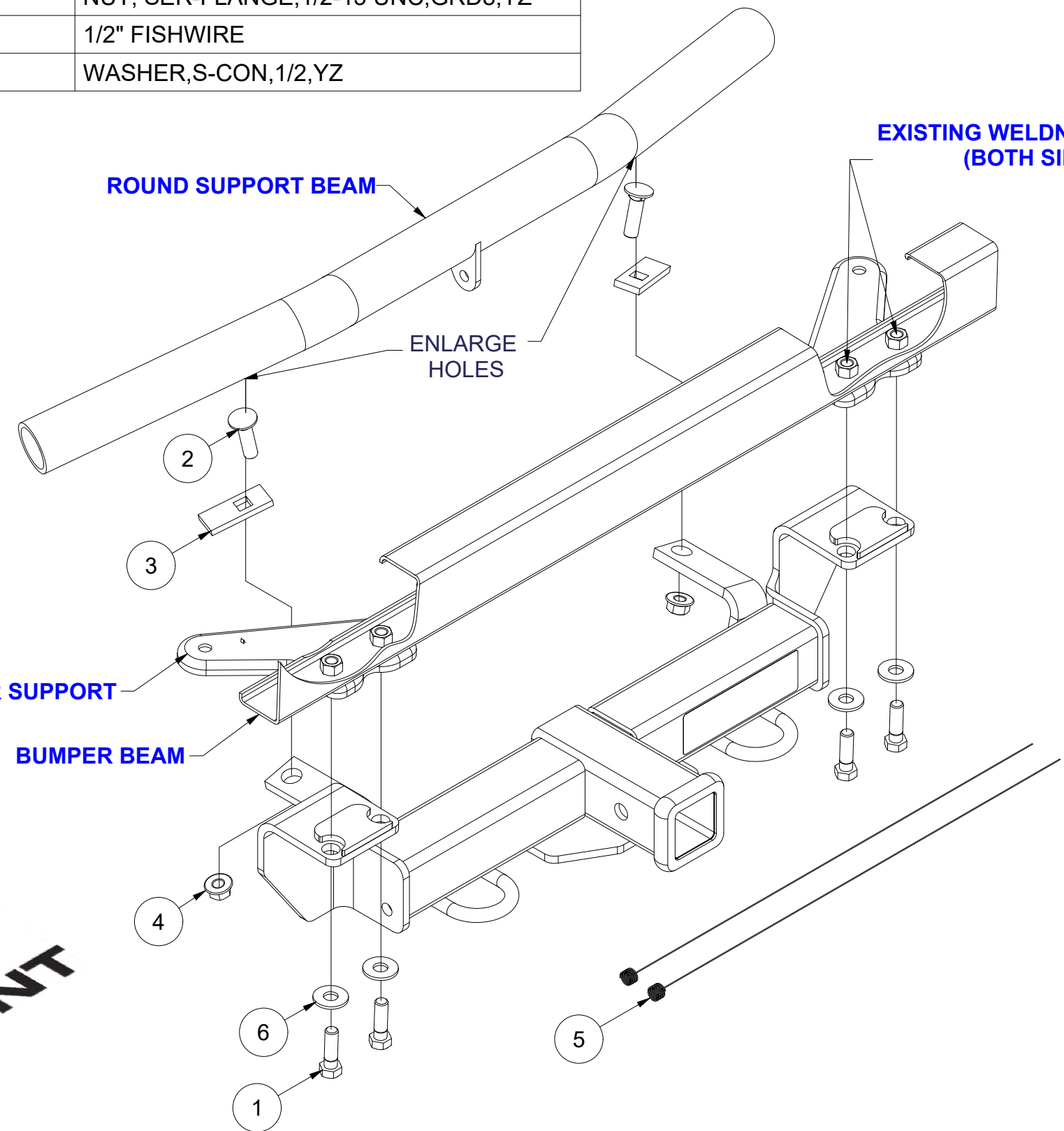
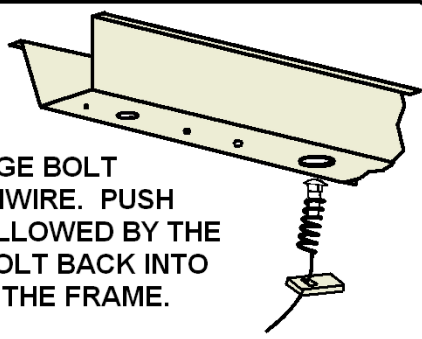
ENLARGE HOLES

BUMPER SUPPORT

BUMPER BEAM

REAR  
FRONT**REVERSE PULL FISHWIRE  
TECHNIQUE**

ATTACH FISHWIRE TO CARRIAGE BOLT AND SLIDE SPACER ONTO FISHWIRE. PUSH THE BOLT THRU THE HOLE FOLLOWED BY THE SPACER (AS SHOWN). PULL BOLT BACK INTO POSITION, PROTRUDING FROM THE FRAME.



HITCH WEIGHT: 27 LBS.

**INSTALL TIME**

PROFESSIONAL: 30 MINUTES

NOVICE (DIY): 60 MINUTES

**INSTALL NOTES:**

- REMOVE FASCIA
- HOLE ENLARGEMENT

**INSTALLATION STEPS**

1. Remove lower plastic fascia from vehicle. (Remove all push button fasteners with screw driver) Return fascia and fasteners to customer .
2. Enlarge holes in the round support beam large enough to insert 1/2" hardware and spacer.
3. Reverse fishwire 1/2" bolts and spacers through enlarged holes. **Note:** The square hole spacers MUST lie in support beam lengthwise so the bolts penetrate far enough through the hitch.
4. Remove the (4) existing 12mm fasteners holding the bumper supports to the bumper beam.
5. Raise hitch into position.
6. Loosely install 12mm fasteners with conical toothed washers in front holes.
7. Install flange nuts to 1/2" bolts finger tight.
8. Torque all 1/2" hardware to 110 lb-ft and then all 12mm hardware to 86 lb-ft.

**PERIODICALLY CHECK THIS RECEIVER HITCH TO ENSURE THAT ALL FASTENERS ARE TIGHT AND THAT ALL STRUCTURAL COMPONENTS ARE SOUND.**

Curt Manufacturing Inc., warrants this product to be free of defects in material and/or workmanship at the time of retail purchase by the original purchaser. If the product is found to be defective, Curt Manufacturing Inc., may repair or replace the product, at their option, when the product is returned, prepaid, with proof of purchase. Alteration to, misuse of, or improper installation of this product voids the warranty. Curt Manufacturing Inc.'s liability is limited to repair or replacement of products found to be defective, and specifically excludes liability for incidental or consequential loss or damage.



# HONDA PILOT

**\*\*\*DO NOT EXCEED VEHICLE MANUFACTURER'S RECOMMENDED TOWING CAPACITY \*\*\*.**

## FRONT MOUNTED ACCESSORIES

1) Do not exceed front axle Gross Weight Rating (GAWR). Consult owners manual or specification plate located on driver's door frame. Measure gross front axle weight by placing front wheels of loaded vehicle on a scale.

**WARNING:** Exceeding GAWR may overload the front axle and/or suspension. This could result in **accident, property damage and personal injury.**

2) Reposition front mounted license plate if obstructed.

3) Do not obstruct vehicle lights.

4) Allow free air flow into grille opening.

5) Rear wheel traction may be reduced. This could effect handling. Reduce speed and drive with caution.

6) Accessories extend front of vehicle. This may reduce approach angle. Use caution when parking and maneuvering.

7) Do not obstruct driver view.

## VEHICLE RECOVERY AND WINCHING TIPS

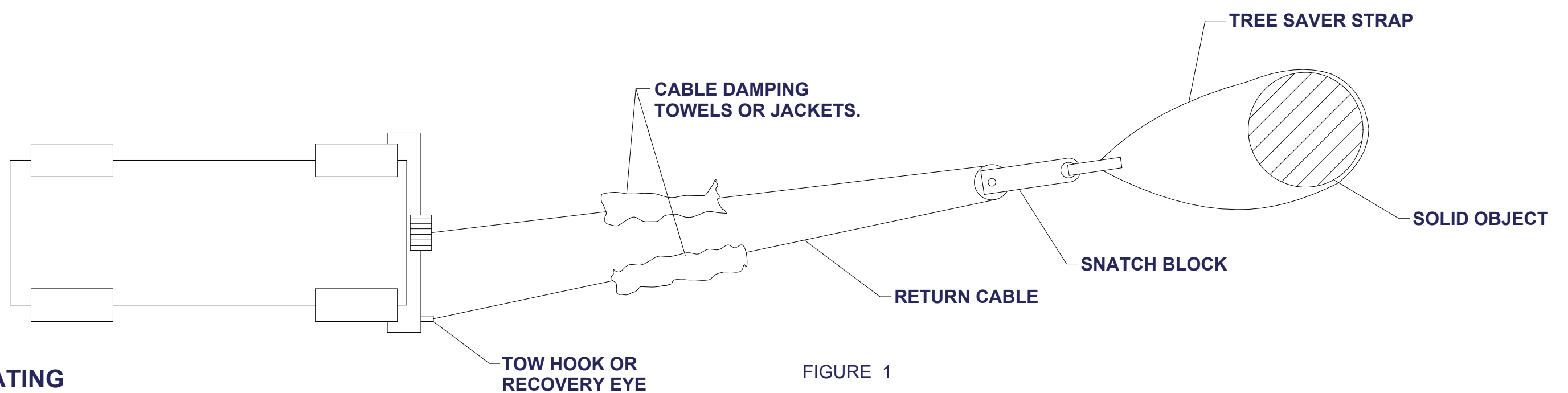
1) Use OEM tow hooks, recovery eyes or a clevis mount for attachment of a tow strap or winch cable.

**WARNING: NEVER** use a ball and/or ball mount as an anchor point for tow strap or winch cable. Severe personal injury or death could result.

2) Observe winch manufacturer's recommendations, cautions and warnings.

3) Attach return cable to tow hook or recovery eye when using a snatch block (See figure 1).

**CAUTION:** Do not attach return cable to winch mount. This may overload winch mount and/or front mounted receiver.



## RATING

For **Maximum** line pull rating, winch cable must not exceed:

- 15 degree angle up or down from horizontal (See Figure 2).
- 45 degree angle left or right from straight ahead (See Figure 3).

**CAUTION:** Exceeding the maximum line pull rating may over load winch, winch mount, and/or front mounted receiver.

