



Safety glasses should be worn at all times while installing this product.

YEARS: 2017-PRESENT

MAKE: KIA

MODEL: NIRO

STYLE: CUV

**WARNING: NEVER EXCEED YOUR VEHICLE MANUFACTURER'S RECOMMENDED TOWING CAPACITY**  
 For more information log onto [www.curtmfg.com](http://www.curtmfg.com) & for helpful towing tips log onto [www.hitchinfo.com](http://www.hitchinfo.com)

**WEIGHT CARRYING:**  
 TRAILER WEIGHT: 3500 LBS.  
 TONGUE WEIGHT: 350 LBS.

**PRO INSTALL TIME: 20 MIN.**  
**NOVICE INSTALL TIME: 45 MIN.**

IF YOU ARE HESITANT TO UNDERTAKE THIS TASK ON YOUR OWN, CONTACT AN AUTHORIZED CURT INSTALLER FOR ADDITIONAL ASSISTANCE.

**INSTALLATION REQUIRES:**

RATCHET	TORQUE WRENCH	6" SOCKET EXTENSION
12mm 16mm 11/16" SOCKET	MASKING TAPE	AVIATION SHEARS
SAFETY GLASSES		

**INSTALLATION TIPS:**

- BEFORE YOU BEGIN INSTALLATION, READ ALL INSTRUCTIONS THOROUGHLY.
- TO EASE INSTALLATION, 2 PEOPLE MAY BE REQUIRED.
- USING PROPER TOOLS WILL GREATLY IMPROVE THE QUALITY OF THE INSTALL AND REDUCE THE TIME REQUIRED.
- NEED HELP OR HAVE SOME QUESTIONS? CALL TECHNICAL SUPPORT AT 800.798.0813

**LEVEL OF DIFFICULTY: MODERATE**

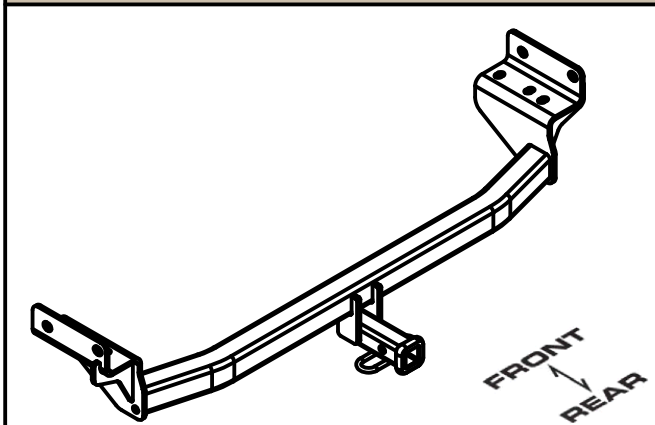
EASY	MODERATE	CHALLENGING
	NO DRILLING REQUIRED	
	LOWER EXHAUST	
	REVERSE FISHWIRE HARDWARE REQUIRED	
	REMOVE METAL GUARD TEMPORARILY REMOVE PLASTIC PANEL	
	TRIM PLASTIC PANEL REQUIRED	

**VEHICLE PHOTO:**



REPRESENTATIVE PHOTO

**HITCH ILLUSTRATION:**



MAKE SURE YOUR HITCH MATCHES



SCAN FOR MORE INFO

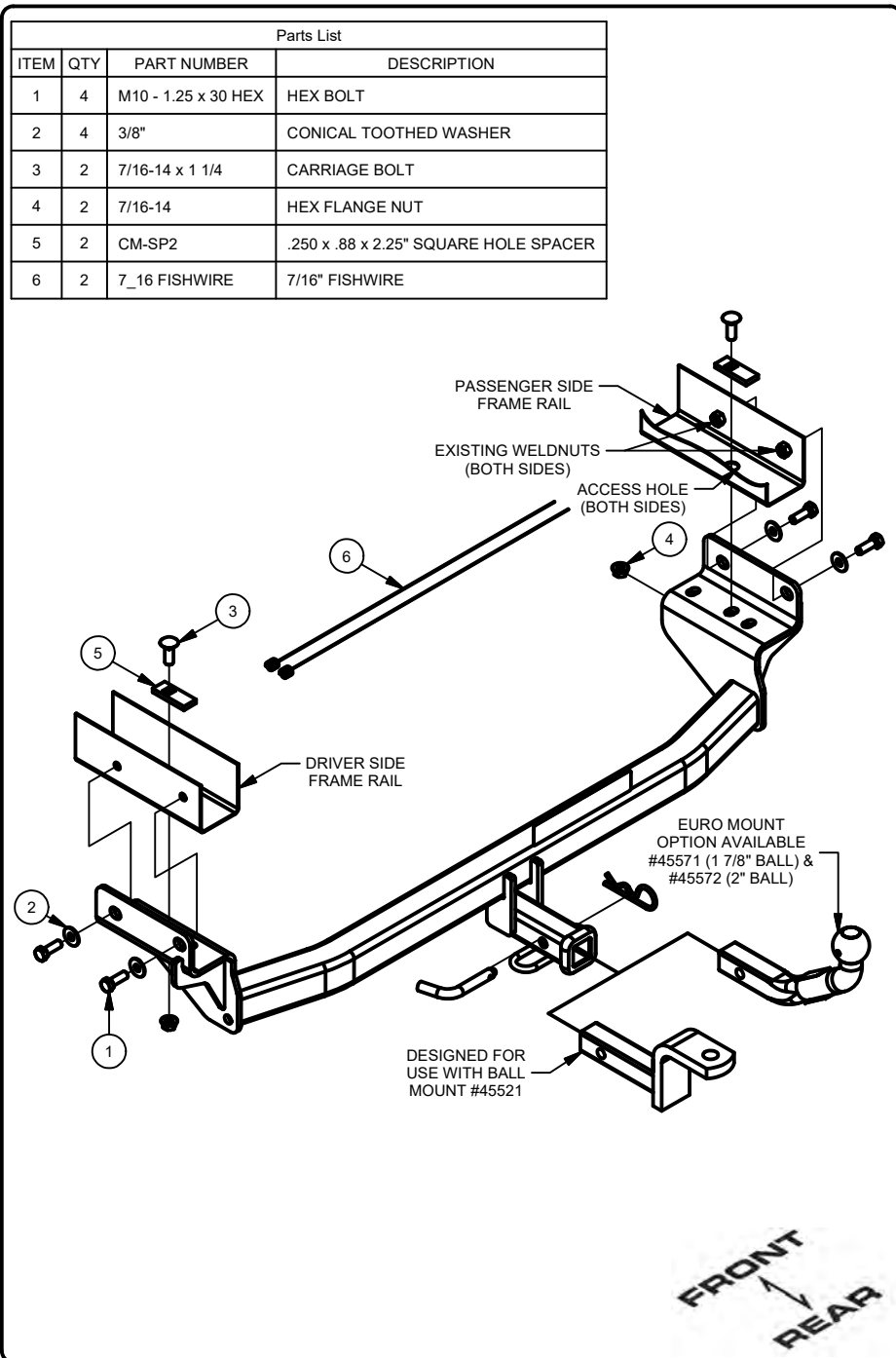
**PERIODICALLY CHECK THIS RECEIVER HITCH TO ENSURE ALL FASTENERS ARE TIGHT AND ALL STRUCTURAL COMPONENTS ARE SOUND**

CURT Manufacturing LLC. warrants this product to be free of defects in material and/or workmanship at the time of retail purchase by the original purchaser. If the product is found to be defective, CURT Manufacturing LLC. may repair or replace the product at their option, when the product is returned, prepaid, with proof of purchase. Alteration to, misuse of, or improper installation of this product voids the warranty. CURT Manufacturing LLC.'s liability is limited to repair or replacement of products found to be defective, and specifically excludes liability for incidental or consequential loss or damage.

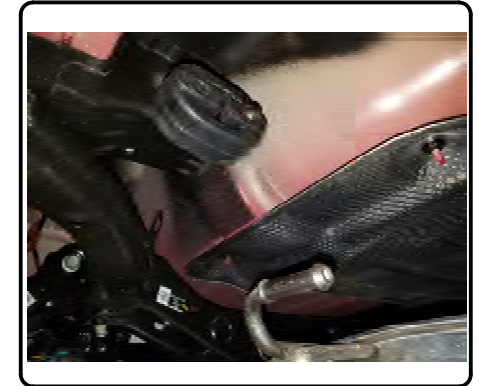
For more information log onto [www.curtmfg.com](http://www.curtmfg.com)

This product complies with safety specifications and requirements for connecting devices and towing systems of the state of New York, V.E.S.C.Regulation V-5 and SAE J684.

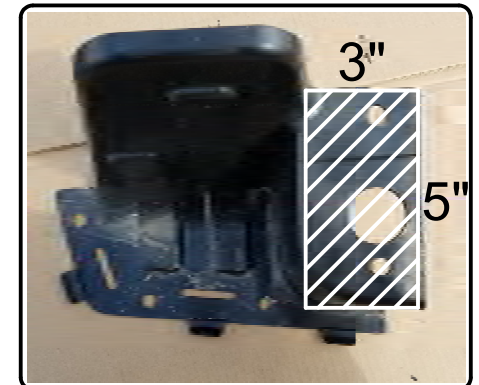
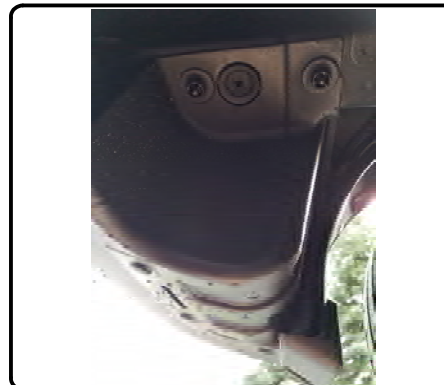
## INSTALLATION WALKTHROUGH:



1. Remove (4) bolts securing the metal exhaust guard using a 12mm socket as shown, return to customer. Lower exhaust by removing (3) rubber exhaust isolators, (1) on the driver side, (1) on the passenger side, and (1) in the center of the vehicle.

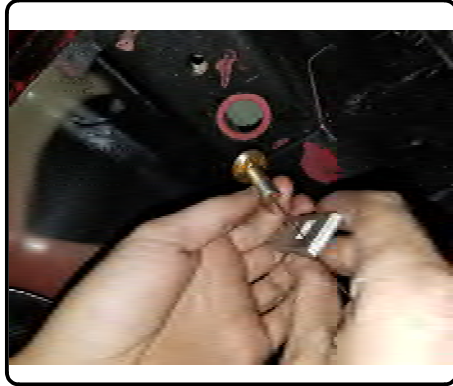
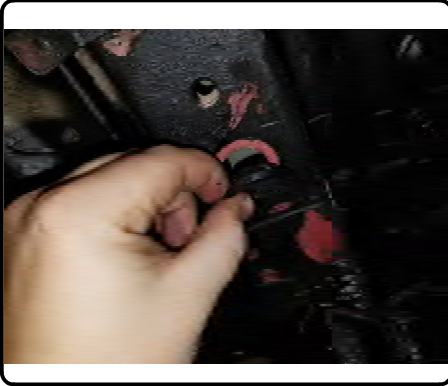


2. Remove (3) plastic push pins and (2) plastic nuts securing the plastic panel using a screwdriver and a 14mm socket. Mark out a 3" x 5" section using masking tape and trim using aviation shears. Confirm trim prior to reinstallation.

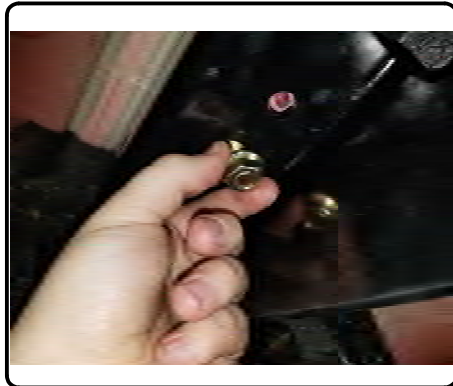
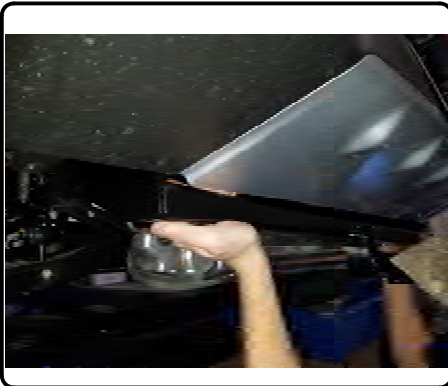


## INSTALLATION WALKTHROUGH:

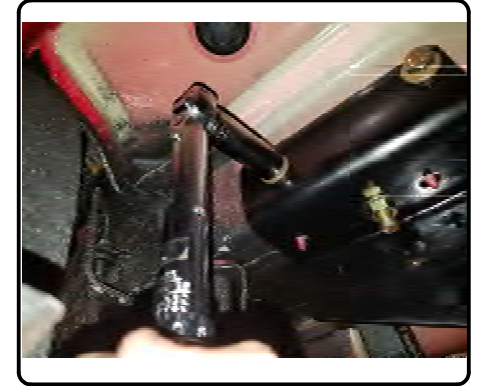
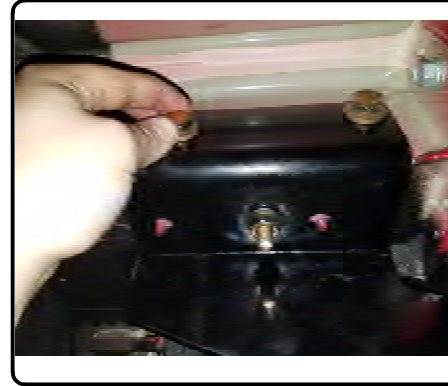
3. Remove (1) rubber plug from each side of the frame rail to reveal access hole and reverse fishwire (2) 7/16" carriage bolts and (2) CM-SP2 spacers, (1) on each side, through the access hole of the frame rail. (SEE REVERSE FISHWIRE DIAGRAM)



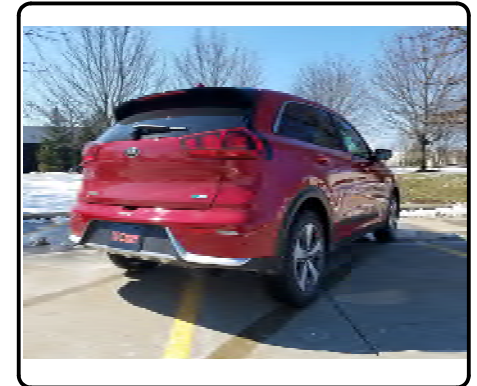
4. Raise hitch into position and feed fishwires through center hole on the hitch. Remove fishwires and loosely secure with 7/16" hex flange nuts.



5. Install (4) M10-1.25 hex bolts and (4) conical tooth washers, (2) on each side of the hitch.



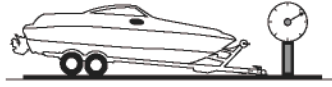
6. Torque all M10 hardware to 45 ft-lbs. and all 7/16" hardware to 59 ft-lbs. Reinstall following steps 1 and 2 in reverse order.



## TOWING SAFETY INFORMATION

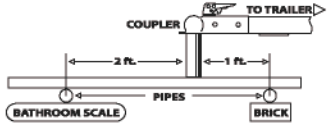
### Gross Trailer Weight / GTW

The Gross Trailer Weight is the weight of the trailer & cargo. Measure this by putting the fully loaded trailer on a vehicle scale.



### Tongue Weight / TW

The downward force that is exerted on the hitch ball by the coupler. The tongue weight will vary depending on where the load is positioned in relationship to the trailer axle(s). To measure the tongue weight, use either a commercial scale or a bathroom scale with the coupler at towing height. When using a bathroom scale with heavier tongue weights, use the method shown and multiply the scale reading by 3.



### Weight Carrying / WC

The total weight of both the trailer and the cargo inside. Never exceed the weight capacity of your trailer hitch.

### Weight Distribution / WD

Used to balance the weight of the cargo between the front and rear wheels throughout the trailer, allowing for better steering, braking, and level riding.



### Sway Control

A device used to reduce the lateral movements of the trailer that are caused by the wind. This works in conjunction with a weight distribution hitch. Do not use this on a class 1 or 2 hitch, or with surge brakes.

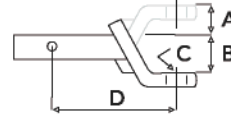
### How Much Can You Safely Tow?

TONGUE WEIGHT lbs	1000	2000	3000	4000	5000	6000	7000	8000	10,000	12,000
Tongue weight should be about 10 to 15 percent of the gross trailer weight.										
CLASS 1										
CLASS 2										
CLASS 3										
CLASS 4										
CLASS 5										
TRAILER TYPE										
<b>Camper</b>	11'	12'	13'	14'	15'	16'				
lbs	1100	1200	1300	1400	1500	1600				
<b>Vacation</b>	14'	16'	18'	20'	22'	24'	26'	28'	30'	32'
lbs	2100	2400	2700	3000	3300	3600	3900	4200	4500	4800
<b>Vacation</b>	14'	16'	18'	20'	22'	24'	26'	28'	30'	32'
lbs	2800	3200	3600	4000	4400	4800	5200	5600	6000	6400
<b>5th Wheel</b>										
<b>Refer to owner's manual for towing capabilities and limitations.</b>										

### Ball Mount

The ball mount is placed inside the opening of the receiver hitch which is mounted to the vehicle. Make sure a hitch pin and clip is properly securing the ball mount to the receiver hitch before you begin towing.

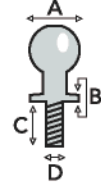
- A: Rise. B: Drop. C: Hole Size. D: Length.



### Trailer Ball

The connection from the hitch to the trailer. There are many factors that determine the correct hitch ball:

- Number one is the hitch ball's gross trailer weight rating.
- The mounting platform must be at least 3/8" thick.
- The hole diameter must not be more than 1/16" larger than the threaded shank.
- Every time you tow, check the nut and lock washer to make sure they are fastened securely.
- A: Ball Dia. B: Shank Dia. C: Shank Length. D: Shank Rise.



### Coupler

The component that is placed over the trailer ball to connect the vehicle to the trailer. Be sure that the coupler size matches the size of the hitch ball and that the coupler handle is securely fastened. To determine what size hitch ball you need for your application you will need to know the size of coupler that is on the trailer. Be sure your coupler is properly adjusted to the ball you are using.

NOTE: For added security the use of safety devices such as Coupler Safety Pins and Locks is strongly recommended.

### Safety Chains

Safety chains are a requirement and should be crossed under the tongue of the trailer so that the tongue will not drop to the road if it becomes separated from the hitch. Always leave enough slack so you can turn. Never allow the safety chains to drag on the ground and never attach the chains to the bumper.

Trailer Classification: Safety Chain Breaking Force - Minimum

Class 1: 2,000 lbs. (8.9 kN)

Class 2: 3,500 lbs. (15.6 kN)

Class 3: 5,000 lbs. (22.2 kN)

The strength rating of each length of safety chain or its equivalent and its attachments shall be equal to or exceed in minimum breaking force the GVWR (Gross Vehicle Weight Rating) of the trailer.

### Electrical

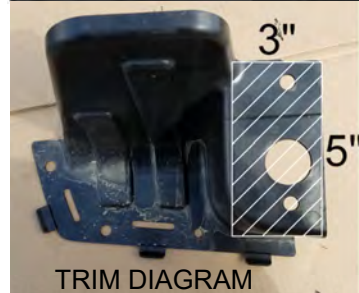
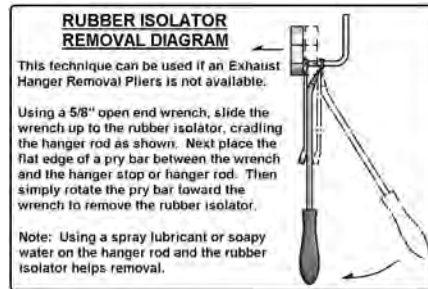
Trailer lights, Electric Brakes, Break-away systems - Every time you tow, be sure to check that all components are working properly.

Wiring identification by color:



**12171****KIA NIRO****7/11/2017****GROSS LOAD CAPACITY WHEN USED AS A WEIGHT CARRYING HITCH: 3,500 LBS. TRAILER WEIGHT & 350 LBS. TONGUE WEIGHT.****WARNING: \*\*\* DO NOT EXCEED VEHICLE MANUFACTURER'S RECOMMENDED TOWING CAPACITY \*\*\*****FOR MORE INFORMATION LOG ONTO WWW.CURTMFG.COM****HAVING INSTALLATION QUESTIONS? CALL TECHNICAL SUPPORT AT 1-800-798-0813**

		Parts List	
ITEM	QTY	PART NUMBER	DESCRIPTION
1	4	M10 - 1.25 x 30 HEX	HEX BOLT
2	4	3/8"	CONICAL TOOTHED WASHER
3	2	7/16-14 x 1 1/4	CARRIAGE BOLT
4	2	7/16-14	HEX FLANGE NUT
5	2	CM-SP2	.250 x .88 x 2.25" SQUARE HOLE SPACER
6	2	7_16 FISHWIRE	7/16" FISHWIRE



HITCH WEIGHT: 26 LBS.

**INSTALL TIME**

PROFESSIONAL: 20 MINUTES

NOVICE (DIY): 45 MINUTES

**INSTALL NOTES:**

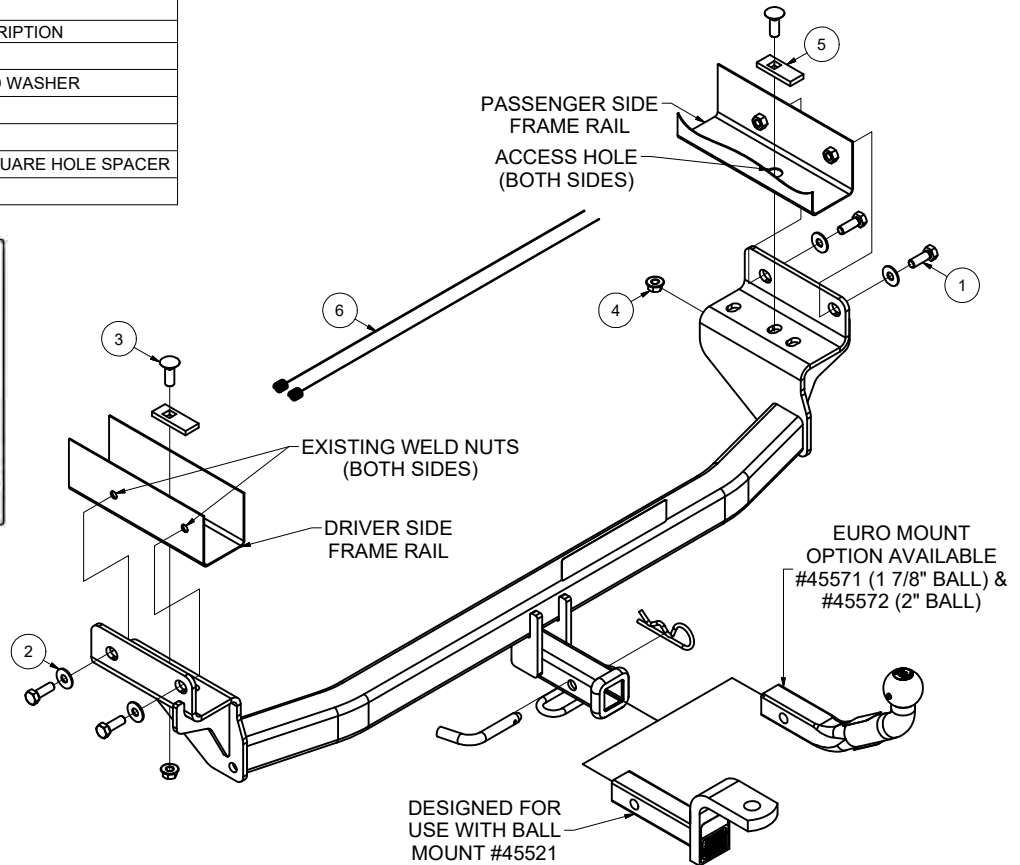
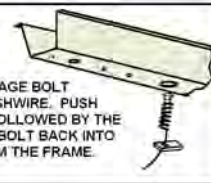
- NO DRILLING REQUIRED
- REVERSE FISHWIRE HARDWARE REQUIRED
- TEMPORARILY REMOVE PLASTIC PANEL/REMOVE METAL GUARD
- TRIMMING REQUIRED

**TOOLS REQUIRED**

RATCHET
TORQUE WRENCH
6" SOCKET EXTENSION
12mm, 16mm, 11/16" SOCKETS
MASKING TAPE
AVIATION SHEARS
SAFETY GLASSES

**REVERSE PULL FISHWIRE TECHNIQUE**

ATTACH FISHWIRE TO CARRIAGE BOLT AND SLIDE SPACER ONTO FISHWIRE. PUSH THE BOLT THRU THE HOLE FOLLOWED BY THE SPACER (AS SHOWN). PULL BOLT BACK INTO POSITION, PROTRUDING FROM THE FRAME.



EURO MOUNT OPTION AVAILABLE  
#45571 (1 7/8" BALL) &  
#45572 (2" BALL)

**INSTALLATION STEPS**

1. Remove (4) bolts securing the metal exhaust guard using a 12mm socket as shown, return to customer. Lower exhaust by removing (3) rubber exhaust isolators, (1) on the driver side, (1) on the passenger side, and (1) in the center of the vehicle.
2. Remove (3) plastic push pins and (2) plastic nuts securing the plastic panel using a screwdriver and a 14mm socket. Mark out a 3" x 5" section using masking tape and trim using aviation shears. Confirm trim prior to reinstallation.
3. Remove (1) rubber plug from each side of the frame rail to reveal access hole and reverse fishwire (2) 7/16" carriage bolts and (2) CM-SP2 spacers, (1) on each side, through the access hole of the frame rail.
4. Raise hitch into position and feed fishwires through center hole on the hitch. Remove fishwires and loosely secure with 7/16" hex flange nuts.  
(SEE REVERSE FISHWIRE DIAGRAM)
5. Install (4) M10-1.25 hex bolts and (4) conical tooth washers, (2) on each side of the hitch.
6. Torque all M10 hardware to 45 ft-lbs. and all 7/16" hardware to 59 ft-lbs. Reinstall following steps 1 and 2 in reverse order.

PERIODICALLY CHECK THIS RECEIVER HITCH TO ENSURE THAT ALL FASTENERS ARE TIGHT AND THAT ALL STRUCTURAL COMPONENTS ARE SOUND.



Scan for more information

CURT Manufacturing LLC., warrants this product to be free of defects in material and/or workmanship at the time of retail purchase by the original purchaser. If the product is found to be defective, CURT Manufacturing LLC., may repair or replace the product, at their option, when the product is returned, prepaid, with proof of purchase. Alteration to, misuse of, or improper installation of this product voids the warranty. CURT Manufacturing LLC.'s liability is limited to repair or replacement of products found to be defective, and specifically excludes liability for incidental or consequential loss or damage.

This product complies with safety specifications and requirements for connecting devices and towing systems of the state of New York, V.E.S.C.Regulation V-5 and SAE J684.