



YEARS: 2018-PRESENT

MAKE: FORD

MODEL: ECOSPORT

STYLE: CUV

WARNING: NEVER EXCEED YOUR VEHICLE MANUFACTURER'S RECOMMENDED TOWING CAPACITY
 For more information log onto www.curtmfg.com & for helpful towing tips log onto www.hitchinfo.com

WEIGHT CARRYING:
 TRAILER WEIGHT: 3,500 LBS.
 TONGUE WEIGHT: 350 LBS.

WARNING:
 ALL NON-TRAILER (WHEEL-LESS) LOADS APPLIED TO THIS PRODUCT MUST BE SUPPORTED BY 18050 STABILIZING STRAPS. PLEASE SEE THE CURT CATALOG OR VISIT US ONLINE AT WWW.CURTMFG.COM FOR FURTHER INFORMATION.

PRO INSTALL TIME: 20 MIN.
NOVICE INSTALL TIME: 45 MIN.

IF YOU ARE HESITANT TO UNDERTAKE THIS TASK ON YOUR OWN, CONTACT AN AUTHORIZED CURT INSTALLER FOR ADDITIONAL ASSISTANCE.

INSTALLATION REQUIRES:

RATCHET	6" SOCKET EXTENSION	TORQUE WRENCH
5.5mm 10mm 15mm 3/4" SOCKET	MASKING TAPE	AVIATION SHEARS
SAFETY GLASSES		

INSTALLATION TIPS:

- BEFORE YOU BEGIN INSTALLATION, READ ALL INSTRUCTIONS THOROUGHLY.
- TO EASE INSTALLATION, 2 PEOPLE MAY BE REQUIRED.
- USING PROPER TOOLS WILL GREATLY IMPROVE THE QUALITY OF THE INSTALL AND REDUCE THE TIME REQUIRED.
- NEED HELP OR HAVE SOME QUESTIONS? CALL TECHNICAL SUPPORT AT 800.798.0813

LEVEL OF DIFFICULTY: EASY

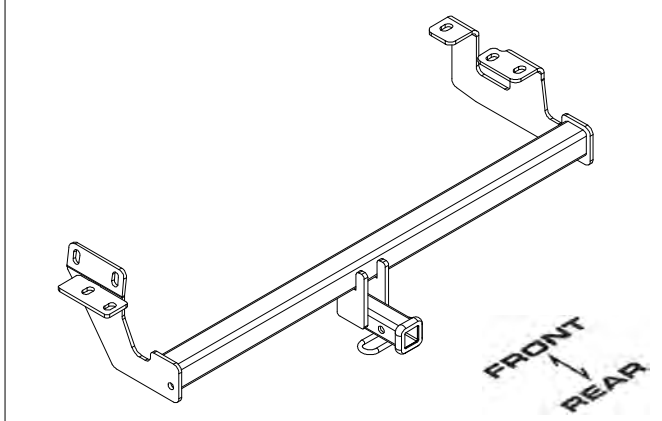
EASY	MODERATE	CHALLENGING
LOWER EXHAUST		
TRIM	TRIMMING OPTIONAL	
PART REMOVAL	TEMPORARY PART REMOVAL	

VEHICLE PHOTO:



REPRESENTATIVE PHOTO

HITCH ILLUSTRATION:



MAKE SURE YOUR HITCH MATCHES



SCAN FOR MORE INFO

PERIODICALLY CHECK THIS RECEIVER HITCH TO ENSURE ALL FASTENERS ARE TIGHT AND ALL STRUCTURAL COMPONENTS ARE SOUND

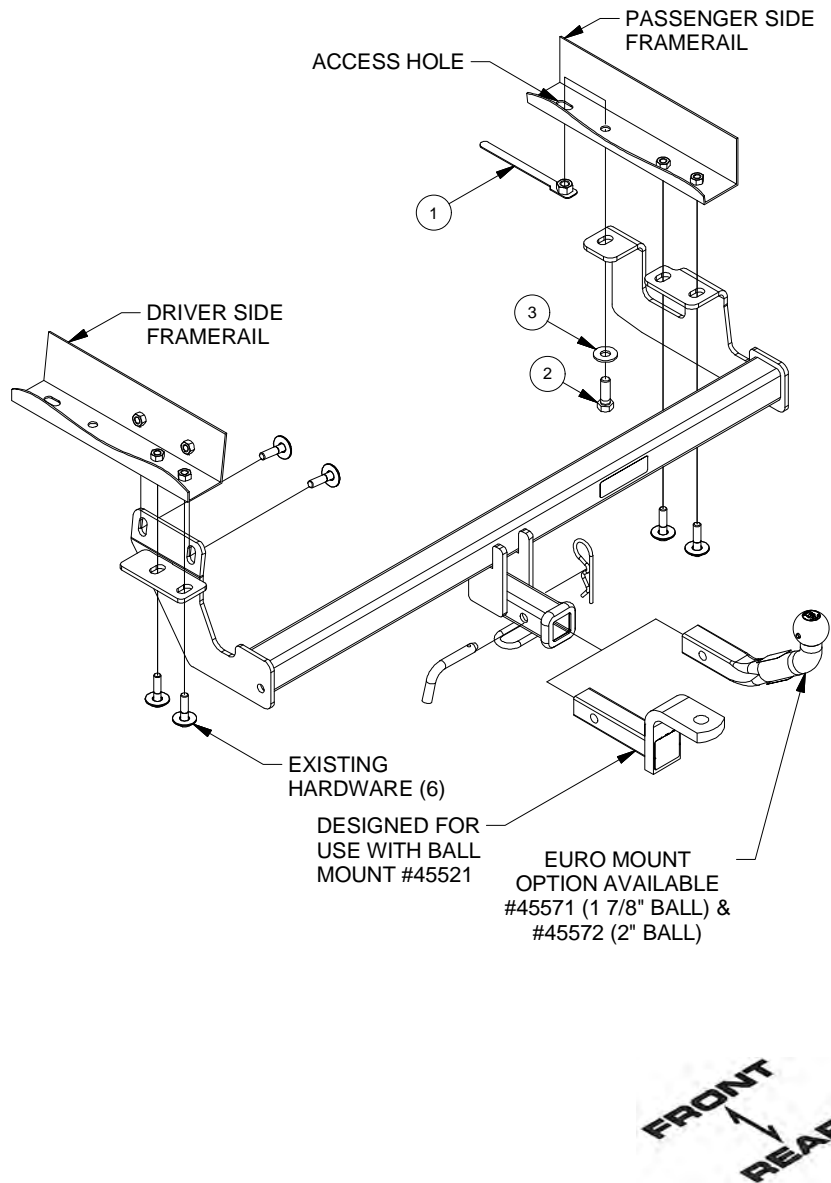
CURT Manufacturing LLC. warrants this product to be free of defects in material and/or workmanship at the time of retail purchase by the original purchaser. If the product is found to be defective, CURT Manufacturing LLC. may repair or replace the product at their option, when the product is returned, prepaid, with proof of purchase. Alteration to, misuse of, or improper installation of this product voids the warranty. CURT Manufacturing LLC.'s liability is limited to repair or replacement of products found to be defective, and specifically excludes liability for incidental or consequential loss or damage.

For more information log onto www.curtmfg.com

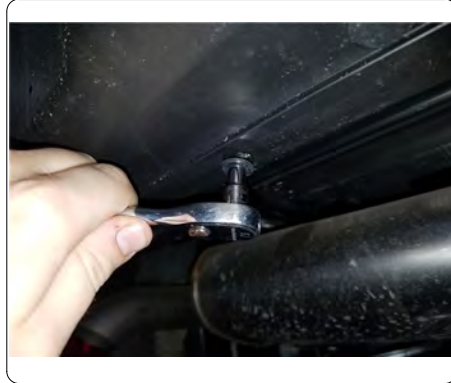
This product complies with safety specifications and requirements for connecting devices and towing systems of the state of New York, V.E.S.C.Regulation V-5 and SAE J684.

INSTALLATION WALKTHROUGH:

Parts List			
ITEM	QTY	PART NUMBER	DESCRIPTION
1	1	1/2-13	HANDLE NUT
2	1	1/2 - 13 x 1 1/2	HEX BOLT
3	1	1/2"	CONICAL TOOTHED WASHER



1. For 2.0 engine models, on the lower fascia panel, locate (10) screws and (2) nuts and remove using a 5.5mm and 10mm sockets. Remove lower fascia panel and set aside for later reinstallation.
NOTE: 1.0 engine models skip to Step 2.



2. Lower exhaust by removing (2) rubber exhaust isolators. Support the exhaust during installation to prevent damage.
 (See Rubber Isolator Removal Diagram)

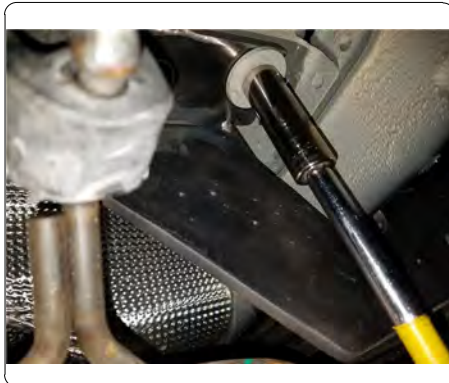
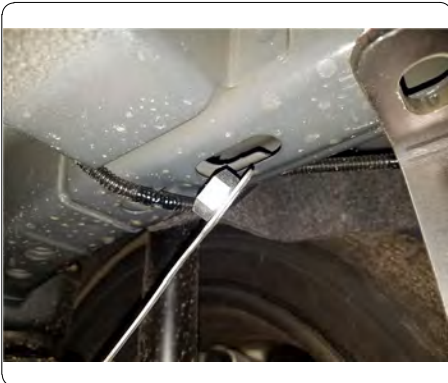


INSTALLATION WALKTHROUGH:

3. Remove (6) M10 bolts using a 15mm socket from the framerails, (4) on the Driver Side and (2) on the Passenger Side. Raise hitch into position and use the (6) removed bolts to attach hitch to vehicle.



4. Feed the 1/2" handle nut through the access hole to the forwardmost attachment for the passenger sideplate. Attach the 1/2" hex bolt and conical tooth washer. Torque all M10 hardware to 45 ft-lbs. and all 1/2" hardware to 110 ft-lbs.



For more information log onto www.curtmfg.com

5. For 2.0 Engine models, either don't reinstall the lower fascia panel or trim panel to fit around hitch. To trim, mark out the (3) sections using masking tape and trim using aviation shears. All dimensions are approximate. Confirm fit prior to installation.



Additional Trim Diagram



GROSS LOAD CAPACITY WHEN USED AS A WEIGHT CARRYING HITCH: 3,500 LBS. TRAILER WEIGHT & 350 LBS. TONGUE WEIGHT.

WARNING: ALL NON-TRAILER (WHEEL-LESS) LOADS APPLIED TO THIS PRODUCT MUST BE SUPPORTED BY 18050 STABILIZING STRAPS.

WARNING: ** FAILURE TO PROPERLY SUPPORT NON-TRAILER LOADS WILL VOID PRODUCT WARRANTY **

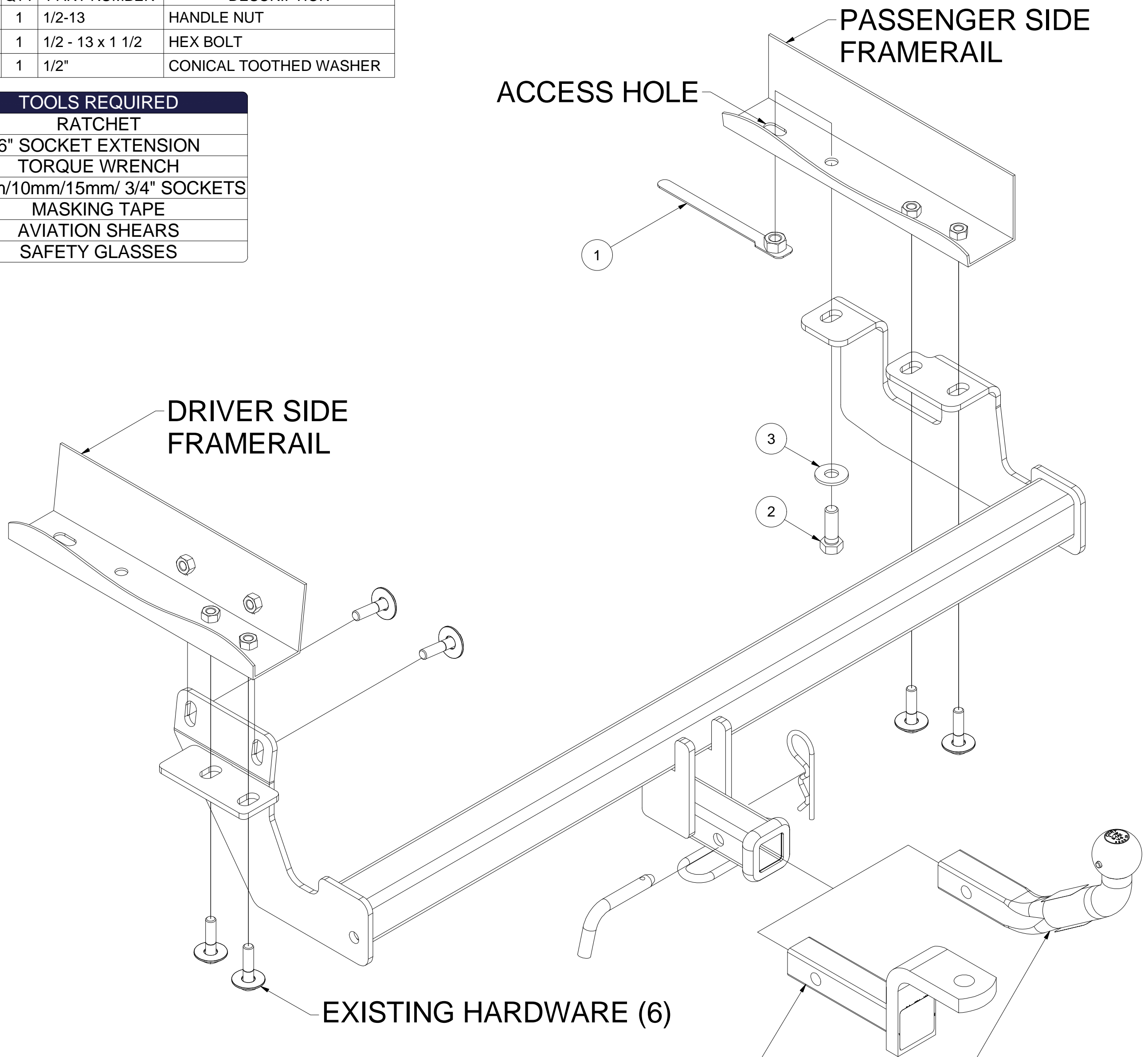
WARNING: *** DO NOT EXCEED VEHICLE MANUFACTURER'S RECOMMENDED TOWING CAPACITY ***



FOR MORE INFORMATION LOG ONTO WWW.CURTMFG.COM
HAVING INSTALLATION QUESTIONS? CALL TECHNICAL SUPPORT AT 1-800-798-0813

Parts List			
ITEM	QTY	PART NUMBER	DESCRIPTION
1	1	1/2-13	HANDLE NUT
2	1	1/2 - 13 x 1 1/2	HEX BOLT
3	1	1/2"	CONICAL TOOTHED WASHER

TOOLS REQUIRED
RATCHET
6" SOCKET EXTENSION
TORQUE WRENCH
5.5mm/10mm/15mm/ 3/4" SOCKETS
MASKING TAPE
AVIATION SHEARS
SAFETY GLASSES



DESIGNED FOR USE WITH BALL MOUNT #45521
EURO MOUNT OPTION AVAILABLE #45571 (1 7/8" BALL) & #45572 (2" BALL)

FRONT
↑
REAR

HITCH WEIGHT: 25 LBS.

INSTALL TIME

PROFESSIONAL: 20 MINUTES

NOVICE (DIY): 45 MINUTES

INSTALL NOTES:

- LOWER EXHAUST REQUIRED
- LOWER FASCIA PANEL REMOVAL REQUIRED
- TRIMMING LOWER FASCIA PANEL OPTIONAL



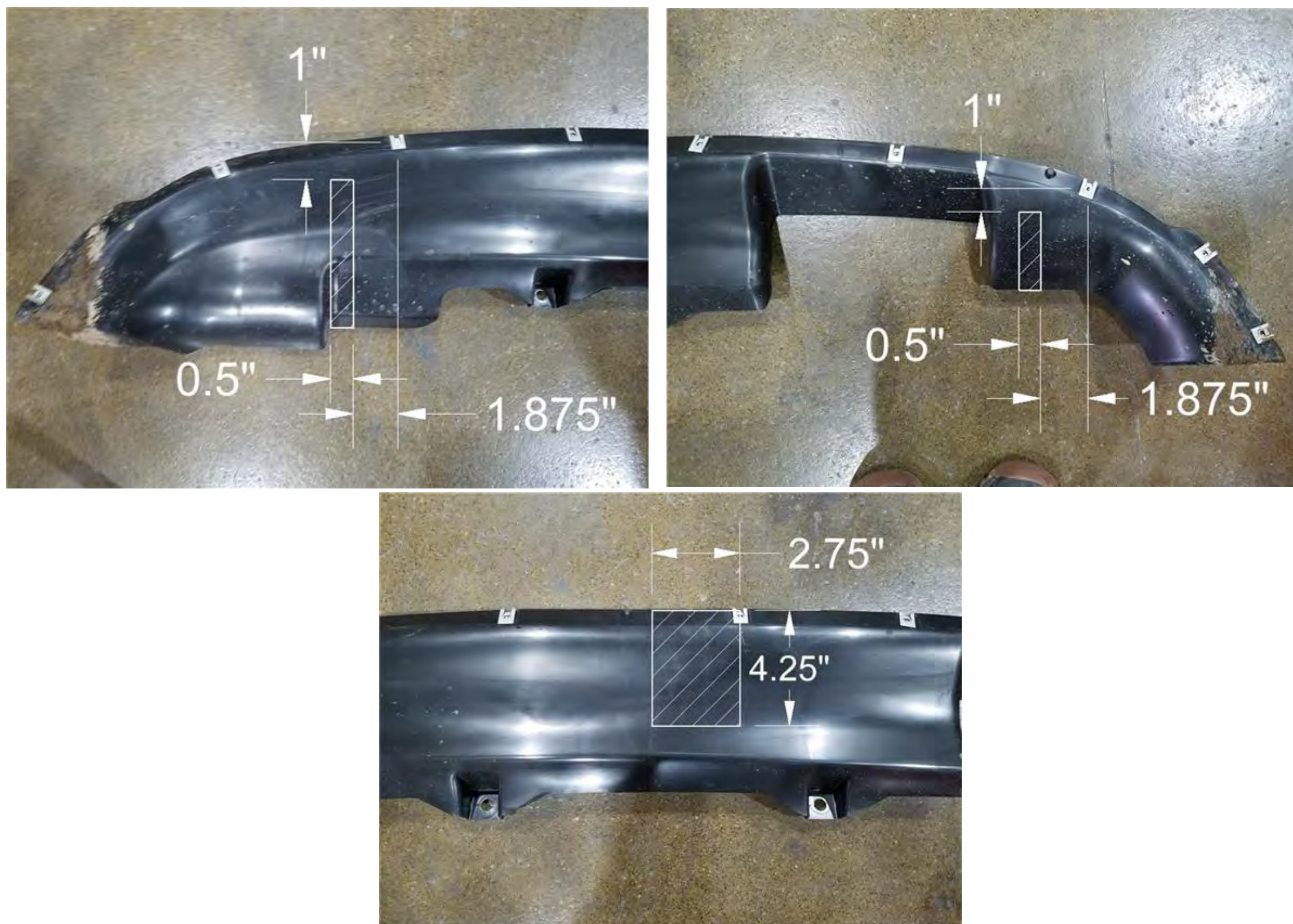
Scan for more information

PERIODICALLY CHECK THIS RECEIVER HITCH TO ENSURE THAT ALL FASTENERS ARE TIGHT AND THAT ALL STRUCTURAL COMPONENTS ARE SOUND.

CURT Manufacturing LLC., warrants this product to be free of defects in material and/or workmanship at the time of retail purchase by the original purchaser. If the product is found to be defective, CURT Manufacturing LLC., may repair or replace the product, at their option, when the product is returned, prepaid, with proof of purchase. Alteration to, misuse of, or improper installation of this product voids the warranty. CURT Manufacturing LLC.'s liability is limited to repair or replacement of products found to be defective, and specifically excludes liability for incidental or consequential loss or damage.

This product complies with safety specifications and requirements for connecting devices and towing systems of the state of New York, V.E.S.C.Regulation V-5 and SAE J684.

HAVING INSTALLATION QUESTIONS? CALL TECHNICAL SUPPORT AT 1-800-798-0813



INSTALLATION STEPS

1. For 2.0 engine models, on the lower fascia panel, locate (10) screws and (2) nuts and remove using a 5.5mm and 10mm sockets. Remove lower fascia panel and set aside for later reinstallation.
NOTE: 1.0 engine models skip to Step 2.
2. Lower exhaust by removing (2) rubber exhaust isolators. Support the exhaust during installation to prevent damage. (See Rubber Isolator Removal Diagram)
3. Remove (6) M10 bolts using a 15mm socket from the framerrails, (4) on the Driver Side and (2) on the Passenger Side. Raise hitch into position and use the (6) removed bolts to attach hitch to vehicle.
4. Feed the 1/2" handle nut through the access hole to the forwardmost attachment for the passenger sideplate. Attach the 1/2" hex bolt and conical tooth washer. Torque all M10 hardware to 45 ft-lbs. and all 1/2" hardware to 110 ft-lbs.
5. For 2.0 Engine models, either don't reinstall the lower fascia panel or trim panel to fit around hitch. To trim, mark out the (3) sections using masking tape and trim using aviation shears. All dimensions are approximate. Confirm fit prior to installation.

PERIODICALLY CHECK THIS RECEIVER HITCH TO ENSURE THAT ALL FASTENERS ARE TIGHT AND THAT ALL STRUCTURAL COMPONENTS ARE SOUND.

CURT Manufacturing LLC., warrants this product to be free of defects in material and/or workmanship at the time of retail purchase by the original purchaser. If the product is found to be defective, CURT Manufacturing LLC., may repair or replace the product, at their option, when the product is returned, prepaid, with proof of purchase. Alteration to, misuse of, or improper installation of this product voids the warranty. CURT Manufacturing LLC.'s liability is limited to repair or replacement of products found to be defective, and specifically excludes liability for incidental or consequential loss or damage.

This product complies with safety specifications and requirements for connecting devices and towing systems of the state of New York, V.E.S.C.Regulation V-5 and SAE J684.