

INSTALLATION INSTRUCTIONS

WARNING: NEVER EXCEED YOUR VEHICLE MANUFACTURER'S RECOMMENDED TOWING CAPACITY

MULTI-FIT TRAILER HITCH CLASS 3, THREE-PIECE



PARTS LIST

Item#	Qty	Description
1	1	Fishwire, 1/2"
2	12	Carriage bolt, 7/16" - 14 x 1"
3	12	Hex flange nut, 7/16" - 14
4	6	Carriage bolt, 7/16" - 13 x 1 3/4"
5	6	Hex flange nut, 1/2" - 13
6	2	Hex bolt, M14 - 2" x 40mm
7	2	Conical washer, 1/2"
8	6	Square hole spacer, 1/4" x 1" x 3"
9	2	Strap, 1/4"

WEIGHT RATINGS

Capacity when used as a weight carrying hitch
5,000 lbs. gross trailer weight

Capacity when used as a weight distribution hitch:
7,500 lbs. gross trailer weight

INSTALLATION NOTES

Hitch weight: 51 lbs.

Install time: 60 minutes

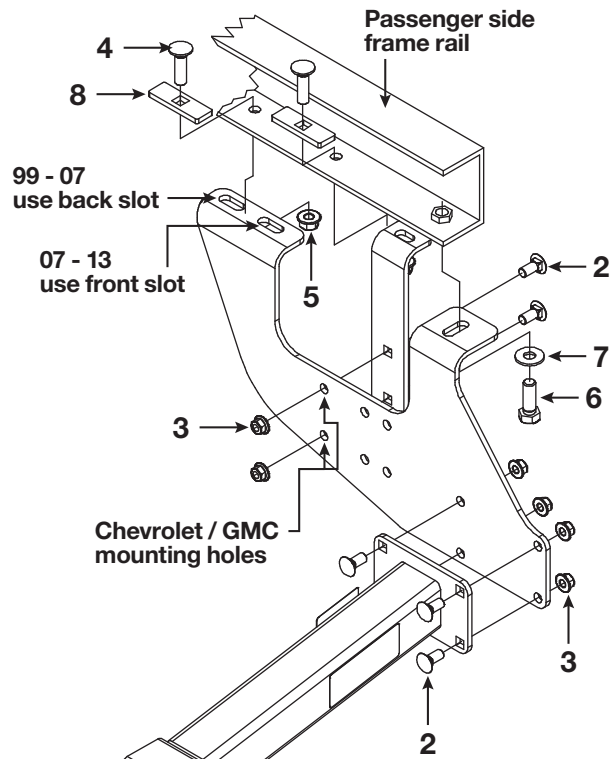
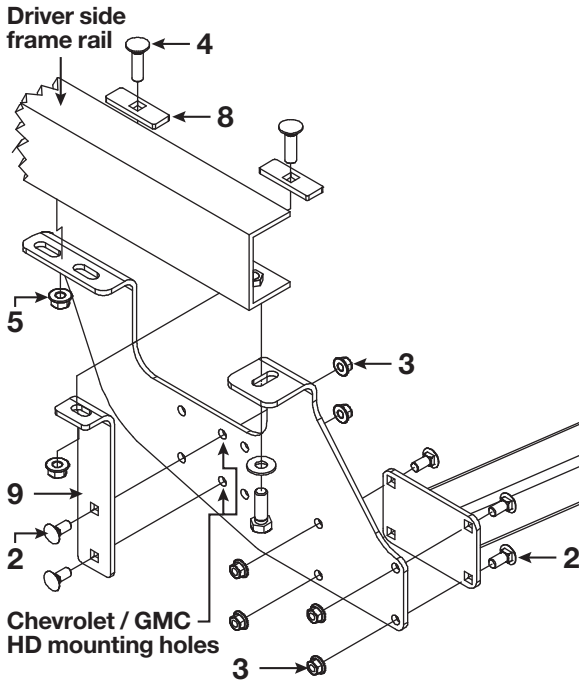
Drilling required on 04-05 Fords only

WARRANTY

CURT Manufacturing, LLC, warrants this product to be free of defects in material and / or workmanship at the time of retail purchase by the original purchaser. If the product is found to be defective, CURT Manufacturing, LLC, may repair or replace the product, at their option, when the product is returned, prepaid, with proof of purchase. Alteration to, misuse of, or improper installation of this product voids the warranty. CURT Manufacturing, LLC's liability is limited to repair or replacement of products found to be defective, and specifically excludes liability for incidental or consequential loss or damage.

CHEVROLET / GMC APPLICATIONS

Years	Model
Chevrolet / GMC	
99 - 13	1500 and 2500LD pickups, classic body
01 - 14	2500HD / 3500 pickups



INSTALLATION

Step 1

Place supplied fasteners into position on the vehicle.

Step 2

Mount the side plates to the frame rails as shown in the diagram above. Raise center section into position and loosely secure to the side plates.

Step 3

Install remaining fasteners.

Step 4

Torque all fasteners:

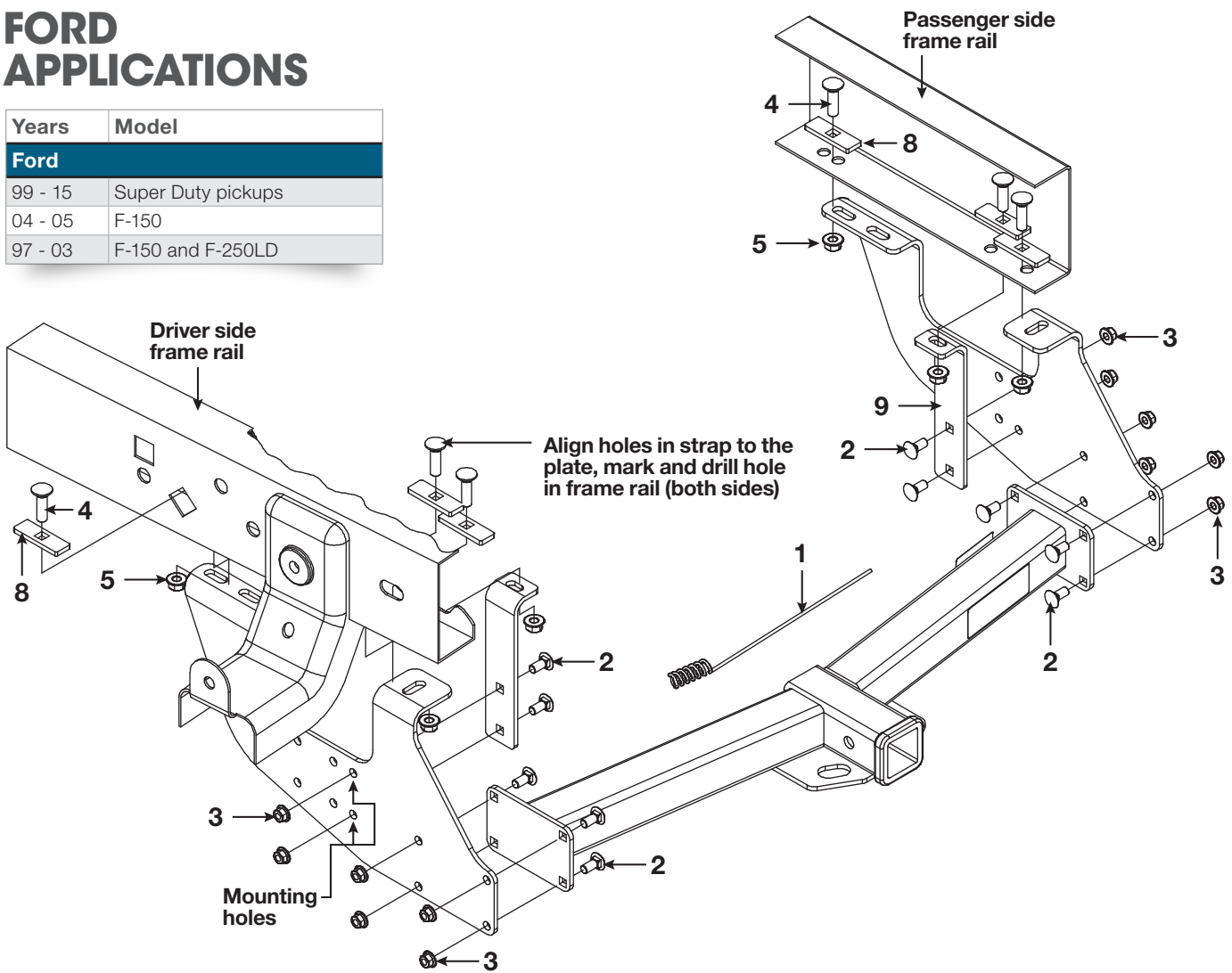
7/16" fasteners to 70 lb-ft
 1/2" fasteners to 110 lb-ft,
 14mm fasteners to 126 lb-ft.

PARTS LIST

Item#	Qty	Description
1	1	Fishwire, 1/2"
2	12	Carriage bolt, 7/16" - 14 x 1"
3	12	Hex flange nut, 7/16" - 14
4	6	Carriage bolt, 7/16" - 13 x 1 3/4"
5	6	Hex flange nut, 1/2" - 13
6	2	Hex bolt, M14 - 2" x 40mm
7	2	Conical washer, 1/2"
8	6	Square hole spacer, 1/4" x 1" x 3"
9	2	Strap, 1/4"

FORD APPLICATIONS

Years	Model
Ford	
99 - 15	Super Duty pickups
04 - 05	F-150
97 - 03	F-150 and F-250LD



INSTALLATION

Step 1

Place supplied fasteners into position on the vehicle, where possible, without drilling, per application.

Step 2

Mount the side plates to the frame rails as shown in the diagram above. Raise center section into position and loosely secure to the side plates.

Step 3

Drill remaining holes if necessary; 03-04 ford trucks.

Step 4

Install remaining fasteners.

Step 5

Torque all fasteners:

- 7/16" fasteners to 70 lb-ft
- 1/2" fasteners to 110 lb-ft,
- 14mm fasteners to 126 lb-ft.

PARTS LIST

Item#	Qty	Description
1	1	Fishwire, 1/2"
2	12	Carriage bolt, 7/16" - 14 x 1"
3	12	Hex flange nut, 7/16" - 14
4	6	Carriage bolt, 7/16" - 13 x 1 3/4"
5	6	Hex flange nut, 1/2" - 13
6	2	Hex bolt, M14 - 2" x 40mm
7	2	Conical washer, 1/2"
8	6	Square hole spacer, 1/4" x 1" x 3"
9	2	Strap, 1/4"