

# INSTALLATION INSTRUCTIONS

**WARNING: NEVER EXCEED YOUR VEHICLE MANUFACTURER'S RECOMMENDED TOWING CAPACITY**

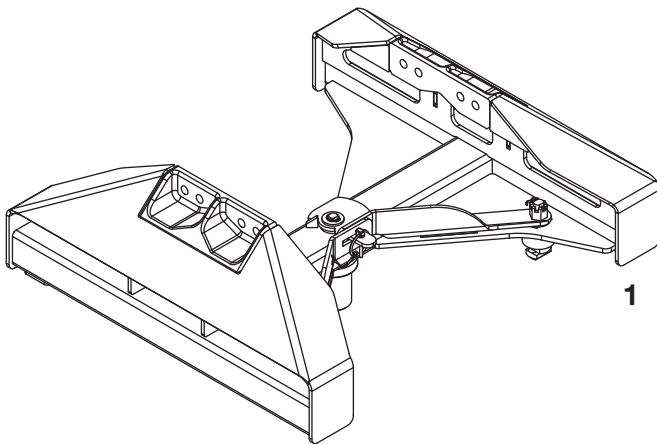
## NISSAN PUCK SYSTEM 5TH WHEEL LEGS

Provide this manual, in its entirety, to the end-user



### PARTS LIST

Item#	Qty	Description
1	1	Leg assembly



### WARNINGS

Provide this manual, in its entirety, to the end-user. Read and understand instructions before using this product. Fully instruct and demonstrate the operation of this 5th wheel hitch to the end user. Include the importance of observing all warnings contained herein, including warning labels on 5th wheel hitch mid section. Serious injury or death may result if the warnings below are not observed.

To avoid serious injury, do not expose hands, body parts or clothing between the truck and trailer or the truck's bed sides and trailer. Extreme care should be observed to avoid serious injury to self, property and observers.

Never exceed the rated towing capacity of the tow vehicle. Trailer and contents combined must not exceed tow vehicle, hitch and / or trailer tow ratings. Exceeding rated capacity may result in separation and / or may result in damage to 5th wheel hitch, towing vehicle, trailer or cause death or serious injury.

Never position yourself or others under the trailer's kingpin area (danger zone) during coupling and uncoupling. Improperly coupled trailers can separate and drop without notice.

# ASSEMBLY

## Step 1

Prepare the 5th wheel head unit for installation by locating the hardware package for mounting the 5th wheel head to the puck system legs. The 16026 Nissan legs (#1) are compatible with the following CURT 5th wheel heads: 16520, 16540, 16530, 16515.

## Step 2

Select a set of mounting holes that will allow sufficient clearance between the 5th wheel trailer and the sides of the tow vehicle. Begin assembling the legs (#1) to the 5th wheel hitch head by inserting the fasteners provided with 5th wheel head unit through the selected mounting holes and loosely secure them to the leg assemblies. Torque all four M14 bolts to 100 ft-lbs. Re-install the 5th wheel head if it was removed to ease installation.

**NOTE:** Position the leg assembly with the operating instruction label on the driver side of the tow vehicle.

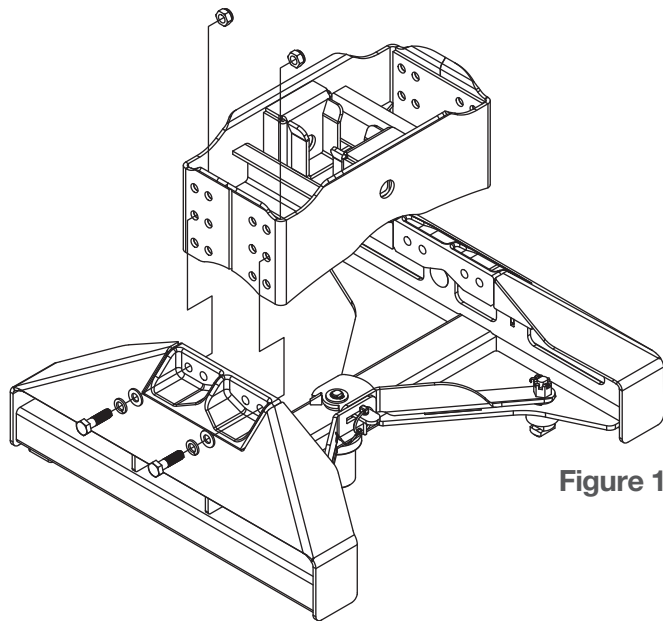


Figure 1

## Step 3

Remove the lynch pin securing the locking handle to the legs. Swing all three handles completely open and lower the legs into position in the bed of the truck. Ensure both locking bolts, spacers and the gooseneck locking stem drop into the mounting holes before attempting to close the handles. See figure 2.

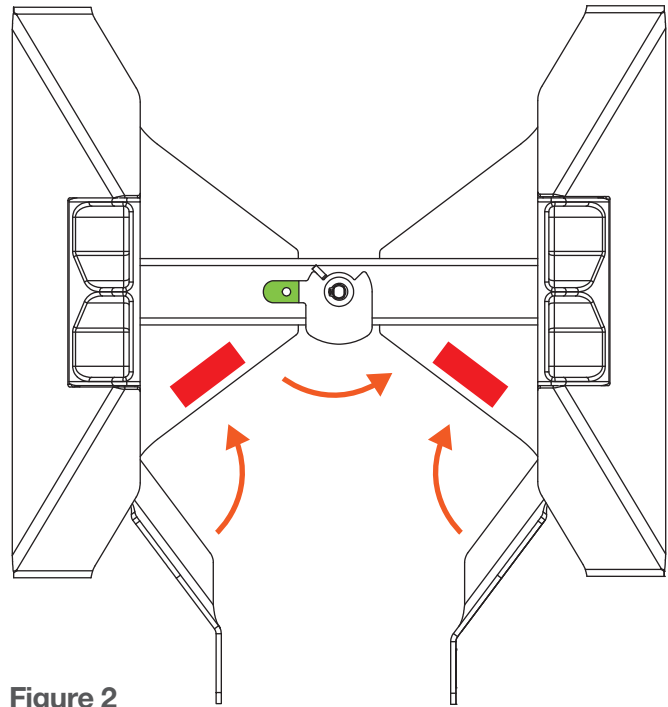


Figure 2

## Step 4

With the legs secured and positioned in truck bed mounts, rotate the handles back to the closed position. Secure the handles by re-inserting the lynch pin. **NOTE:** Slight resistance should be felt as the handles are rotated closed. If the handle will not close with moderate pressure, adjustments must be made to the locking T-bolt; see 'T-bolt Adjustment'.

**WARNING:** Forcing the handle closed may damage the locking bolt and handle, possibly resulting in trailer detachment.

## Step 6

Confirm both locking bolts are engaged in the truck bed mounts and the castle nuts are secured with the cotter pins. Finally, double check to ensure both handles are securely locked with the lynch pin. The 16026 is now installed and ready for use.

# T-BOLT ADJUSTMENT

## Step 1

The locking T-bolts have been pre-installed to ease installation of the 16026. Due to possible variation in the trucks mounting locations, some adjustments may be required. If one or more of the locking handles will not close, begin adjustment by removing the cotter pin securing the castle nut above the handle. See figure 3.

## Step 2

Loosen the castle nut a quarter-turn while pressing down on the T-bolt.

## Step 3

Reattempt to close the locking handle. If the handle closes, resecure the castle nut with the removed cotter pin from step 1. If the handle does not close, repeat step 2.

# CURT WARRANTY

CURT Manufacturing, LLC (CURT) warrants to the original purchaser (Purchaser), its products to be free from defect under normal use and service, ordinary wear and tear excepted, for the warranty period stated below, from the date of the original retail purchase, but subject to the limitations as set forth below.

## LIMITATION ON WARRANTY

CURT's obligation under the above warranty is limited to repair or replacement of the CURT Product (Product), at its option due to a manufacturing defect of the Product. CURT shall not be liable for the loss of or use of vehicles, loss of or damage to personal property, expenses such as telephone, lodging, gasoline, towing, tire damage or any other incidental or consequential damages incurred by the Purchaser, or any other person or entity.

CURT will examine the returned Product. If CURT, in its exclusive discretion, determines that the defect or damaged Product is covered under this limited warranty, CURT will repair the Product or replace it at that time.

Alterations to or misuse of the Product will void the warranty. For example, overloading or exceeding an automobile or trailer manufacturers' weight ratings, or maneuvering motor vehicles equipped with Products at improper rate of speed, shall void the warranty on any of the Products. Failure to properly maintain and regularly inspect the Product according to the specific instruction sheet accompanying each Product shall also void the warranty.

Some states do not allow the exclusion or limitation of incidental or consequential damages. If such exclusions or limitations are prohibited under the applicable law, the above limitation or exclusion may not apply.

This Warranty gives you specific legal rights and you may also have other rights, which vary from state to state.

The Purchaser, when returning a CURT Product, must observe the following steps:

1. The Purchaser must have proof of purchase of any damaged Product and supply the same to the headquarters of CURT. The Purchaser must obtain from CURT (toll free number is 877-CURTMFG (877.287.8634)) a Returned Goods Authorization (RGA) number in order to return any damaged Product to CURT for inspection and evaluation under this Limited Warranty.
2. The Purchaser must pay all handling charges and shipping costs to deliver Products to CURT and must send the damaged Product along with the RGA number and proof of purchase to CURT at 6208 Industrial Drive, Eau Claire, Wisconsin 54701.
3. Upon receipt of damaged Product, CURT will determine whether the damaged Product is covered under the Limited Warranty. If it is, CURT will repair or replace the Product. If the Product is replaced, the Product that is originally returned by the Purchaser shall become the exclusive property of CURT. If the returned Product is not covered under the Limited Warranty, CURT will notify the Purchaser before taking any further action with regard to repair or replacement, which would be at the Purchaser's cost.