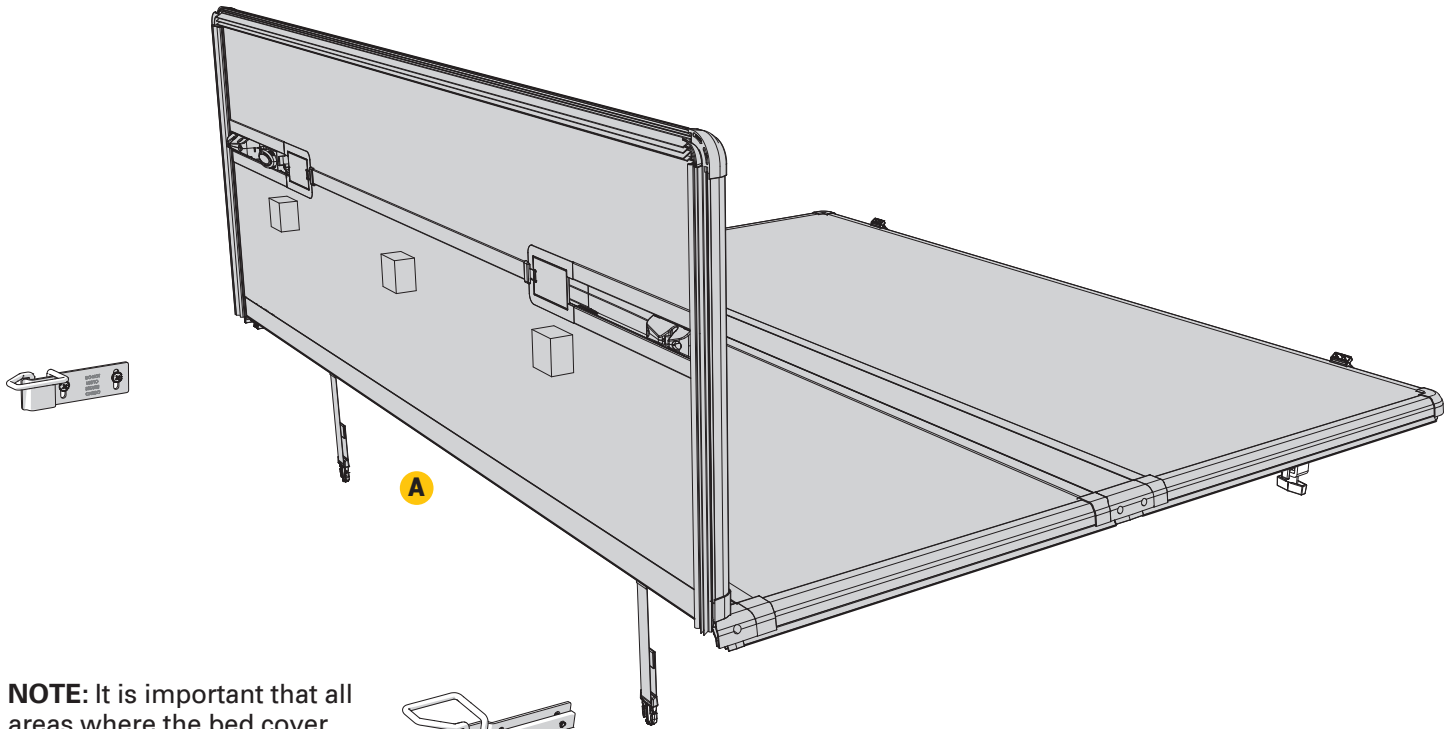


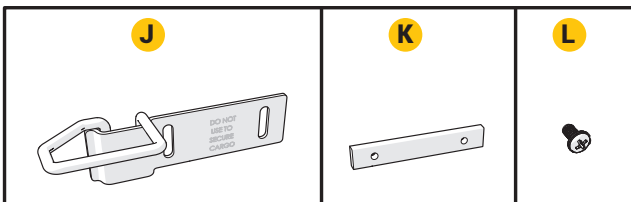
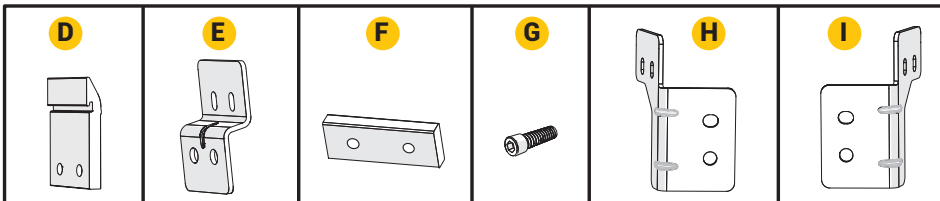
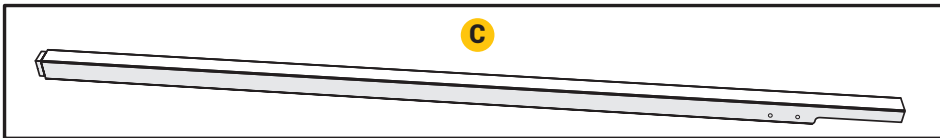
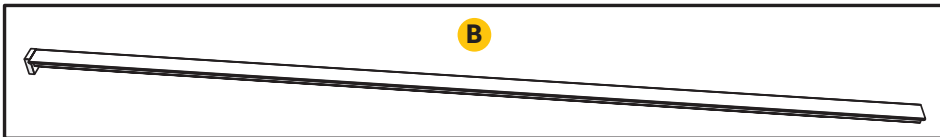
Any damaged or missing parts?

Parts will be shipped to you directly.

Call 800-877-2588, Mon - Fri, 8:30 a.m. - 6:00 p.m. EST



NOTE: It is important that all areas where the bed cover mounts are clean and free of debris prior to installing.



PARTS INCLUDED IN YOUR KIT

- A** Cover assembly
- B** 1x Mounting rail, driver side
- C** 1x Mounting rail, passenger side
- D** 4x Rail brackets
- E** 2x Cab brackets
- F** 4x Tap plates
- G** 8x Socket head screws
- H** 1x Rear bracket, driver side
- I** 1x Rear bracket, passenger side
- J** 2x Striker brackets
- K** 2x Slide blocks
- L** 4x Phillips head screws

TOOLS PROVIDED

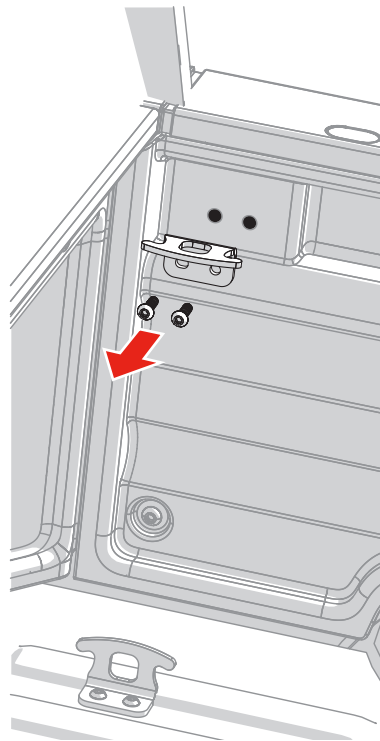
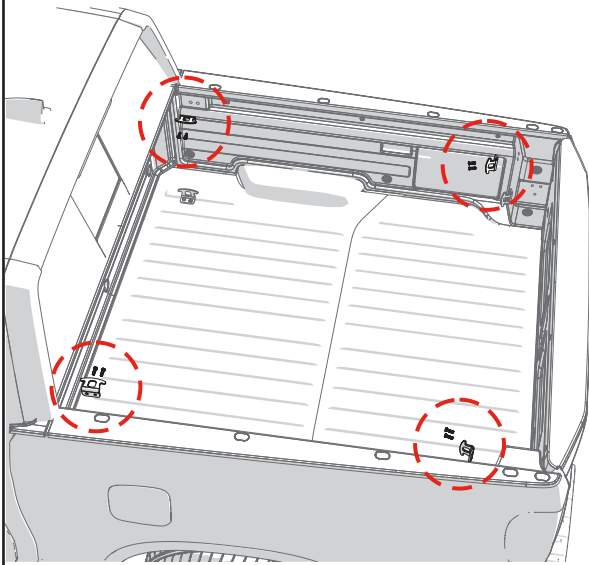
- Torx wrench - T-20
- Hex wrench - 2.5MM
- Hex wrench - 3/16"

TOOLS REQUIRED

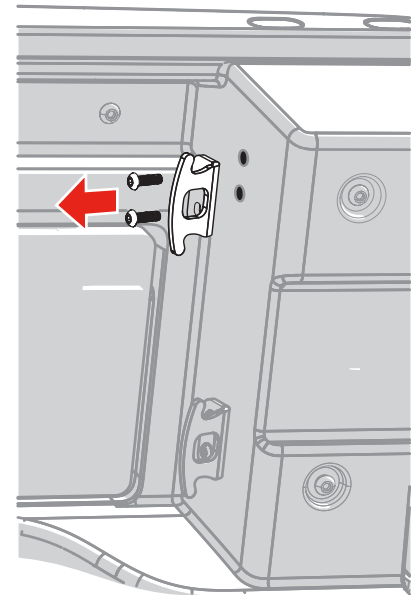
- Torx wrench - T-50
- Phillips screwdriver



1 Remove the 4 upper tie-down hooks. Keep the 8 Torx screws, but do **not** reuse the tie-down hooks.

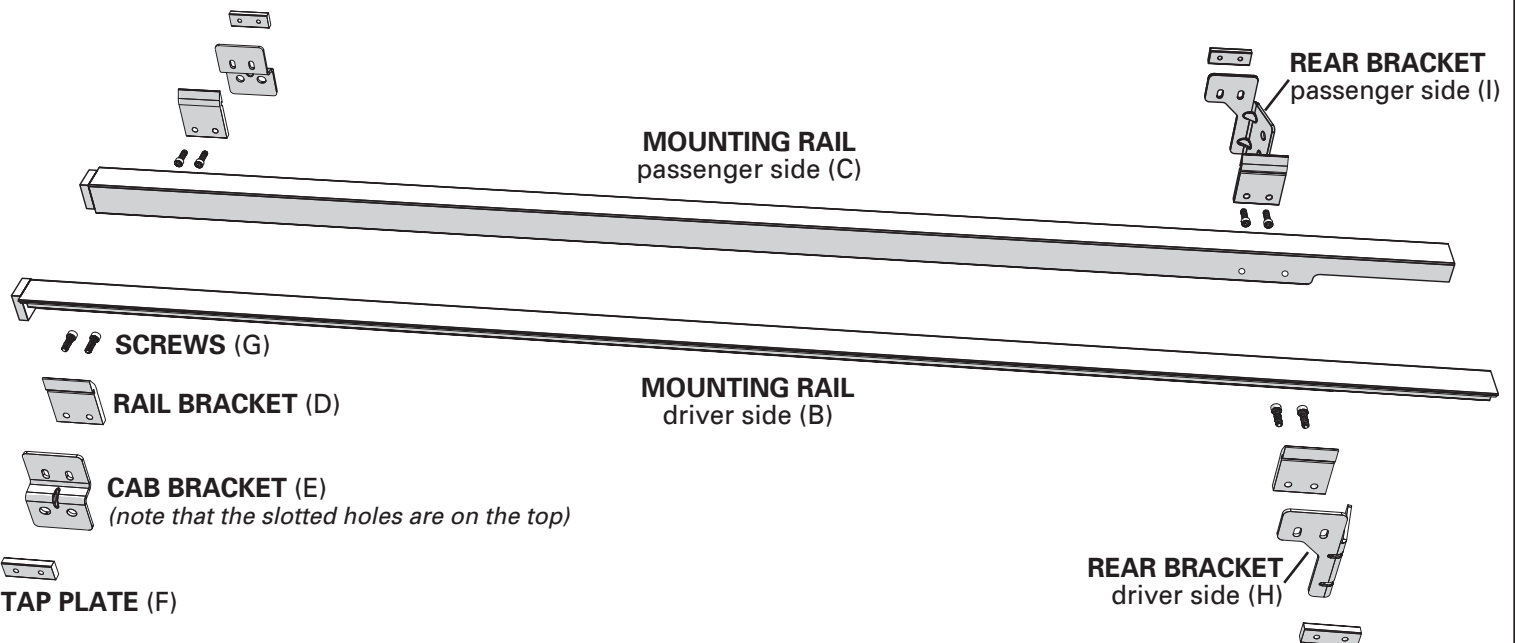


Front, upper tie-down hooks.
Both sides.

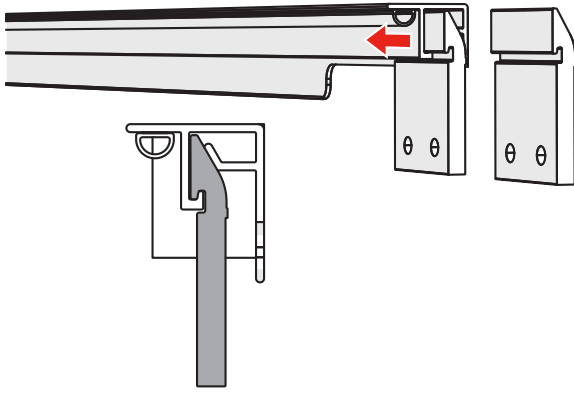


Rear, upper tie-down hooks.
Both sides.

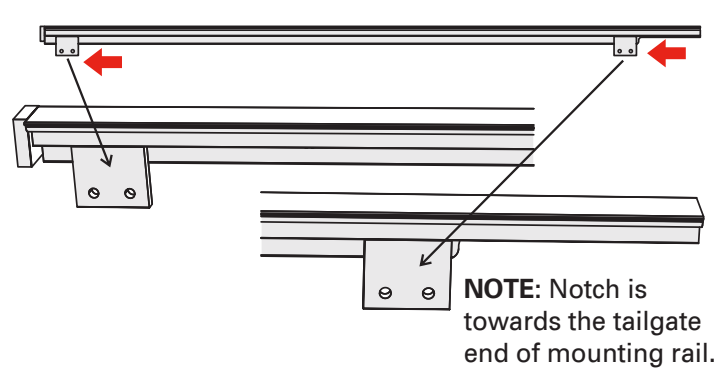
2 Align the parts for assembly as shown.



3 Slide two of the rail brackets (D) into each rail (B & C). Align with the rail interior profile as shown.

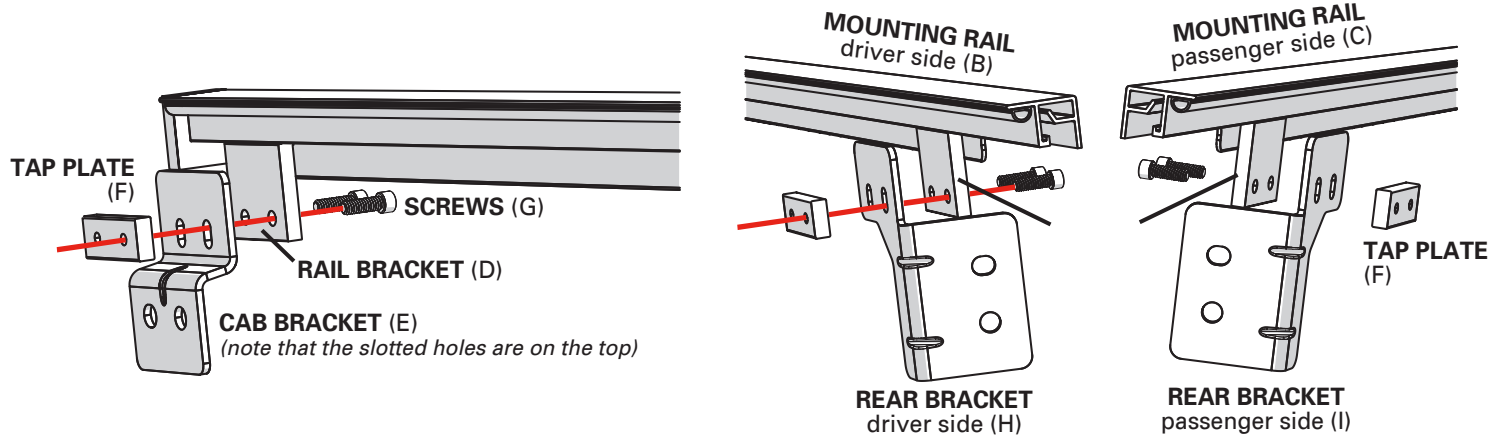


4 Slide one rail bracket (D) towards the cab, leaving the other at the tailgate of each rail (B & C).



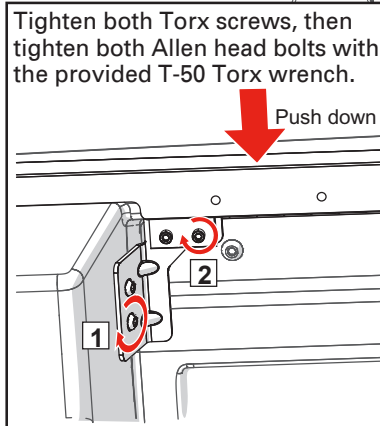
NOTE: Notch is towards the tailgate end of mounting rail.

5 With the rail brackets (D) slid into the rails (B & C), assemble the full brackets as shown. Loosely tighten the screws (G) with provided 3/16" hex wrench.

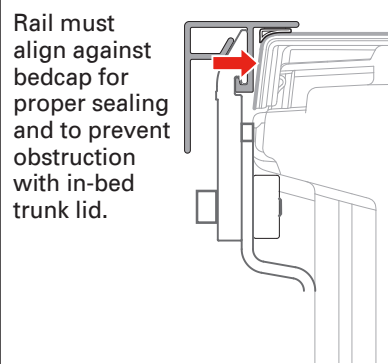


6 Place the rails (B & C) on the truck once the brackets are mounted to the rails. Position the rails (B & C) so the front cap pad firmly contacts the bulkhead. Align the brackets so they line up with the factory tie-down hook bolt holes, then thread in the Torx screws from Step 1 and tighten.

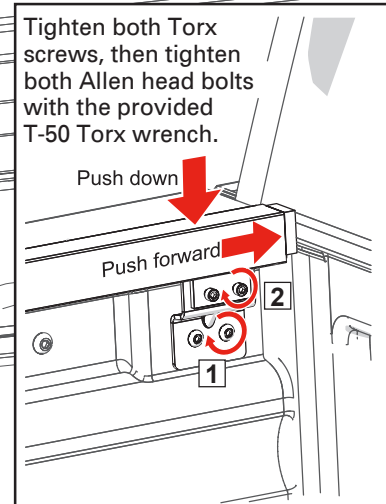
Tighten the front hardware while pushing down on the rail to make a good seal contact with the truck bed while at the same time also push the rail forward to keep good contact between the cap pad and bulkhead. Continue to push down on the rail while tightening the rear bracket hardware.



Tighten both Torx screws, then tighten both Allen head bolts with the provided T-50 Torx wrench.



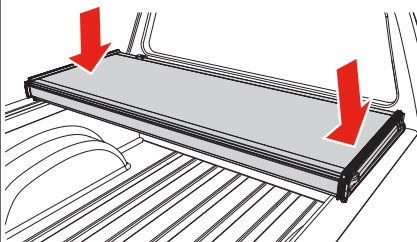
Rail must align against bedcap for proper sealing and to prevent obstruction with in-bed trunk lid.



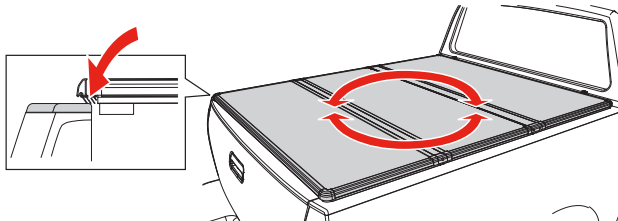
Tighten both Torx screws, then tighten both Allen head bolts with the provided T-50 Torx wrench.

Cap pad to bulkhead

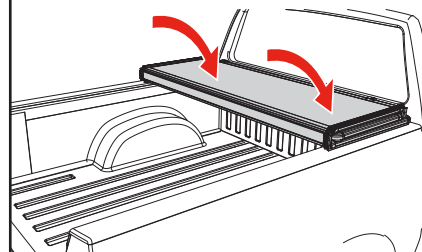
7 Place the folded cover (A) on the cab end of the truck bed. Make sure the cover is square with the truck bed and the bulkhead seal sits on the truck bed bulkhead.



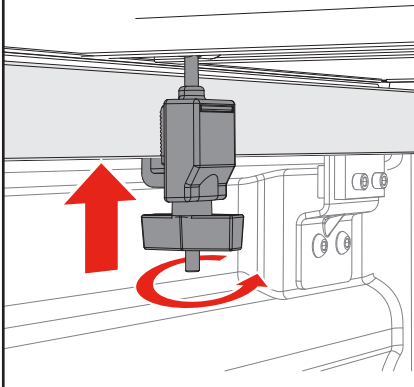
8 Unfold the bed cover (A) fully and adjust position over the truck bed for proper front (cab) and rear (tailgate) alignment. When positioned front and back, the tailgate seal should contact the tailgate with the first two fins.



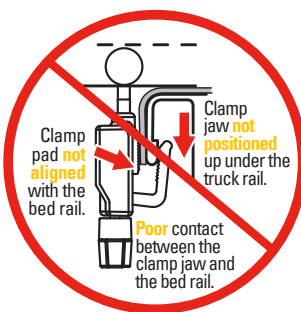
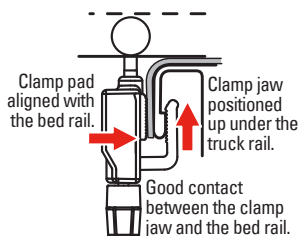
9 Carefully refold the bed cover (A) without shifting its position on the truck bed.



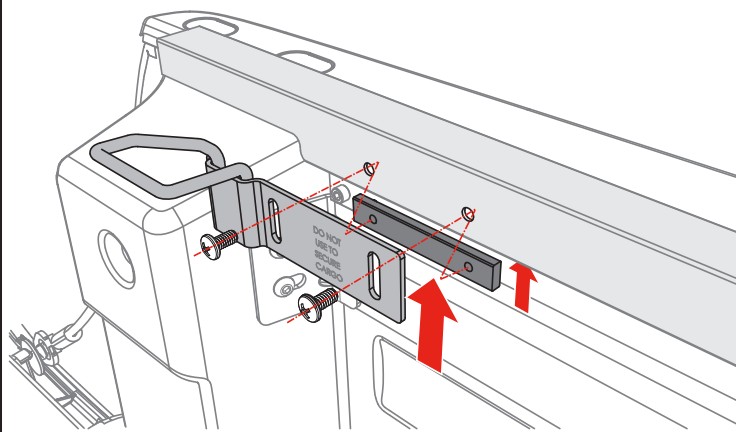
10 Hook the jaw of the cab clamps under the edge of the mounting rails (B & C). Tighten the knobs until the jaw contacts the rails (B & C), then tighten an additional two turns. Tighten both sides.



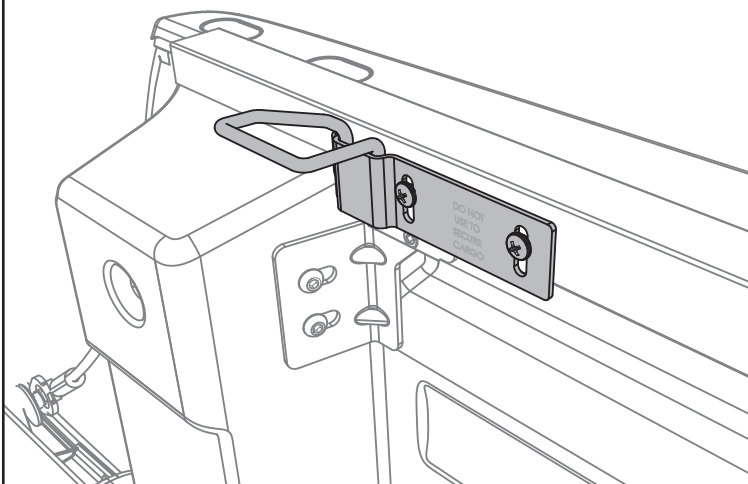
IMPORTANT



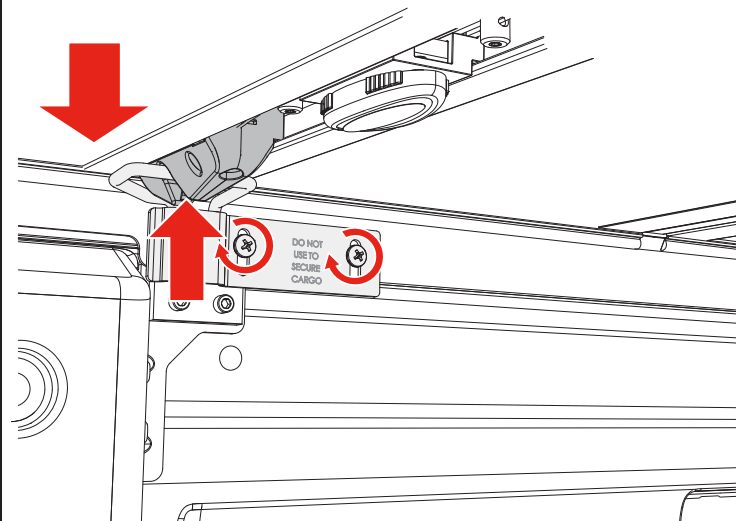
11 At the tailgate attach the striker brackets (J) to the mounting rails (B & C) by threading the screws (L) through the striker bracket (J), through the rail (B & C) and into the slide block (K).



12 Install the striker brackets (J) on both sides of the truck. Leave the screws (L) loose for later adjustments.

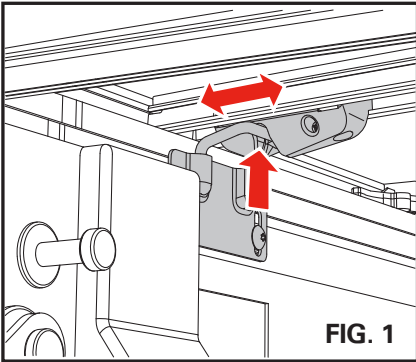


13 Close the bed cover (A), align the latch with the striker bracket (J) and tighten the screws (L) with a Phillips screwdriver. Push down on the cover (A) while tightening.



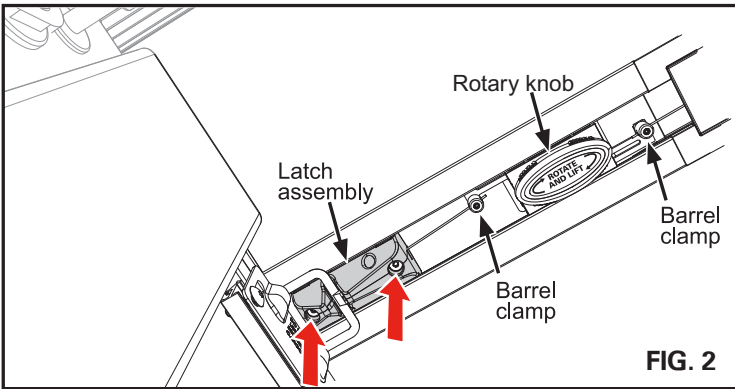
14 Adjustments and tightening of the latch assembly is required.

The bed cover latch assembly and rotary knob comes from the factory only partially tightened to allow for installation adjustments. **Only use the hand tools provided, do not use power tools.**



Lower the rear of the bed cover and loosen the screws on both latch assemblies and the rotary knob. Rotate the knob to locate the screws. Adjust the position of each latch so that they engage with the striker brackets, (**Fig. 1**). With the latches adjusted, from underneath the cover, use the provided T-20 Torx wrench to tighten the two screws, (**Fig. 2**) in both the driver and passenger side latches.

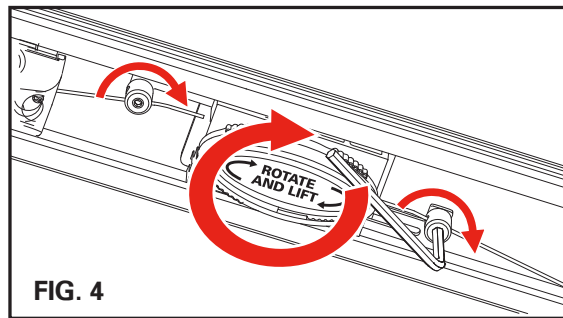
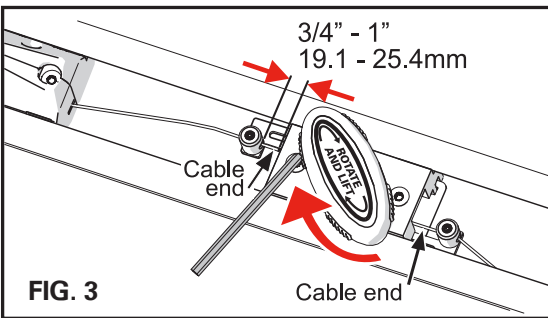
The cables come routed through the barrel clamps of the rotary knob. Adjust the position of the rotary knob so that the cable from the driver side latch can be inserted through the barrel clamp leaving 3/4" - 1" of cable extending through the barrel clamp without turning the knob, for future adjustments (**Fig. 3**).



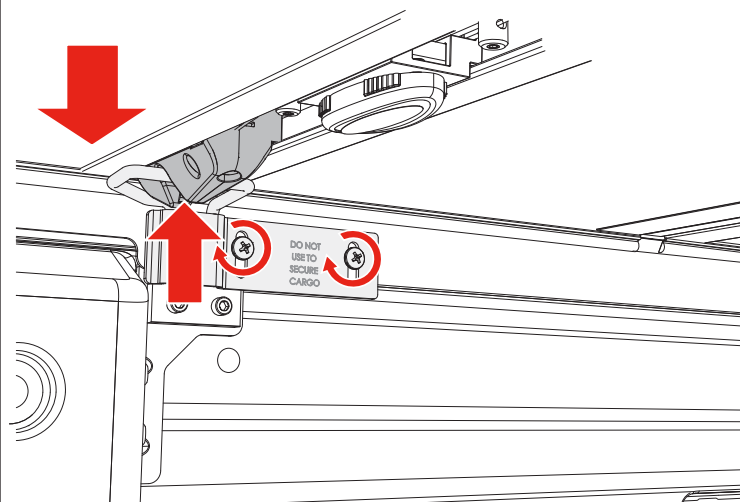
Rotate the rotary knob until you see the flat head screws. Tighten the two screws using the provided Torx T-20 wrench, (**Fig. 3**).

Next, tighten the barrel clamp set screws, (**Fig. 4**) with the provided 2.5mm hex key to secure the latch cables. Rotate the rotary knob, (**Fig. 4**) to verify that the latches disengage from the striker brackets.

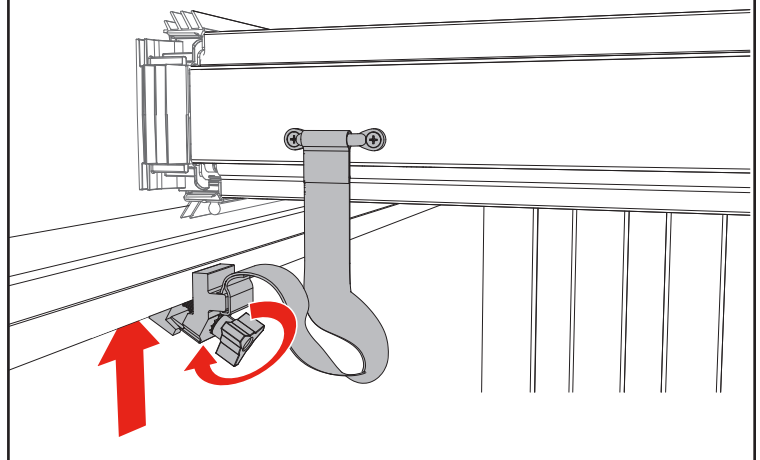
Close the cover, then double-check that it is secure and tight to the truck bed by gently lifting the corners to ensure the mechanisms are engaged.



15 To make the final adjustment, loosen the striker bracket screws. Then move the bracket down by firmly pulling the cover to the truck rail and tailgate. Make sure that both sides match, then retighten the screws.

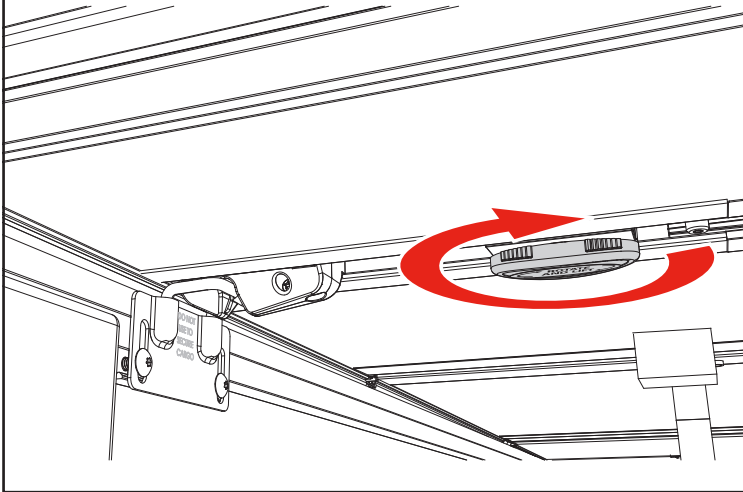


16 The tethers come installed on the bed cover hinge with a clamp at the other end. Install the clamp end by sliding the clamp onto the truck rail. Make sure the clamp is positioned as far up onto the rail as possible. Firmly hand tighten the knobs. Install the tethers on both sides of the cover.



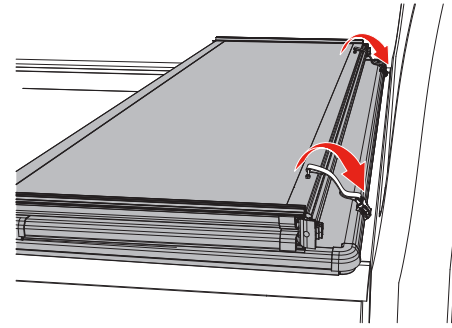
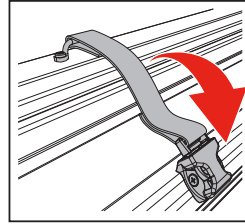
Opening the cover

Open the cover by twisting the rotary knob and lifting the cover.



Securing the cover

To drive with the cover open, fold the cover forward to the cab and fasten BOTH straps in the middle section to the front rail. Check that the straps are tight, and pull the strap



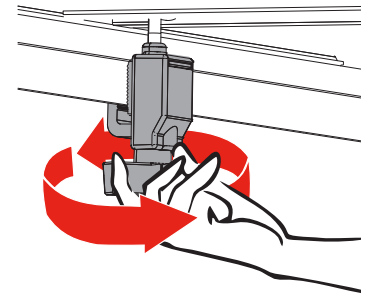
IMPORTANT

Re-tighten the front/cab clamps and tethers after the first week of driving the vehicle. Also periodically check the clamps and tethers to ensure they are secure.

Closed/Extended Position – Bed cover must be completely secured by all four (4) clamps.

Open/Folded Position – Bed cover must be completely folded up (all panels) and secured at the cab with the provided buckles straps and with both tethers attached.

Do NOT drive with the bed cover in a partially open position.



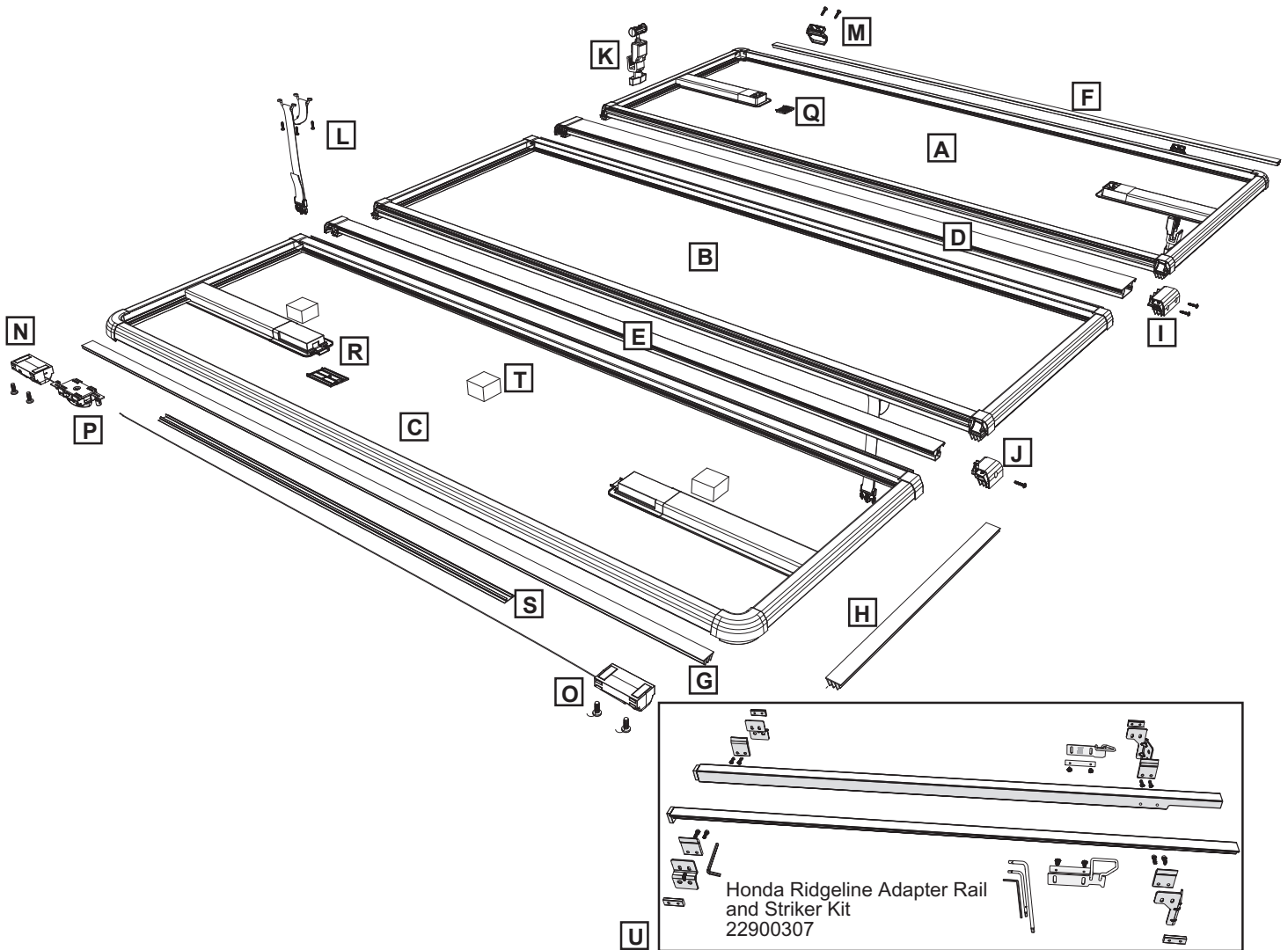
Do NOT allow the vehicle to be towed backwards without first removing the cover from the vehicle.



Remove any snow or foreign matter before folding the bed cover.

REPLACEMENT PARTS

Replacement parts can be ordered online at extang.com/replacement-parts or you can contact our Customer Service Department for assistance. When ordering, xxx represents the 3 digit suffix, as referenced on the sales receipt or vehicle application list.



Call Out	Title	Part Number	Description	Qty
A	Cab Panel	88xxx-60	Cab panel assembly	1
B	Mid Panel	88xxx-61	Mid panel assembly	1
C	Tail Panel	88xxx-62	Tail panel assembly	1
D	Cab Hinge	88xxx-63	Cab hinge assembly	1
E	Tail Hinge	88xxx-64	Tail hinge assembly	1
F	Cab Seal	32002112	Single length seal (68"), hollow seal, cut to fit	1
G	Tailgate Seal	32563200	Single length seal, (68"), 4-fin, cut to fit	1
H	Side Seal	32000685	Single length (68") Side Seal, cut to fit	1
I	Cab Hinge Cap Kit	31830010	Cab hinge cap & fasteners	1
J	Tail Hinge Cap Kit	31830020	Tail hinge cap & fasteners	1
K	Front (Cab) Clamp	*	Front clamp assembly*	1
L	Tie Down Kit	31831010	Male buckle Strap & fasteners	1
M	Cab Buckle Kit	31830002	Female buckle & fasteners	1
N	Latch Assembly, Driver	28900100	Autolatch assembly for the driver side	1
O	Latch Assembly, Passenger	28900101	Autolatch assembly for the passenger side	1
P	Rotary Release Assembly	28900102	Rotary assembly	1
Q	Latch Pocket Cover, Cab	35830102	Plastic cover for the latch pocket on the cab panel	1
R	Latch Pocket Cover, Tail	35880002	Plastic cover for the latch pocket on the cab panel	1
S	Cable Cover	35880003	Snap-in cable cover	1
T	Spacer Pad	32622500	Foam adhesive backed pad	1
U	Adapter Rails & Strikers	22900307	Adapter rails, rear/tail striker brackets and hardware for the Honda Ridgeline	1

* Specify, year, make, model, long or short bed, driver or passenger side.

LIMITED WARRANTY

WARRANTY COVERAGE

This truck bed cover is warranted against defects in materials or workmanship as follows. This warranty is void if the product has been damaged in an accident, or due to neglect, unforeseeable use, improper installation, improper servicing, or other cause not arising out of defects in material or workmanship.

The truck bed cover carries a limited warranty for five (5) years from the original date of purchase, subject to the terms below.

WARRANTY IS NOT TRANSFERABLE

The warranty is to the initial owner purchasing the truck bed cover and it is not transferrable to a subsequent end user. Proof of purchase may be required to enforce these warranty rights.

WARRANTY CONDITIONS

Failure to follow these care and use instructions will void the warranty.

- Clean with mild automotive soap and water only.
- Cover must be secured at all points when vehicle is in motion. When not fully extended, cover must be completely folded up and secured at the cab with the provided buckle straps and tethers attached. Do NOT drive with the bed cover in a partially open position.
- Check all clamps and retention mechanisms for tightness after a week of driving following installation (or re-installation) of the cover and periodically thereafter.
- Before opening, cover must be free of all foreign materials including snow and ice.
- Do NOT tow your vehicle from the rear with the cover on your vehicle. If towing from the rear is required, the cover MUST be removed from the vehicle and properly stored.

WARRANTY PERFORMANCE

If all warranty conditions are met, a defective truck bed cover or hardware component will either be repaired or replaced (at our option). We reserve the right, for any warranty, to substitute a newer model or bed cover having similar form and function, to offer a warranty discount on an entire replacement system, and/or provide remedies other than those mentioned in this document.

WARRANTY PROCESS

A Return Authorization number must be obtained from our Customer Service Department prior to returning any product. We may require the original item to be returned postage prepaid for final determination. Shipping charges will apply for any repair or replacement. Other than postage or shipping charges, no charge will be made for repair or replacement under this warranty.

This warranty gives you specific legal rights. As an owner, you may also have additional rights and remedies under the laws of your state.

WARRANTY REGISTRATION

Warranty registration must be on file and/or proof of original purchase (detailed and dated receipt) required for warranty to be effective.

Register online at <https://realtruck.com/extang-warranty>

**REGISTER
YOUR
WARRANTY
ONLINE**



SOMETHING DAMAGED? MISSING PARTS?

CALL US FIRST
800-877-2588

WE CAN HELP YOU QUICKLY AND EASILY OVER THE PHONE

Experienced Customer Service staff are available
to answer all your truck bed cover questions

CUSTOMER SERVICE HOURS

8:30 a.m. TO 6:00 p.m. EST, MONDAY - FRIDAY

Truck bed cover model: _____

Purchase date: _____

Lot code: _____

Lot code can be found on the underside of cover.