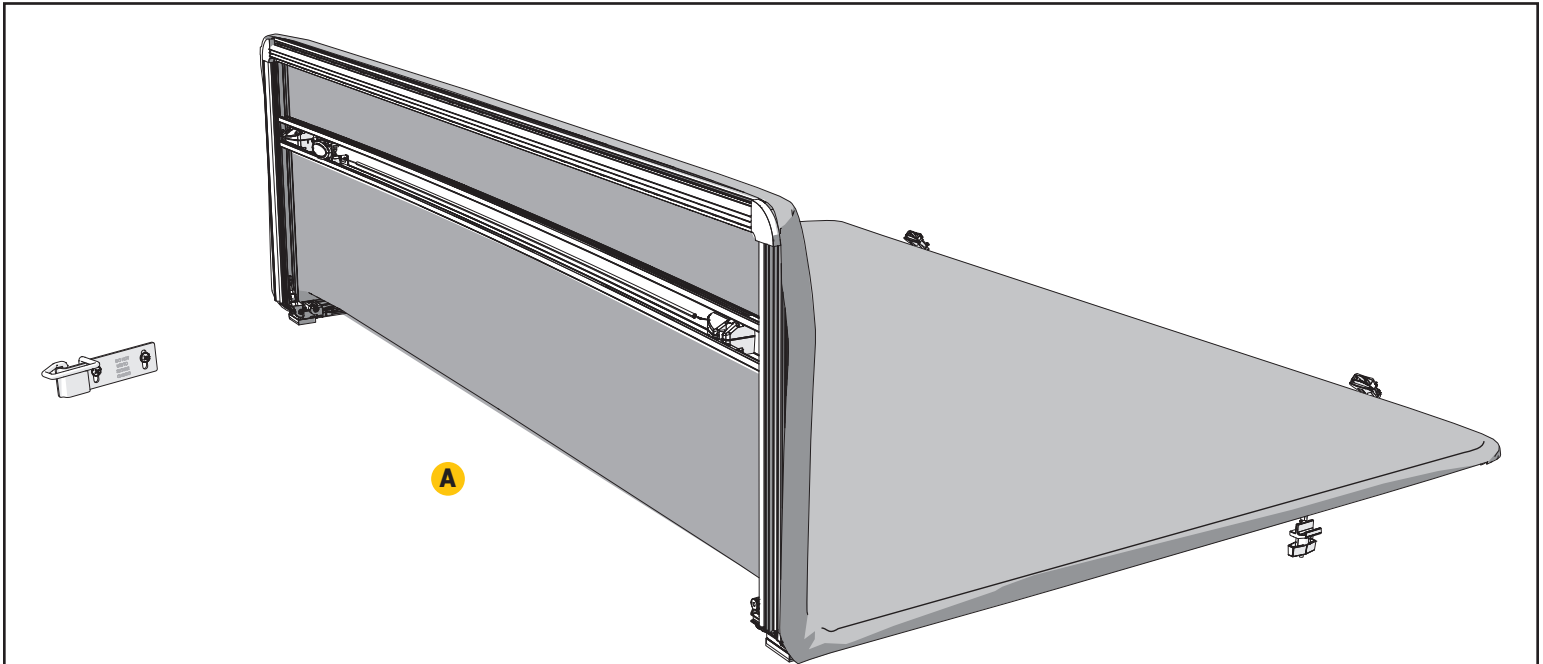


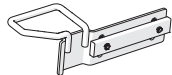
Any damaged or missing parts?

Parts will be shipped to you directly.

Call 800-877-2588, Mon - Fri, 8:30 a.m. - 6:00 p.m. EST



NOTE: It is important that all areas where the bed cover mounts are clean and free of debris prior to installing.



PARTS INCLUDED IN YOUR KIT

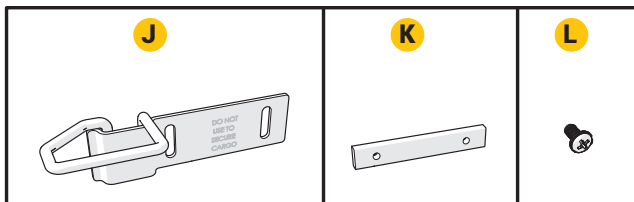
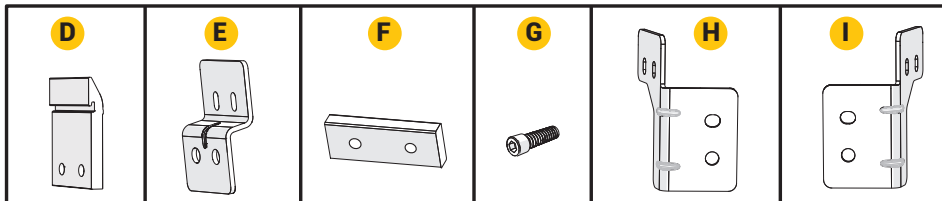
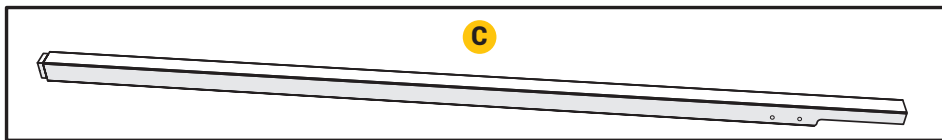
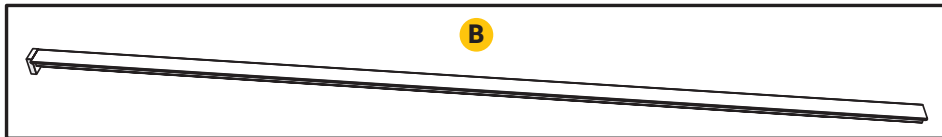
- A** Cover assembly
- B** 1x Mounting rail, driver side
- C** 1x Mounting rail, passenger side
- D** 4x Rail brackets
- E** 2x Cab brackets
- F** 4x Tap plates
- G** 8x Socket head screws
- H** 1x Rear bracket, driver side
- I** 1x Rear bracket, passenger side
- J** 2x Striker brackets
- K** 2x Slide blocks
- L** 4x Phillips head screws

TOOLS PROVIDED

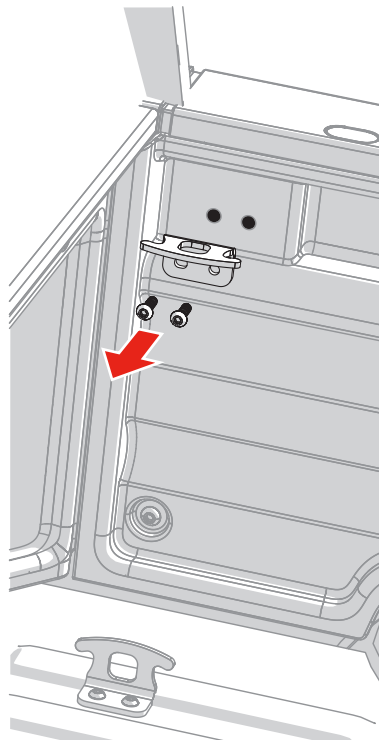
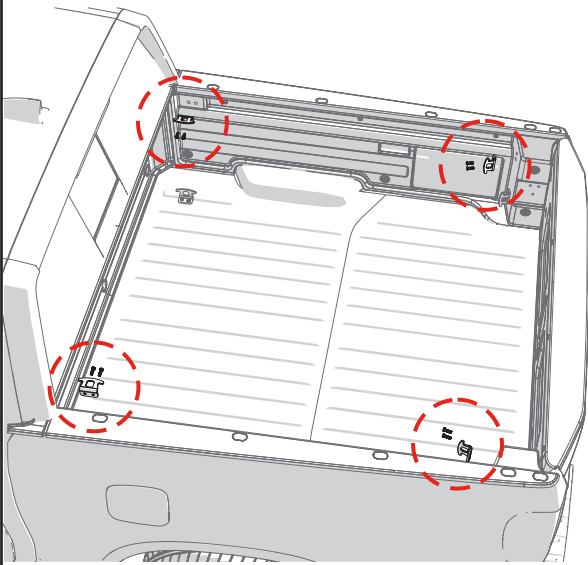
- Torx wrench - T-20
- Hex wrench - 2.5MM
- Hex wrench - 3/16"

TOOLS REQUIRED

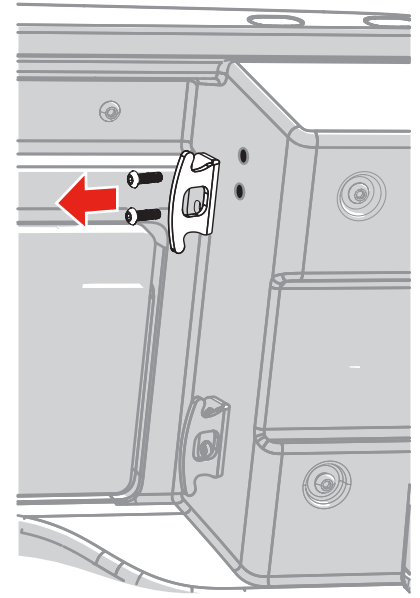
- Torx wrench - T-50
- Phillips screwdriver



1 Remove the 4 upper tie-down hooks. Keep the 8 Torx screws, but do **not** reuse the tie-down hooks.

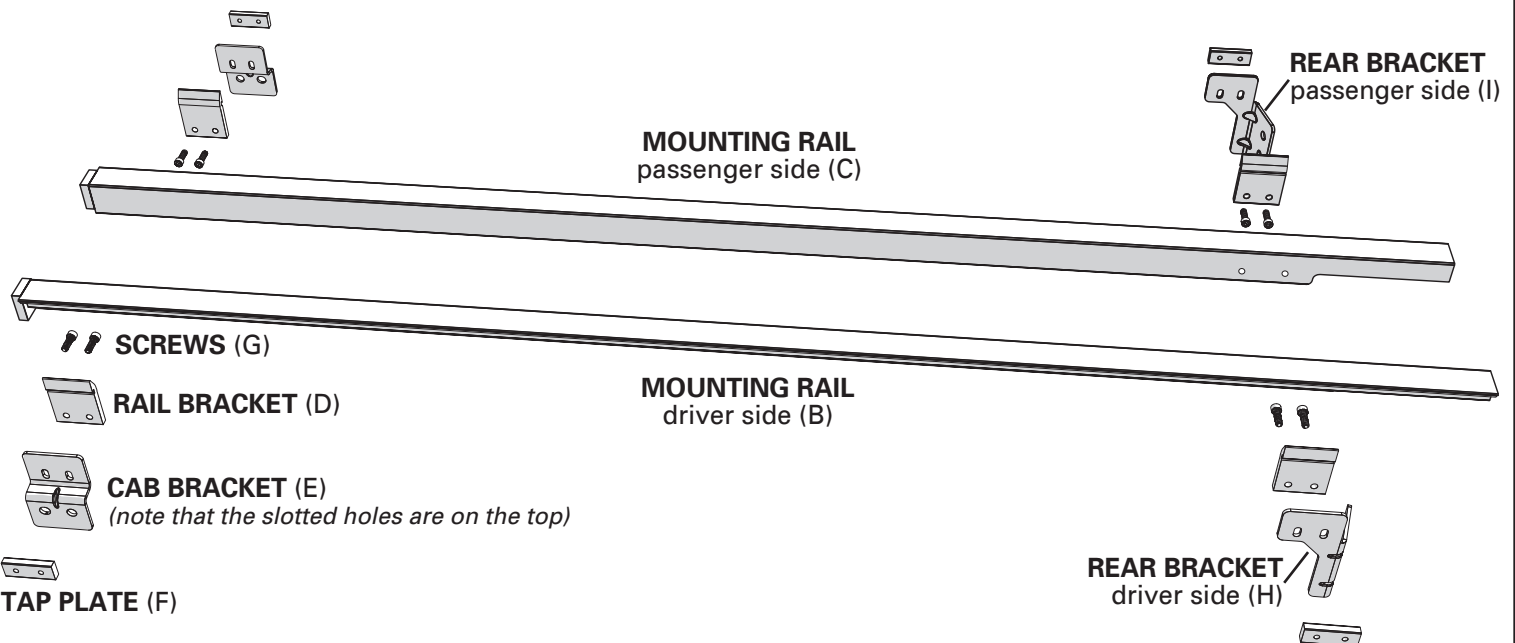


Front, upper tie-down hooks.
Both sides.

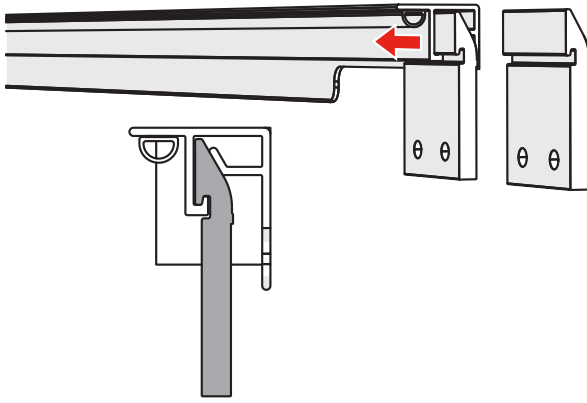


Rear, upper tie-down hooks.
Both sides.

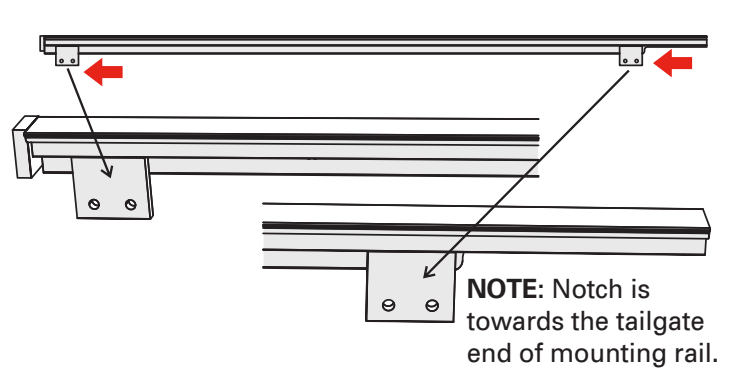
2 Align the parts for assembly as shown.



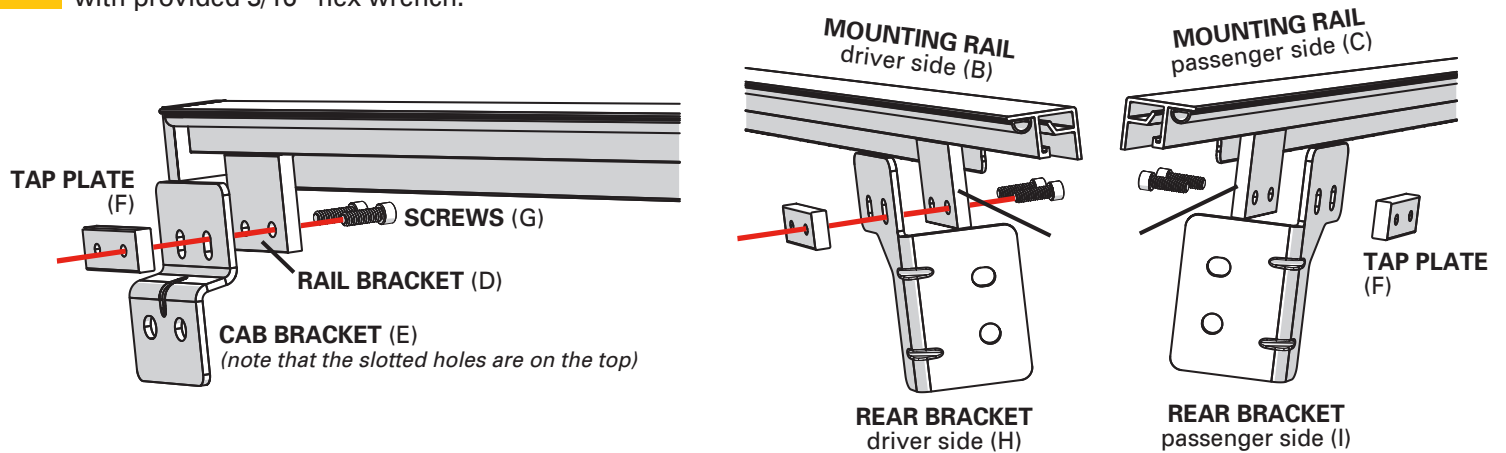
- 3** Slide two of the rail brackets (D) into each rail (B & C). Align with the rail interior profile as shown.



- 4** Slide one rail bracket (D) towards the cab, leaving the other at the tailgate of each rail (B & C).



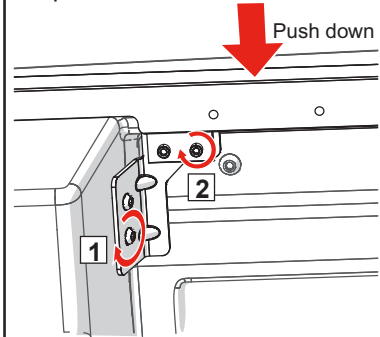
- 5** With the rail brackets (D) slid into the rails (B & C), assemble the full brackets as shown. Loosely tighten the screws (G) with provided 3/16" hex wrench.



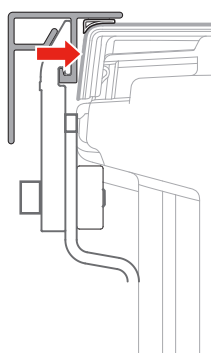
- 6** Place the rails (B & C) on the truck once the brackets are mounted to the rails. Position the rails (B & C) so the front cap pad firmly contacts the bulkhead. Align the brackets so they line up with the factory tie-down hook bolt holes, then thread in the Torx screws from Step 1 and tighten.

Tighten the front hardware while pushing down on the rail to make a good seal contact with the truck bed while at the same time also push the rail forward to keep good contact between the cap pad and bulkhead. Continue to push down on the rail while tightening the rear bracket hardware.

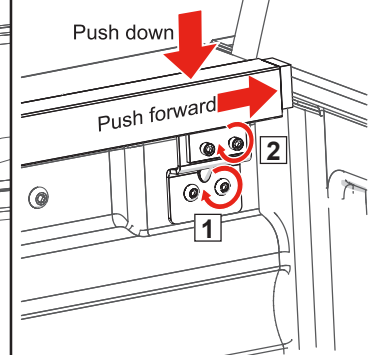
Tighten both Torx screws, then tighten both Allen head bolts with the provided T-50 Torx wrench.



Rail must align against bedcap for proper sealing and to prevent obstruction with in-bed trunk lid.

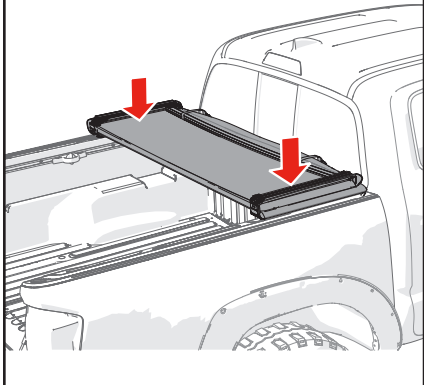


Tighten both Torx screws, then tighten both Allen head bolts with the provided T-50 Torx wrench.

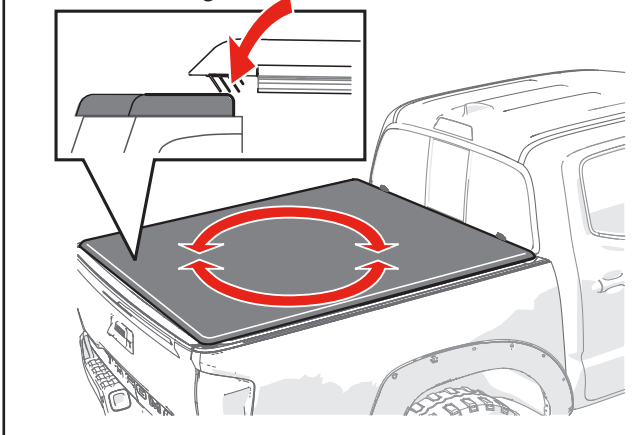


Cap pad to bulkhead

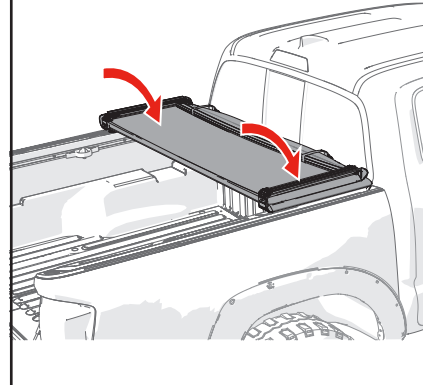
7 Place the folded cover (A) on the cab end of the truck bed. Make sure the cover is square with the truck bed and the bulkhead seal sits on the truck bed bulkhead.



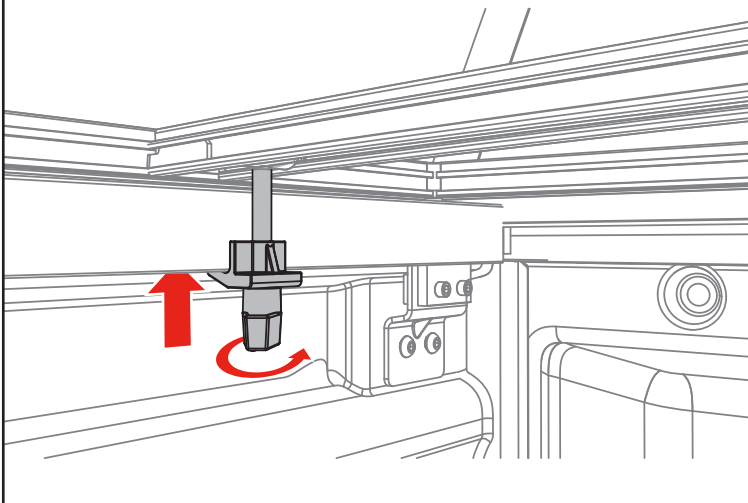
8 Unfold the bed cover (A) fully and adjust position over the truck bed for proper front (cab) and rear (tailgate) alignment. When positioned front and back, the tailgate seal should contact the tailgate with the first two fins.



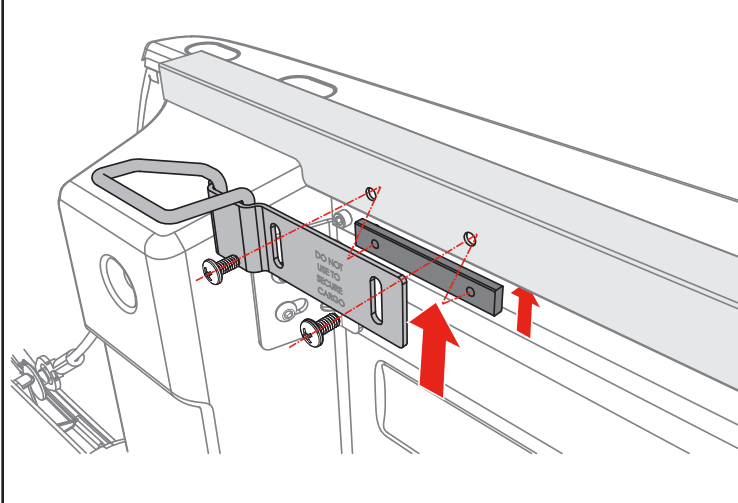
9 Carefully refold the bed cover (A) without shifting its position on the truck bed.



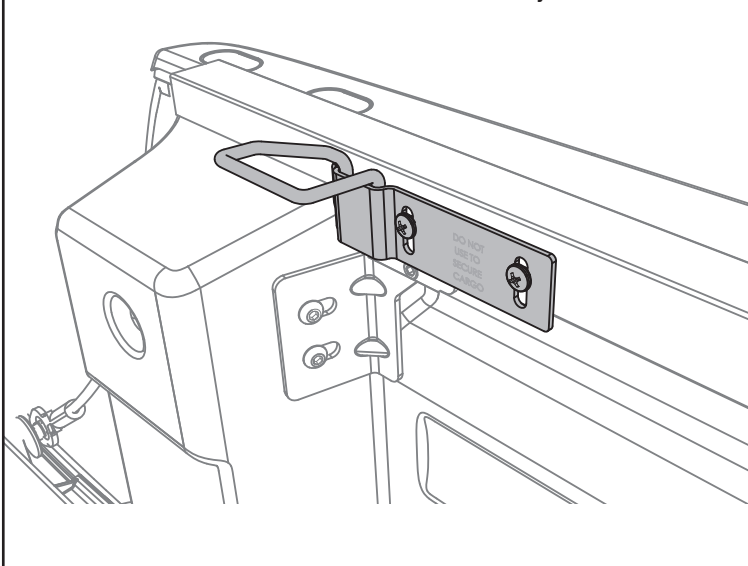
10 Hook the jaw of the cab clamps under the edge of the mounting rails (B & C). Tighten the knobs until the jaw contacts the rails (B & C), then tighten an additional two turns. Tighten both sides.



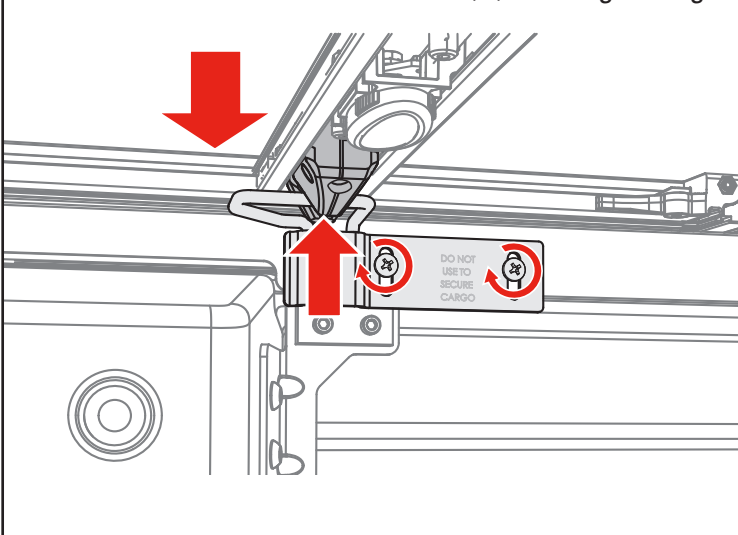
11 At the tailgate attach the striker brackets (J) to the mounting rails (B & C) by threading the screws (L) through the striker bracket (J), through the rail (B & C) and into the slide block (K).



12 Install the striker brackets (J) on both sides of the truck. Leave the screws (L) loose for later adjustments.

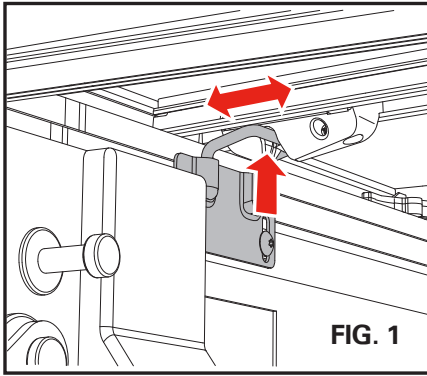


13 Close the bed cover (A), align the latch with the striker bracket (J) and tighten the screws (L) with a Phillips screwdriver. Push down on the cover (A) while tightening.



14 Adjustments and tightening of the latch assembly is required.

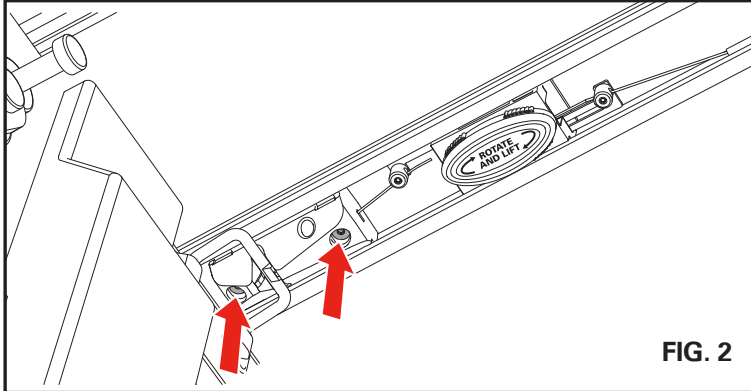
The bed cover latch assemblies and rotary knob come from the factory only partially tightened to allow for installation adjustments. Both latches and rotary knob will require adjustment and final tightening. **Only use the hand tools provided, do not use power tools.**



Lower the rear of the bed cover and adjust the position of each latch so that they engage with the striker brackets, (Fig. 1). With the latches adjusted, from underneath the cover, use the provided T-20 Torx wrench to tighten the two screws, (Fig. 2) in both the driver and passenger side latches.

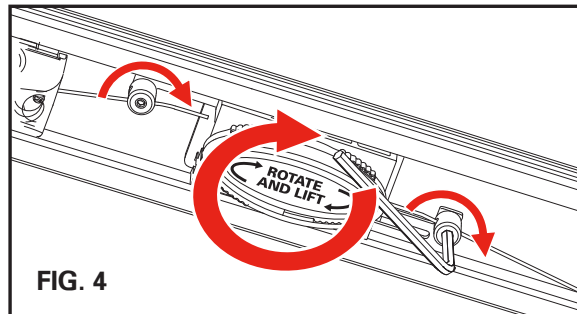
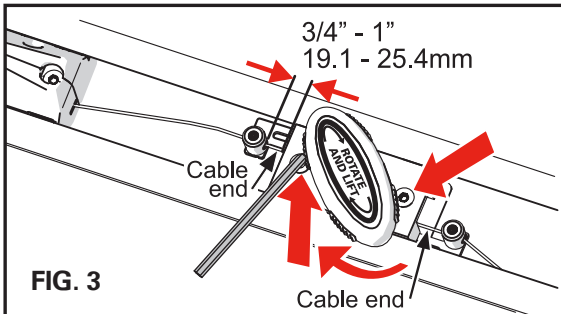
The cable from the driver's side latch comes routed through the barrel clamp of the actuator and hangs out. Slide the actuator so that 3/4" - 1" (19.1 - 25.4mm) of cable extends through the barrel clamp, (Fig. 3).

Rotate the actuator knob until you see the flat head screws. Tighten the two flat head screws using the provided T20 hex wrench, (Fig. 3).



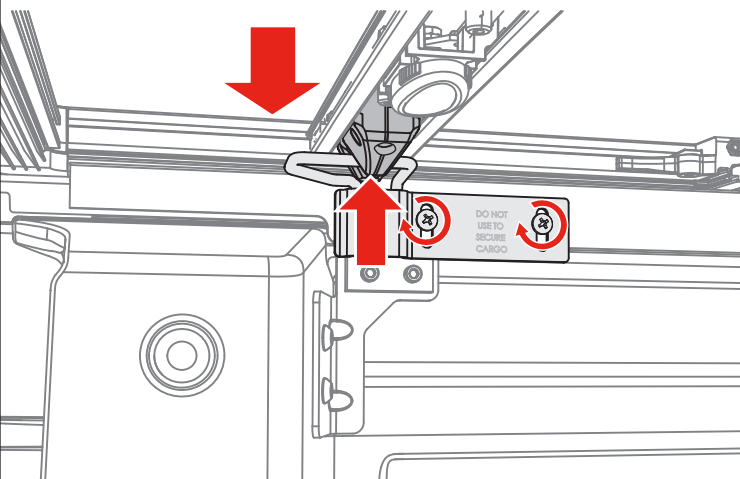
The cable from the passenger side latch comes routed through the other barrel clamp of the actuator. Excess cable length is routed through the middle of the actuator assembly (above the bottom plate below the plastic housing). Do not trim the excess cable, leave it for future adjustments, (Fig. 3).

Next, tighten the barrel clamps, (Fig. 4) with the provided 2.5mm hex key to secure the latch cables. Rotate the actuator knob, (Fig. 4) to verify that the latches disengage from the striker brackets.

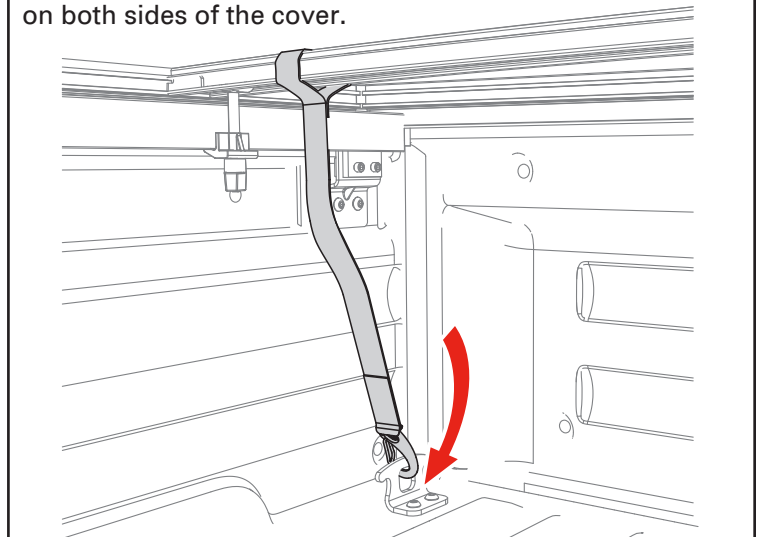


Double-check that the cover is secure and tight to the truck bed by gently lifting the corners to ensure the mechanisms are engaged.

15 To make the final adjustment, loosen the striker bracket screws. Then move the bracket down by firmly pulling the cover to the truck rail and tailgate. Make sure that both sides match, then retighten the screws.

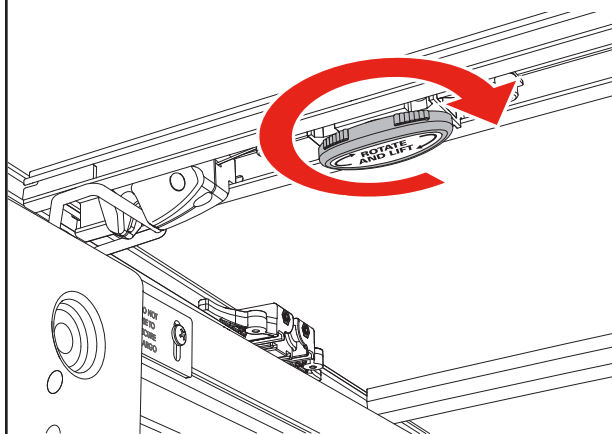


16 The tethers come installed looped over the bed cover bow with a snap hook at the other end. Hook the tether onto the truck bed tie-down. Install the tethers on both sides of the cover.



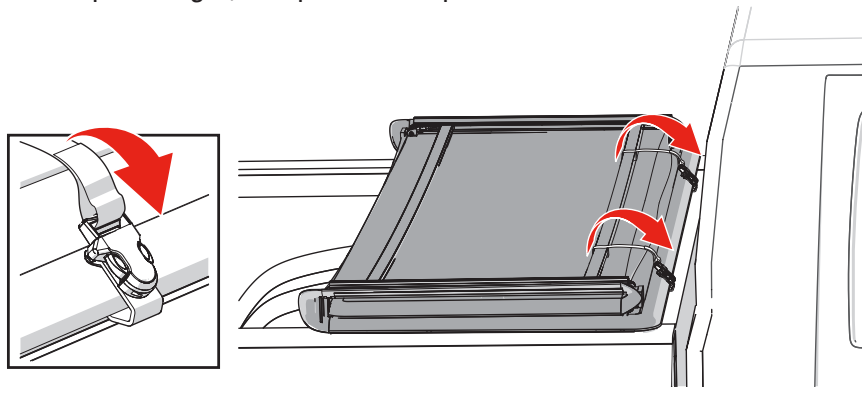
Opening the cover

Open the cover by twisting the actuator knob and lifting the cover.



Securing the cover

To drive with the cover open, fold the cover forward to the cab and fasten BOTH straps in the middle section to the front rail. Check that the straps are tight, and pull the strap end if too loose.



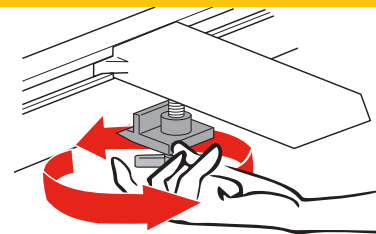
IMPORTANT

Re-tighten the front/cab clamps and tethers after the first week of driving the vehicle. Also periodically check the clamps and tethers to ensure they are secure.

Closed/Extended Position – Bed cover must be completely secured by all four (4) clamps.

Open/Folded Position – Bed cover must be completely folded up (all panels) and secured at the cab with the provided buckles straps and with both tethers attached.

Do NOT drive with the bed cover in a partially open position.



Do NOT allow the vehicle to be towed backwards without first removing the cover from the vehicle.

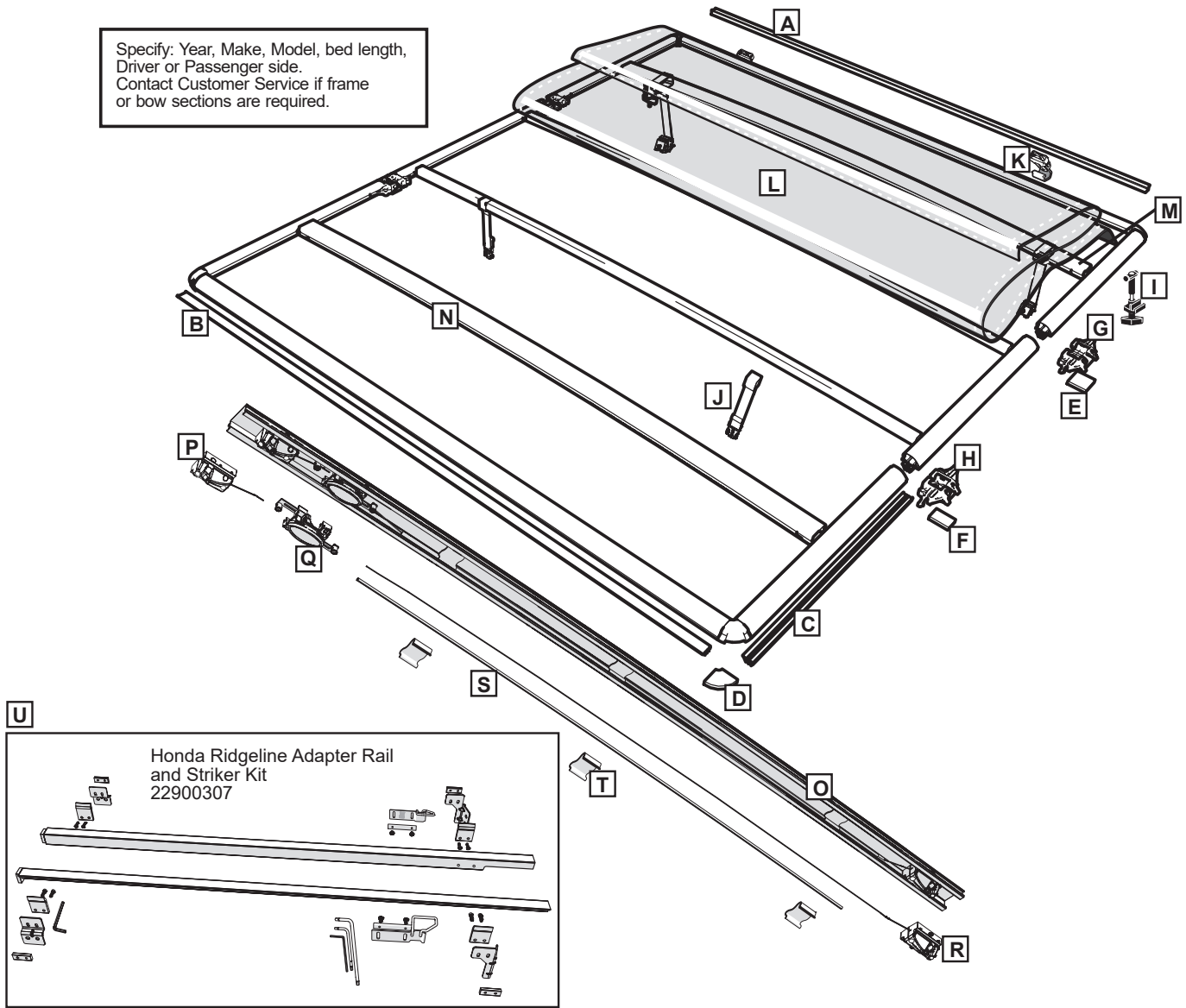


Remove any snow or foreign matter before folding the bed cover.

REPLACEMENT PARTS

Replacement parts can be ordered online at extang.com/replacement-parts or you can contact our Customer Service Department for assistance. When ordering, xxx represents the 3 digit suffix, as referenced on the sales receipt or vehicle application list.

Specify: Year, Make, Model, bed length, Driver or Passenger side.
Contact Customer Service if frame or bow sections are required.



Call Out	Title	Part Number	Description	Qty
A	Cab Seal	32002112	Single length seal (6"), hollow seal, cut to fit	1
B	Tailgate Seal	32563200	Single length seal, (68"), 4-fin, cut to fit	1
C	Side Rail Seal	32560368	Single length (68") Side Seal, one length will fit two panel sides, cut to fit, (there are 6 sides per cover). Two seals for 6' beds, three for longer beds.	1
D	Corner Seal	32440100	Measure for thickness- 0.375", 0.5", 0.75"	1
E	Hinge Seal, Cab	32920104	Seal only	1
F	Hinge Seal, Tail	32920102	Seal only	1
G	Cab Hinge	31442015	Seal not included, see item Hinge Seal, Cab (E)	1
H	Tail Hinge	31442005	Seal not included, see item Hinge Seal, Tail (F)	1
I	Cab Clamp	1034	Single clamp for the front/cab end	1
J	Tie Down Strap	54440400	Tie Down Strap (Short), with Male Buckle-fits 4 bow bed cover systems	1
J	Tie Down Strap	54720400	Tie Down Strap (Long), with Male Buckle-fits 3 bow bed cover systems	1
K	Buckle Assembly	31920120	Single Buckle assembly, w/Female Buckle, Front/cab end	1
L	Tarp	90590-20	Vinyl tarp only, ALX vinyl, call Customer Service to order	1
M	Cab Bow	90590-10	Disassembly and reassembly of the cover is required, call Customer Service to order	1
N	Tail Bow	90590-14	Disassembly and reassembly of the cover is required, call Customer Service to order	1
O	Bow Assembly	90590-67	Complete assembly including Latches, Actuator Assembly, cable/conduit, clips with a Rear Bow, call Customer Service to order	1
P	Latch Assembly	28900100	Assembly for driver side	1
Q	Actuator	28900102	Latch actuator assembly	1
R	Latch Assembly	28900101	Assembly for passenger side	1
S	Cable Conduit	31920003	Latch cable cover conduit only. Trimming length may be necessary.	1
T	Conduit Clips	35920202	Latch cable conduit clips	3
U	Rail and Striker Kit	22900307	Honda Ridgeline Adapter Rail and Striker Kit	1

LIMITED LIFETIME WARRANTY

The cover, including as applicable any hardware kit (e.g., rails, clamps, and bows) and fabric, carries a limited lifetime warranty. This limited warranty is subject to the following terms:

WARRANTY COVERAGE

This tonneau cover is warranted against defects in materials or workmanship. This warranty is void if the product has been damaged in an accident, or due to neglect, unforeseeable use, improper installation, improper servicing, or other cause not arising out of defects in material or workmanship.

WARRANTY IS NOT TRANSFERABLE

The warranty is to the initial owner purchasing the tonneau cover and it is not transferrable to a subsequent end user. Proof of purchase may be required to enforce the warranty rights.

WARRANTY CONDITIONS

Failure to follow these warnings and care instructions will void the warranty:

- Clean with mild automotive soap and water only.
- Do not use conditioners that contain silicone or petroleum (e.g., Armor All®).
- Tonneau cover must be secured at all points when vehicle is in motion. When not fully extended, cover must be completely folded up and secured at the cab with the provided buckle straps and tethers attached. Do NOT drive with the bed cover in a partially open position..
- Check front/cab clamps and retention mechanisms for tightness after a week of driving following installation (or re-installation) of the cover and periodically thereafter.
- Before opening, cover must be free of all foreign materials including snow and ice.
- To avoid potential damage to the cover, panel clamps/latches must be in their stored positions prior to opening/folding the panel.
- Do NOT tow your vehicle from the rear with the cover on your vehicle. If towing from the rear is required, the cover MUST be removed from the vehicle and properly stored.

WARRANTY PERFORMANCE

If all warranty conditions are met, a defective tonneau cover, tarp, or hardware component will either be repaired or replaced (at our option). We reserve the right, for any warranted return, to substitute a newer model of tonneau cover having similar form and function, to offer a warranty discount on an entire replacement system, and/or provide remedies other than those mentioned in this document.

WARRANTY PROCESS

A Return Authorization number must be obtained from our Customer Service Department prior to returning any product. We may require the original item to be returned postage prepaid for final determination. Shipping charges will apply for any repair or replacement. Other than postage or shipping charges, no charge will be made for repair or replacement under this warranty.

This warranty gives you specific legal rights. As an owner, you may also have additional rights and remedies under the laws of your state.

WARRANTY REGISTRATION

Warranty registration must be on file and/or proof of original purchase (detailed and dated receipt) required for warranty to be effective.

Register online at <https://realtruck.com/extang-warranty>

**REGISTER
YOUR
WARRANTY
ONLINE**



SOMETHING DAMAGED? MISSING PARTS?

CALL US FIRST
800-877-2588

WE CAN HELP YOU QUICKLY AND EASILY OVER THE PHONE

Experienced Customer Service staff are available
to answer all your truck bed cover questions

CUSTOMER SERVICE HOURS

8:30 a.m. TO 6:00 p.m. EST, MONDAY - FRIDAY

Truck bed cover model: _____

Purchase date: _____

Lot code: _____

Lot code can be found on the underside of cover.