

Any damaged or missing parts?

Parts will be shipped to you directly.

Call 800-877-2588, Mon - Fri, 8:30 a.m. - 6:00 p.m. EST

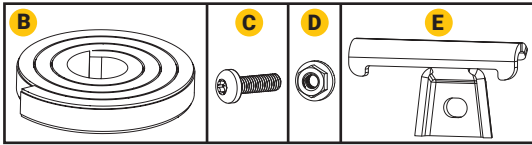
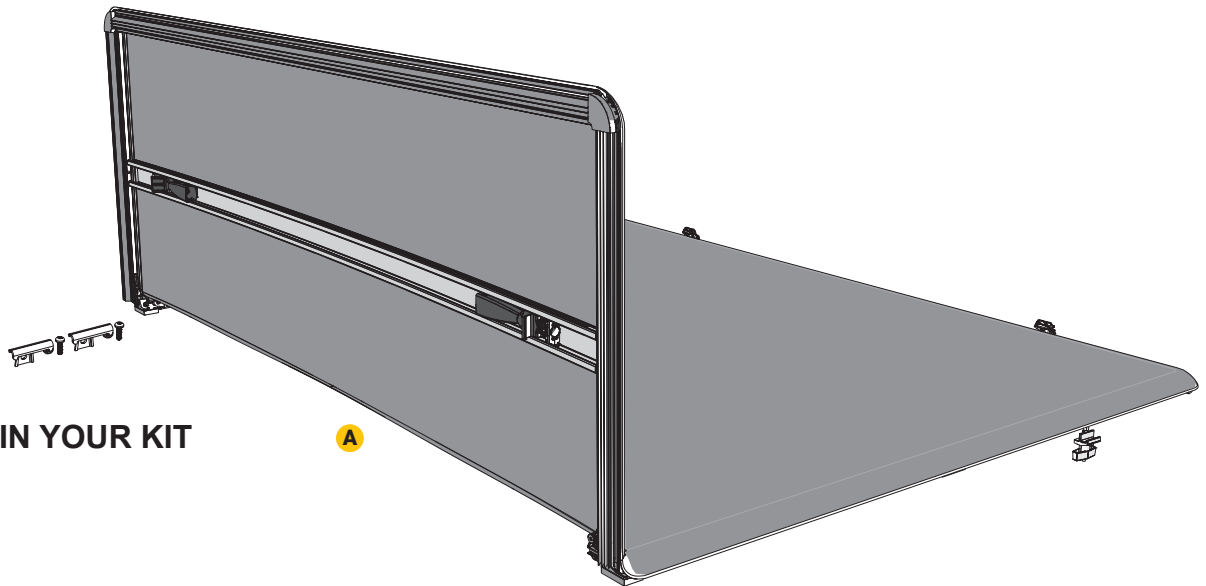
NOTE: It is important that all areas where the bed cover mounts are clean and free of debris prior to installing.

TOOLS REQUIRED

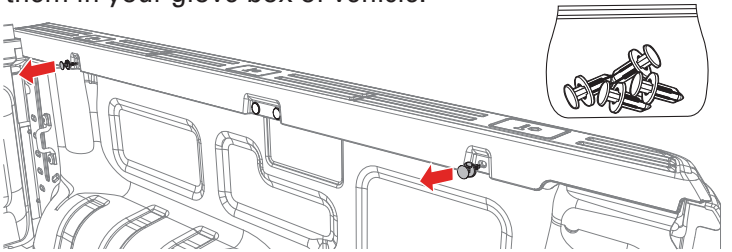
- Utility knife
- Isopropyl alcohol
- T-30 Torx bit

PARTS INCLUDED IN YOUR KIT

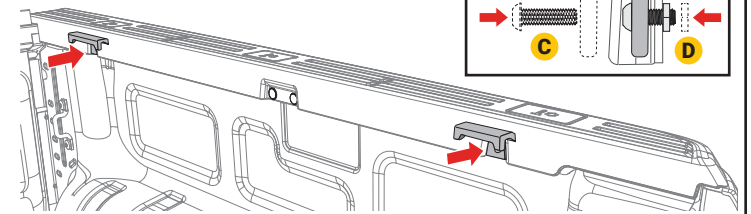
- A** Cover assembly
- B** 1x Bulkhead seal
- C** 4x Bolts
- D** 4x Nuts
- E** 4x Brackets



1 Remove the two corner plastic clips from the passenger and driver side bed caps as shown below. Pry out the center first, then pry out the entire clip. These will not be used again unless you permanently remove the bed cover assembly. Store clips in a plastic bag and put them in your glove box of vehicle.

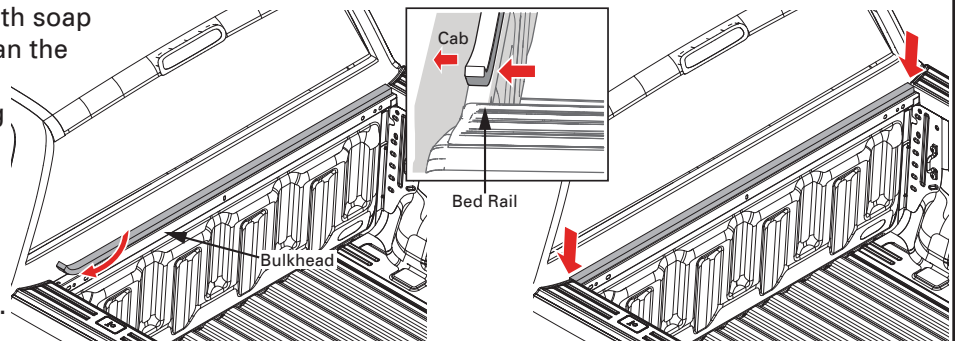


2 Install the brackets (E), bolts (C) and nuts (D) provided using a 30 Torx bit on passenger and driver side bed caps where you removed the two corner clips in step 1. Make sure the nut is behind the sheet metal. **Note:** Torque to 8ft/lbs (11 Nm).

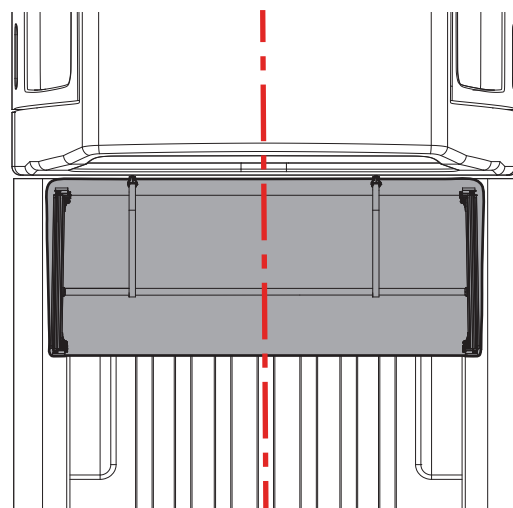
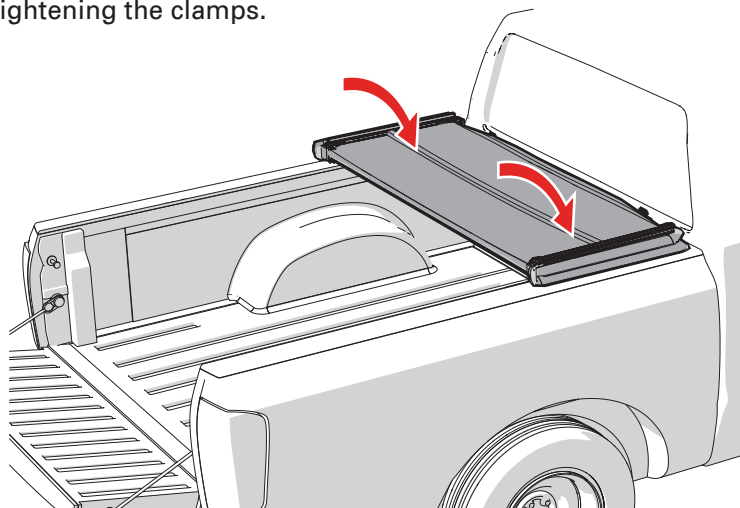


3 **INSTALL THE BULKHEAD SEAL.** Clean the top of the bulkhead where the seal will go with soap and water to remove dirt and debris. Then clean the same area with isopropyl alcohol to remove wax or grease and to evaporate any remaining water. Allow the surface to dry. Peel the backing paper from the seal (B) and apply pressure to the entire seal to make sure the adhesion is good. The seal should be flush with the front edge of the bulkhead and the seal should be snug between the bed rail caps.

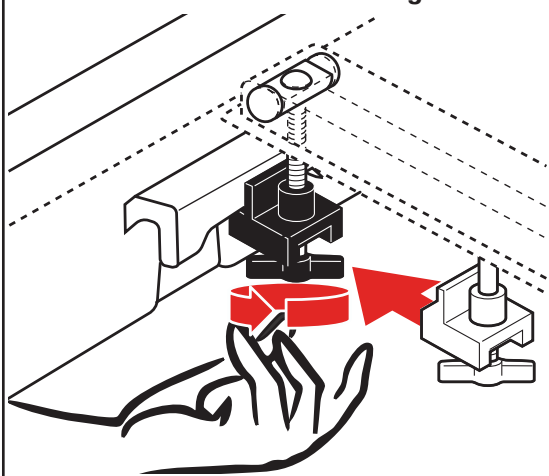
NOTE: Trimming of seal may be required.



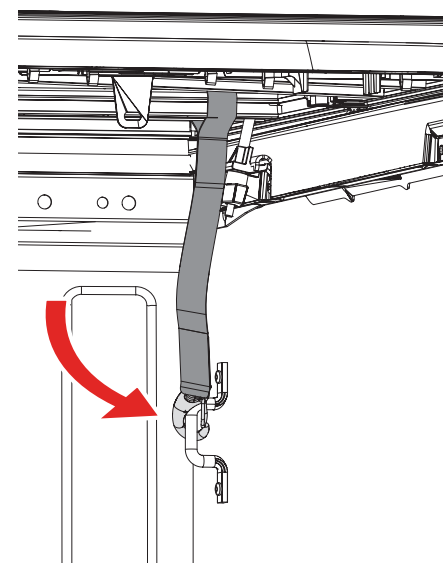
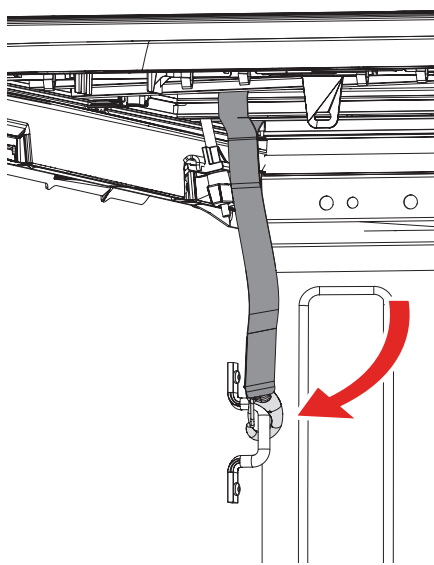
4 **INSTALLING COVER.** **Note:** Take care not to damage or deform the seals when installing the bed cover onto the truck bed. Visually check to ensure the front bed cover frame is even on both sides and square with the bed. Place the bed cover over the cab end and end of the truck bed. Make sure the cover is centered on the bed of the vehicle before tightening the clamps.



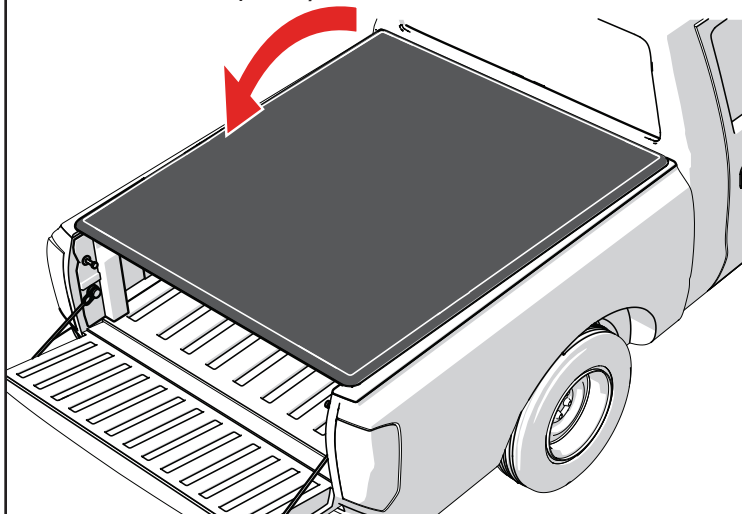
5 Ensure that the clamp is positioned under the previously installed bracket. Hand tighten until clamp contacts the bracket, then tighten an additional two turns. **DO NOT** secure to only the lip of the bedliner or the plastic bed cap. **DO NOT** use a wrench or overtighten!



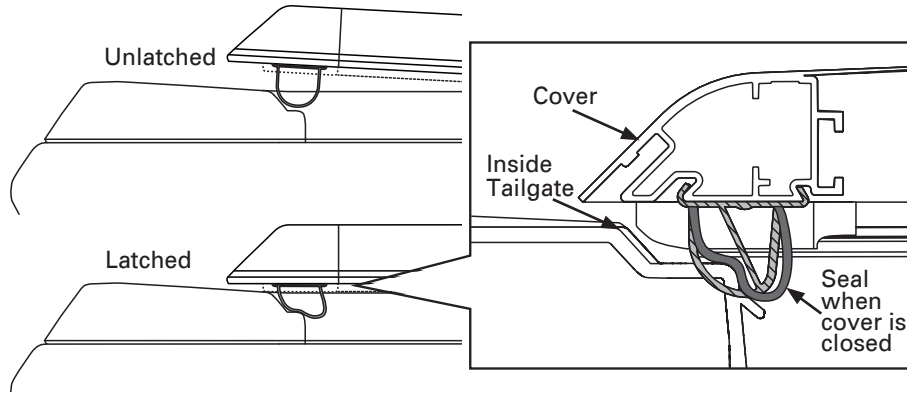
6 Attach the tether to the front tie-down on both the driver and passenger side.



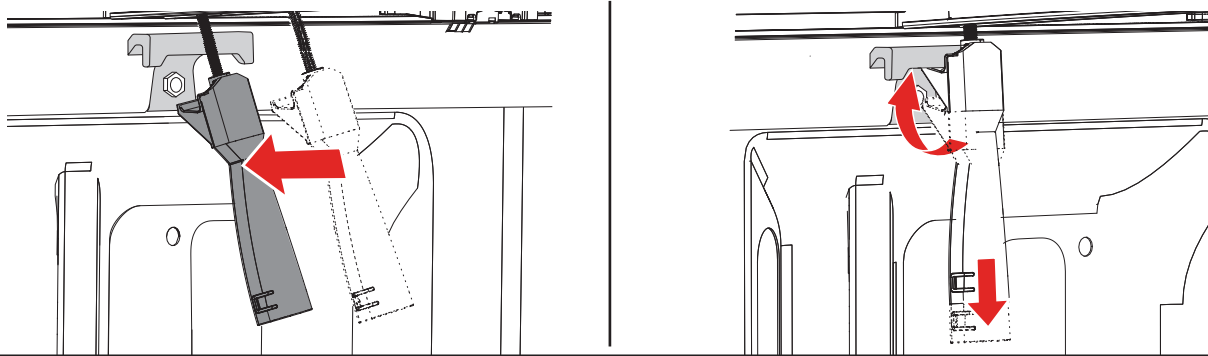
7 With the tailgate open and the front (cab) clamps secure, completely close the cover.



- 8** Close the tailgate and unfold the cover. Check that the cover is parallel and square with the truck bed and bedrails. Adjust the cover until the bulb seal fits with the tailgate as shown. If not parallel or square, open the cover and loosen the cab clamps to reposition the cover. If the cover is too far back the tailgate will not close.

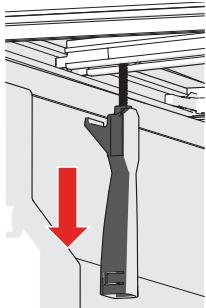


- 9** The rear (tail) clamps are stowed in the cover rail. Rotate the clamp down and slide it to the truck bed rail. The clamps should be slid, at a slight angle, as far over to the rail as possible. Pull the clamps straight down and release them to hook under the bottom of the metal bracket. Always latch the clamps on both sides of the bed.



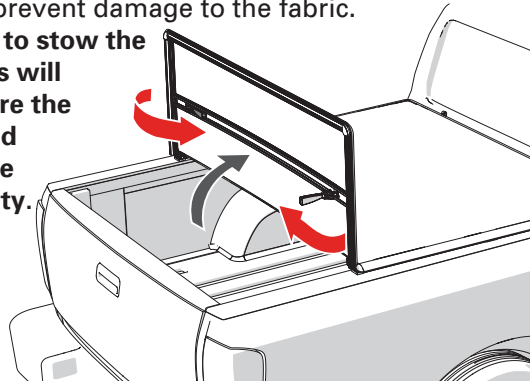
DRIVING WITH THE TONNEAU OPEN

Release the rear clamps and fold the cover forward.

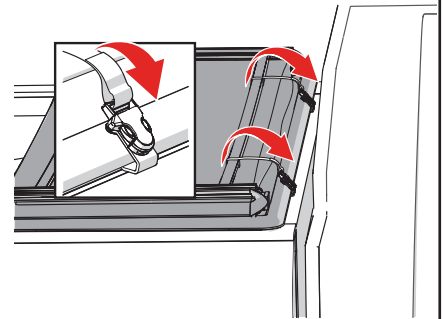


IMPORTANT: Before folding the second section of the cover, the rear clamps must be stowed into the rail to prevent damage to the fabric.

Failure to stow the handles will puncture the tarp and void the warranty.



Fold the cover forward and fasten the straps to the front rail. Check that the straps are tight



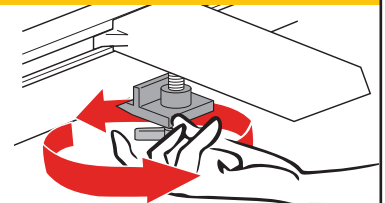
IMPORTANT

Re-tighten the front/cab clamps and tethers after the first week of driving the vehicle. Also periodically check the clamps and tethers to ensure they are secure.

Closed/Extended Position – Bed cover must be completely secured by all four (4) clamps.

Open/Folded Position – Bed cover must be completely folded up (all panels) and secured at the cab with the provided buckles straps and with both tethers attached.

Do NOT drive with the bed cover in a partially open position.



Do NOT allow the vehicle to be towed backwards without first removing the cover from the vehicle.



Remove any snow or foreign matter before folding the bed cover.

LIMITED LIFETIME WARRANTY

The cover, including as applicable any hardware kit (e.g., rails, clamps, and bows) and fabric, carries a limited lifetime warranty. This limited warranty is subject to the following terms:

WARRANTY COVERAGE

This tonneau cover is warranted against defects in materials or workmanship. This warranty is void if the product has been damaged in an accident, or due to neglect, unforeseeable use, improper installation, improper servicing, or other cause not arising out of defects in material or workmanship.

WARRANTY IS NOT TRANSFERABLE

The warranty is to the initial consumer purchasing the tonneau cover and it is not transferrable to a subsequent end user. Proof of purchase may be required to enforce the warranty rights.

WARRANTY CONDITIONS

Failure to follow these warnings and care instructions will void the warranty:

- Clean with mild automotive soap and water only.
- Do not use conditioners that contain silicone or petroleum.
- Tonneau cover must be secured at all points when vehicle is in motion. When not fully extended, cover must be completely folded up and secured at the cab with the provided buckle straps and tethers attached. Do NOT drive with the bed cover in a partially open position..
- Check front/cab clamps and retention mechanisms for tightness after a week of driving following installation (or re-installation) of the cover and periodically thereafter.
- Before opening, cover must be free of all foreign materials including snow and ice.
- To avoid potential damage to the cover, panel clamps/latches must be in their stored positions prior to opening/folding the panel.
- Do NOT tow your vehicle from the rear with the cover on your vehicle. If towing from the rear is required, the cover MUST be removed from the vehicle and properly stored.

WARRANTY PERFORMANCE

If all warranty conditions are met, a defective tonneau cover, tarp, or hardware component will either be repaired or replaced (at our option). We reserve the right, for any warranted return, to substitute a newer model of tonneau cover having similar form and function, to offer a warranty discount on an entire replacement system, and/or provide remedies other than those mentioned in this document.

WARRANTY PROCESS

A Return Authorization number must be obtained from our Customer Service Department prior to returning any product. We may require the original item to be returned postage prepaid for final determination. Shipping charges will apply for any repair or replacement. Other than postage or shipping charges, no charge will be made for repair or replacement under this warranty.

This warranty gives you specific legal rights. As a consumer, you may also have additional rights and remedies under the laws of your state.

WARRANTY REGISTRATION

Warranty registration must be on file and/or proof of original purchase (detailed and dated receipt) required for warranty to be effective.

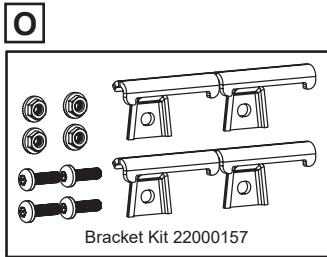
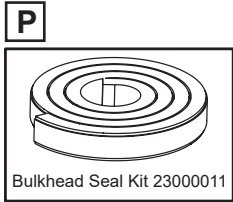
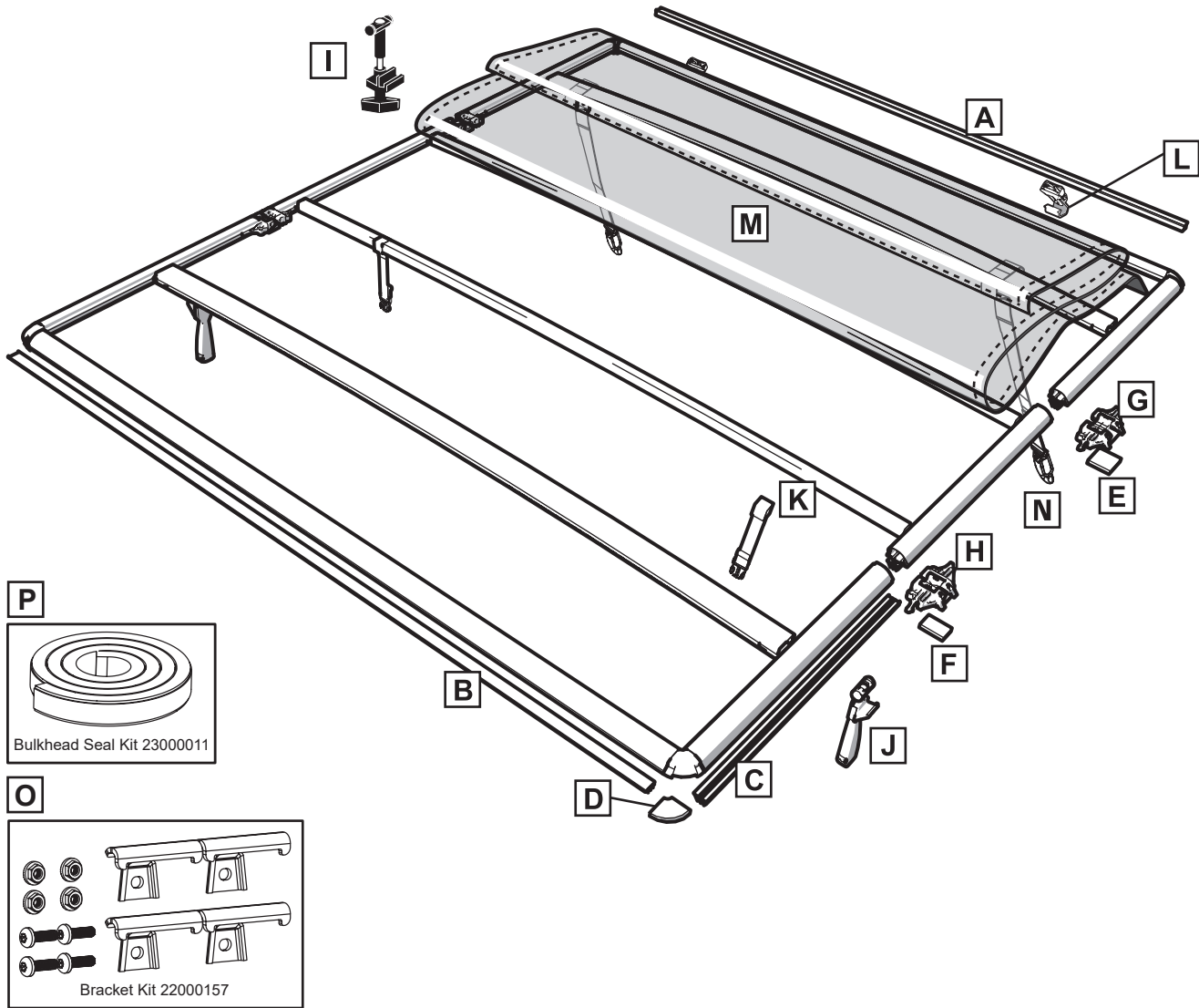
Register online at <https://realtruck.com/extang-warranty>

**REGISTER
YOUR
WARRANTY
ONLINE**



REPLACEMENT PARTS

Replacement parts can be ordered online at extang.com/replacement-parts or you can contact our Customer Service Department for assistance. When ordering, xxx represents the 3 digit suffix, as referenced on the sales receipt or vehicle application list.



Call Out	Title	Part Number	Description	Application	Qty
A	Cab Seal	32002112	Single length seal (6'), hollow seal, cut to fit	Most vehicles	1
B	Tail Seal	32000118	Single length seal, (68"), Bulb, cut to fit	2024+, Ranger	1
C	Side Seal	32000685	Single length (68") Riser Side Seal, one length will fit two panel sides, cut to fit (there are 6 sides per cover). Two seals for 6' beds, three for longer beds.	Most vehicles	1
D	Corner Seal	92xxx-19	Measure for thickness- 0.375", 0.5", 0.75"	Call Customer Service with xxx suffix referenced per vehicle	1
D	Corner Seal	93xxx-19	Measure for thickness- 0.375", 0.5", 0.75"	Call Customer Service with xxx suffix referenced per vehicle	1
D	Corner Seal	94xxx-19	Measure for thickness- 0.375", 0.5", 0.75"	Call Customer Service with xxx suffix referenced per vehicle	1
E	Cab Hinge Seal	32920104	Seal only, 0.25" Large Hinge Pad	Measure thickness or call Customer Service with xxx suffix reference	1
E	Cab Hinge Seal	32440401	Seal only, 0.375" Large Hinge Pad	Measure thickness or call Customer Service with xxx suffix reference	1
F	Tailgate Hinge Seal	32920102	Seal only, 0.25" Small Hinge Pad	Measure thickness or call Customer Service with xxx suffix reference	1
F	Tailgate Hinge Seal	32440402	Seal only, 0.375" Small Hinge Pad	Measure thickness or call Customer Service with xxx suffix reference	1
G	Cab Hinge Assembly	31442015	Seal not included, see item Cab Hinge Seal (E)	Most vehicles	1
H	Tailgate Hinge Assembly	31442005	Seal not included, see item Tailgate Hinge Seal (F)	Most vehicles	1
I	Cab Clamp Assembly	1034	Single clamp for the cab side	Most vehicles	1
J	Tail Clamp	31003005	Single EZ Lock Clamp for the tailgate side	Most Vehicles	1
K	Tie Down Strap	54440400	(Short) Tie Down Strap, w/Male Buckle-fits 4 bow bed cover systems	Most Vehicles	1
K	Tie Down Strap	54720400	(Long) Tie Down Strap, w/Male Buckle-fits 3 bow bed cover systems	Most vehicles	1
L	Buckle Assembly	31920120	Single Buckle assembly, w/Female Buckle	Most vehicles	1
M	Tarp	92xxx-20	Vinyl tarp only, Trifecta 2.0 vinyl	Call Customer Service with xxx suffix referenced per vehicle	1
M	Tarp	94xxx-20	Vinyl tarp only, Trifecta Signature Series vinyl	Call Customer Service with xxx suffix referenced per vehicle	1
N	Tether	22000028	Tether kit including 2 tether straps and 2 hooks	2024+, Ranger	1
O	Front Bracket Kit	22000157	A kit including 4 brackets, with 4 bolts and 4 nuts	2024+, Ranger	1
P	Bulkhead Seal Kit	23000011	Seal kit contains a bulkhead seal	2024+, Ranger	1

SOMETHING DAMAGED? MISSING PARTS?

CALL US FIRST
800-877-2588

WE CAN HELP YOU QUICKLY AND EASILY OVER THE PHONE

Experienced Customer Service staff are available
to answer all your truck bed cover questions

CUSTOMER SERVICE HOURS

8:30 a.m. TO 6:00 p.m. EST, MONDAY - FRIDAY

Truck bed cover model: _____

Purchase date: _____

Lot code: _____

Lot code can be found on the underside of cover.