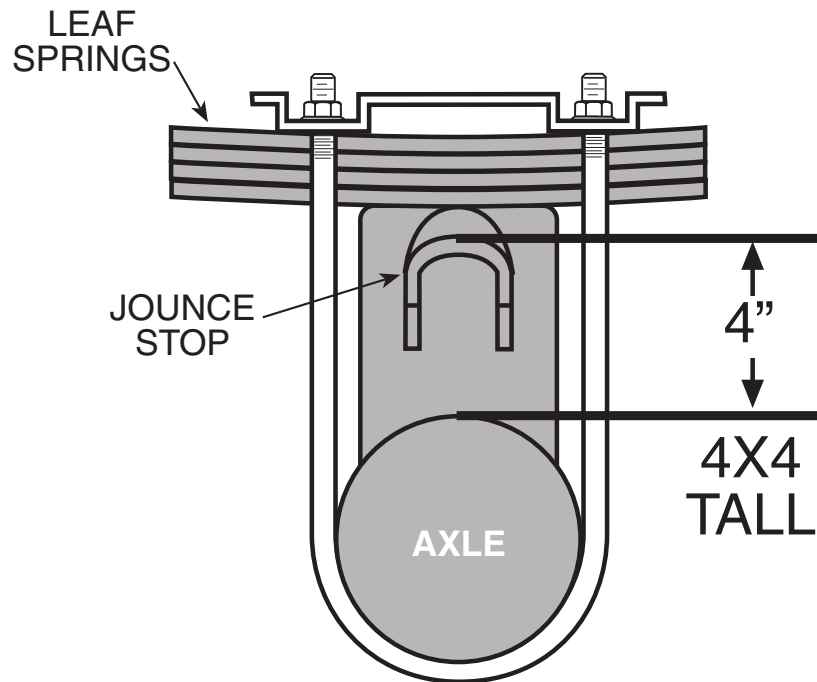
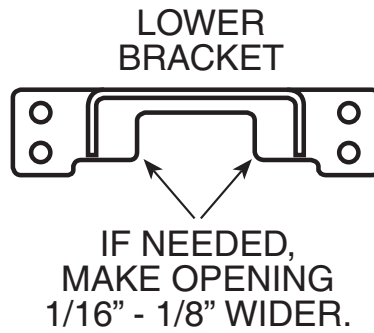


Notice:

**4X4 FORD
SUPER DUTY**



On some models with the tall jounce bumper stop, the lower bracket will have to be modified to fit level with the axle.

The opening of the lower bracket will have to be made a 1/16" to an 1/8" wider, where the bracket contacts the jounce stop, to make the bracket level with the axle.

